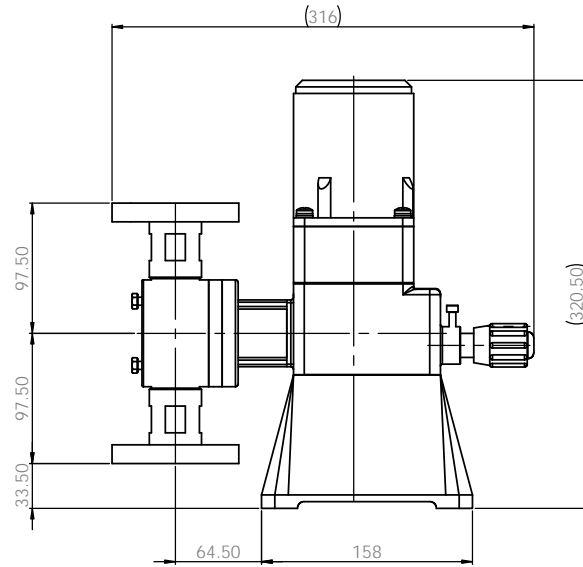
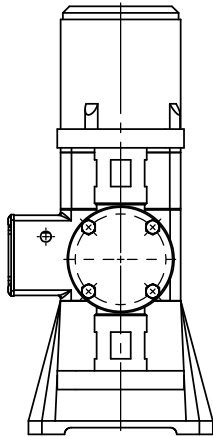
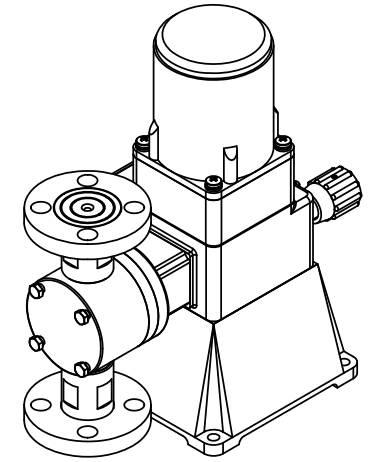
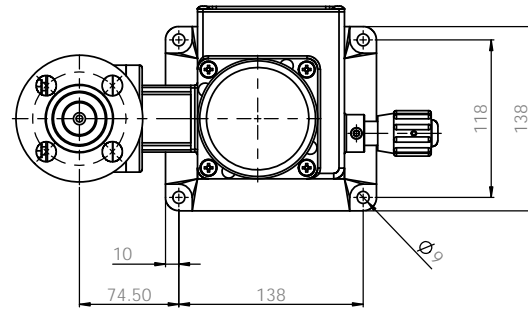


Note
 1. Model : GE100
 2. Material : PP / PVDF
 3. Connection : Hose

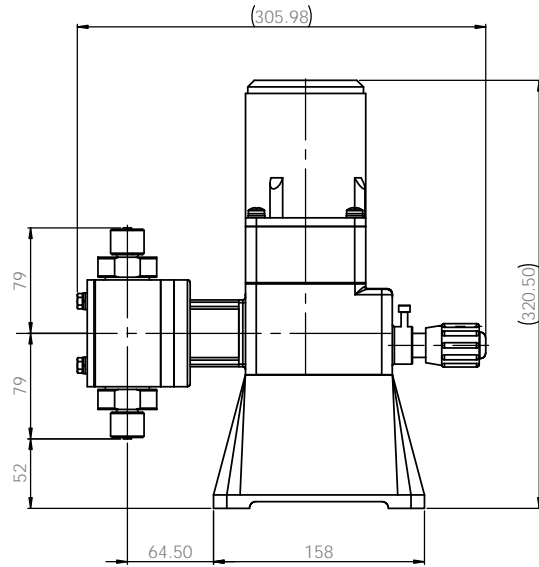
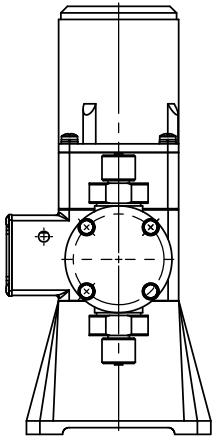
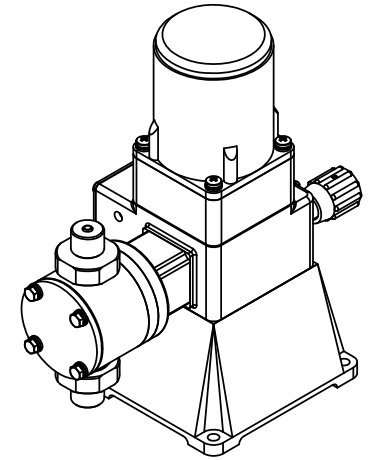
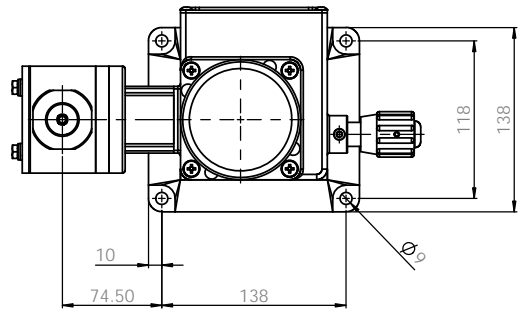
ALL DIMENSIONS SPECIFIED UNLESS OTHERWISE SPECIFIED DIMENSIONS ARE IN MILLIMETERS TOLERANCES: HORIZONTAL ANGULAR		FINISH BRASS AND BRASS SHARP POLISH	DO NOT SCALE DRAWING REVISION
DRAWN: W. PARK CHECK: W. PARK APPROV: S.C. KIM DATE: 2020.02.21 DATE: 2020.02.21 DATE: 2020.02.21		TITLE PUMP ASSEMBLY-DIM GE100PCH-H06	SHEET NO. T1000E1005A A1
E.W.A.		MATERIAL PVC	SCALE 1:1 SHEET 1 OF 1



Note
 1. Model : GE100
 2. Material : PP / PVDF
 3. Connection : Flange

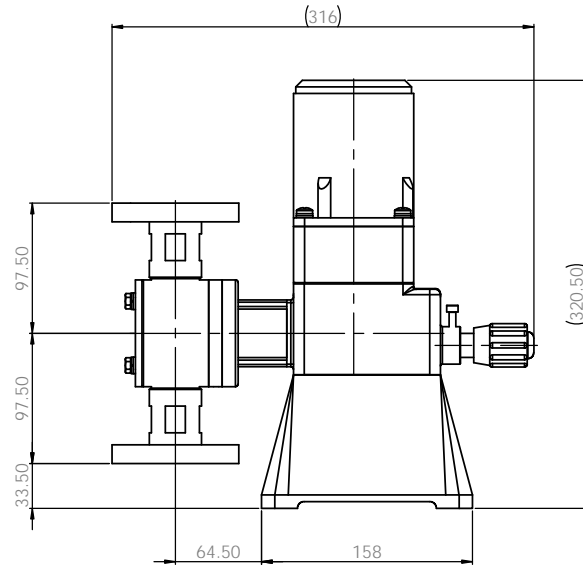
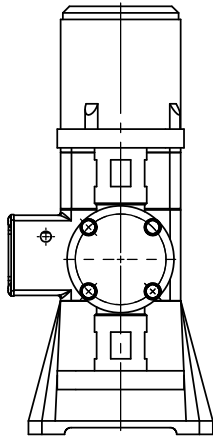
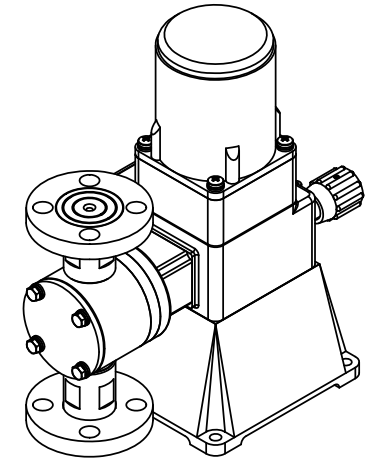
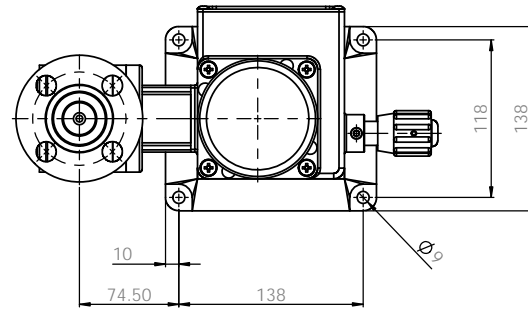
REVISIONS				EQUIVALENT		DO NOT SCALE DRAWING		REVISION	
NO.	DATE	BY	CHKD	NO.	DATE	NO.	DATE	NO.	DATE
01	2020.02.21	W. PAK		01					
02	2020.02.21	W. PAK		02					
03	2020.02.21	S.C. KHA		03					
04				04					
05				05					
06				06					
07				07					
08				08					
09				09					
10				10					
11				11					
12				12					
13				13					
14				14					
15				15					
16				16					

PUMP ASSEMBLY-DIM				EQUIVALENT		DO NOT SCALE DRAWING		REVISION	
GE100PCF-KS 10K 15A FF				PVC		T1000E1006A		A1	
SCALE 1:1				SHEET 1 OF 1					



Note
 1. Model : GE100
 2. Material : PTFE
 3. Connection : Hose

ALL DIMENSIONS SPECIFIED UNLESS OTHERWISE SPECIFIED DIMENSIONS ARE IN MILLIMETERS TOLERANCES: HOLE: ±0.05 ANGULAR: ±0.5°			FINISH: BRASS AND BRASS SHARP EDGE	DO NOT SCALE DRAWING REVISION:
DRAWN: W. PARK CHECK: W. PARK APPROV: S.C. KIM DATE: 2018.02.21 DATE: 2018.02.21 DATE: 2018.02.21			TITLE: PUMP ASSEMBLY-DIM GE100TCH-H06	E-WHA CHEMICAL FEEDER CO., LTD. SHEET NO. T1004E1005A SCALE: 1:1 SHEET 1 OF 1



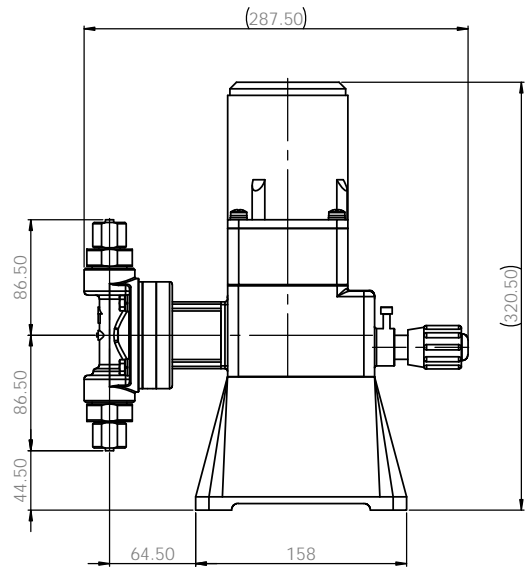
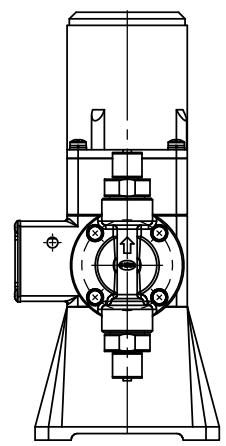
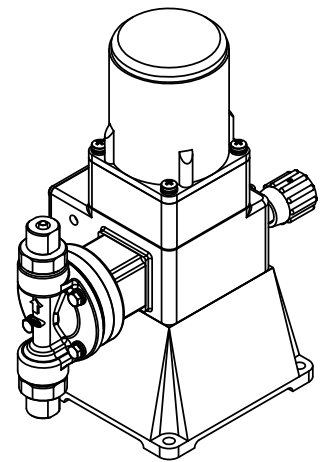
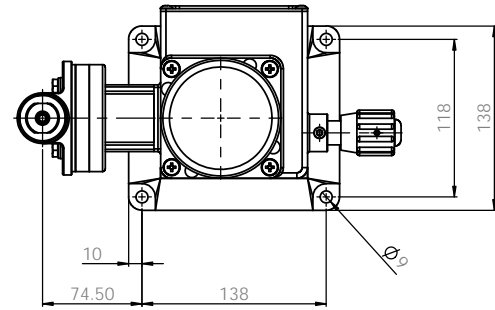
Note
 1. Model : GE100
 2. Material : PTFE
 3. Connection : Flange

REVISIONS			DATE		BY		CHECKED		APPROVED		MATERIAL		SCALE		SHEET	
01	W. PARK	2024.02.21										PTFE	T1004E1006A	A1	1	1
02	W. PARK	2024.02.21														
03	S.C. KIM	2024.02.22														

E-WHA CHEMICAL FEEDER CO., LTD.

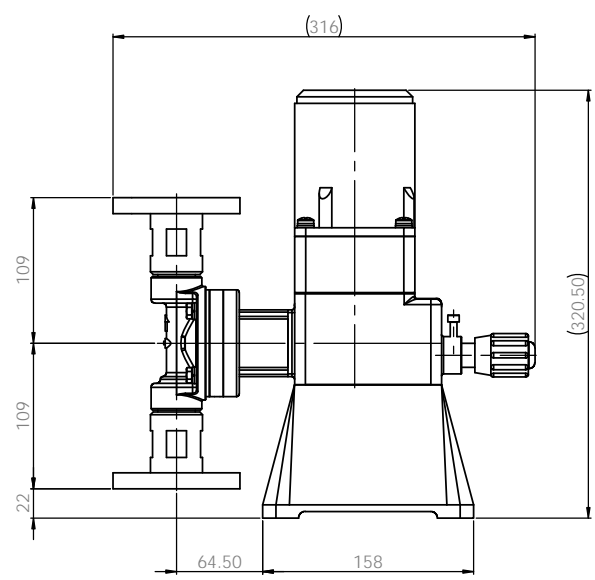
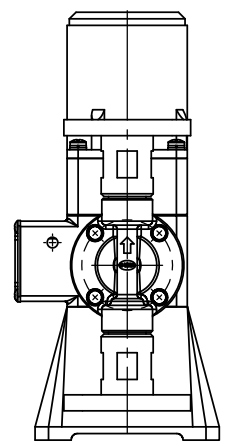
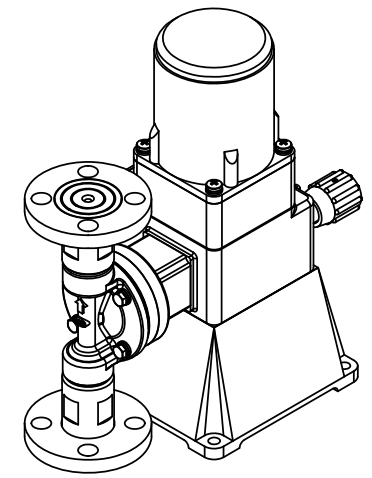
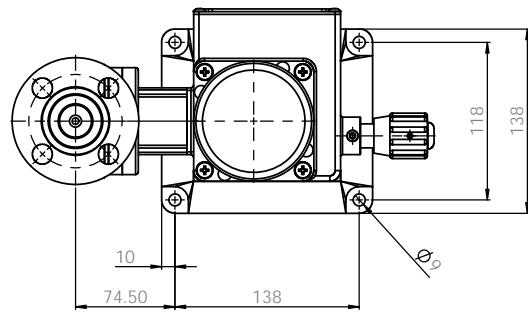
PUMP ASSEMBLY-DIM
 GE100TCF-KS 10K 15A FF

T1004E1006A



Note
 1. Model : GE100
 2. Material : Stainless steel
 3. Connection : Hose

ALL DIMENSIONS SPECIFIED UNLESS OTHERWISE SPECIFIED DIMENSIONS ARE IN MILLIMETERS TOLERANCES: FINISH: ANGULAR		FINISH	EDGE AND BREAK SHARP EXCEPT	DO NOT SCALE DRAWING	REVISION
DRAWN: W. PARK CHECK: W. PARK APPROV: S.C. KIM DATE: 2020.02.21 DATE: 2020.02.21 DATE: 2020.02.21		DATE:	DATE:	DATE:	DATE:
E.I.A.		MATERIAL: SUS304	DWG NO: T1001E1005A	SCALE: 1:1	SHEET 1 OF 1
E-WHA CHEMICAL FEEDER CO., LTD.					PUMP ASSEMBLY-DIM GE100S4S4H-H06



Note

1. Model : GE100
2. Material : Stainless steel
3. Connection : Flange

ALL DIMENSIONS SPECIFIED UNLESS OTHERWISE SPECIFIED DIMENSIONS ARE IN MILLIMETERS TOLERANCES UNLESS SPECIFIED: FINISH: ANGULAR		FINISH: BEVEL SHARP EXCEL	DO NOT SCALE DRAWING REVISION
DRAWN: W. PARK CHECK: W. PARK APPROV: S.C. KIM DATE: 2020.02.21 DATE: 2020.02.21 DATE: 2020.02.22	DATE: 2020.02.21 DATE: 2020.02.21 DATE: 2020.02.22	MATERIAL: SUS304	DRAWING NO: T1001E1006A
E-WHA CHEMICAL FEEDER CO., LTD.		PUMP ASSEMBLY-DIM GE100S4S4F-KS10K 15A	A1