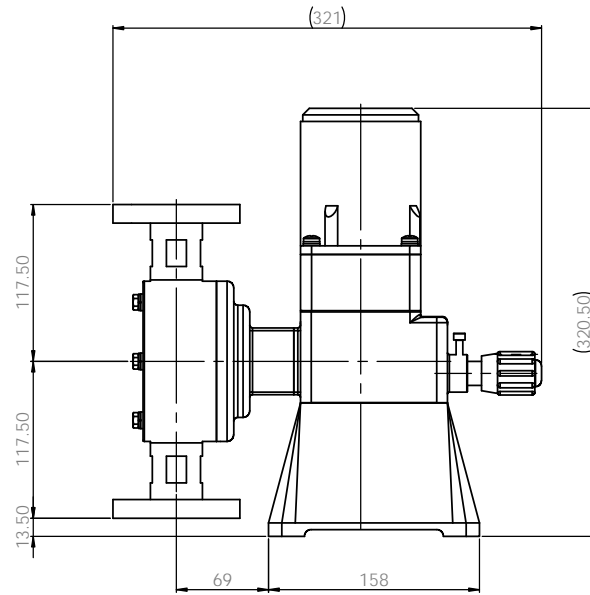
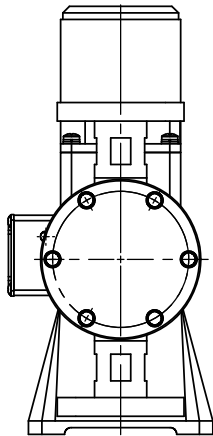
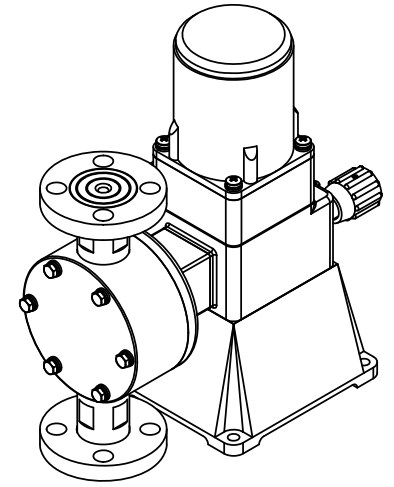
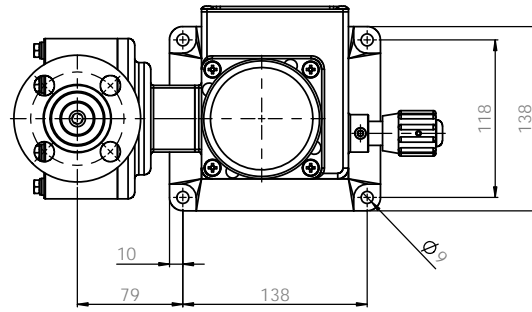


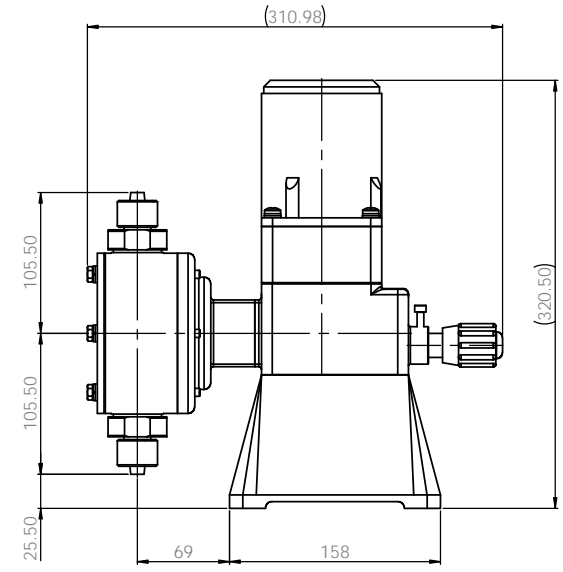
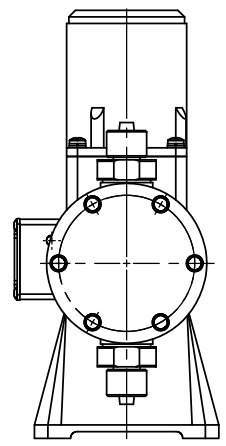
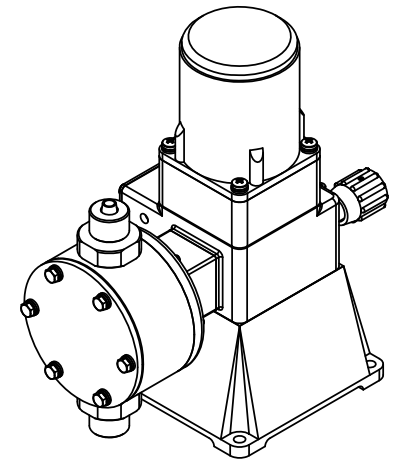
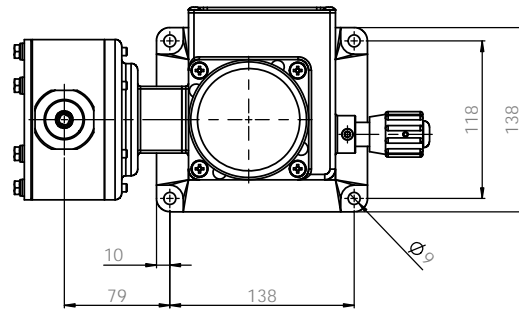
Note
 1. Model : GE1000
 2. Material : PP / PVDF
 3. Connection : Hose

ALL DIMENSIONS SPECIFIED UNLESS OTHERWISE SPECIFIED DIMENSIONS ARE IN MILLIMETERS DIMENSIONS: LINEAR ANGULAR			FINISH		SURFACE AND BREAK SHARP EDGES		DO NOT SCALE DRAWING		REVISION	
DRAWN: W. PARK CHECK: W. PARK APPROV: S.C. KIM DATE: 2020.02.21 DATE: 2020.02.21 DATE: 2020.02.22			DESIGNED: W. PARK DATE: 2020.02.21		MATERIAL: PVC		DWG. NO.: T1000E1011A		SHEET 1 OF 1	



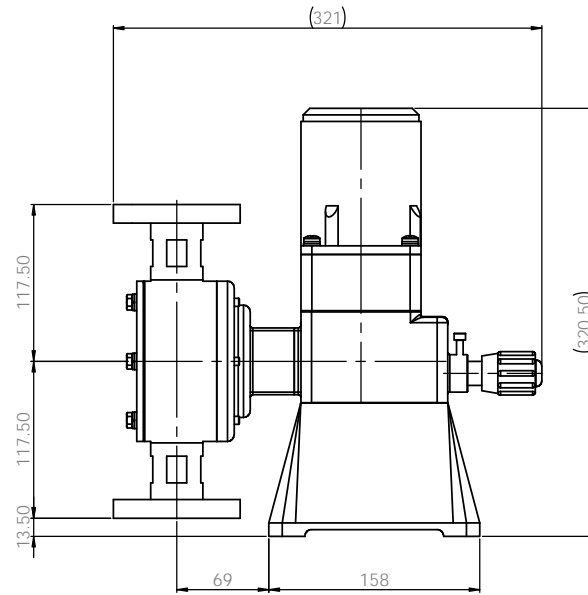
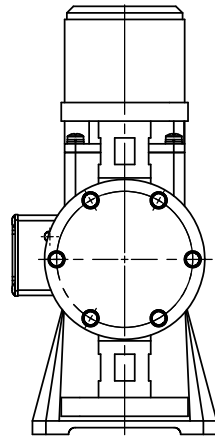
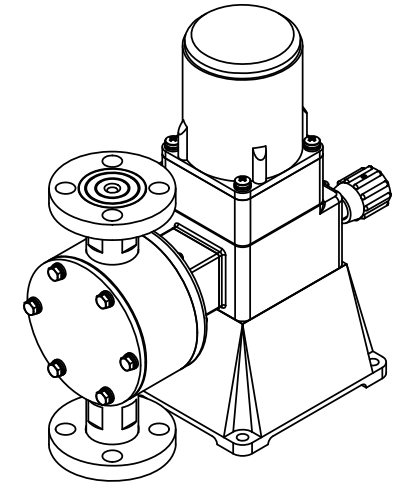
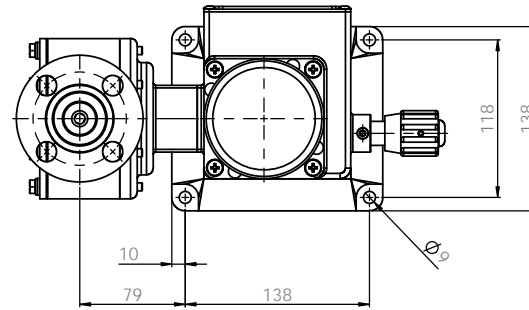
Note
 1. Model : GE1000
 2. Material : PP / PVDF
 3. Connection : Flange

ALL DIMENSIONS SPECIFIED UNLESS OTHERWISE SPECIFIED DIMENSIONS ARE IN MILLIMETERS TOLERANCES: FINISH: ANGULAR:			FINISH: BRASS AND BRASS SHARP EDGE	DO NOT SCALE DRAWING REVISION:
DRAWN: W. PARK CHECK: W. PARK APPROV: S.C. KIM DATE: 2020.02.21 DATE: 2020.02.21 DATE: 2020.02.21	DESIGNED: W. PARK DATE: 2020.02.21	MATERIAL: PVC	PART NO.: T1000E1012A	SHEET NO.: A1
E-WHA CHEMICAL FEEDER CO., LTD. PUMP ASSEMBLY-DIM GE1000PCF-KS 10K 15A FF			SCALE: 1:1	SHEET 1 OF 1



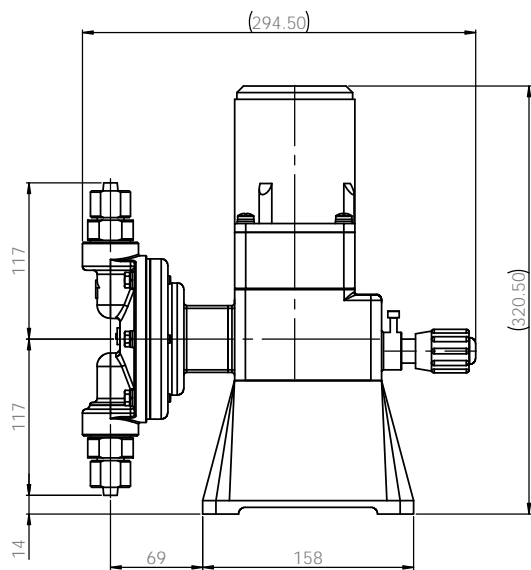
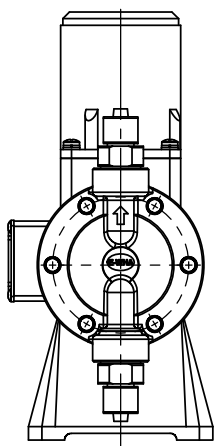
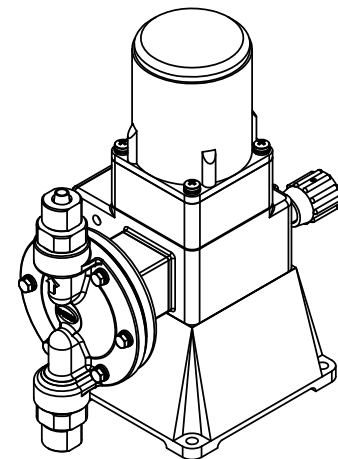
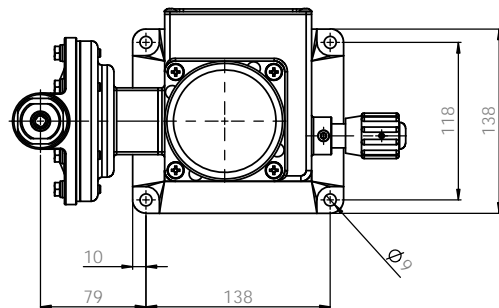
Note
 1. Model : GE1000
 2. Material : PTFE
 3. Connection : Hose

ALL DIMENSIONS SPECIFIED UNLESS OTHERWISE SPECIFIED DIMENSIONS ARE IN MILLIMETERS UNLESS INDICATED OTHERWISE			FINISH		EDGE AND BREAK SHARP ENDS		DO NOT SCALE DRAWING		REVISION	
TOLERANCES UNLESS OTHERWISE SPECIFIED			DRAWN		CHECKED		DATE		E-WHA CHEMICAL FEEDER CO., LTD.	
DIMENSIONS			DATE		DATE		DATE		PUMP ASSEMBLY-DIM	
LINEAR			2024.02.21		2024.02.21		2024.02.21		GE1000TCH-H10	
ANGULAR			2024.02.21		2024.02.21		2024.02.21		T1004E1011A	
MATERIAL			PTFE		DIMENSION		SCALE 1:1		A1	
REVISION			SCALE 1:1		SHEET 1 OF 1					



Note
 1. Model : GE1000
 2. Material : PTFE
 3. Connection : Flange

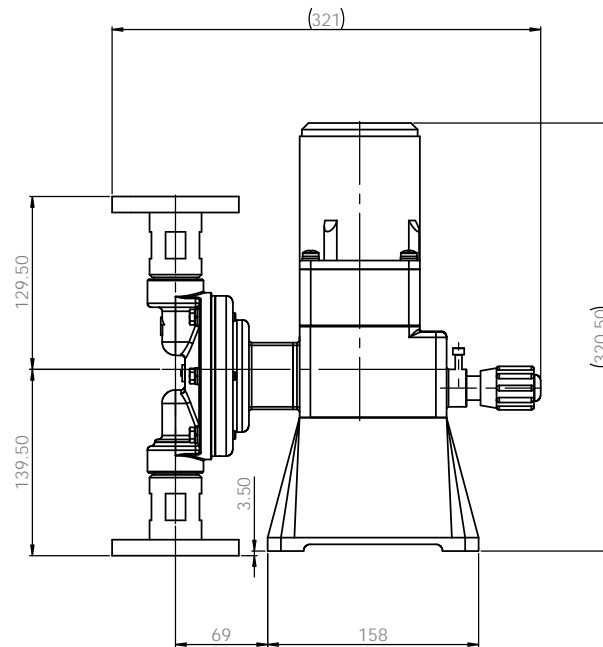
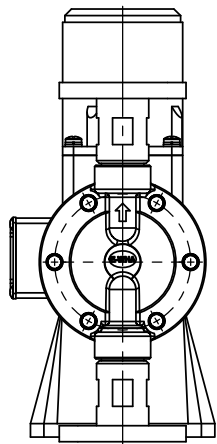
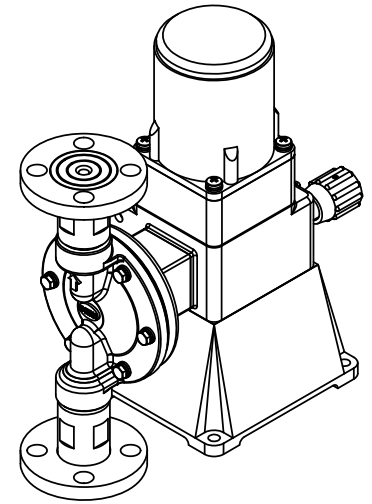
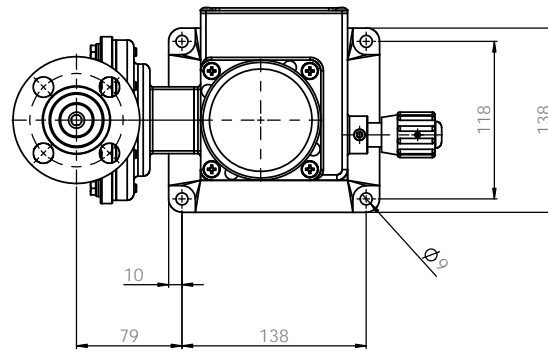
ALL DIMENSIONS SPECIFIED UNLESS OTHERWISE SPECIFIED DIMENSIONS ARE IN MILLIMETERS TOLERANCES: HORIZONTAL ANGULAR			FINISH BRASS AND BRASS SHARP EDGE	DO NOT SCALE DRAWING REVISION
DRAWN W. PARK DATE 2010.02.21	CHECKED W. PARK DATE 2010.02.21	DESIGNED S.C. KIM DATE 2010.02.21	MATERIAL PTFE	E-WHA CHEMICAL FEEDER CO., LTD. PUMP ASSEMBLY-DIM GE1000TCF-KS 10K 15A FF T1004E1012A A1
SCALE 1:1 SHEET 1 OF 1				



Note
 1. Model : GE1000
 2. Material : Stainless steel
 3. Connection : Hose

REVISIONS			DATE		BY		CHECKED		APPROVED		SCALE		SHEET	
1	W. PARK	2024.02.21												
2	W. PARK	2024.02.21												
3	S.C. KIM	2024.02.21												

ALL DIMENSIONS SPECIFIED UNLESS OTHERWISE SPECIFIED DIMENSIONS ARE IN MILLIMETERS TOLERANCES: FINISH: ANGULAR:				DWG NO. T1001E1012A		TITLE PUMP ASSEMBLY-DIM GE1000S4S4F-KS10K 15A		SCALE 1:1		SHEET NO. 1 OF 1	
MATERIAL SUS304				DWG NO. T1001E1012A		TITLE PUMP ASSEMBLY-DIM GE1000S4S4F-KS10K 15A		SCALE 1:1		SHEET NO. 1 OF 1	



Note

1. Model : GE1000
2. Material : Stainless steel
3. Connection : Flange

ALL DIMENSIONS SPECIFIED UNLESS OTHERWISE SPECIFIED DIMENSIONS ARE IN MILLIMETERS UNLESS INDICATED OTHERWISE		FINISH		EDGE AND BREAK SHARP ENDS		DO NOT SCALE DRAWING		REVISION	
DATE	BY	DATE	BY	DATE	BY	DATE	BY	DATE	BY
2024.02.21	W. PARK	2024.02.21	W. PARK	2024.02.21	S.C. KIM				
2024.02.21	W. PARK	2024.02.21	W. PARK	2024.02.21	S.C. KIM				
2024.02.21	S.C. KIM	2024.02.21	S.C. KIM	2024.02.21	S.C. KIM				
D/A		MATERIAL		SUS304		DWG. NO.		T1001E1012A	
E-WHA CHEMICAL FEEDER CO., LTD.		SCALE 1:1		SHEET 1 OF 1				A1	