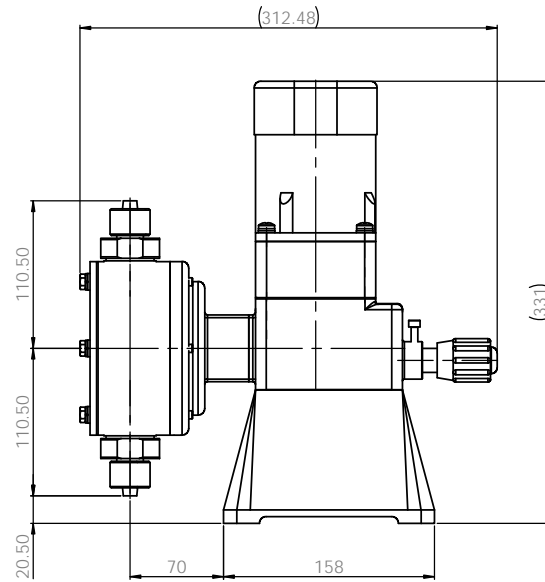
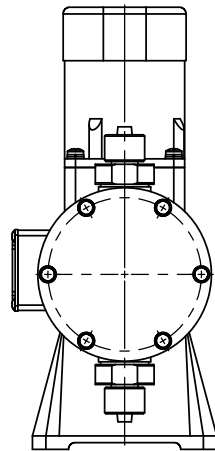
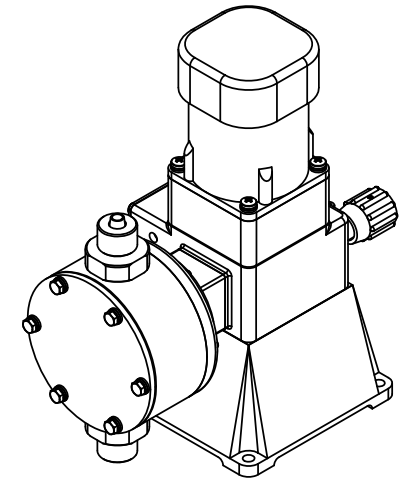
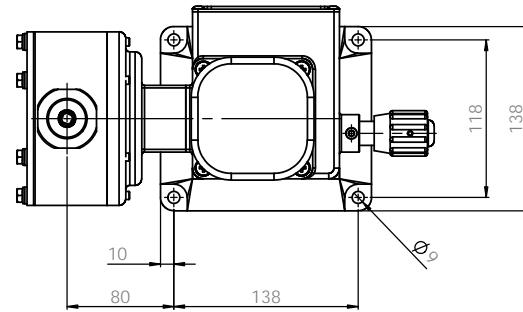


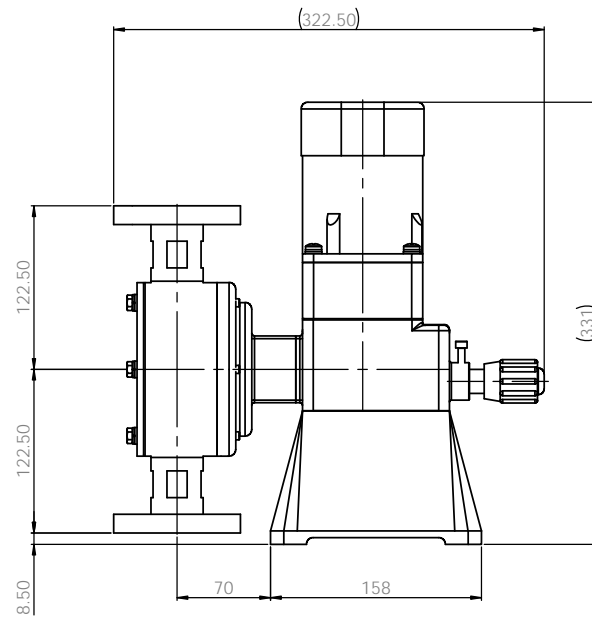
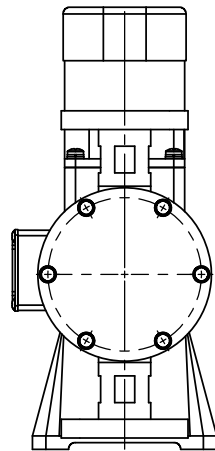
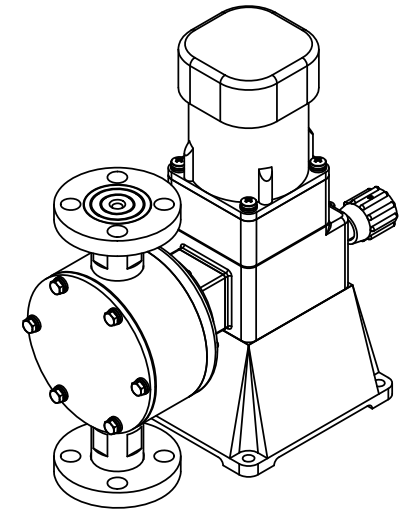
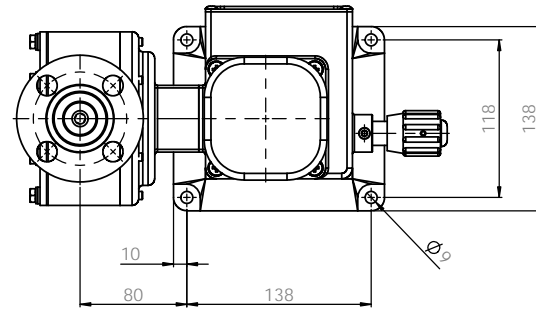
Note
 1. Model : GE2000
 2. Material : PP / PVDF
 3. Connection : Hose

ALL DIMENSIONS SPECIFIED UNLESS OTHERWISE SPECIFIED DIMENSIONS ARE IN MILLIMETERS		FINISH		EDGE AND BREAK SHARP ENDS		DO NOT SCALE DRAWING		REVISION	
TOLERANCES UNLESS OTHERWISE SPECIFIED		ANGULAR						E-WHA CHEMICAL FEEDER CO., LTD.	
DATE	BY	DATE	BY	DATE	BY	DATE	BY	DATE	BY
2020.02.21	W. PARK	2020.02.21	W. PARK	2020.02.21	S.C. KIM	2020.02.21		2020.02.21	
DRAWN : W. PARK		CHECKED : W. PARK		APPROVED : S.C. KIM		MATERIAL : PVC		DWG. NO. : T1000E1013A	
DATE : 2020.02.21		BY : W. PARK		DATE : 2020.02.21		BY : S.C. KIM		SCALE : 1:1	
SHEET NO. : 1		TOTAL SHEETS : 1		SHEET 1 OF 1					



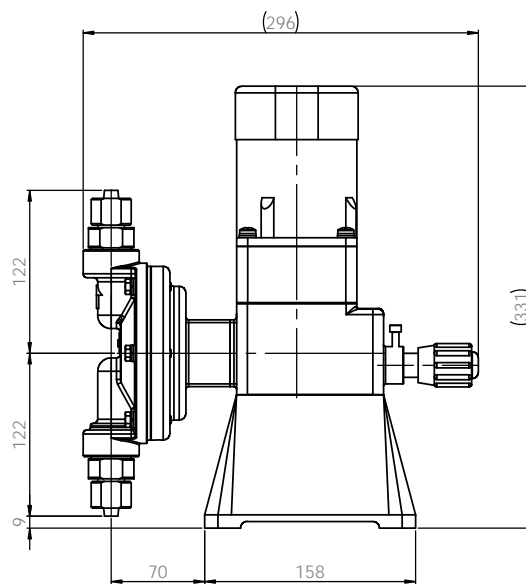
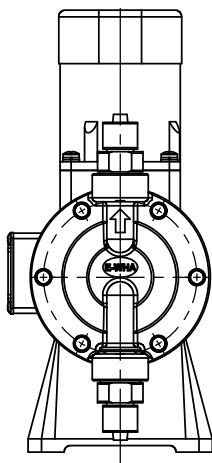
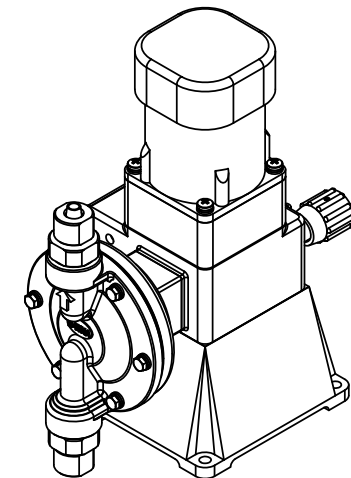
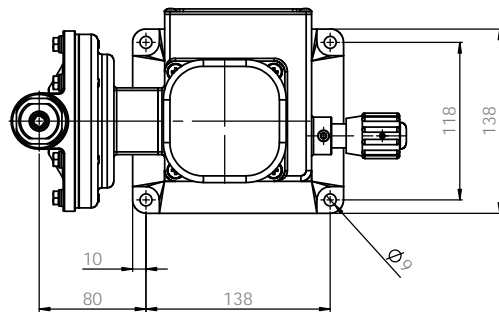
Note
 1. Model : GE2000
 2. Material : PTFE
 3. Connection : Hose

PUMP ASSEMBLY SPECIFIED DIMENSIONS ARE IN MILLIMETERS UNLESS OTHERWISE SPECIFIED				FINISH		EDGE AND BREAK SHARP ENDS		DO NOT SCALE DRAWING		REVISION	
DATE	BY	CHKD	APP'D	DATE	BY	DATE	BY	DATE	BY	DATE	BY
2020.02.21	W. PARK	2020.02.21		2020.02.21							
2020.02.21	W. PARK	2020.02.21		2020.02.21							
2020.02.21	S.C. KIM	2020.02.21		2020.02.21							
2020.02.21	W. PARK	2020.02.21		2020.02.21							
MATERIAL				PTFE		DIMENSION		T1004E1013A		A1	
SCALE 1:1				SHEET 1 OF 1		E-WHA CHEMICAL FEEDER CO., LTD.		PUMP ASSEMBLY-DIM GE2000TCH-H10			



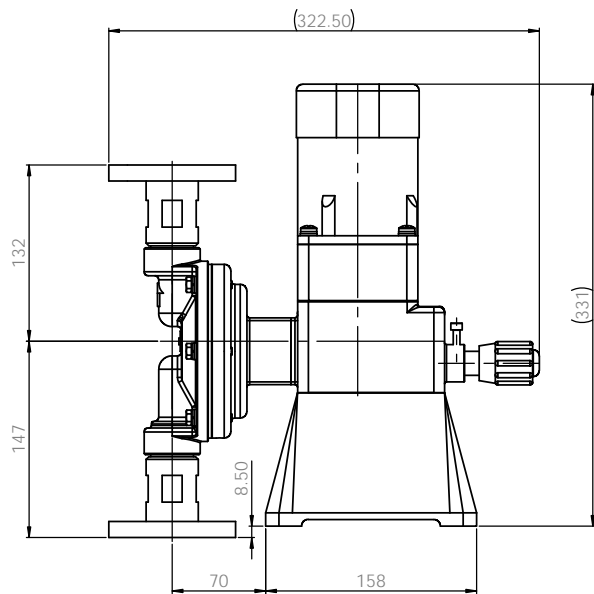
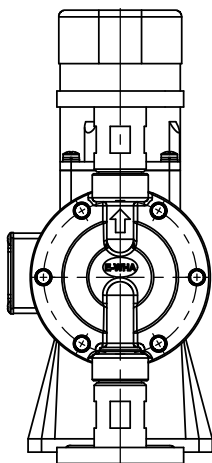
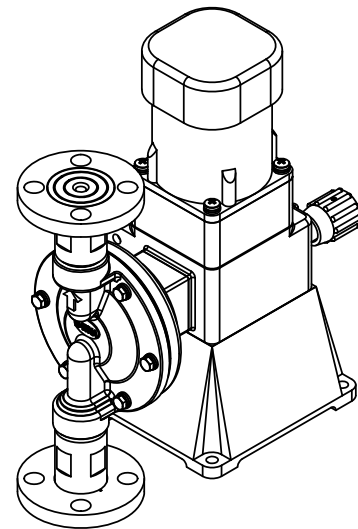
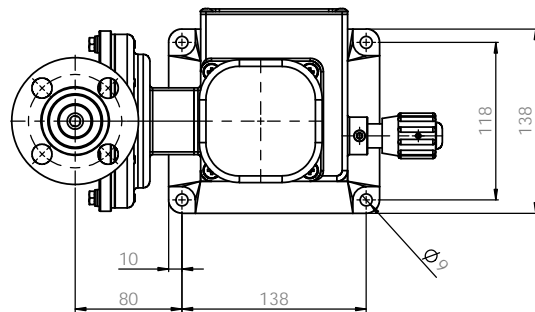
Note
 1. Model : GE2000
 2. Material : PTFE
 3. Connection : Flange

ALL DIMENSIONS SPECIFIED UNLESS OTHERWISE SPECIFIED DIMENSIONS ARE IN MILLIMETERS TOLERANCES: HORIZONTAL ANGULAR		FINISH BRASS AND BRASS SHARP ENDS	DO NOT SCALE DRAWING REVISION
DRAWN: W. PARK CHECK: W. PARK APPROV: S.C. KIM DATE: 2010.02.21 DATE: 2010.02.21 DATE: 2010.02.21	DESIGNED: W. PARK DATE: 2010.02.21	MATERIAL: PTFE	E-WHA CHEMICAL FEEDER CO., LTD. PUMP ASSEMBLY-DIM GE2000TCF-KS 10K 15A FF T1004E1014A A1



Note
 1. Model : GE2000
 2. Material : Stainless steel
 3. Connection : Hose

ALL DIMENSIONS SPECIFIED UNLESS OTHERWISE SPECIFIED DIMENSIONS ARE IN MILLIMETERS UNLESS INDICATED OTHERWISE		FINISH		EDGE AND BREAK SHARP ENDS		DO NOT SCALE DRAWING		REVISION	
TOLERANCES UNLESS OTHERWISE SPECIFIED		MATERIAL		SUS304		E-WHA CHEMICAL FEEDER CO., LTD.			
DATE	BY	DATE	BY	DATE	BY	DATE	BY	DATE	BY
2020.02.21	W. PARK	2020.02.21	W. PARK	2020.02.21	S.C. KIM	2020.02.21		2020.02.21	
DRAWN : W. PARK		CHECKED : W. PARK		APPROVED : S.C. KIM		DATE : 2020.02.21		SCALE : 1:1	
TITLE : PUMP ASSEMBLY-DIM		PART NO. : T1001E1013A		SHEET NO. : A1		SHEET TOTAL : 1 OF 1			



Note
 1. Model : GE2000
 2. Material : Stainless steel
 3. Connection : Flange

ALL DIMENSIONS SPECIFIED UNLESS OTHERWISE SPECIFIED DIMENSIONS ARE IN MILLIMETERS TOLERANCES: FINISH: ANGULAR:			FINISH: BRUSH BRUSH GRAB POLISH	DO NOT SCALE DRAWING REVISION:
DATE: 2020.02.22 DRAWN: W. PARK CHECK: W. PARK APPROV: S.C. KIM INCH:			DATE: 2020.02.22 DATE: 2020.02.22 DATE: 2020.02.22	E-WHA CHEMICAL FEEDER CO., LTD. PUMP ASSEMBLY-DIM GE2000S4S4F-KS10K 15A
Dwg. No. T1001E1014A Scale: 1:1 Sheet: 1 of 1			Material: SUS304	Revision: A1