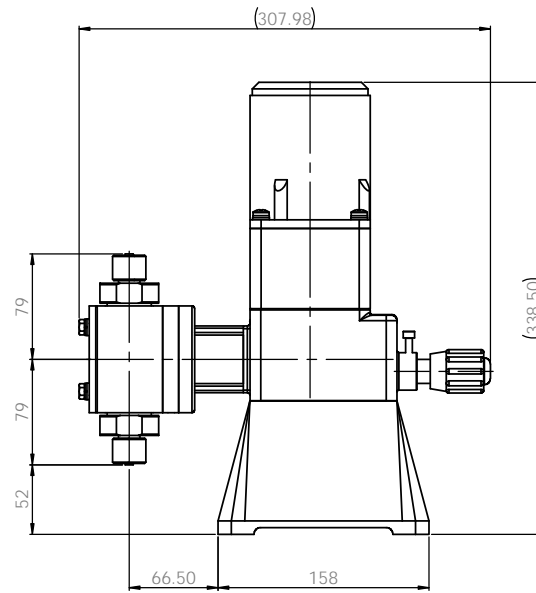
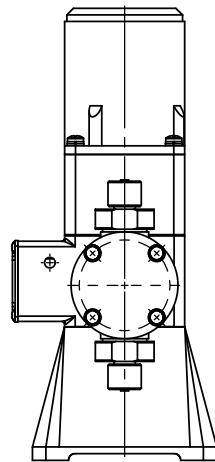
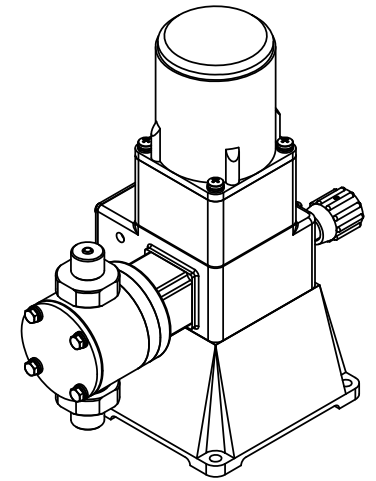
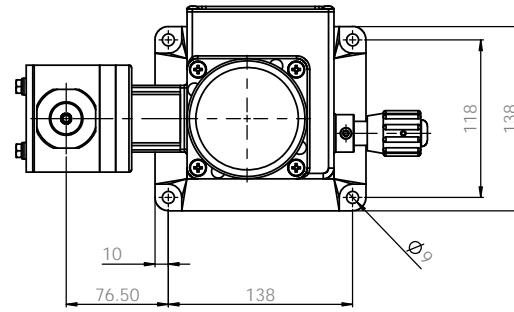


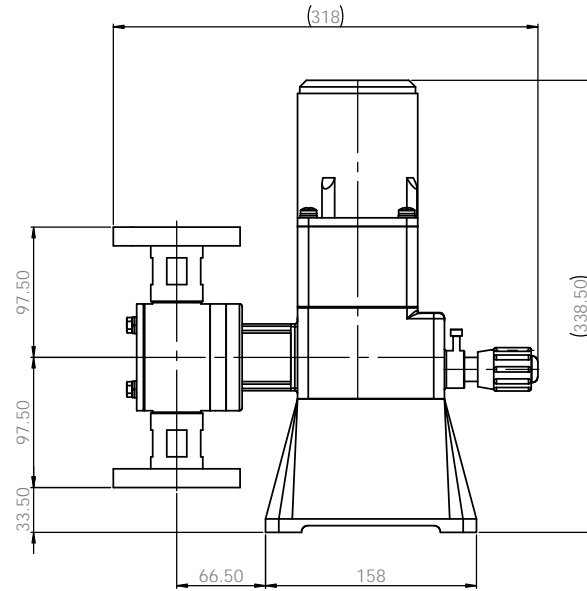
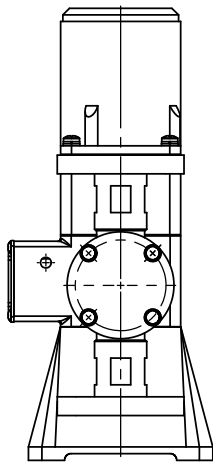
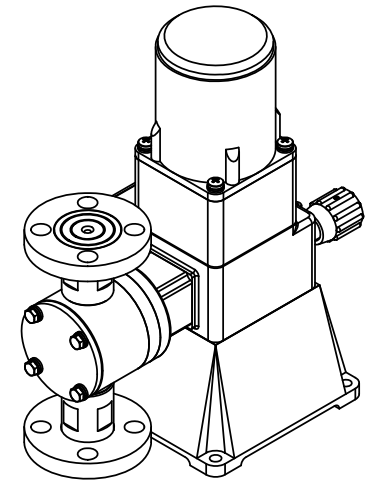
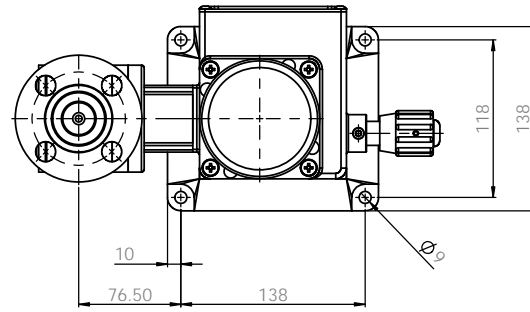
Note
 1. Model : GE25
 2. Material : PP / PVDF
 3. Connection : Hose

ALL DIMENSIONS SPECIFIED UNLESS OTHERWISE SPECIFIED DIMENSIONS ARE IN MILLIMETERS TOLERANCES: FRACTIONS DECIMALS ANGULAR			FINISH	SURFACE AND BREAK SHARP EDGES	DO NOT SCALE DRAWING	REVISION
E-WHA CHEMICAL FEEDER CO., LTD.						
PUMP ASSEMBLY-DIM GE25PCH-H06						
T1000E1001A						
A1						
SCALE 1:1						
SHEET 1 OF 1						



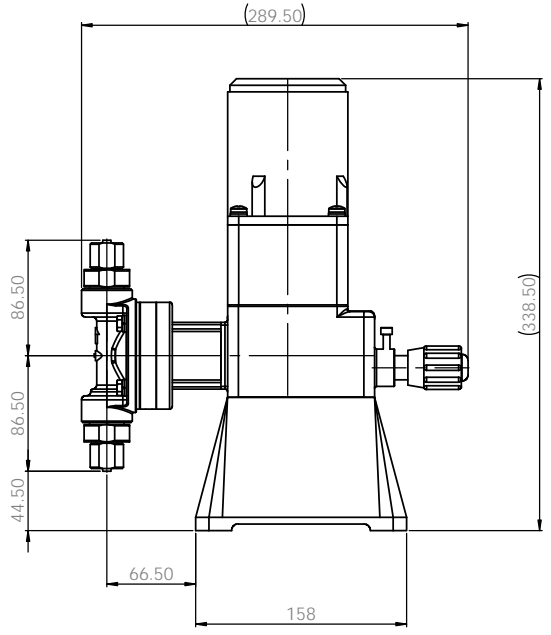
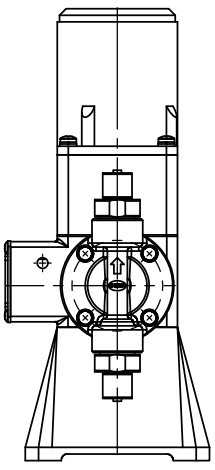
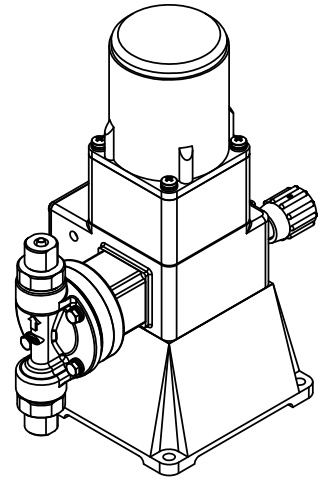
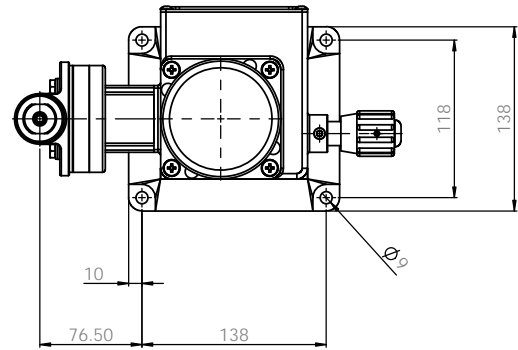
Note
 1. Model : GE25
 2. Material : PTFE
 3. Connection : Hose

ALL DIMENSIONS SPECIFIED UNLESS OTHERWISE SPECIFIED DIMENSIONS ARE IN MILLIMETERS UNLESS INDICATED OTHERWISE			FINISH		EDGE AND BREAK SHARP ENDS		DO NOT SCALE DRAWING		REVISION	
DRAWN: W. PARK			DATE: 2020.02.21				E-WHA CHEMICAL FEEDER CO., LTD.			
CHECKED: W. PARK			DATE: 2020.02.21				PUMP ASSEMBLY-DIM			
APPROVED: S.C. KIM			DATE: 2020.02.22				GE25TCH-H06			
MATERIAL: PTFE			DWG. NO: T1004E1001A				SCALE: 1:1		SHEET 1 OF 1	



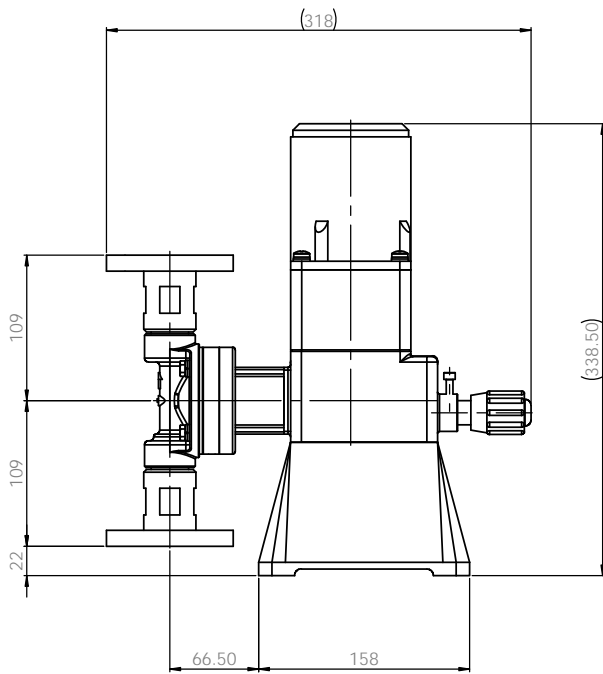
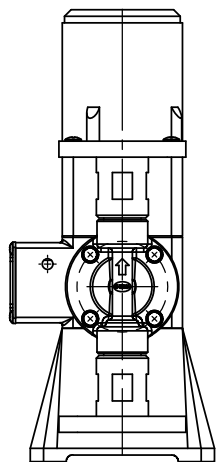
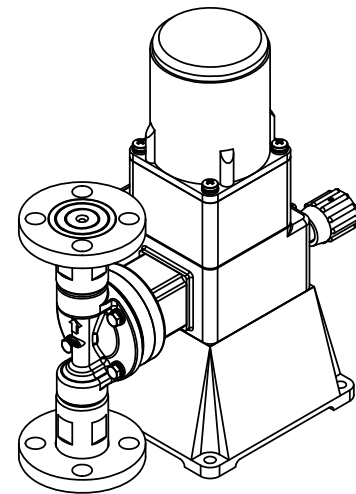
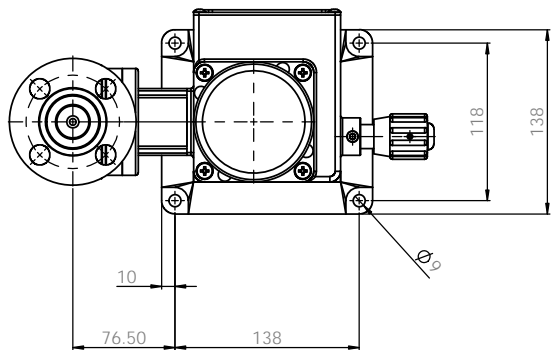
Note
 1. Model : GE25
 2. Material : PTFE
 3. Connection : Flange

ALL DIMENSIONS SPECIFIED UNLESS OTHERWISE SPECIFIED DIMENSIONS ARE IN MILLIMETERS TOLERANCES: FINISH: ANGULAR:			FINISH: BRUSH BRUSH GRAB DOTTI	DO NOT SCALE DRAWING REVISION:
DRAWN: W. PARK CHECK: W. PARK APPROV: S.C. KIM DATE: 2020.02.21 2020.02.21 2020.02.22	DESIGNER: DATE:	TITLE: PUMP ASSEMBLY-DIM GE25TCF-KS 10K 15A FF	MATERIAL: PTFE	SHEET NO.: T1004E1002A
E-WHA CHEMICAL FEEDER CO., LTD.			SHEET 1 OF 1	A1



Note
 1. Model : GE25
 2. Material : Stainless steel
 3. Connection : Hose

ALL DIMENSIONS SPECIFIED UNLESS OTHERWISE SPECIFIED DIMENSIONS ARE IN MILLIMETERS UNLESS INDICATED OTHERWISE			FINISH		EDGE AND BREAK SHARP EXCEPT		DO NOT SCALE DRAWING		REVISION		
							E-WHA CHEMICAL FEEDER CO., LTD.				
DATE	BY	CHECKED	DATE	BY	DATE	BY	PUMP ASSEMBLY-DIM				
2020.02.21	W. PARK	2020.02.21					GE25S4S4H-H06				
2020.02.21	W. PARK	2020.02.21					T1001E1001A				
2020.02.21	S.C. KIM	2020.02.21					A1				
SUS304			MATERIAL		SUS304		DWG. NO.		T1001E1001A		
SCALE 1:1			REQUIR.		SCALE 1:1		SHEET 1 OF 1				



Note
 1. Model : GE25
 2. Material : Stainless steel
 3. Connection : Flange

ALL DIMENSIONS SPECIFIED UNLESS OTHERWISE SPECIFIED DIMENSIONS ARE IN MILLIMETERS UNLESS INDICATED OTHERWISE			FINISH		EDGE AND BREAK SHARP ENDS		DO NOT SCALE DRAWING		REVISION		
							E-WHA CHEMICAL FEEDER CO., LTD.				
DATE	BY	CHECKED	DATE	BY	DATE	BY	TITLE				
2024.02.21	W. PARK	2024.02.21					PUMP ASSEMBLY-DIM				
2024.02.21	W. PARK	2024.02.21					GE25S4S4F-KS10K 15A				
2024.02.21	S.C. KIM	2024.02.21					DWG NO.				
							T1001E1002A				
SUS304			MATERIAL			DWG NO.			A1		
SCALE 1:1			REVISION			SCALE 1:1			SHEET 1 OF 1		