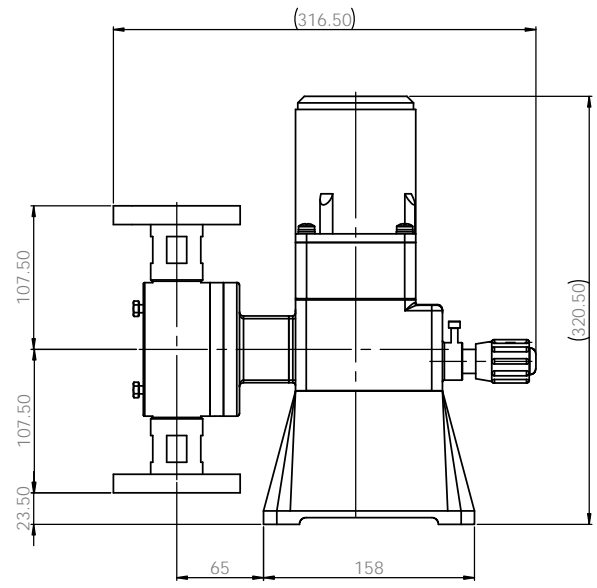
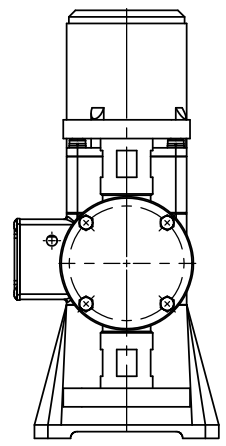
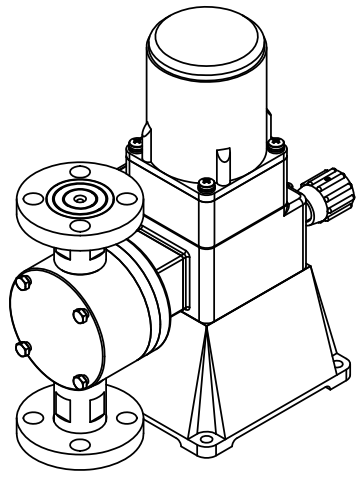
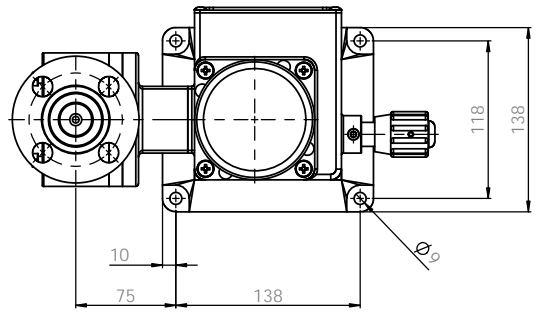


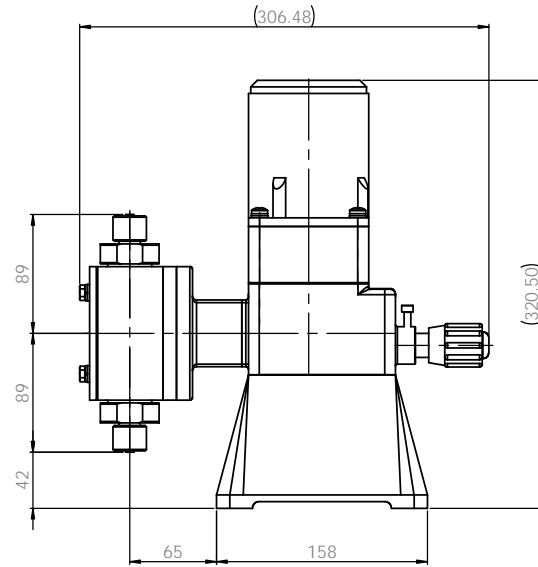
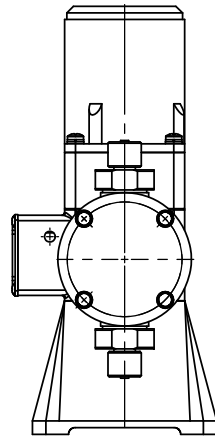
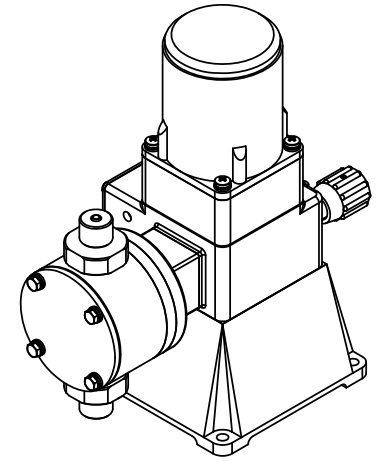
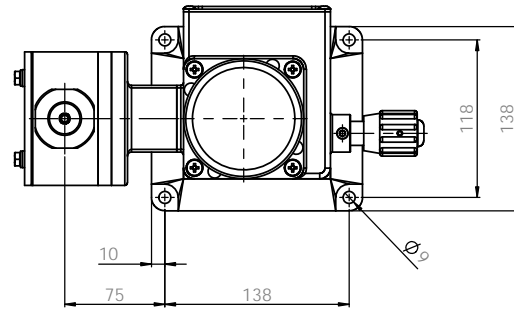
**Note**  
 1. Model : GE300  
 2. Material : PP / PVDF  
 3. Connection : Hose

ALL DIMENSIONS SPECIFIED UNLESS OTHERWISE SPECIFIED DIMENSIONS ARE IN MILLIMETERS UNLESS INDICATED OTHERWISE		FINISH		EDGE AND BREAK SHARP ENDS		DO NOT SCALE DRAWING		REVISION	
DRAWN: W. PARK		CHECKED: W. PARK		DATE: 2020.02.21		E-WHA CHEMICAL FEEDER CO., LTD.		REV.	
APPROVED: S.C. KIM		DATE: 2020.02.21				PUMP ASSEMBLY-DIM		A1	
MATERIAL: PVC		DRAWING NO: T1000E1007A		SCALE: 1:1		SHEET 1 OF 1			



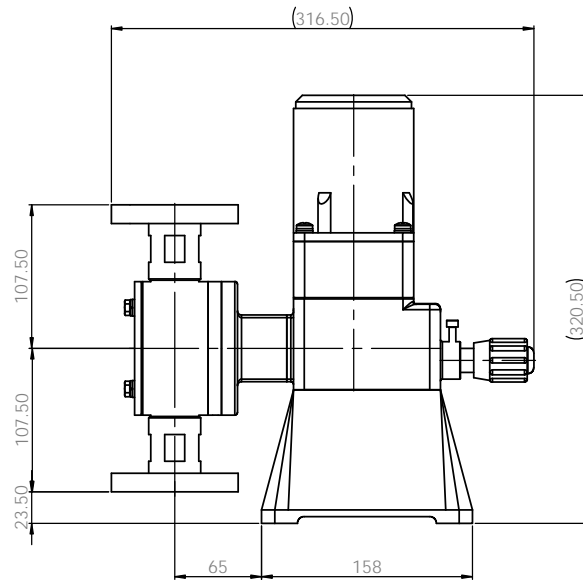
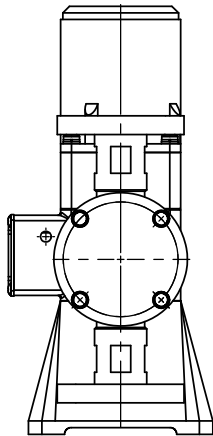
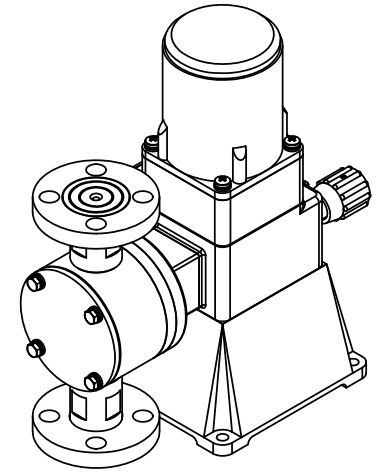
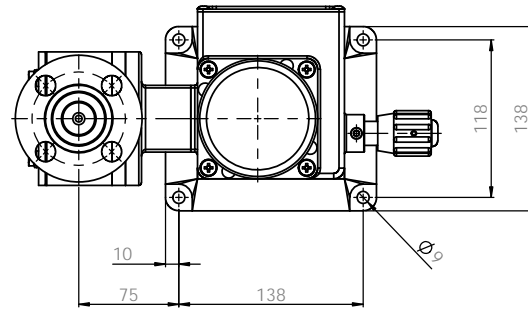
**Note**  
 1. Model : GE300  
 2. Material : PP / PVDF  
 3. Connection : Flange

PUMP ASSEMBLY-DIM				E-WHA CHEMICAL FEEDER CO., LTD.	
DATE	SCALE	REV.	BY	DATE	BY
2020.02.22	1:1				
2020.02.22					
2020.02.22					
MATERIAL: PVC			DIMENSION: T1000E1008A		
SCALE: 1:1			SHEET 1 OF 1		



**Note**  
 1. Model : GE300  
 2. Material : PTFE  
 3. Connection : Hose

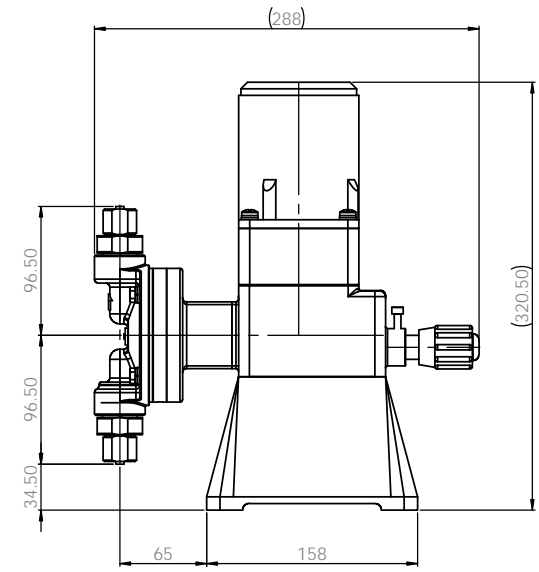
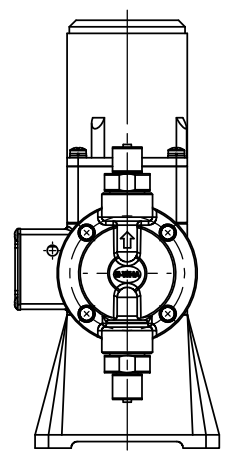
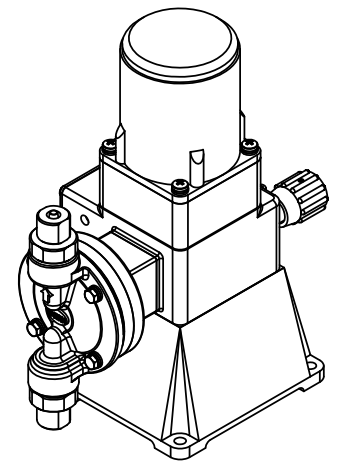
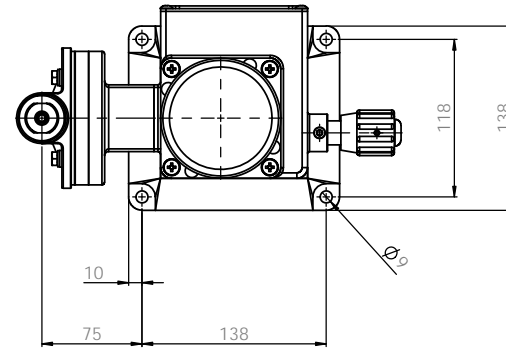
ALL DIMENSIONS SPECIFIED UNLESS OTHERWISE SPECIFIED DIMENSIONS ARE IN MILLIMETERS UNLESS INDICATED OTHERWISE		FINISH		EDGE AND BREAK SHARP ENDS		DO NOT SCALE DRAWING		REVISION	
DRAWN: W. PARK		CHECKED: W. PARK		DATE: 2008.02.21		PUMP ASSEMBLY-DIM		E-WHA CHEMICAL FEEDER CO., LTD.	
APPROVED: S.C. KIM		DATE: 2008.02.21		MATERIAL: PTFE		DIM. NO. T1004E1007A		A1	
SCALE: 1:1		SHEET: 1 OF 1							



**Note**

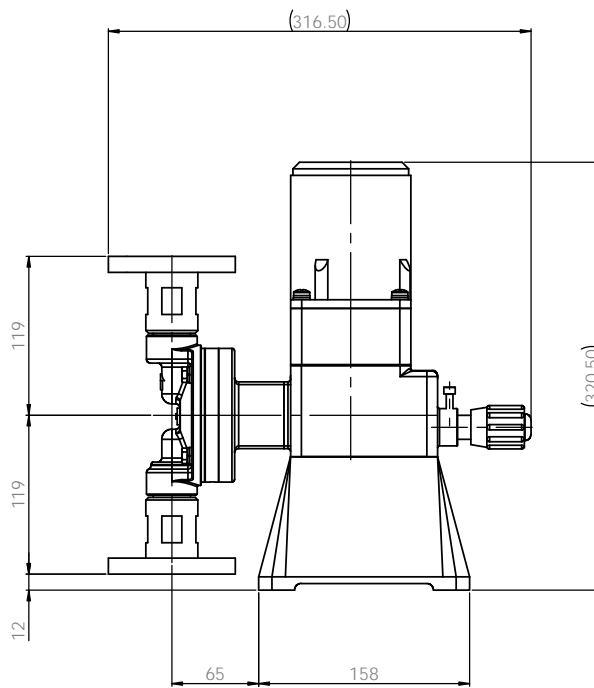
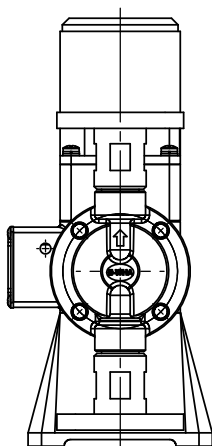
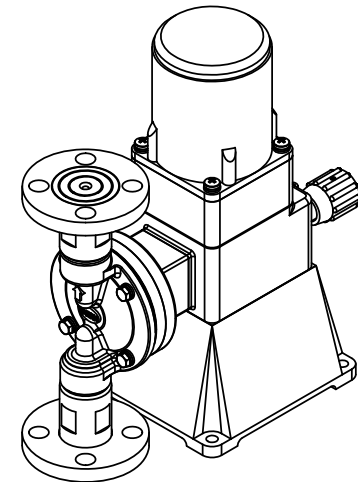
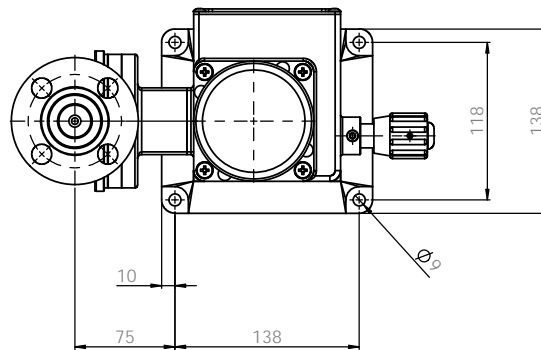
1. Model : GE300
2. Material : PTFE
3. Connection : Flange

PUMP ASSEMBLY-DIM			E-WHA CHEMICAL FEEDER CO., LTD.	
DATE	REV	DESCRIPTION	DATE	REV
2020.02.21		W. PARK	2020.02.21	
2020.02.21		W. PARK	2020.02.21	
2020.02.21		S.C. KIM	2020.02.21	
2020.02.21		W. PARK	2020.02.21	
MATERIAL			DIMENSION	
PTFE			T1004E1008A	
SCALE 1:1			SHEET 1 OF 1	



**Note**  
 1. Model : GE300  
 2. Material : Stainless steel  
 3. Connection : Hose

ALL DIMENSIONS SPECIFIED UNLESS OTHERWISE SPECIFIED DIMENSIONS ARE IN MILLIMETERS TOLERANCES: FINISH: ANGULAR		FINISH: BRUSH BEZEL: SHARP EDGES	DO NOT SCALE DRAWING REVISION
DRAWN: W. PARK CHECK: W. PARK APPROV: S.C. KIM DATE: 2020.02.21 DATE: 2020.02.21 DATE: 2020.02.21		TITLE: PUMP ASSEMBLY-DIM GE300S4S4H-H06	E-WHA CHEMICAL FEEDER CO., LTD. SHEET NO: T1001E1007A SCALE: 1:1 SHEET 1 OF 1
MATERIAL: SUS304		SHEET NO: T1001E1007A SCALE: 1:1 SHEET 1 OF 1	



**Note**  
 1. Model : GE300  
 2. Material : Stainless steel  
 3. Connection : Flange

ALL DIMENSIONS SPECIFIED UNLESS OTHERWISE SPECIFIED DIMENSIONS ARE IN MILLIMETERS UNLESS INDICATED OTHERWISE		FINISH		EDGE AND BREAK SHARP ENDS		DO NOT SCALE DRAWING		REVISION	
DRAWN: W. PARK CHECK: W. PARK APPROV: S.C. KIM DATE: 2018.02.21 DATE: 2018.02.21 DATE: 2018.02.21		SUS304		T1001E1008A		E-WHA CHEMICAL FEEDER CO., LTD.		PUMP ASSEMBLY-DIM GE300S4S4F-KS10K 15A	
SHEET NO.		SCALE 1:1		SHEET 1 OF 1		A1		A1	