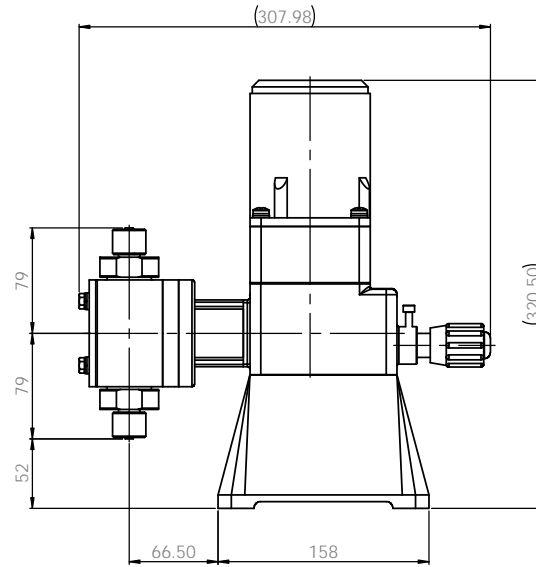
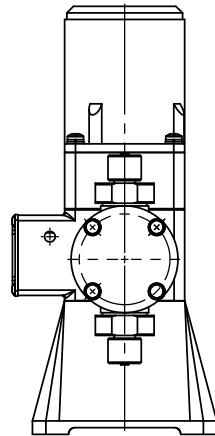
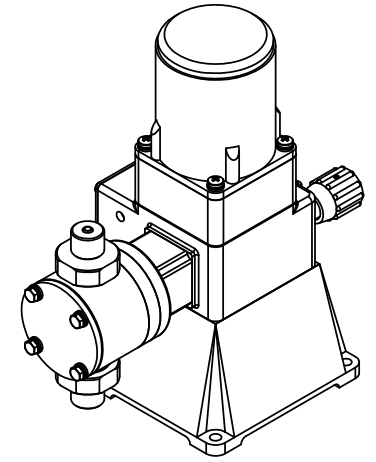
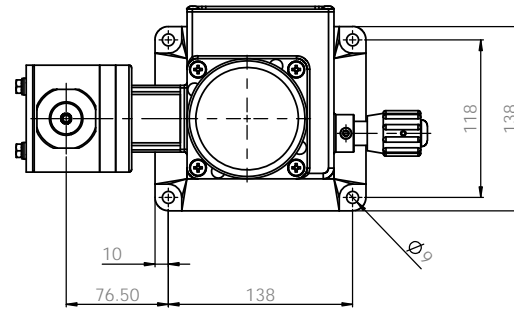


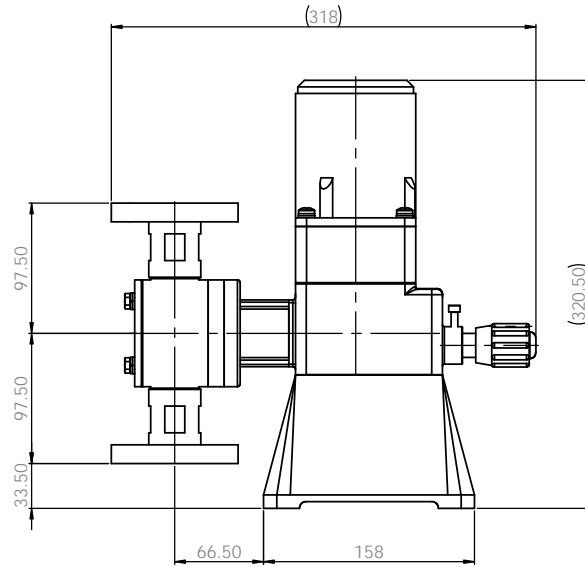
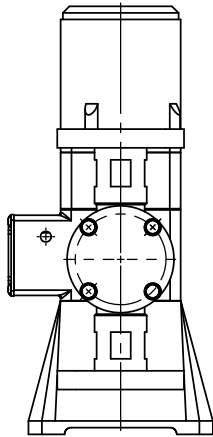
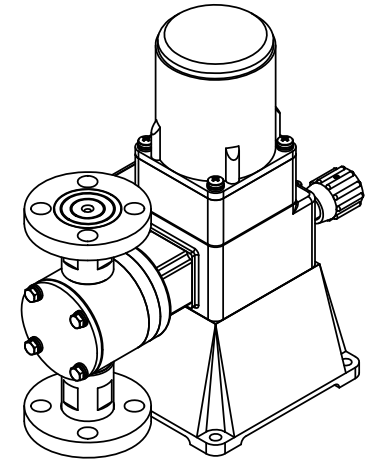
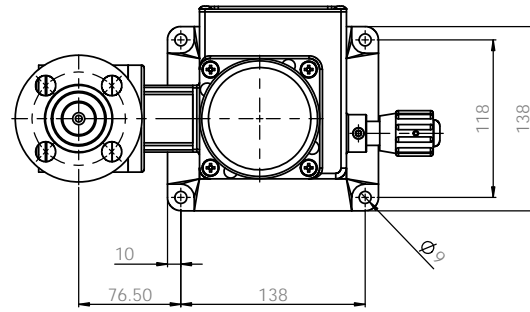
Note
 1. Model : GE50
 2. Material : PP / PVDF
 3. Connection : Hose

ALL DIMENSIONS SPECIFIED UNLESS OTHERWISE SPECIFIED DIMENSIONS ARE IN MILLIMETERS TOLERANCES: HORIZONTAL ANGULAR			FINISH BRASS AND BRASS SHARP EDGE	DO NOT SCALE DRAWING REVISION
DRAWN: W. PARK CHECK: W. PARK APPROV: S.C. KIM DATE: 2018.02.21 DATE: 2018.02.21 DATE: 2018.02.21			E-WHA CHEMICAL FEEDER CO., LTD. PUMP ASSEMBLY-DIM GE50PCH-H06	SHEET NO. T1000E1003A A1
Dwg. No. T1000E1003A Material: PVC			Scale: 1:1	Sheet: 1 of 1



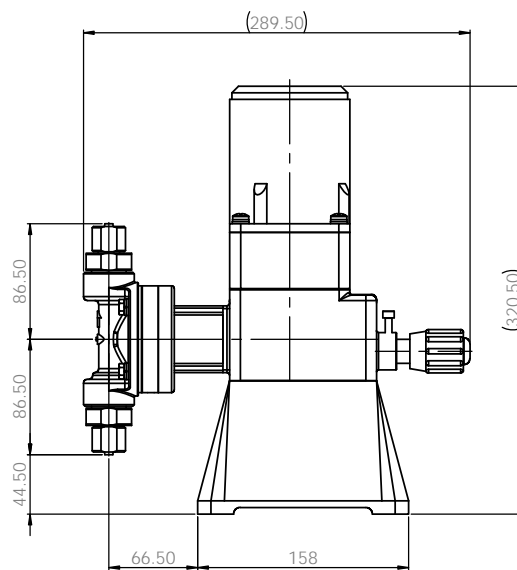
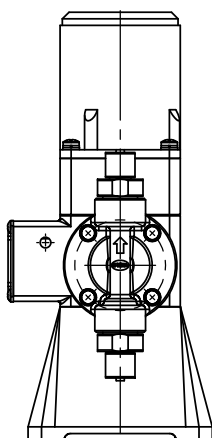
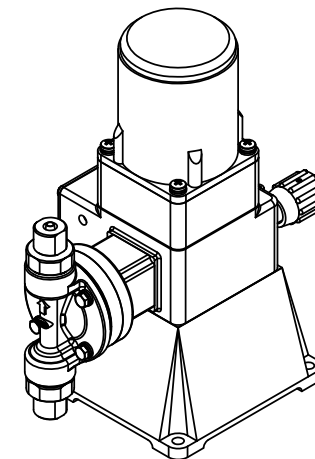
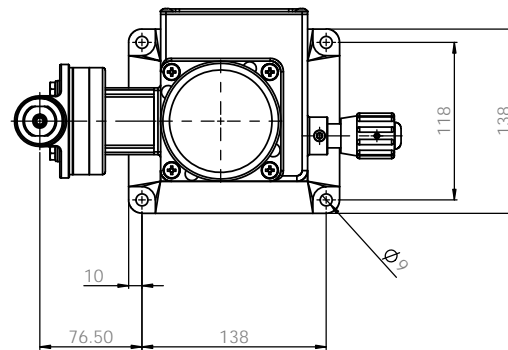
Note
 1. Model : GE50
 2. Material : PTFE
 3. Connection : Hose

ALL DIMENSIONS SPECIFIED UNLESS OTHERWISE SPECIFIED DIMENSIONS ARE IN MILLIMETERS UNLESS INDICATED OTHERWISE		FINISH		EDGE AND BREAK SHARP ENDS		DO NOT SCALE DRAWING		REVISION	
DRAWN: W. PARK		CHECKED: W. PARK		DATE: 2008.02.21		MATERIAL: PTFE		E-WHA CHEMICAL FEEDER CO., LTD.	
REVISED: S.C. KIM		DATE: 2008.02.21				PUMP ASSEMBLY-DIM			
DATE: 2008.02.21						GE50TCH-H06			
SHEET NO. 1		TOTAL SHEETS 1		SCALE 1:1		SHEET NO. 1		A1	



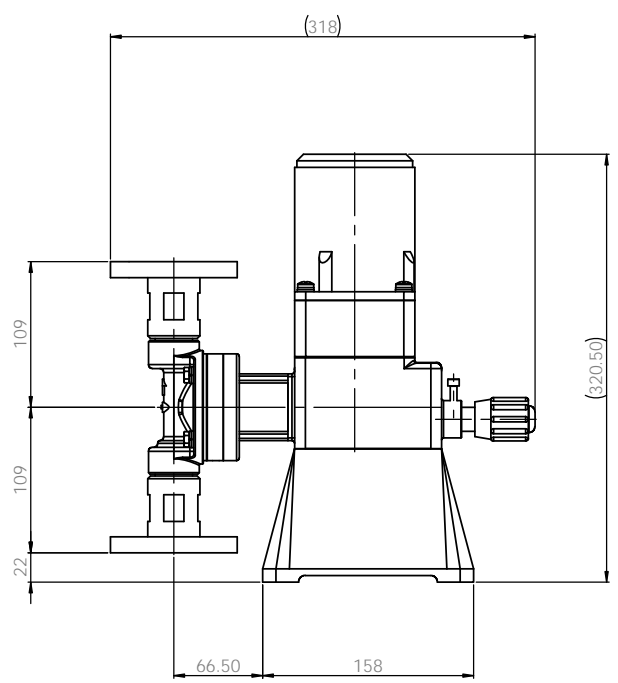
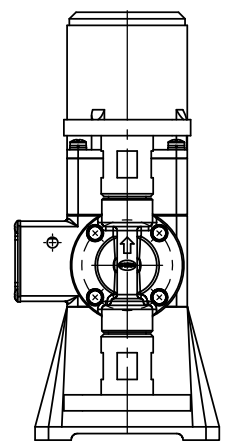
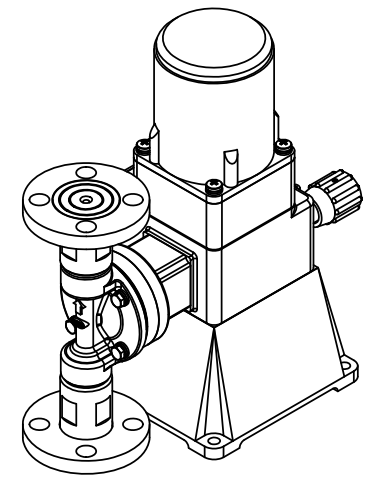
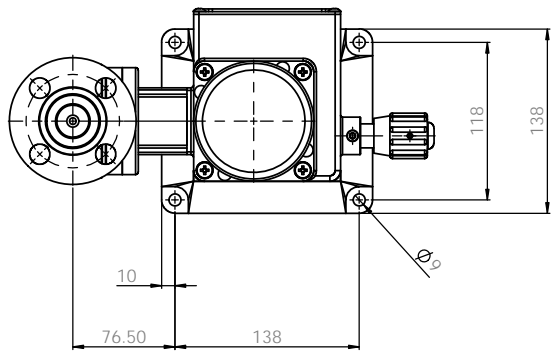
Note
 1. Model : GE50
 2. Material : PTFE
 3. Connection : Flange

PUMP ASSEMBLY-DIM				E-WHA CHEMICAL FEEDER CO., LTD.	
DATE	REV	BY	CHK	DATE	REV
2024.02.21					
2024.02.21					
2024.02.21					
MATERIAL			PTFE		
DRAWING NO.			T1004E1004A		
SCALE			1:1		
SHEET			1 OF 1		



Note
 1. Model : GE50
 2. Material : Stainless steel
 3. Connection : Hose

ALL DIMENSIONS SPECIFIED UNLESS OTHERWISE SPECIFIED DIMENSIONS ARE IN MILLIMETERS TOLERANCES: FINISH: ANGULAR		FINISH	EDGE AND BREAK SHARP EXCEPT	DO NOT SCALE DRAWING	REVISION
DRAWN: W. PARK CHECK: W. PARK APPROV: S.C. KIM DATE: 2020.02.21 DATE: 2020.02.21 DATE: 2020.02.22		TITLE: PUMP ASSEMBLY-DIM GE50S4S4H-H06	MATERIAL: SUS304	DWG. NO.: T1001E1003A	SHEET NO.: A1
E-WHA CHEMICAL FEEDER CO., LTD.		SCALE: 1:1	SHEET 1 OF 1		



Note
 1. Model : GE50
 2. Material : Stainless steel
 3. Connection : Flange

ALL DIMENSIONS SPECIFIED UNLESS OTHERWISE SPECIFIED DIMENSIONS ARE IN MILLIMETERS UNLESS INDICATED OTHERWISE		FINISH: BRASS SHARP EDGES		DO NOT SCALE DRAWING		REVISION	
DRAWN: W. PARK CHECK: W. PARK APPROV: S.C. KIM DATE: 2020.02.21 DATE: 2020.02.21 DATE: 2020.02.21		TITLE: PUMP ASSEMBLY-DIM GE50S4S4F-KS10K 15A		E-WHA CHEMICAL FEEDER CO., LTD.		SHEET NO. T1001E1004A	
MATERIAL: SUS304		SHEET NO. T1001E1004A		SCALE: 1:1		SHEET 1 OF 1	