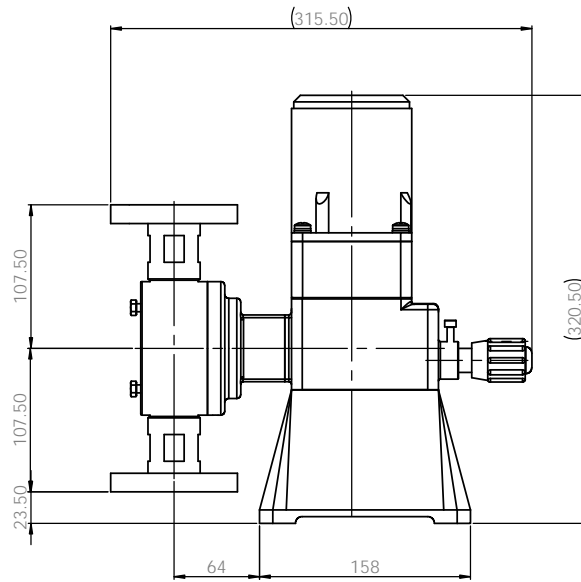
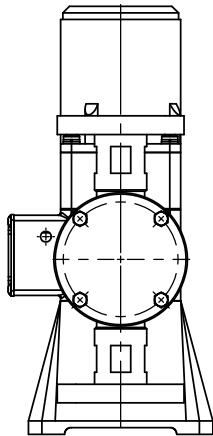
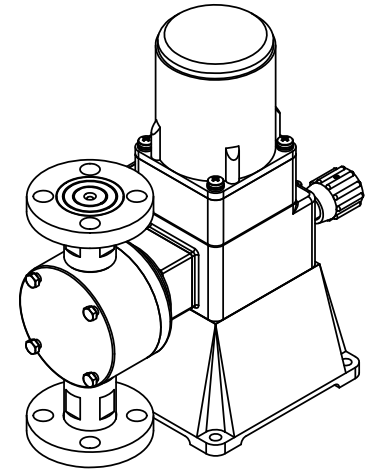
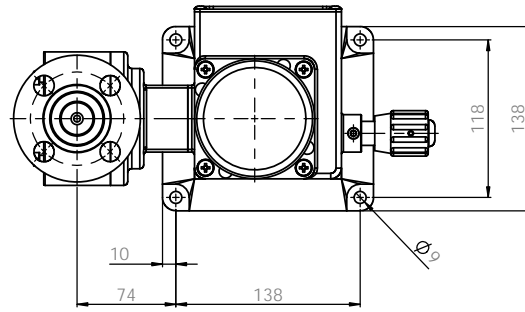


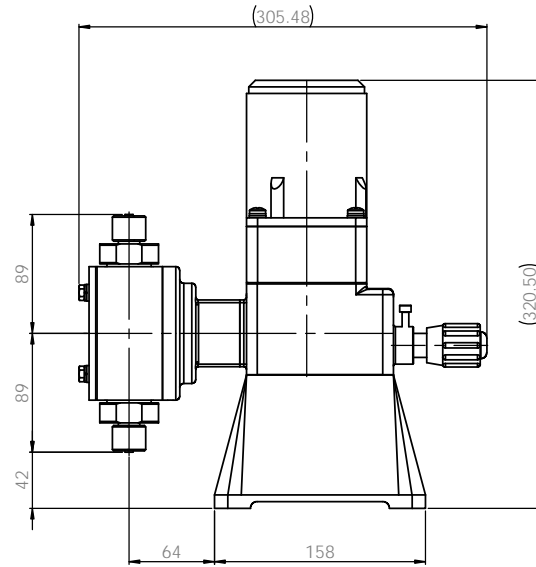
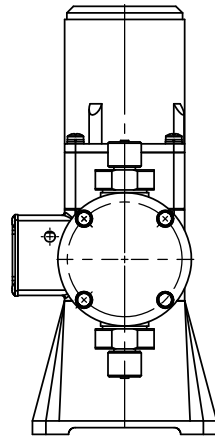
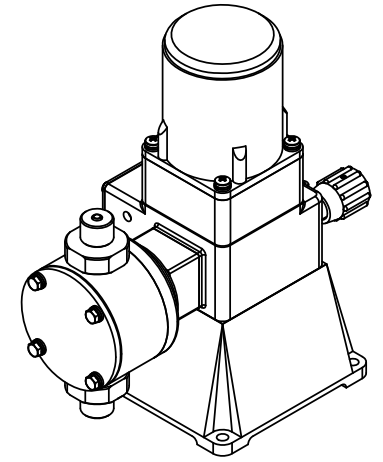
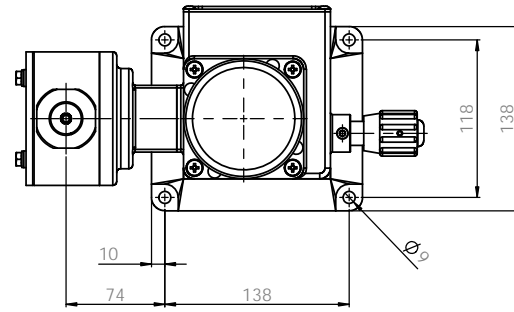
Note
 1. Model : GE500
 2. Material : PP / PVDF
 3. Connection : Hose

ALL DIMENSIONS SPECIFIED UNLESS OTHERWISE SPECIFIED DIMENSIONS ARE IN MILLIMETERS TOLERANCES: HORIZONTAL ANGULAR		FINISH BRASS AND BRASS SHARP ENDS	DO NOT SCALE DRAWING REVISION
DRAWN: W. PARK CHECK: W. PARK APPROV: S.C. KIM DATE: 2018.02.21 DATE: 2018.02.21 DATE: 2018.02.21		TITLE PUMP ASSEMBLY-DIM GE500PCH-H06	SHEET NO. T1000E1009A A1
E.W.A.		MATERIAL PVC	SCALE 1:1 SHEET 1 OF 1



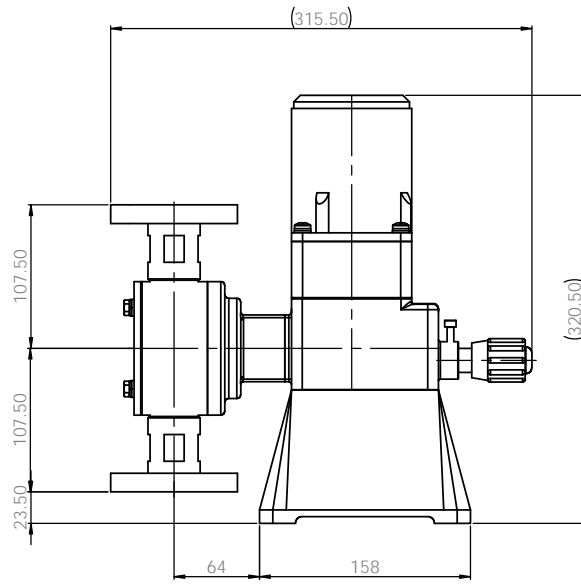
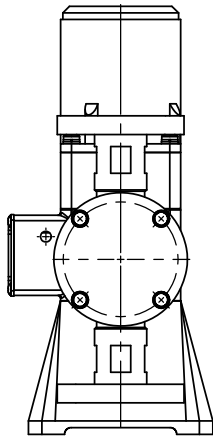
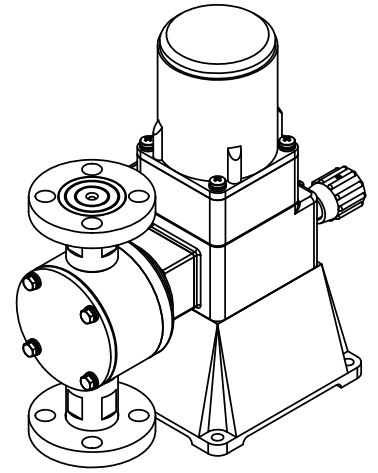
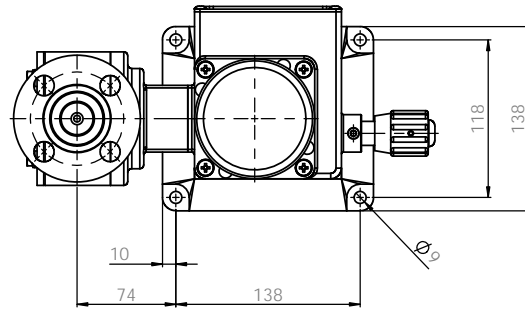
Note
 1. Model : GE500
 2. Material : PP / PVDF
 3. Connection : Flange

ALL DIMENSIONS SPECIFIED UNLESS OTHERWISE SPECIFIED DIMENSIONS ARE IN MILLIMETERS TOLERANCES: FINISH: ANGULAR:			FINISH: BRASS SHARP DICES	DO NOT SCALE DRAWING REVISION:
DRAWN: W. PARK CHECK: W. PARK APPROV: S.C. KIM DATE: 2020.02.21 DATE: 2020.02.21 DATE: 2020.02.21	DESIGNED: DRAWN: CHECKED: DATE:	TITLE: PUMP ASSEMBLY-DIM GE500PCF-KS 10K 15A FF	MATERIAL: PVC	SPEC. NO.: T1000E1010A
E-WHA CHEMICAL FEEDER CO., LTD.			SCALE: 1:1	SHEET 1 OF 1



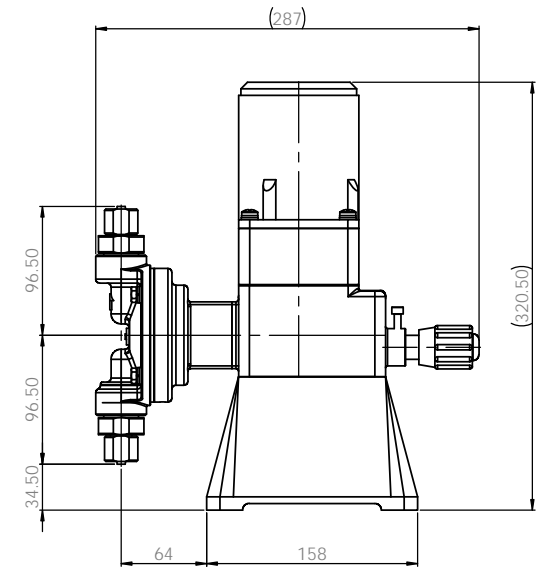
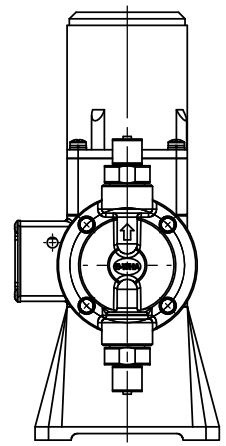
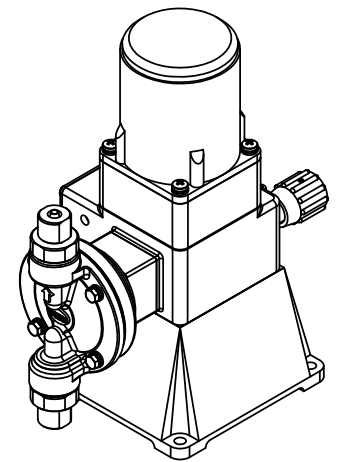
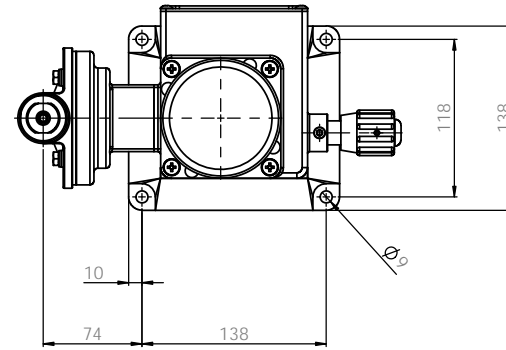
Note
 1. Model : GE500
 2. Material : PTFE
 3. Connection : Hose

ALL DIMENSIONS SPECIFIED UNLESS OTHERWISE SPECIFIED DIMENSIONS ARE IN MILLIMETERS UNLESS INDICATED OTHERWISE			FINISH		EDGE AND BREAK SHARP ENDS		DO NOT SCALE DRAWING		REVISION	
							E-WHA CHEMICAL FEEDER CO., LTD.			
DATE	DRW	DESIGN/ISS	DATE				PUMP ASSEMBLY-DIM			
2020.02.21	W. PARK		2020.02.21				GE500TCH-H06			
2020.02.21	W. PARK		2020.02.21							
2020.02.21	S.C. KIM		2020.02.21							
2020.02.21	S.C. KIM		2020.02.21							
D.L.A.			MATERIAL			PTFE			DIMC NO. T1004E1009A	
REGR			SCALE 1:1			SHEET 1 OF 1			A1	



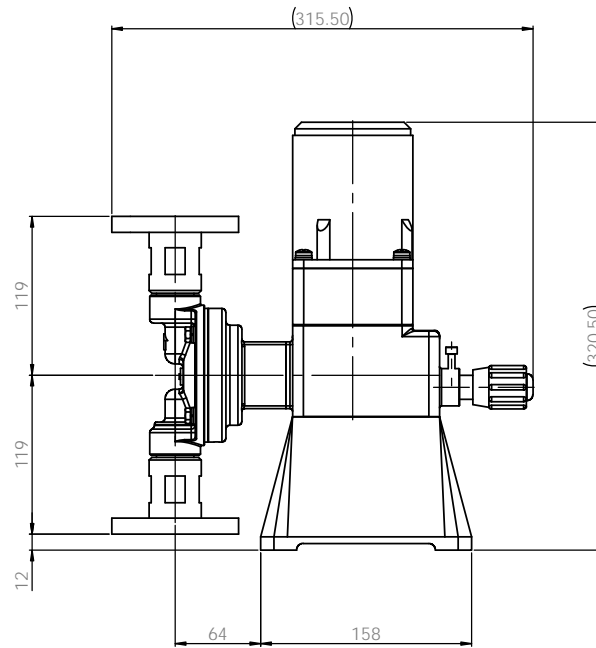
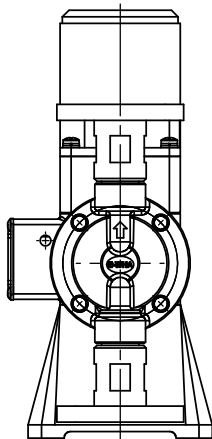
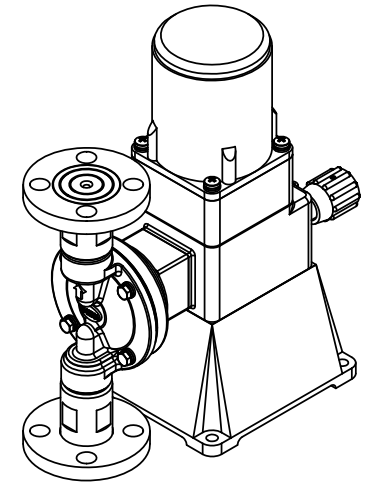
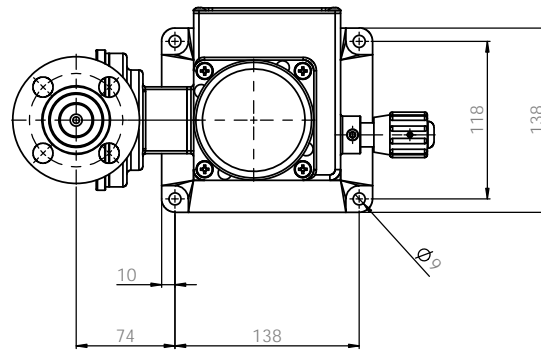
Note
 1. Model : GE500
 2. Material : PTFE
 3. Connection : Flange

ALL DIMENSIONS SPECIFIED UNLESS OTHERWISE SPECIFIED DIMENSIONS ARE IN MILLIMETERS TOLERANCES: FINISH: ANGULAR:		FINISH: BRASS AND BRASS SHARP EDGE:	DO NOT SCALE DRAWING REVISION:
DRAWN: W. PARK CHECK: W. PARK APPROV: S.C. KIM DATE: 2010.02.21 DATE: 2010.02.21 DATE: 2010.02.21	TITLE: PUMP ASSEMBLY-DIM GE500TCF-KS 10K 15A FF	MATERIAL: PTFE	SHEET NO.: T1004E1010A A1
SCALE: 1:1		SHEET 1 OF 1	



Note
 1. Model : GE500
 2. Material : Stainless steel
 3. Connection : Hose

ALL DIMENSIONS SPECIFIED UNLESS OTHERWISE SPECIFIED DIMENSIONS ARE IN MILLIMETERS TOLERANCES: FINISH: ANGULAR		FINISH: BRASS AND BRASS SHARP EDGE	DO NOT SCALE DRAWING REVISION
DRAWN: W. PARK CHECK: W. PARK APPROV: S.C. KIM DATE: 2020.02.21 DATE: 2020.02.21 DATE: 2020.02.21		TITLE: PUMP ASSEMBLY-DIM GE500S4S4H-H06	SHEET NO: T1001E1009A
MATERIAL: SUS304		SHEET NO: T1001E1009A	SHEET OF 1 A1



Note
 1. Model : GE500
 2. Material : Stainless steel
 3. Connection : Flange

ALL DIMENSIONS SPECIFIED UNLESS OTHERWISE SPECIFIED DIMENSIONS ARE IN MILLIMETERS UNLESS INDICATED OTHERWISE			FINISH		EDGE AND BREAK SHARP EXCEPT		DO NOT SCALE DRAWING		REVISION		
									E-WHA CHEMICAL FEEDER CO., LTD.		
DATE	BY	CHECKED	DATE	BY	DATE	BY	TITLE				
2024.02.21	W. PARK	2024.02.21					PUMP ASSEMBLY-DIM				
2024.02.21	W. PARK	2024.02.21					GE500S4S4F-KS10K 15A				
2024.02.21	S.C. KIM	2024.02.21					MATERIAL				
							SUS304		DWG. NO.		A1
							T1001E1010A		SCALE 1:1		SHEET 1 OF 1