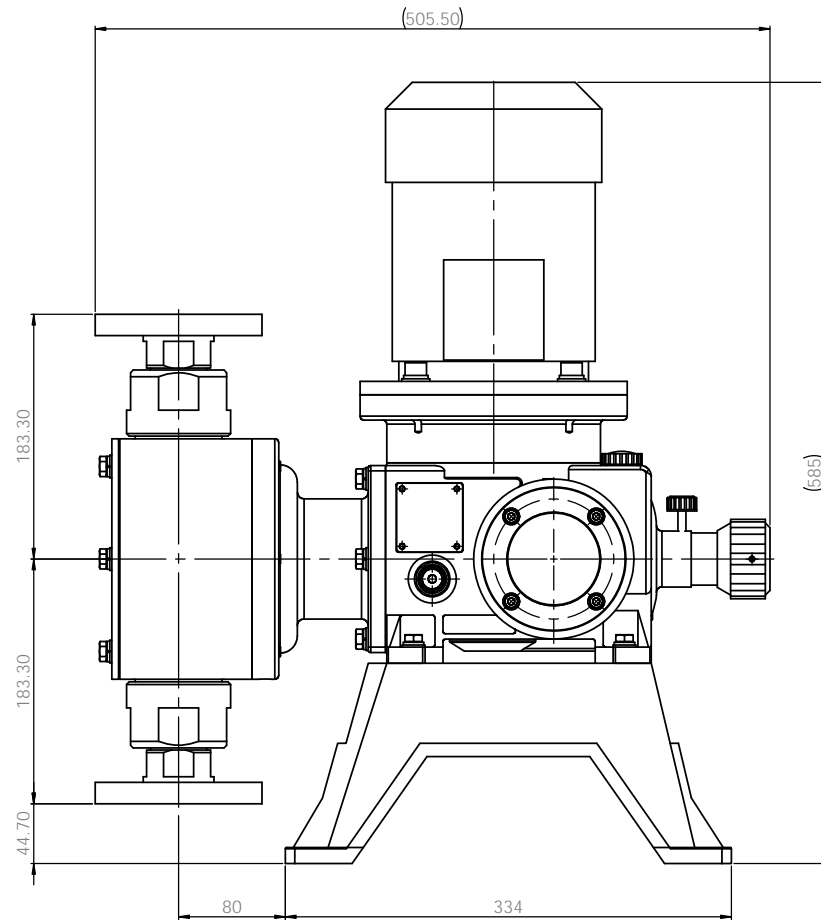
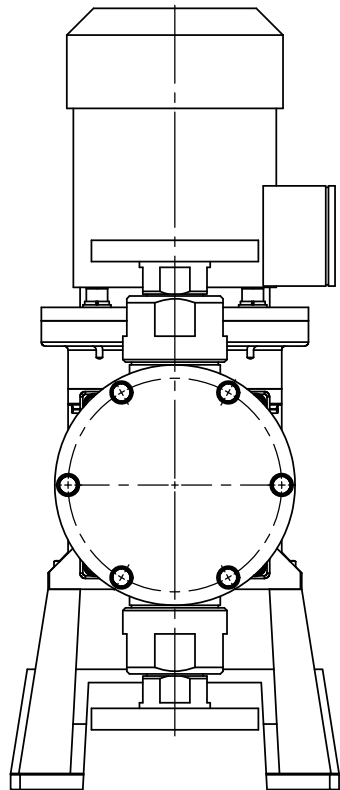
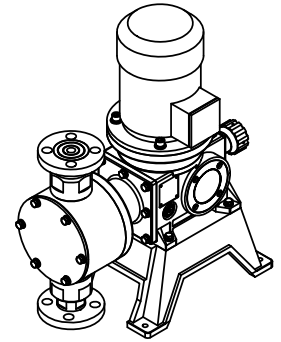
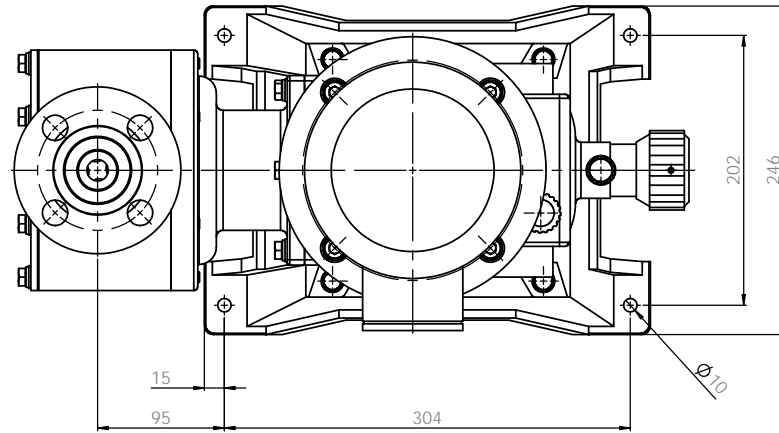


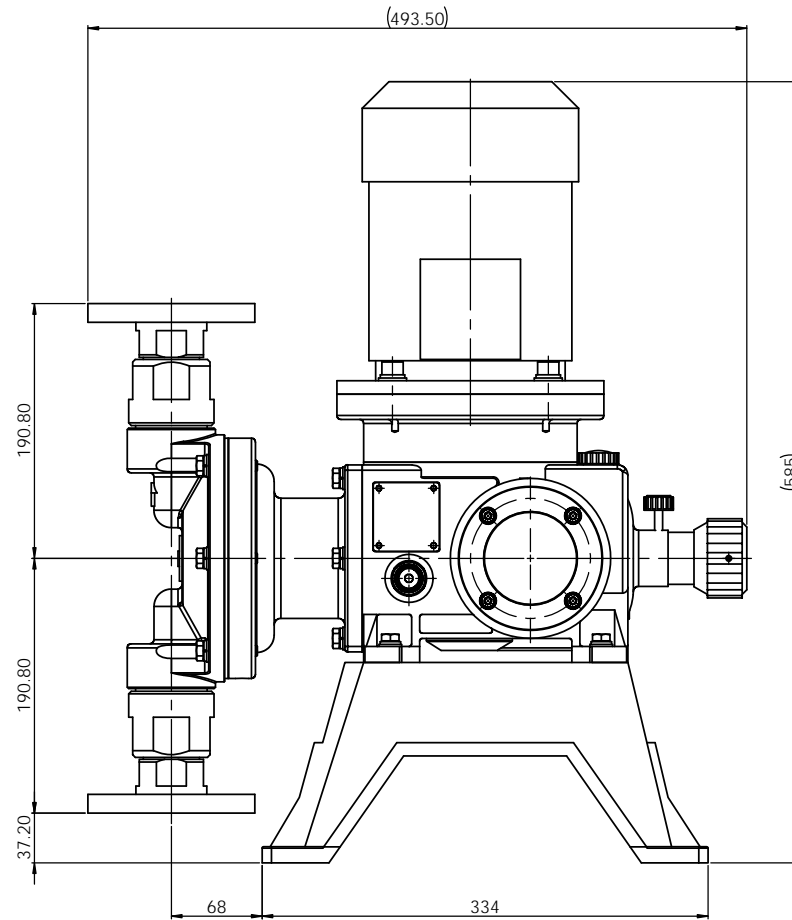
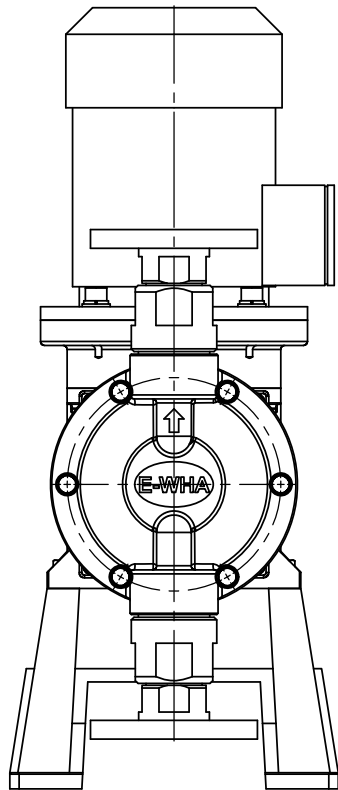
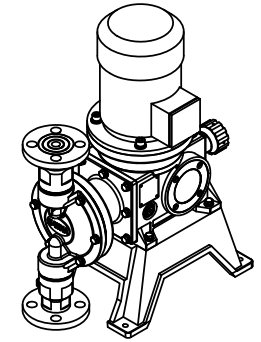
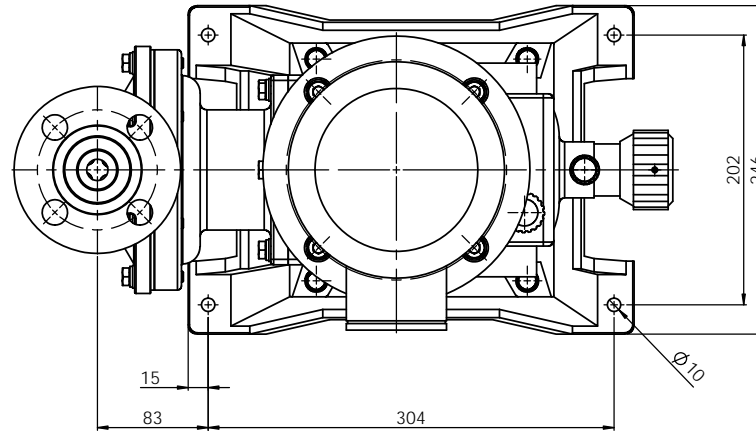
Note
 1. Model : GM10L
 2. Material : PP / PVDF
 3. Connection : Flange

PUMP ASSEMBLY-DIM				E-WHA CHEMICAL FEEDER CO., LTD.	
DATE	REV	BY	CHK	DATE	REV
2024.02.21					
2024.02.21					
2024.02.21					
MATERIAL			PVC		
DRAWING NO.			R1000E1026A		
SCALE			1:1		
SHEET			1 OF 1		



Note
 1. Model : GM10L
 2. Material : PTFE
 3. Connection : Flange

<small>ALL DIMENSIONS SPECIFIED UNLESS OTHERWISE SPECIFIED DIMENSIONS ARE IN MILLIMETERS UNLESS INDICATED OTHERWISE</small>		<small>FINISH</small> BRASS AND BRASS SHARP EDGE	<small>DO NOT SCALE DRAWING</small>	<small>REVISION</small>
<small>DATE</small> 2020.02.21		<small>SCALE</small> 1:1	E-WHA CHEMICAL FEEDER CO., LTD.	
<small>DRAWN</small> W. PARK	<small>DESIGNED</small> W. PARK	<small>DATE</small> 2020.02.21	<small>REV.</small> PUMP ASSEMBLY-DIM	
<small>CHECKED</small> S.C. KIM	<small>DATE</small> 2020.02.21	<small>SCALE</small> 1:1	GM10LTCF-KS 10K 25A FF	
<small>APPROVED</small> S.C. KIM	<small>DATE</small> 2020.02.21	<small>MATERIAL</small> PTFE	<small>ENGINE NO.</small> R1004E1026A	<small>SHEET</small> 1 OF 1
<small>DRAWING NO.</small> E-WHA-1004E1026A	<small>SCALE</small> 1:1	<small>REVISION</small> 1	<small>SCALE</small> 1:1	<small>SHEET</small> 1 OF 1



Note
 1. Model : GM10L
 2. Material : Stainless steel
 3. Connection : Flange

ALL DIMENSIONS SPECIFIED UNLESS OTHERWISE SPECIFIED DIMENSIONS ARE IN MILLIMETERS TOLERANCES: FINISH: ANGULAR:			FINISH: BRUSH BRUSH GRAB POLISH		DO NOT SCALE DRAWING REVISION:	
DATE:	SCALE:	REV:	E-WHA CHEMICAL FEEDER CO., LTD.			
DESIGNER:	DATE:	REV:	PUMP ASSEMBLY-DIM			
CHECKER:	DATE:	REV:	GM10LS4S4F-KS 10K 25A FF			
APPROVED:	DATE:	REV:	SUS304			
DATE:	SCALE:	REV:	R1201E1026A			
MATERIAL:			SUS304		DRAWING NO:	
REQUIR:			SCALE: 1:1		SHEET 1 OF 1	