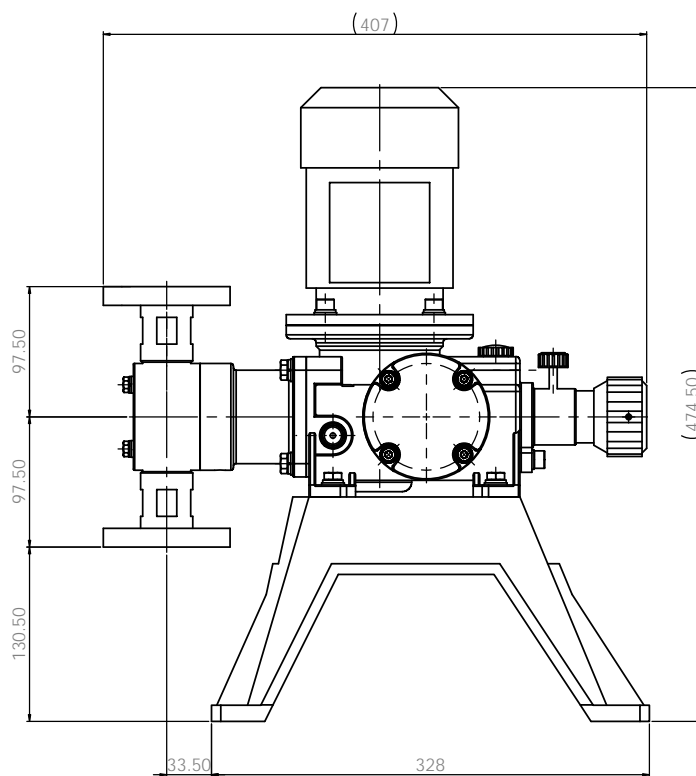
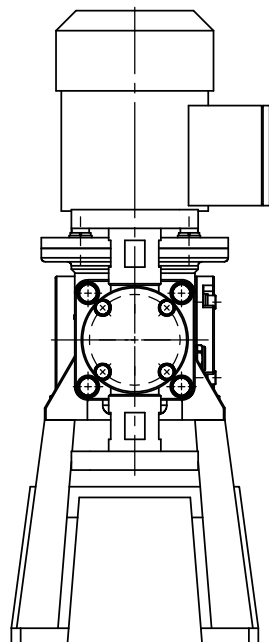
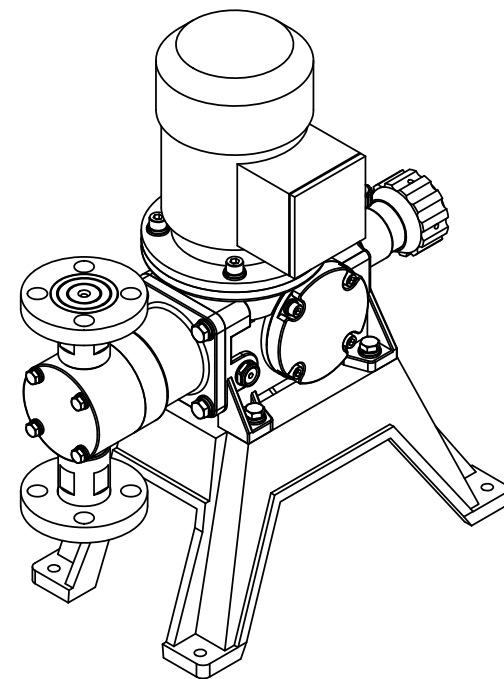
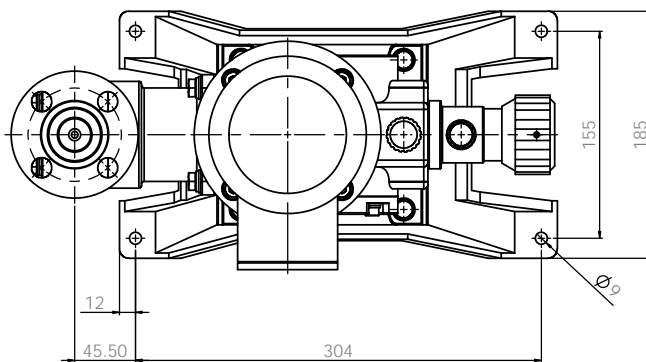


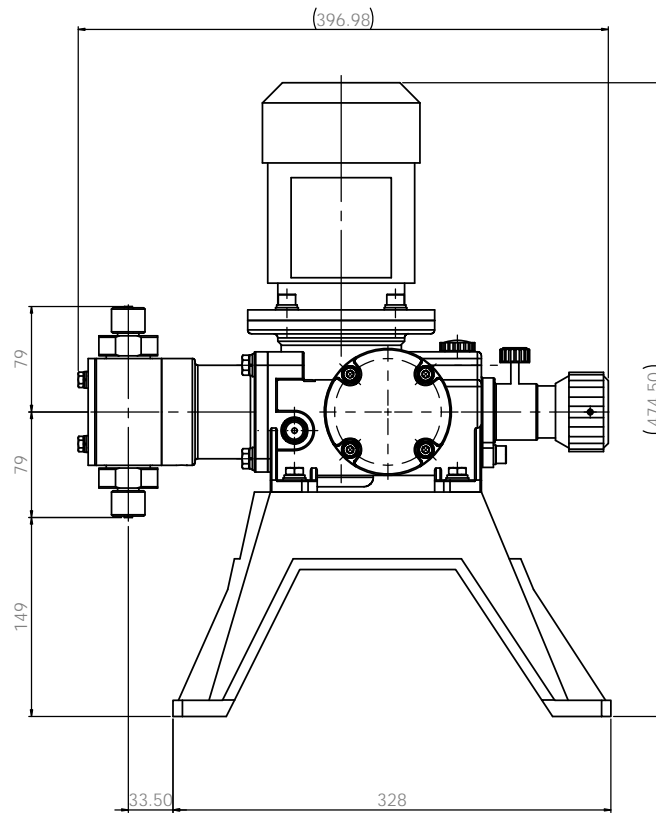
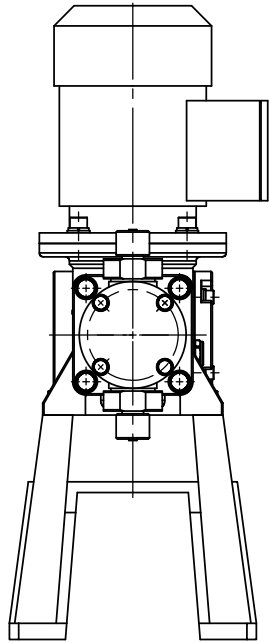
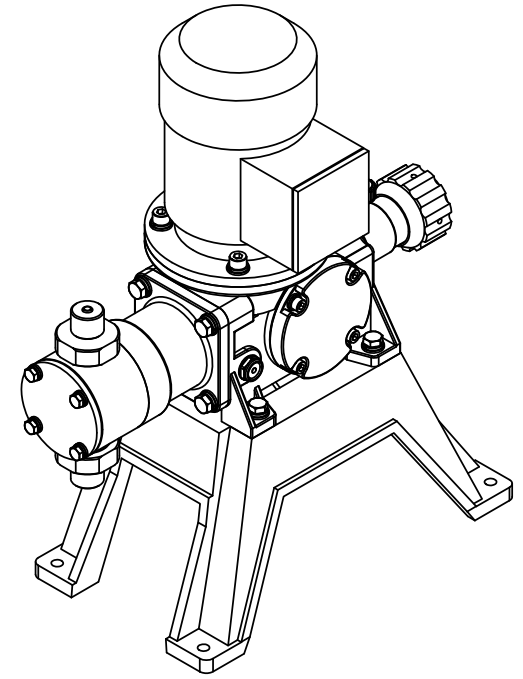
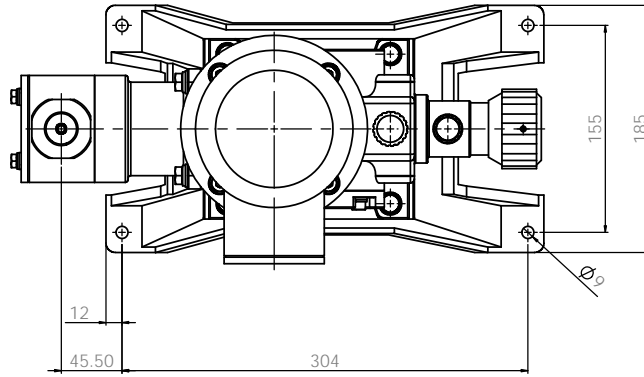
Note
 1. Model : GS100
 2. Material : PP / PVDF
 3. Connection : Hose

PUMP ASSEMBLY-DIM GS100PCH-H06				E-WHA CHEMICAL FEEDER CO., LTD.	
DATE	REV	BY	CHK	DATE	REV
2024.02.21					
2024.02.21					
2024.02.21					
MATERIAL: PVC			SCALE: 1:1		
SHEET 1 OF 1			REVISION		



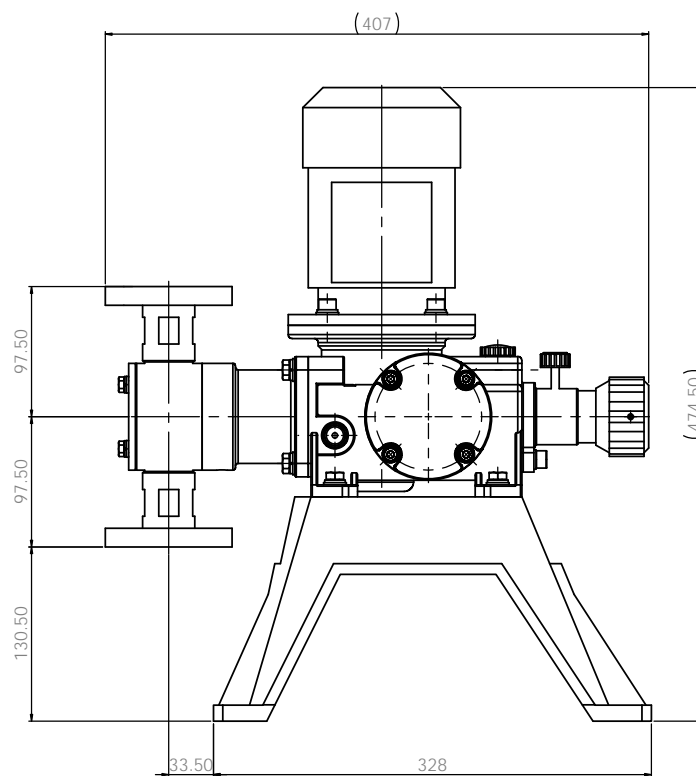
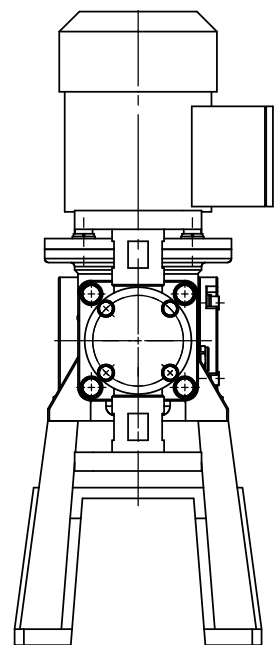
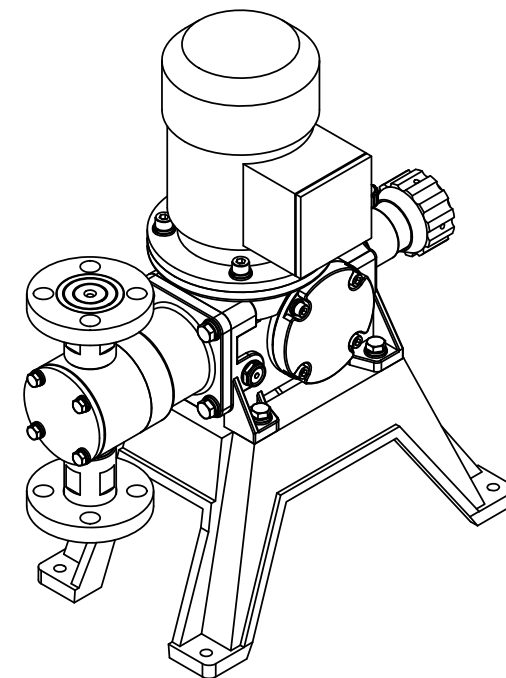
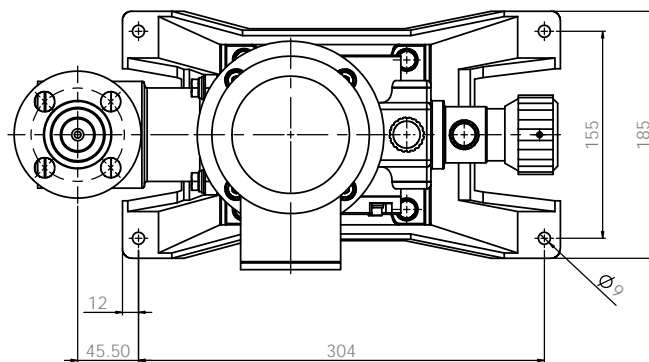
Note
 1. Model : GS100
 2. Material : PP / PVDF
 3. Connection : Flange

ALL DIMENSIONS SPECIFIED UNLESS OTHERWISE SPECIFIED DIMENSIONS ARE IN MILLIMETERS		TOLERANCES UNLESS OTHERWISE SPECIFIED		DO NOT SCALE DRAWING		REVISION	
LINEAR		ANGULAR		HOLE AND BORE SHARP EDGES		E-WHA CHEMICAL FEEDER CO., LTD.	
DATE	BY	DATE	BY	DATE	BY	DATE	BY
2020.02.21	W. PARK	2020.02.21	W. PARK	2020.02.21	W. PARK	2020.02.21	W. PARK
2020.02.21	S.C. KIM	2020.02.21	S.C. KIM	2020.02.21	S.C. KIM	2020.02.21	S.C. KIM
MATERIAL		DRAWING NO.		SCALE		SHEET 1 OF 1	
PVC		Q1000E1006A		A1			



Note
 1. Model : GS100
 2. Material : PTFE
 3. Connection : Hose

ALL DIMENSIONS SPECIFIED UNLESS OTHERWISE SPECIFIED DIMENSIONS ARE IN MILLIMETERS UNLESS OTHERWISE SPECIFIED UNLESS OTHERWISE SPECIFIED UNLESS OTHERWISE SPECIFIED				FINISH BRASS AND BRASS SHARP ENDS		DO NOT SCALE DRAWING REVISION	
DATE	DATE	DATE	DATE	DATE	DATE	DATE	DATE
DESIGN	W. PARK	2020.02.21					
CHECK	W. PARK	2020.02.21					
APPROV	S.C. KIM	2020.02.22					
BY							
DATE							
MATERIAL PTFE				DIMENSION Q1004E1005A		A1	
SCALE 1:1				SHEET 1 OF 1		E-WHA CHEMICAL FEEDER CO., LTD.	

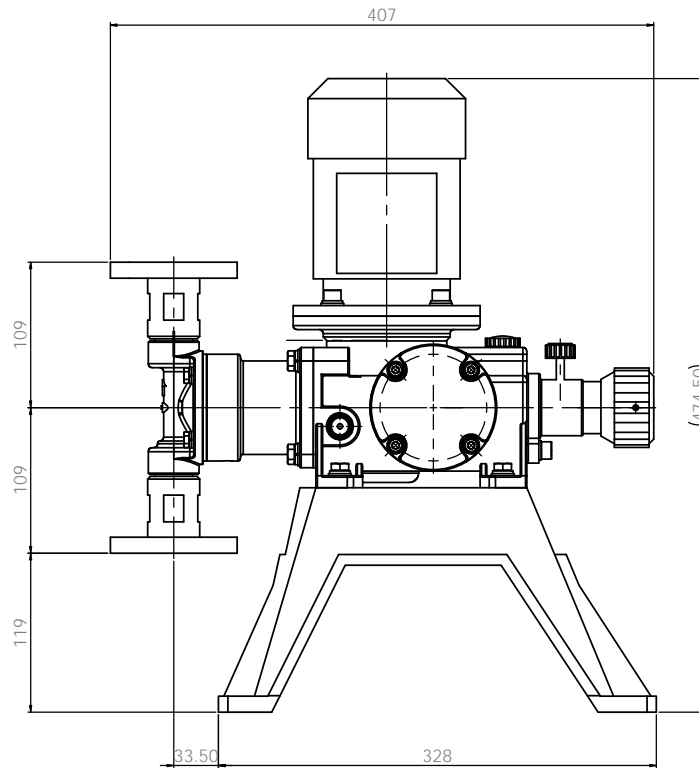
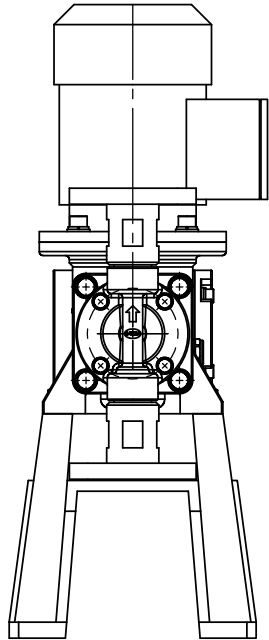
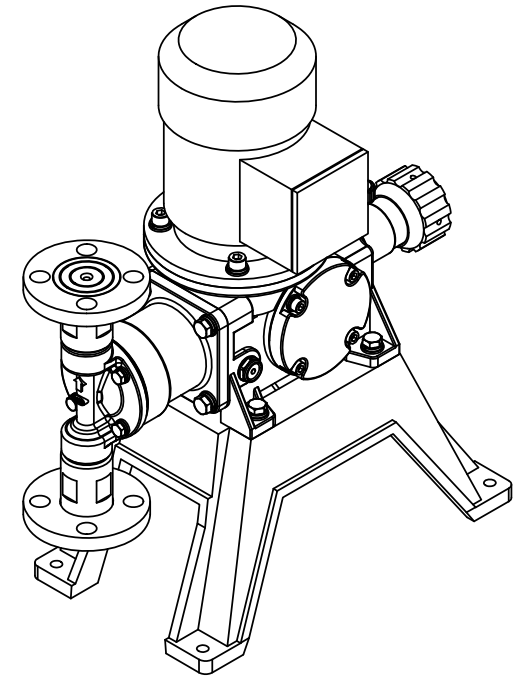
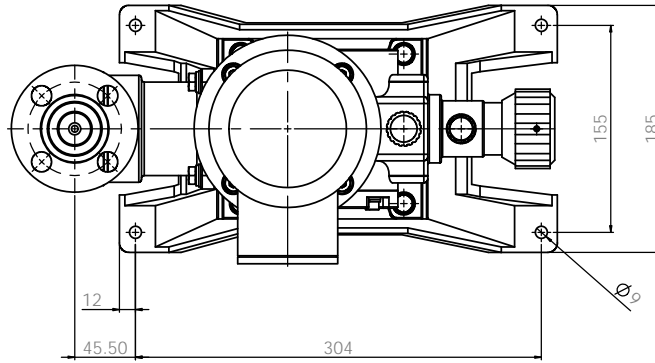


Note
 1. Model : GS100
 2. Material : PTFE
 3. Connection : Flange

ALL DIMENSIONS SPECIFIED UNLESS OTHERWISE SPECIFIED DIMENSIONS ARE IN MILLIMETERS UNLESS INDICATED OTHERWISE				DO NOT SCALE DRAWING		REVISION
TOLERANCES UNLESS SPECIFIED				EQUIVALENT		
LINEAR				HOLE AND TAP		
ANGULAR				EDGE AND BREAK SHARP		
				DOTTI		
DATE	BY	CHECKED	DATE			
2020.02.21	W. PARK	2020.02.21				
2020.02.21	W. PARK	2020.02.21				
2020.02.21	S.C. KIM	2020.02.21				
2020.02.21	W. PARK	2020.02.21				
MATERIAL				PTFE		
DRAWING NO.				Q1004E1006A		A1
SCALE 1:1				SHEET 1 OF 1		

E-WHA CHEMICAL FEEDER CO., LTD.

PUMP ASSEMBLY-DIM
 GS100TCF-KS 10K 15A FF



Note
 1. Model : GS100
 2. Material : Stainless steel
 3. Connection : Flange

ALL DIMENSIONS SPECIFIED UNLESS OTHERWISE SPECIFIED DIMENSIONS ARE IN MILLIMETERS				UNITS: mm		TOLERANCES UNLESS SPECIFIED		DO NOT SCALE DRAWING		REVISION	
DIMENSIONS: ANGULAR				±0.10		±0.10				E-WHA CHEMICAL FEEDER CO., LTD.	
DATE	BY	CHKD	APP'D	DATE	BY	CHKD	APP'D	REV: PUMP ASSEMBLY-DIM GS100S4S4F-KS 10K 15A FF			
2024.02.21	W. PARK			2024.02.21				MATERIAL: SUS304			
2024.02.21	W. PARK			2024.02.21				DRAWING NO: Q1201E1006A			
2024.02.21	S.C. KIM			2024.02.21				SCALE: 1:1			
SUS304				SUS304				SHEET 1 OF 1			