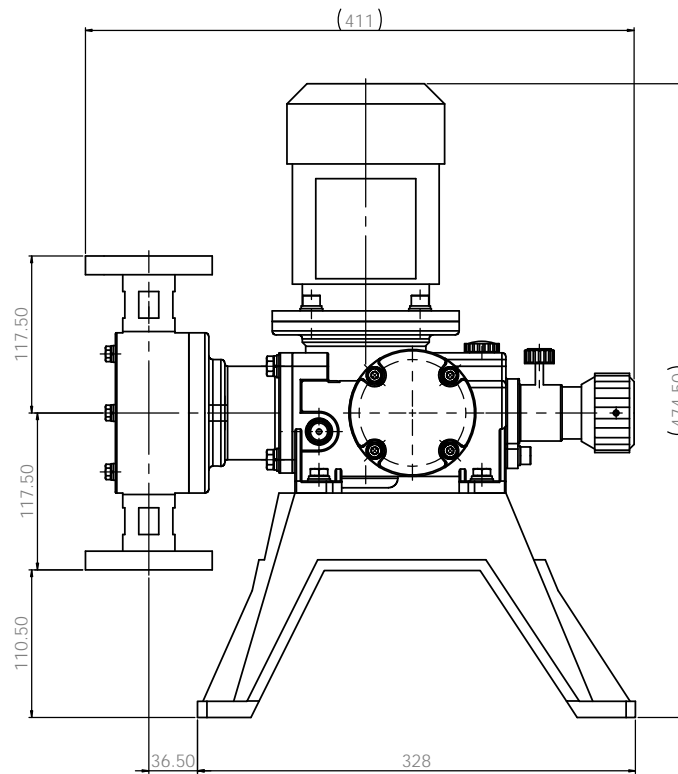
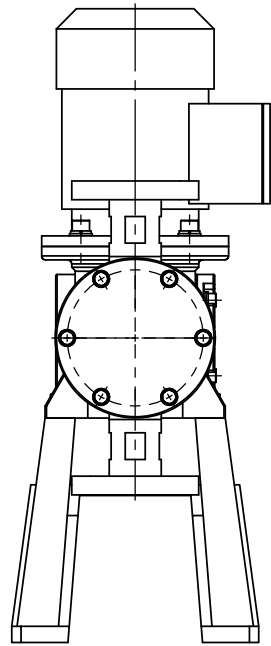
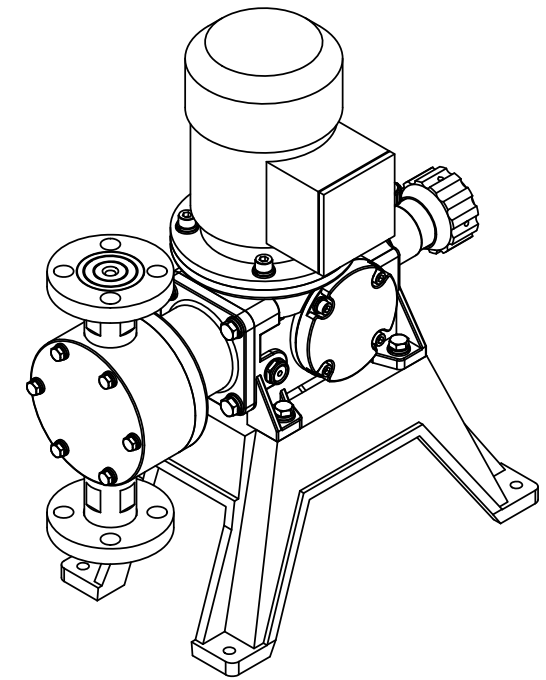
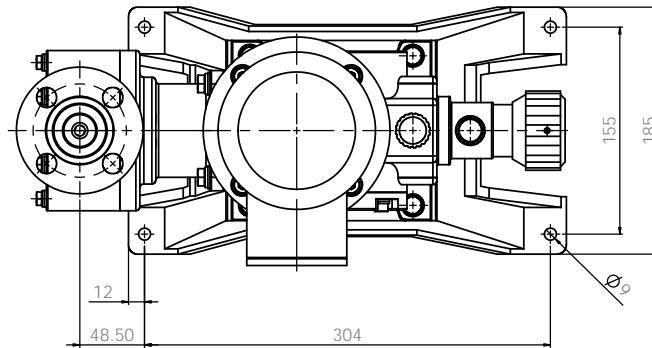


Note
 1. Model : GS1000
 2. Material : PP / PVDF
 3. Connection : Hose

| | | | | | | | | |
|--|----------|------------|------|-----------------------------|--|----------------------|--|--------------|
| ALL DIMENSIONS SPECIFIED UNLESS OTHERWISE SPECIFIED DIMENSIONS ARE IN MILLIMETERS UNLESS INDICATED OTHERWISE | | | | SCALE AND BREAK SHARP EDGES | | DO NOT SCALE DRAWING | | REVISION |
| E-WHA CHEMICAL FEEDER CO., LTD. | | | | | | | | |
| DATE | BY | CHECKED | DATE | | | | | |
| 2024.02.21 | W. PARK | 2024.02.21 | | | | | | |
| 2024.02.21 | W. PARK | 2024.02.21 | | | | | | |
| 2024.02.21 | S.C. KIM | 2024.02.21 | | | | | | |
| MATERIAL | | | | PVC | | DWG. NO. | | A1 |
| | | | | Q1000E1011A | | SCALE 1:1 | | SHEET 1 OF 1 |

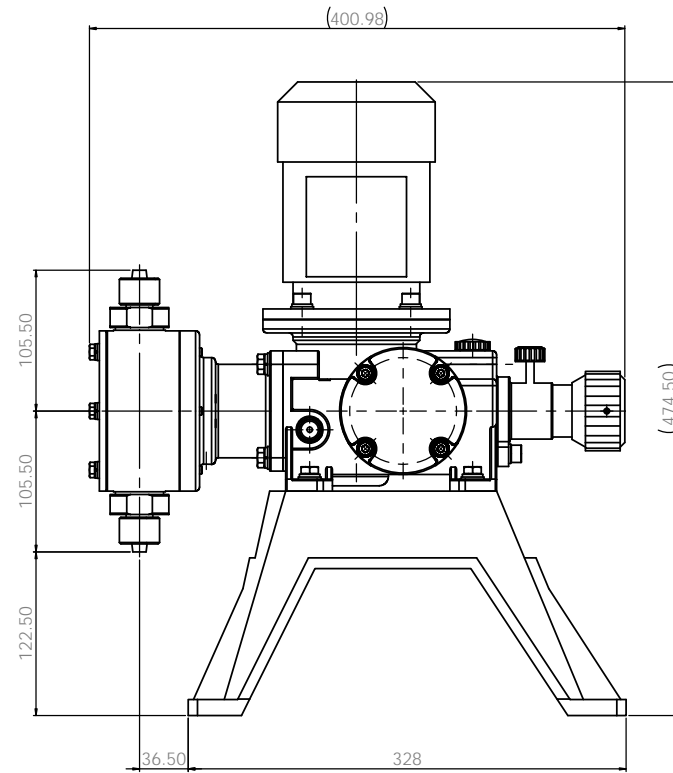
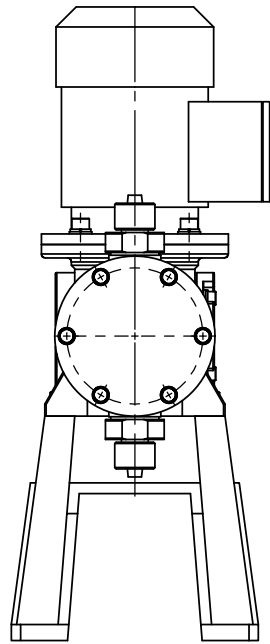
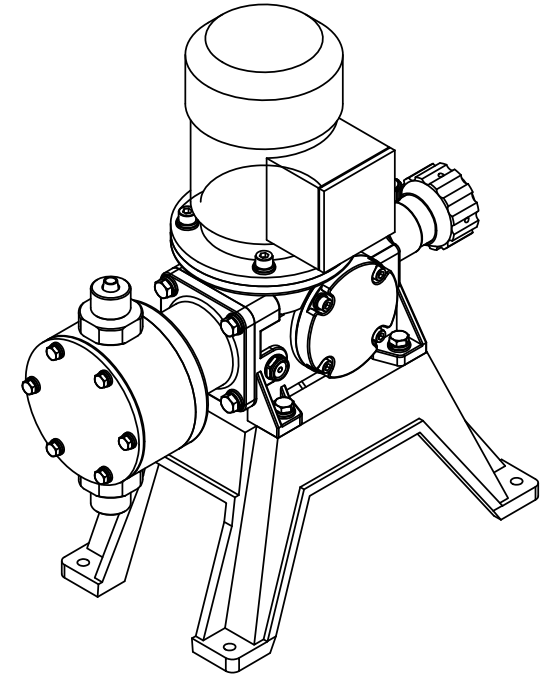
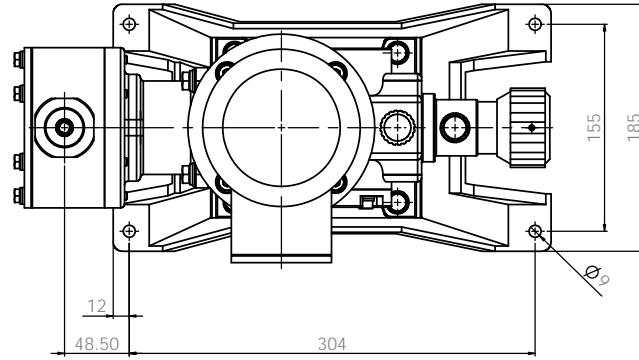


Note
 1. Model : GS1000
 2. Material : PP / PVDF
 3. Connection : Flange

| | | | | | | |
|---|----------|------------|--------------|----------------------|--|----------|
| ALL DIMENSIONS SPECIFIED UNLESS OTHERWISE SPECIFIED DIMENSIONS ARE IN MILLIMETERS | | | | DO NOT SCALE DRAWING | | REVISION |
| TOLERANCES UNLESS SPECIFIED | | | | FINISH | | |
| LINEAR | | | | RADIUS AND CHAMFER | | |
| ANGULAR | | | | DIP | | |
| DATE | BY | CHECKED | DATE | | | |
| 2020.02.21 | W. PARK | 2020.02.21 | | | | |
| 2020.02.21 | W. PARK | 2020.02.21 | | | | |
| 2020.02.21 | S.C. KIM | 2020.02.21 | | | | |
| MATERIAL | | | PVC | | | |
| DRAWING NO. | | | Q1000E1012A | | | A1 |
| SCALE 1:1 | | | SHEET 1 OF 1 | | | |

E-WHA CHEMICAL FEEDER CO., LTD.

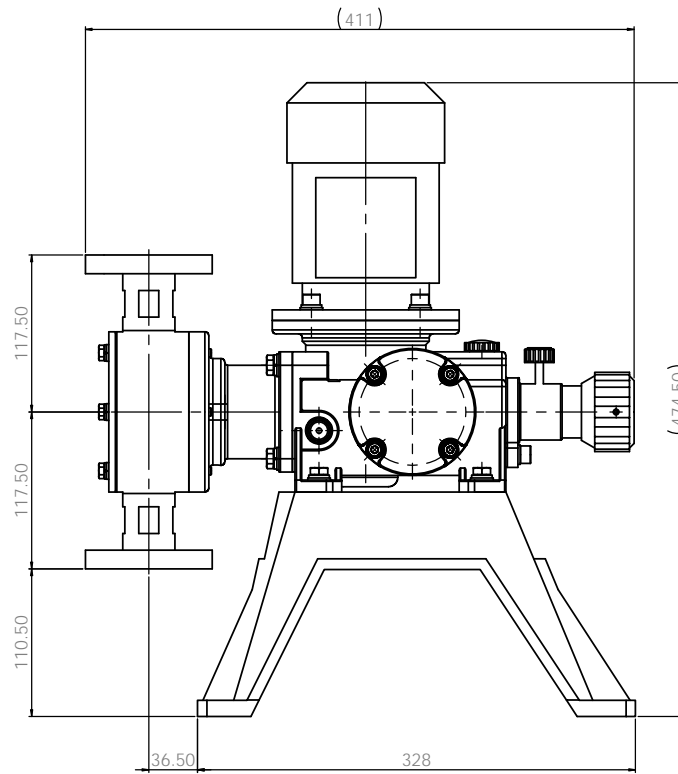
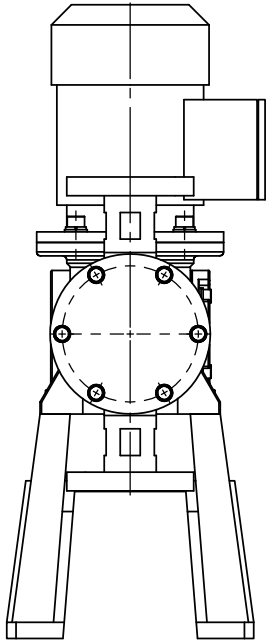
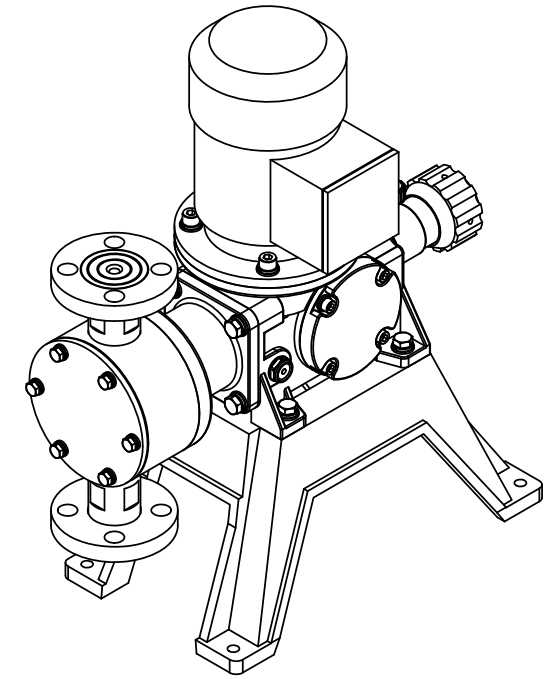
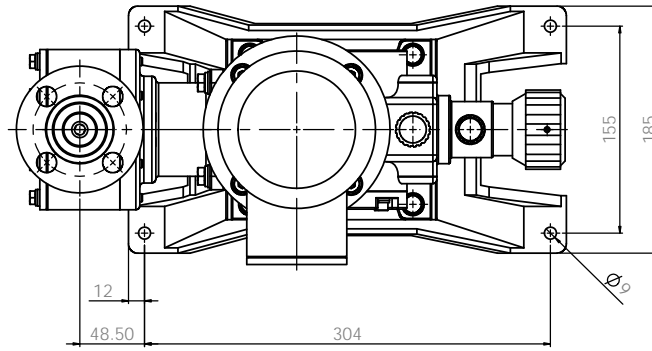
PUMP ASSEMBLY-DIM
 GS1000PCF-KS 10K 15A FF



Note

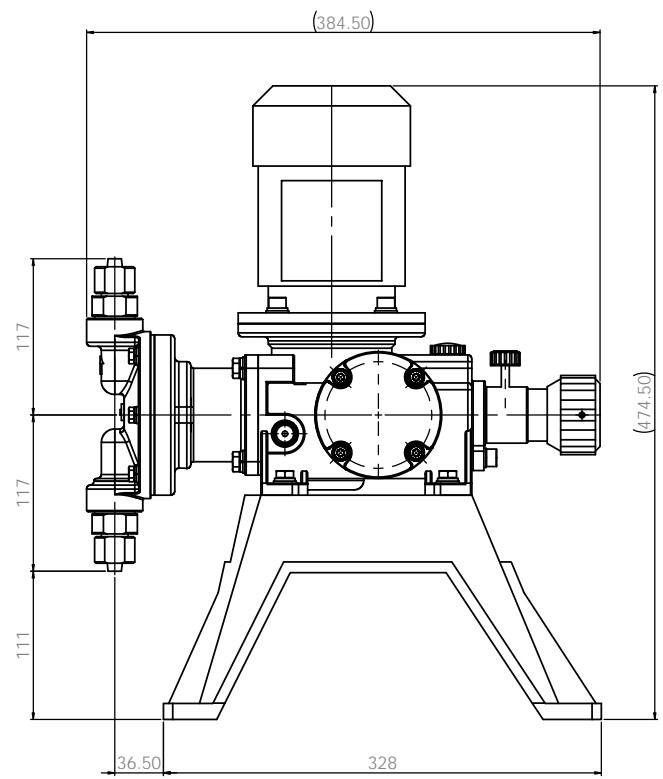
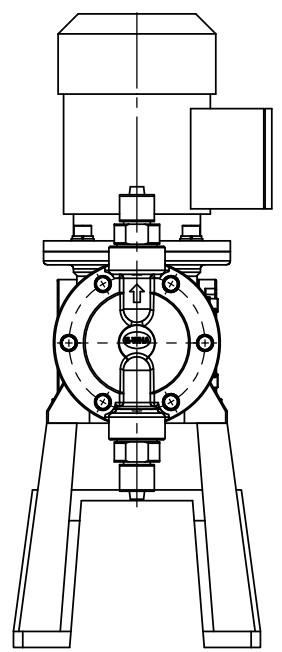
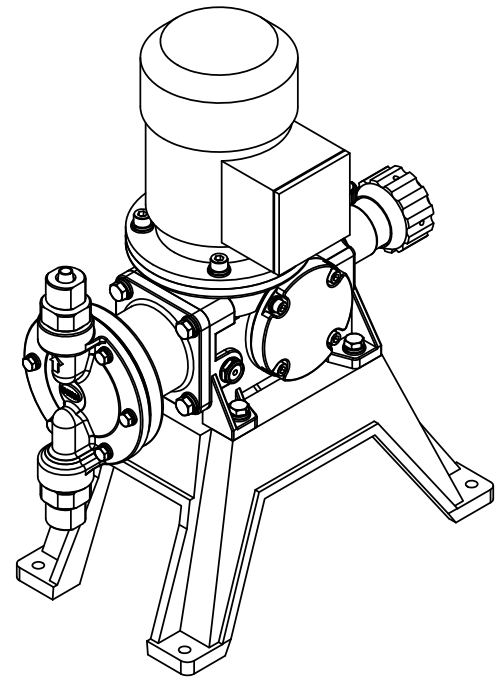
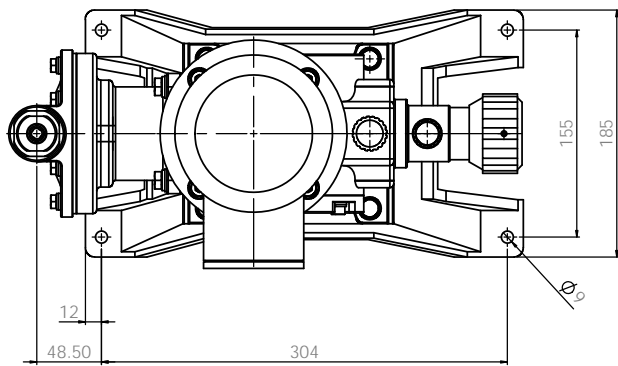
1. Model : GS1000
2. Material : PTFE
3. Connection : Hose

| | | | | | | | | | |
|--|----------|------------|-------|-----------------------------|-------|---------------------------------|--|----------|--|
| ALL DIMENSIONS SPECIFIED UNLESS OTHERWISE SPECIFIED DIMENSIONS ARE IN MILLIMETERS UNLESS INDICATED OTHERWISE | | FINISH | | EDGES AND BREAK SHARP EDGES | | DO NOT SCALE DRAWING | | REVISION | |
| DATE | SCALE | DATE | SCALE | DATE | SCALE | E-WHA CHEMICAL FEEDER CO., LTD. | | | |
| DRWING | W. PARK | 2020.02.21 | | | | PUMP ASSEMBLY-DIM | | | |
| CHKD | W. PARK | 2020.02.21 | | | | GS1000TCH-H10 | | | |
| APPROV | S.C. KIM | 2020.02.21 | | | | DWG NO. | | | |
| DES | | | | | | Q1004E1011A | | | |
| DWG | | | | | | MATERIAL | | | |
| | | | | | | PTFE | | | |
| | | | | | | SCALE 1:1 | | | |
| | | | | | | SHEET 1 OF 1 | | | |



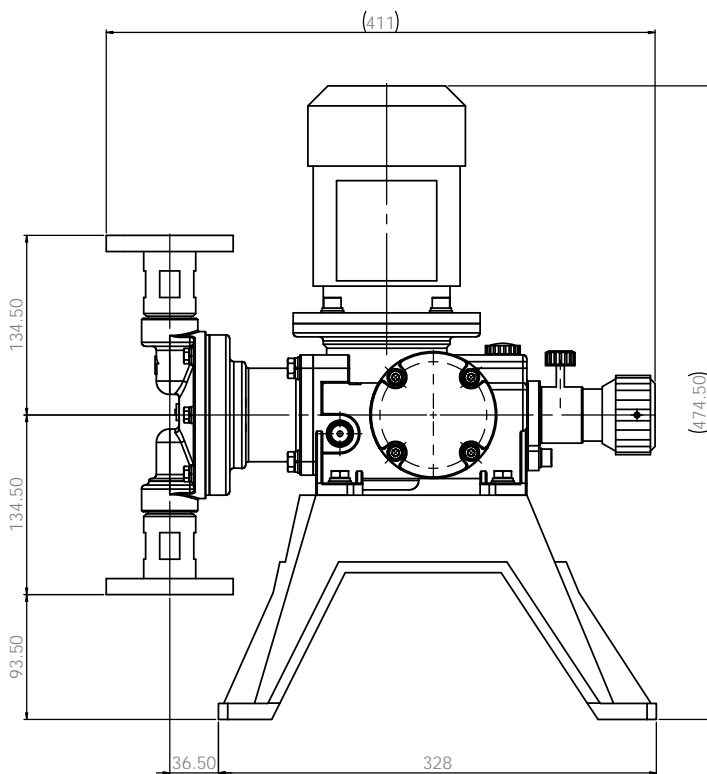
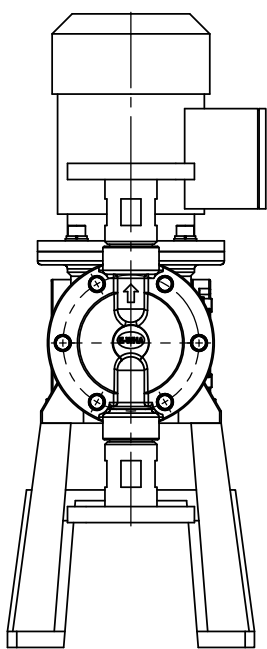
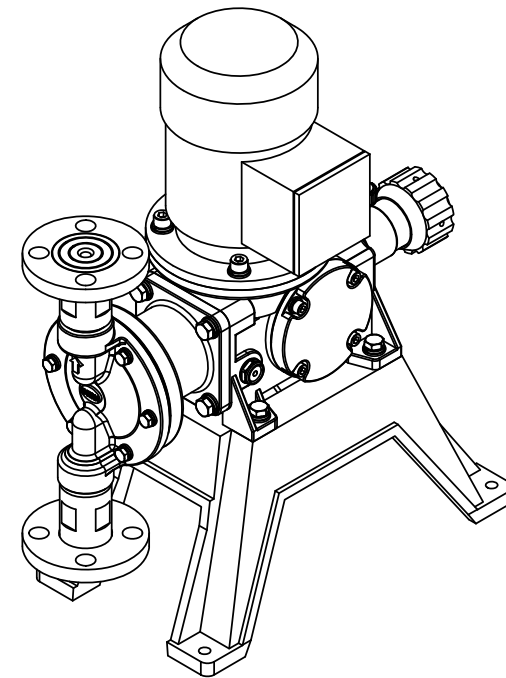
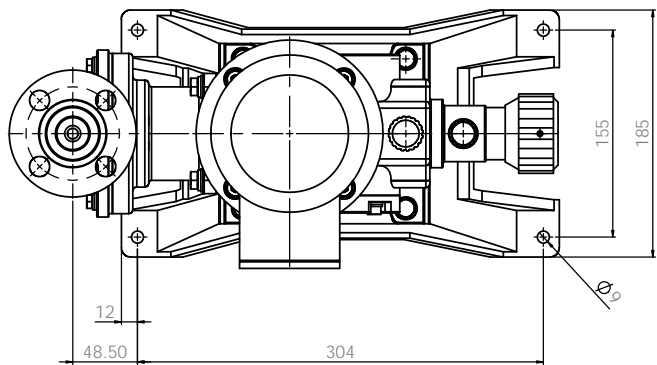
Note
 1. Model : GS1000
 2. Material : PTFE
 3. Connection : Flange

| PUMP ASSEMBLY-DIM | | | | E-WHA CHEMICAL FEEDER CO., LTD. | |
|-------------------|-----|----------|-------------|---------------------------------|--------|
| DATE | REV | BY | CHK | SCALE | SHEET |
| 2020.02.21 | 01 | W. PARK | W. PARK | 1:1 | 1 OF 1 |
| 2020.02.21 | 02 | W. PARK | W. PARK | 1:1 | 1 OF 1 |
| 2020.02.21 | 03 | S.C. KIM | S.C. KIM | 1:1 | 1 OF 1 |
| MATERIAL | | | PTFE | | |
| DRAWING NO. | | | Q1004E1012A | | |



Note
 1. Model : GS1000
 2. Material : Stainless steel
 3. Connection : Hose

| | | | | | | | | | |
|---|----------|--------------|------------|---------------------------|--|----------------------|--|----------|--|
| ALL DIMENSIONS SPECIFIED UNLESS OTHERWISE SPECIFIED DIMENSIONS ARE IN MILLIMETERS | | FINISH | | EDGE AND BREAK SHARP ENDS | | DO NOT SCALE DRAWING | | REVISION | |
| TOLERANCES UNLESS SPECIFIED | | | | | | | | | |
| LINEAR | | | | | | | | | |
| ANGULAR | | | | | | | | | |
| DATE | DRW | DESIGNER | DATE | | | | | | |
| 2024.02.21 | W. PAK | | 2024.02.21 | | | | | | |
| 2024.02.21 | W. PAK | | 2024.02.21 | | | | | | |
| 2024.02.21 | S.C. KHA | | 2024.02.21 | | | | | | |
| 2024.02.21 | W.P. | | | | | | | | |
| MATERIAL | | SUS304 | | DWG NO. | | Q1201E1011A | | A1 | |
| SCALE 1:1 | | SHEET 1 OF 1 | | | | | | | |



Note
 1. Model : GS1000
 2. Material : Stainless steel
 3. Connection : Flange

| | | | |
|---|--|---|--|
| ALL DIMENSIONS SPECIFIED UNLESS OTHERWISE SPECIFIED DIMENSIONS ARE IN MILLIMETERS TOLERANCES: FINISH: ANGULAR | | FINISH: BRASS AND BRASS SHARP EDGE | DO NOT SCALE DRAWING REVISION |
| DRAWN: W. PARK CHECK: W. PARK APPROV: S.C. KAP | DESIGNER: S.C. KAP DATE: 2020.02.21 DATE: 2020.02.21 DATE: 2020.02.21 | MATERIAL: SUS304 | E-WHA CHEMICAL FEEDER CO., LTD. PUMP ASSEMBLY-DIM GS1000S4S4F-KS 10K 15A FF Q1201E1012A |
| SHEET NO. 1 OF 1 | | SCALE: 1:1 | A1 |