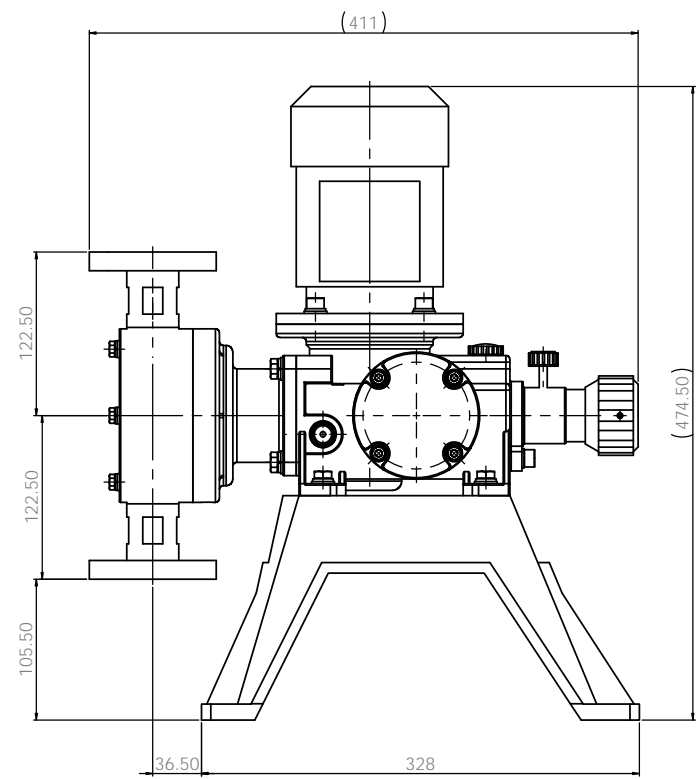
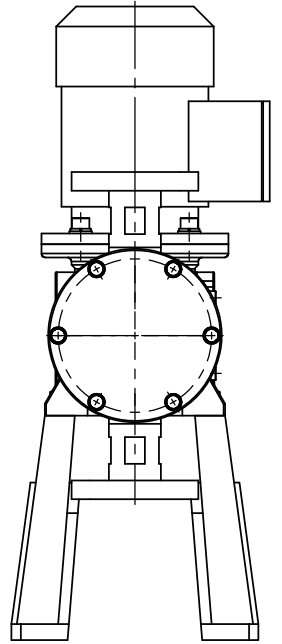
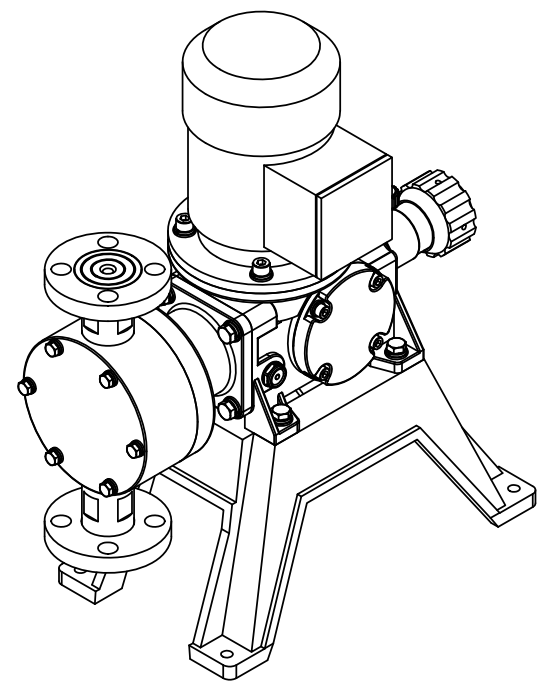
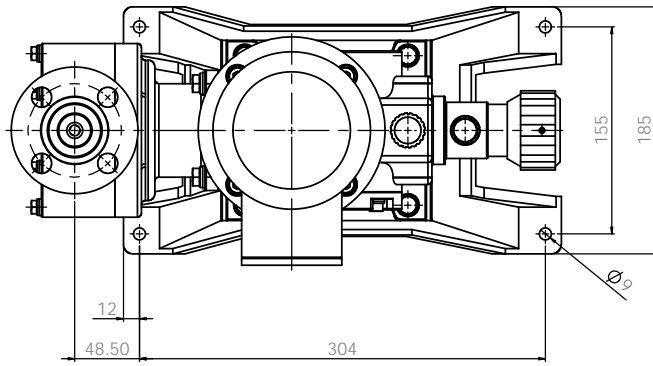


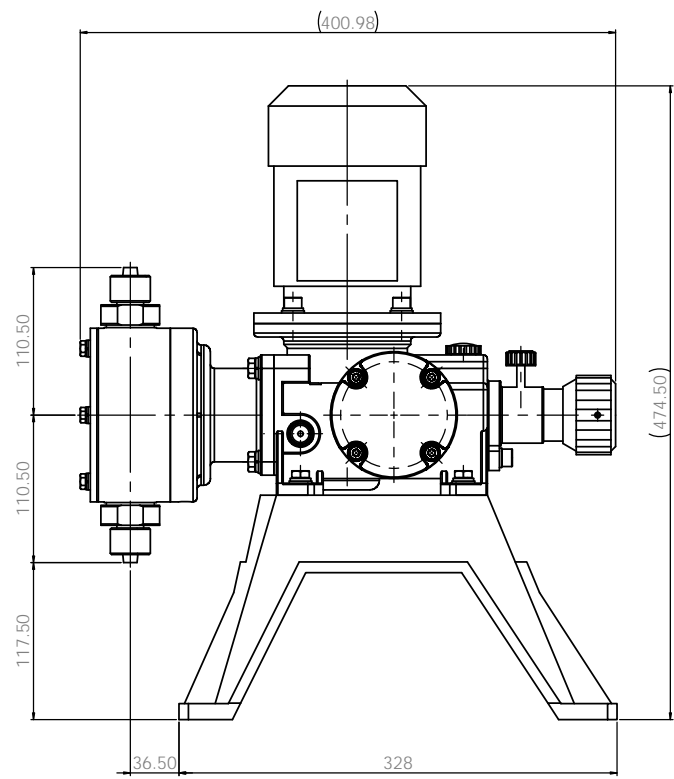
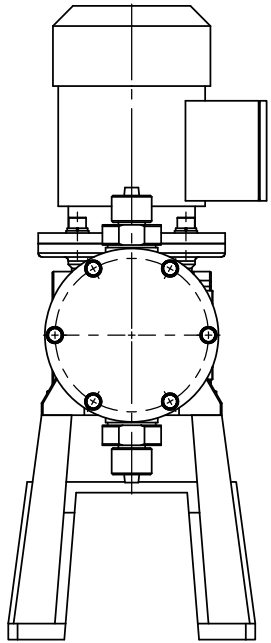
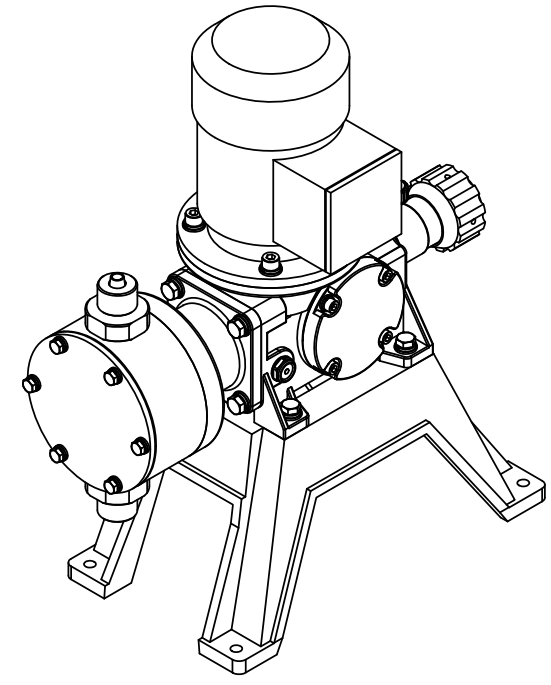
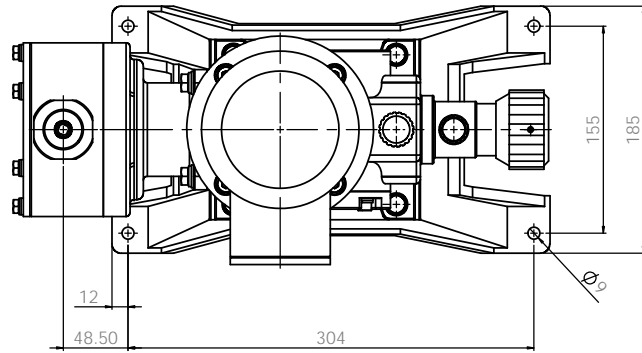
**Note**  
 1. Model : GS2000  
 2. Material : PP / PVDF  
 3. Connection : Hose

ALL DIMENSIONS SPECIFIED UNLESS OTHERWISE SPECIFIED DIMENSIONS ARE IN MILLIMETERS TOLERANCES: FINISH: ANGULAR				FINISH: BEVEL SHARP EXCEL		DO NOT SCALE DRAWING		REVISION	
DRAWN: W. PARK CHECK: W. PARK APPROV: S.C. KIM DATE: 2020.02.21 DATE: 2020.02.21 DATE: 2020.02.21				DESIGNED: W. PARK DATE: 2020.02.21		E-WHA CHEMICAL FEEDER CO., LTD.		TITLE: PUMP ASSEMBLY-DIM GS2000PCH-H10	
Dwg. No.: Q1000E1013A				Material: PVC		Scale: 1:1		Sheet: 1 of 1	



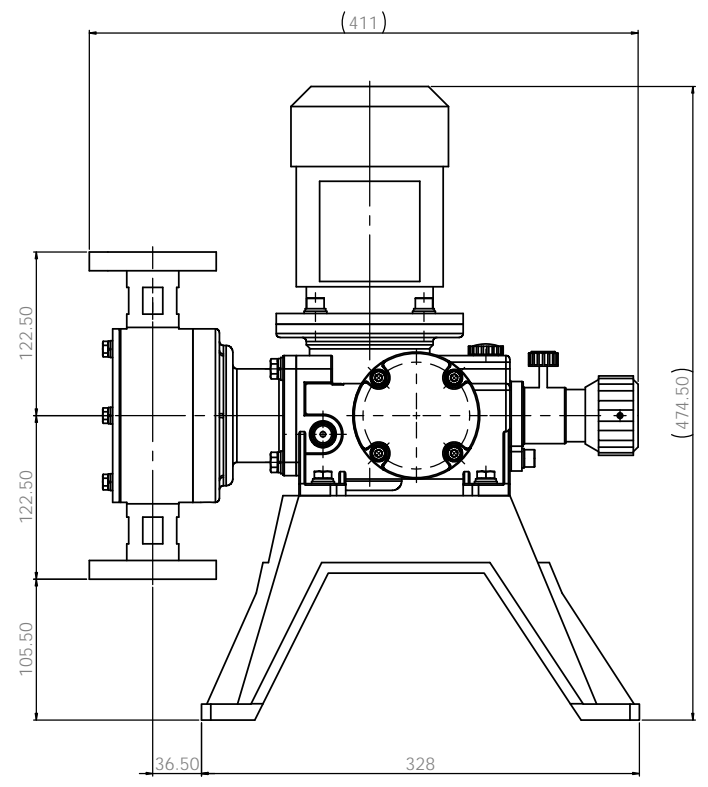
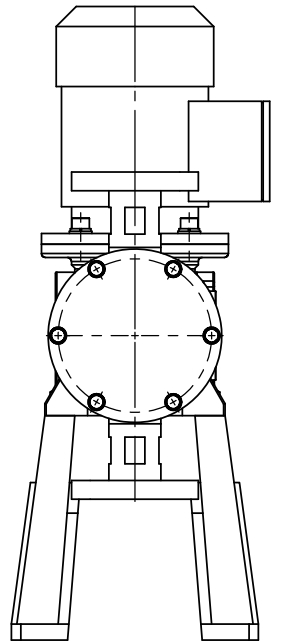
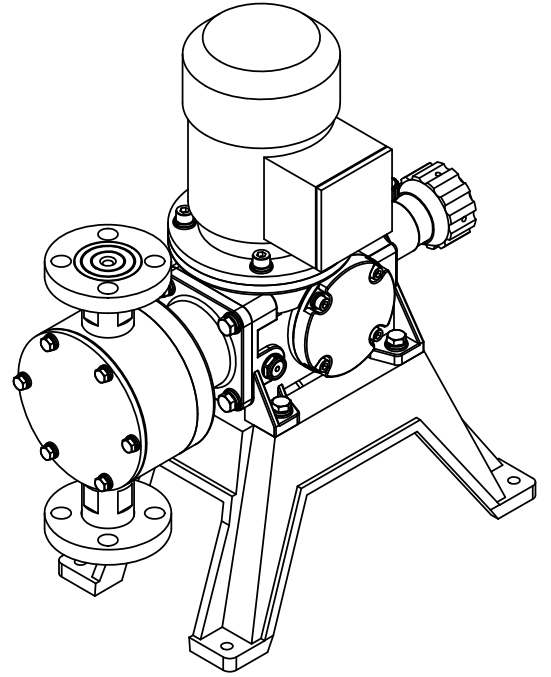
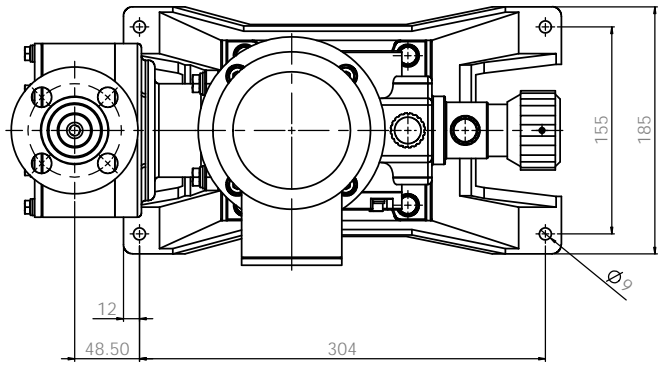
**Note**  
 1. Model : GS2000  
 2. Material : PP / PVDF  
 3. Connection : Flange

ALL DIMENSIONS SPECIFIED UNLESS OTHERWISE SPECIFIED DIMENSIONS ARE IN MILLIMETERS TOLERANCES: FINISH: ANGULAR		FINISH: BEZEL SHARP EDGE	DO NOT SCALE DRAWING REVISION
DRAWN: W. PARK CHECK: W. PARK APPROV: S.C. KHA DATE: 2020.02.21 DATE: 2020.02.21 DATE: 2020.02.21	DESIGNED: S.C. KHA DATE: 2020.02.21	MATERIAL: PVC	PART NO.: Q1000E1014A SHEET NO.: A1
E-WHA CHEMICAL FEEDER CO., LTD. PUMP ASSEMBLY-DIM GS2000PCF-KS 10K 15A FF		SCALE: 1:1	SHEET 1 OF 1



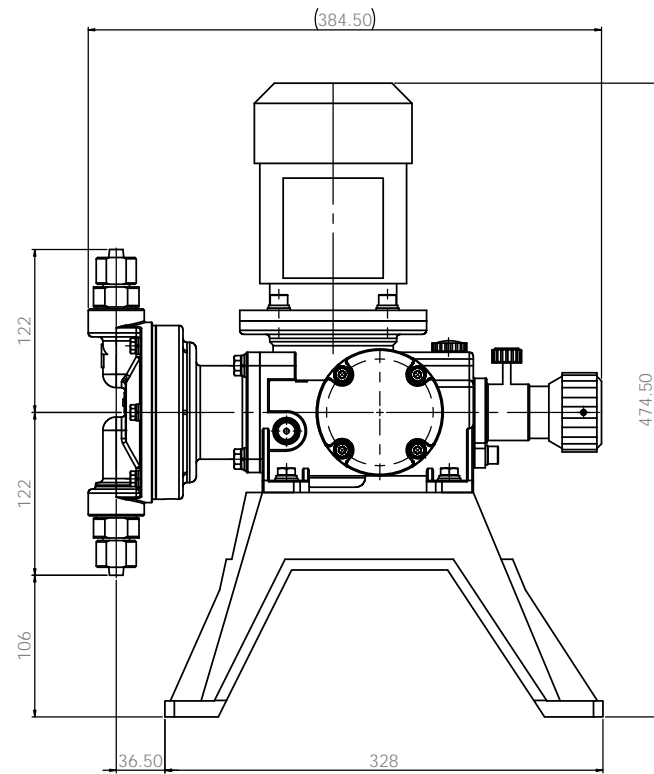
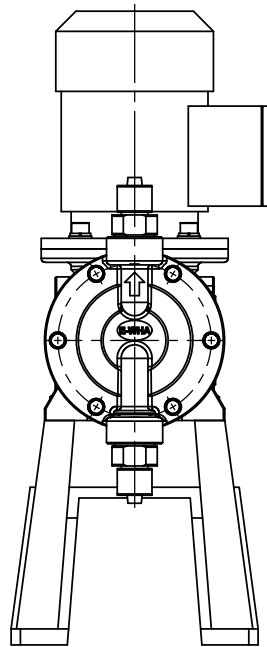
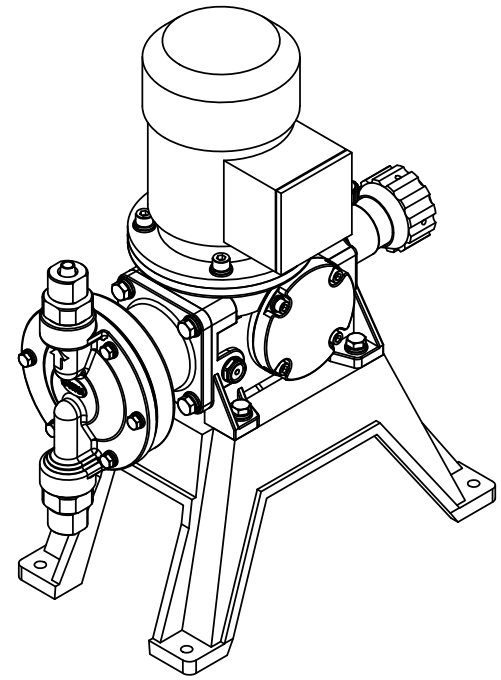
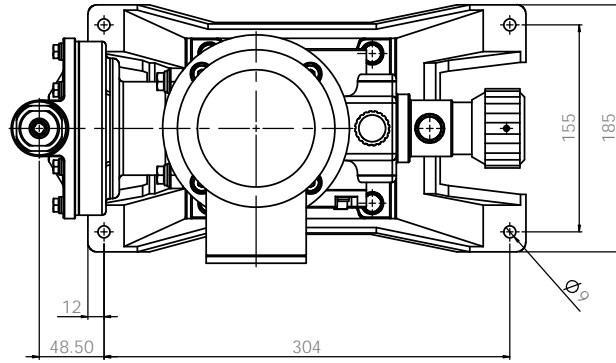
**Note**  
 1. Model : GS2000  
 2. Material : PTFE  
 3. Connection : Hose

ALL DIMENSIONS SPECIFIED UNLESS OTHERWISE SPECIFIED DIMENSIONS ARE IN MILLIMETERS TOLERANCES: FINISH: ±0.05 ANGULAR: ±0.5°		FINISH: RUGGED AND BREAK SHARP EDGES	DO NOT SCALE DRAWING REVISION:
DRAWN: W. PARK CHECK: W. PARK APPROV: S.C. KIM DATE: 2020.02.21 2020.02.21 2020.02.21	MODEL: GS2000CH DATE: 2020.02.21	MATERIAL: PTFE	E-WHA CHEMICAL FEEDER CO., LTD. PUMP ASSEMBLY-DIM GS2000TCH-H10 Q1004E1013A A1
SCALE: 1:1 SHEET 1 OF 1			



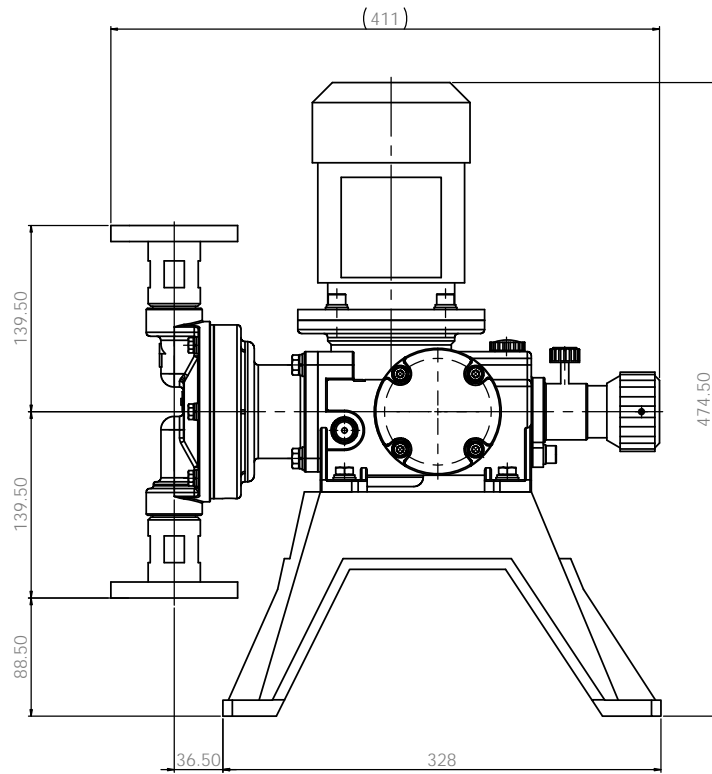
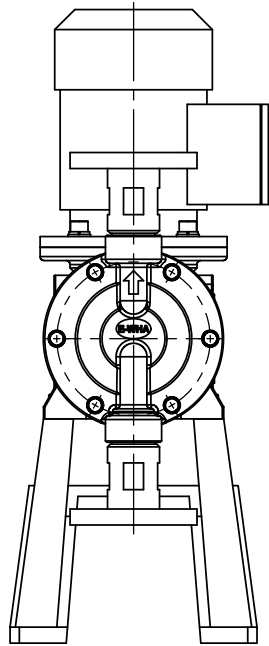
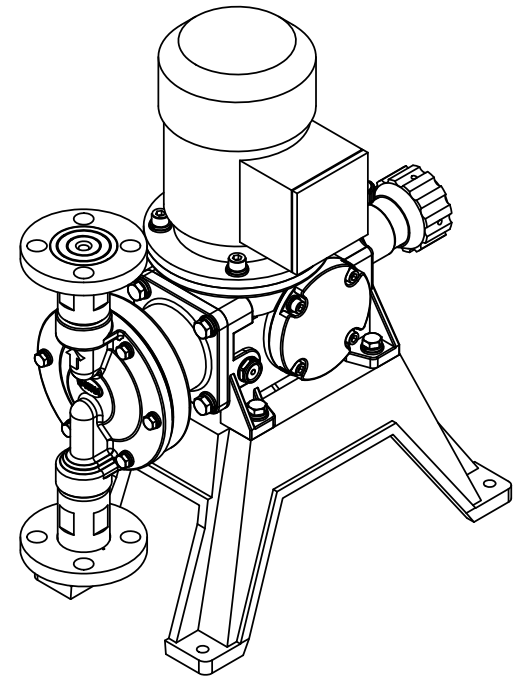
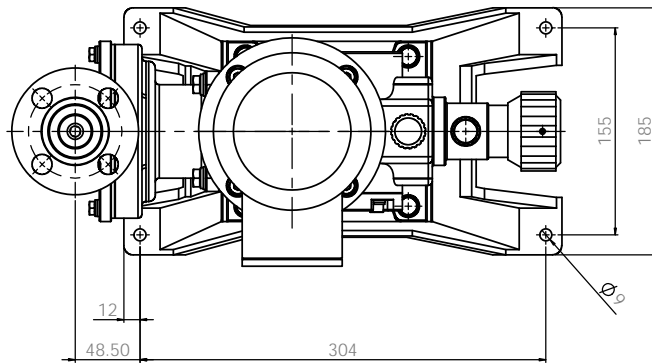
**Note**  
 1. Model : GS2000  
 2. Material : PTFE  
 3. Connection : Flange

<small>ALL DIMENSIONS SPECIFIED UNLESS OTHERWISE SPECIFIED DIMENSIONS ARE IN MILLIMETERS</small> DIMENSIONS: LINEAR: ANGULAR:		<small>FINISH</small> DO NOT SCALE DRAWING	<small>EDGE AND BREAK SHARP ENDS</small> REVISION
<small>DATE</small> 2020.02.21	<small>DATE</small> 2020.02.21	<small>DATE</small> 2020.02.21	<small>DATE</small> 2020.02.21
<small>DESIGN</small> W. PARK	<small>DESIGNER</small> W. PARK	<small>DATE</small> 2020.02.21	<small>DATE</small> 2020.02.21
<small>APPROVED</small> S.C. KIM	<small>APPROVER</small> S.C. KIM	<small>DATE</small> 2020.02.21	<small>DATE</small> 2020.02.21
<small>DRAWN</small> W. PARK	<small>DATE</small> 2020.02.21	<small>MATERIAL</small> PTFE	<small>DWG. NO.</small> Q1004E1014A
<small>SCALE</small> 1:1	<small>SHEET</small> 1 OF 1	<small>COMPANY</small> E-WHA CHEMICAL FEEDER CO., LTD.	<small>REVISION</small>



**Note**  
 1. Model : GS2000  
 2. Material : Stainless steel  
 3. Connection : Hose

ALL DIMENSIONS SPECIFIED UNLESS OTHERWISE SPECIFIED DIMENSIONS ARE IN MILLIMETERS TOLERANCES: FINISH: ANGULAR		FINISH: BRASS AND BRASS SHARP DROPS	DO NOT SCALE DRAWING REVISION
DRAWN: W. PAKK CHECK: W. PAKK APPROV: S.C. KHA DATE: 2020.02.21 DATE: 2020.02.21 DATE: 2020.02.21		TITLE: PUMP ASSEMBLY-DIM GS2000S4S4H-H10	SHEET NO: Q1201E1013A
D.L.A. MATERIAL: SUS304		SHEET NO: Q1201E1013A	A1



**Note**  
 1. Model : GS2000  
 2. Material : Stainless steel  
 3. Connection : Flange

ALL DIMENSIONS SPECIFIED UNLESS OTHERWISE SPECIFIED DIMENSIONS ARE IN MILLIMETERS		FINISH		TOLERANCE AND SURFACE FINISH		DO NOT SCALE DRAWING		REVISION	
DIMENSIONS		TOLERANCE		SURFACE FINISH					
LINEAR		ANGULAR		Rough					
DATE	BY	DATE	BY	DATE	BY	DATE	BY	DATE	BY
2024.02.21	W. PARK	2024.02.21	W. PARK	2024.02.21	S.C. KIM				
2024.02.21	W. PARK	2024.02.21	W. PARK	2024.02.21	S.C. KIM				
2024.02.21	W. PARK	2024.02.21	W. PARK	2024.02.21	S.C. KIM				
D.W.		S.C. KIM		SUS304		Q1201E1014A		A1	
SCALE 1:1		SHEET 1 OF 1							