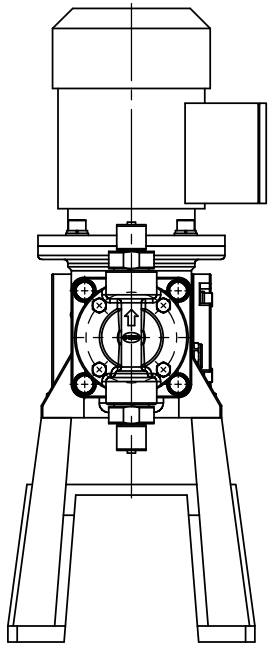
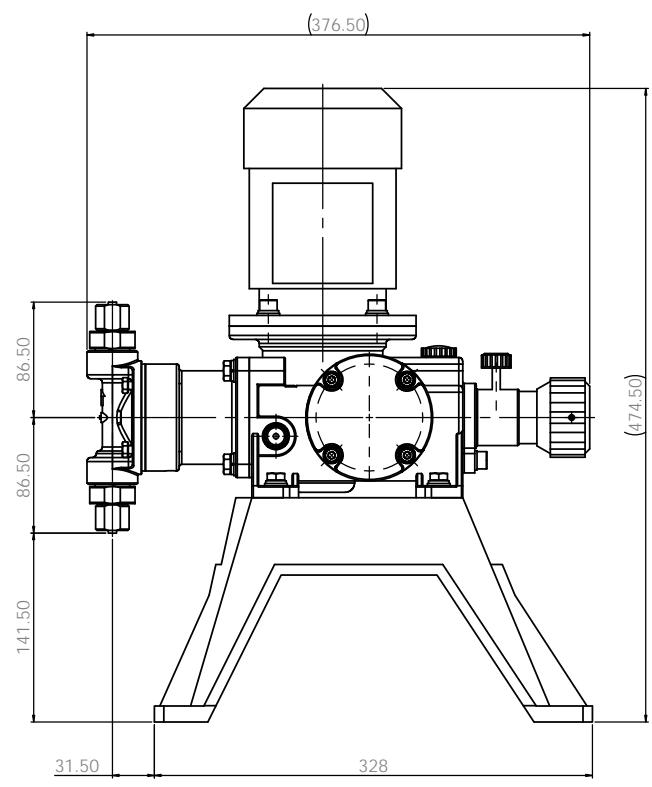
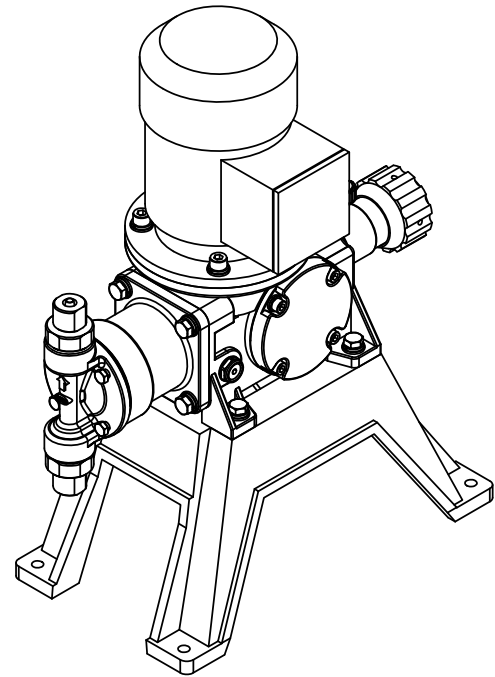
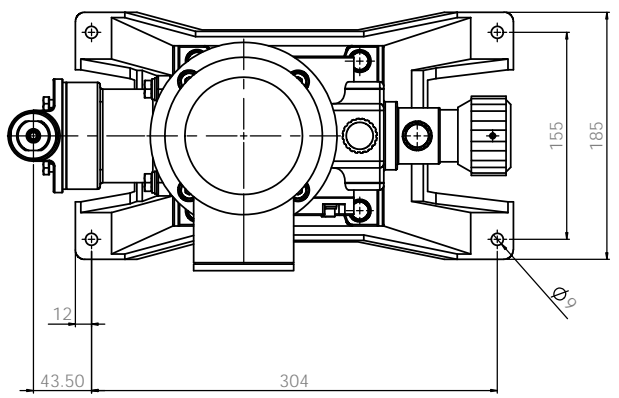


Note
 1. Model : GS25
 2. Material : PP / PVDF
 3. Connection : Flange

ALL DIMENSIONS SPECIFIED UNLESS OTHERWISE SPECIFIED DIMENSIONS ARE IN MILLIMETERS TOLERANCES: FINISH: ANGULAR			FINISH: BRUSH BRUSH GRAB POLISH			DO NOT SCALE DRAWING REVISION	
DATE:	DATE:	DATE:	DATE:	DATE:	DATE:	E-WHA CHEMICAL FEEDER CO., LTD.	
DESIGNER:	DRIVER:	DESIGNER:	DATE:	DATE:	DATE:	PUMP ASSEMBLY-DIM GS25PCF-KS 10K 15A FF	
DATE:	DATE:	DATE:	DATE:	DATE:	DATE:	Q1000E1002A	
DATE:	DATE:	DATE:	DATE:	DATE:	DATE:	A1	
DATE:	DATE:	DATE:	DATE:	DATE:	DATE:	SCALE 1:1 SHEET 1 OF 1	



Note
 1. Model : GS25
 2. Material : Stainless steel
 3. Connection : Hose

ALL DIMENSIONS SPECIFIED UNLESS OTHERWISE SPECIFIED DIMENSIONS ARE IN MILLIMETERS TOLERANCES: FINISH: ANGULAR		FINISH: SURFACE AND BREAK SHARP EDGES	DO NOT SCALE DRAWING REVISION
DRAWN: W. PARK CHECK: W. PARK APPROV: S.C. KIM DATE: 2020.02.21 DATE: 2020.02.21 DATE: 2020.02.21		TITLE: PUMP ASSEMBLY-DIM GS25S4S4H-H06	SHEET NO: Q1201E1001A
MATERIAL: SUS304		SHEET NO: Q1201E1001A	A1

