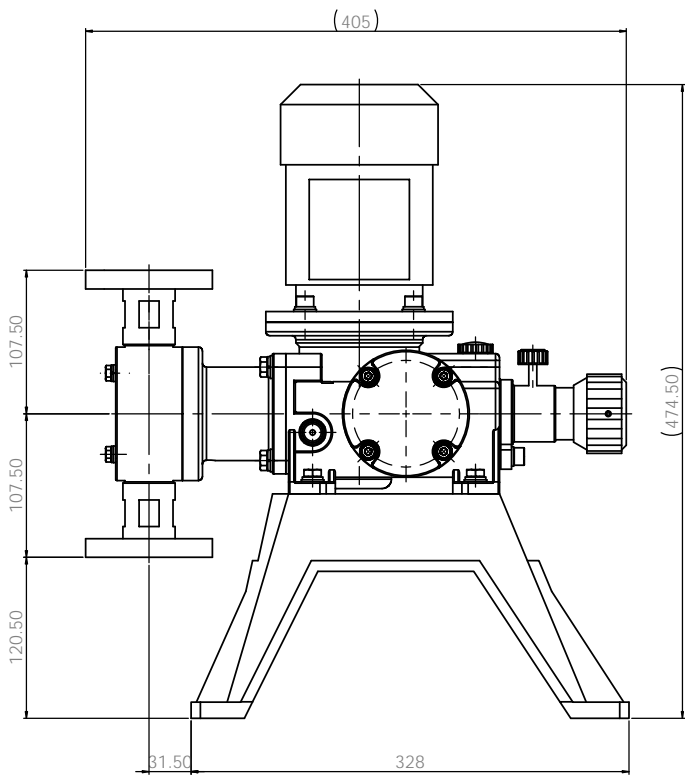
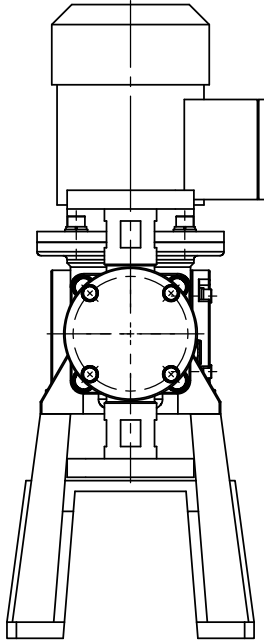
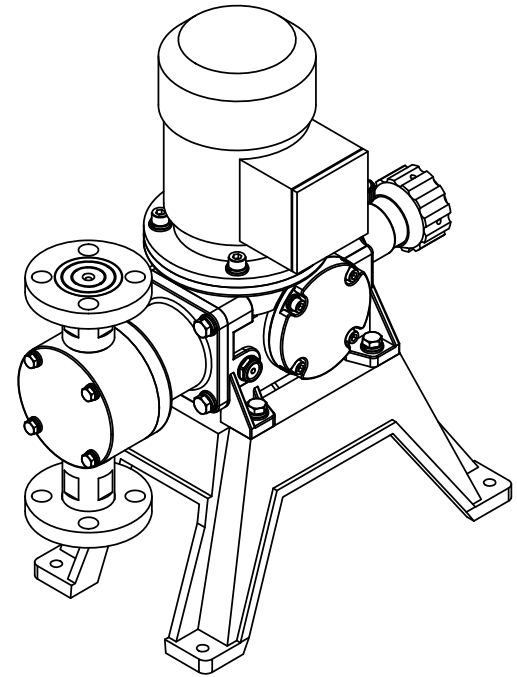
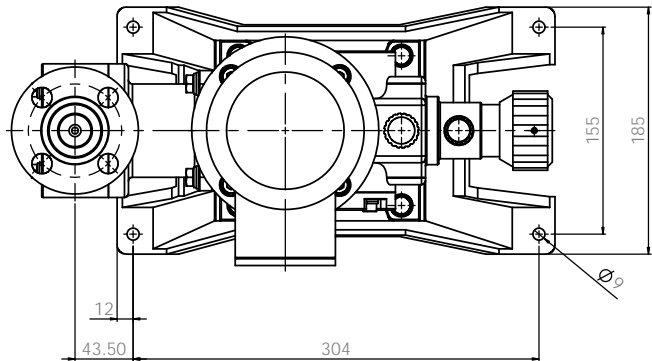


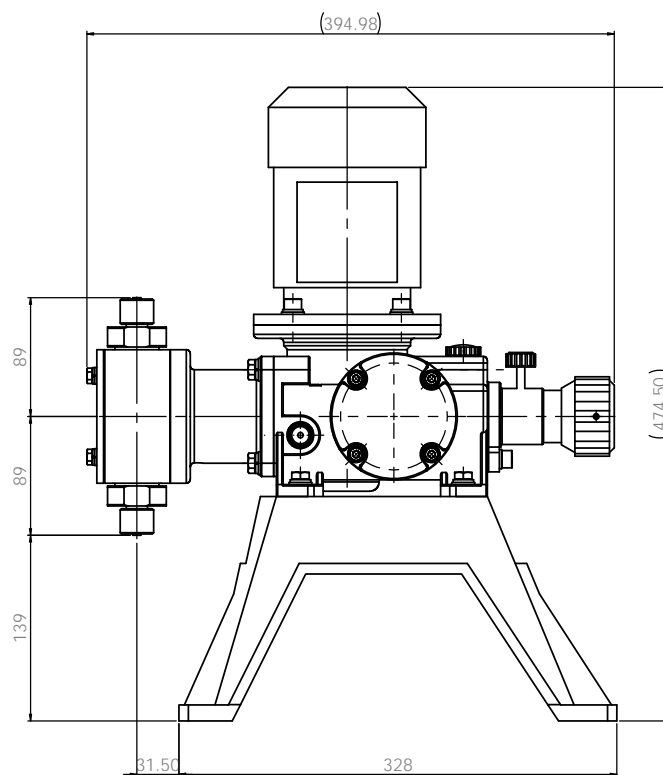
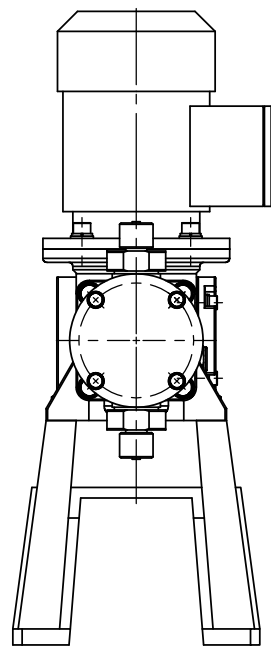
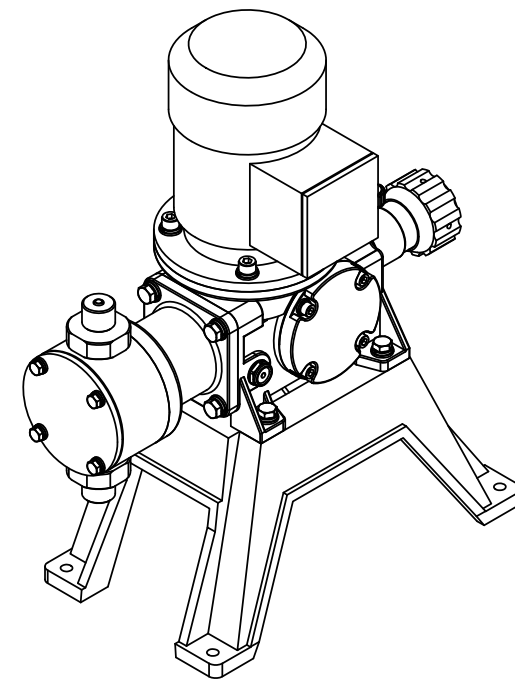
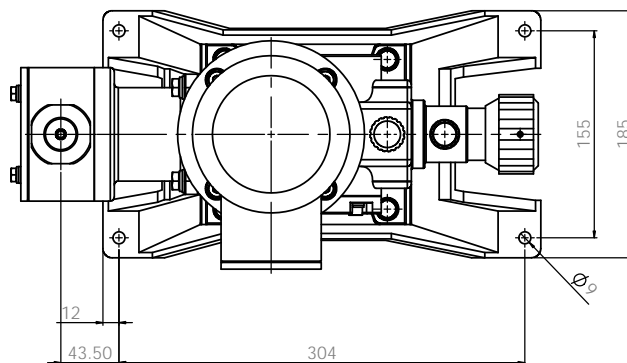
Note
 1. Model : GS300
 2. Material : PP / PVDF
 3. Connection : Hose

ALL DIMENSIONS SPECIFIED UNLESS OTHERWISE SPECIFIED DIMENSIONS ARE IN MILLIMETERS UNLESS INDICATED OTHERWISE				UNITS: ANGULAR DEGREE		DO NOT SCALE DRAWING		REVISION	
DRAWN: W. PARK				DATE: 2020.02.21		E-WHA CHEMICAL FEEDER CO., LTD.			
CHECK: W. PARK				DATE: 2020.02.21		PUMP ASSEMBLY-DIM			
APPROV: S.C. KIM				DATE: 2020.02.21		GS300PCH-H06			
MATERIAL: PVC				DRAWING NO: Q1000E1007A		A1			
SCALE: 1:1				SHEET: 1 OF 1					



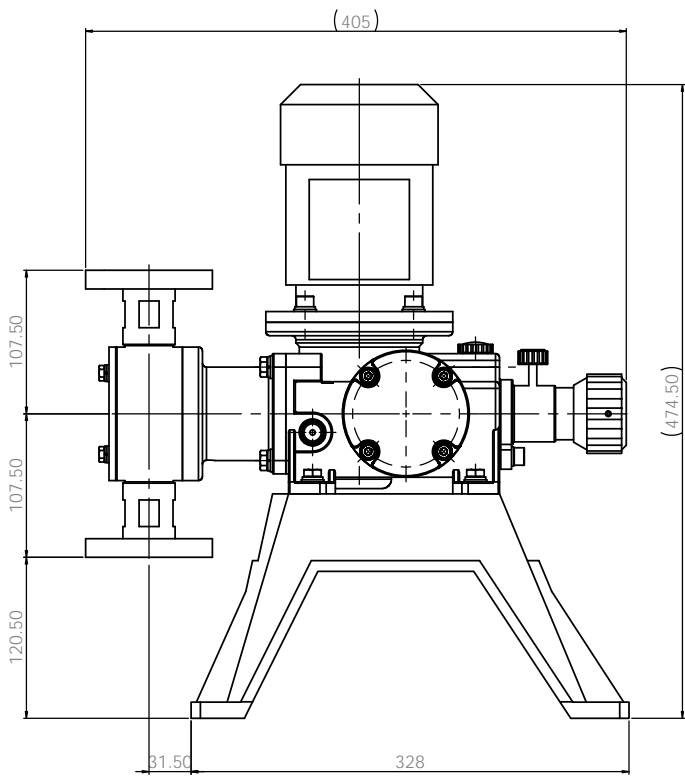
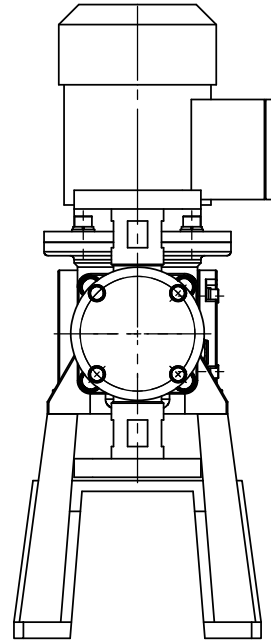
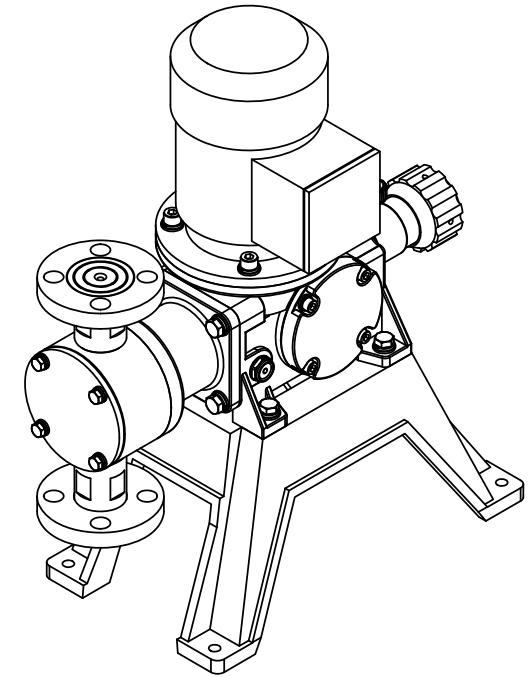
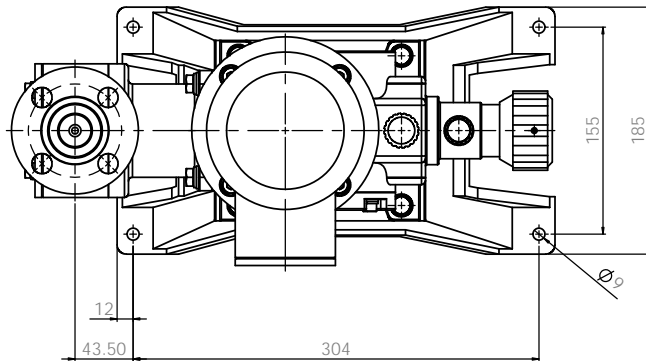
Note
 1. Model : GS300
 2. Material : PP / PVDF
 3. Connection : Flange

ALL DIMENSIONS SPECIFIED UNLESS OTHERWISE SPECIFIED DIMENSIONS ARE IN MILLIMETERS		FINISH		TOLERANCE AND BREAK SHARP EDGES		DO NOT SCALE DRAWING		REVISION	
TOLERANCE: HORIZONTAL ANGULAR								E-WHA CHEMICAL FEEDER CO., LTD.	
DATE	DATE	DATE	DATE						
DESIGNER	W. PAKK	2020.02.21							
CHECKER	W. PAKK	2020.02.21							
APPROVED	S.C. KEA	2020.02.22							
BY									
DRAWING NO.									
MATERIAL	PVC								
REVISION									
SCALE	1:1								
SHEET	1 OF 1								



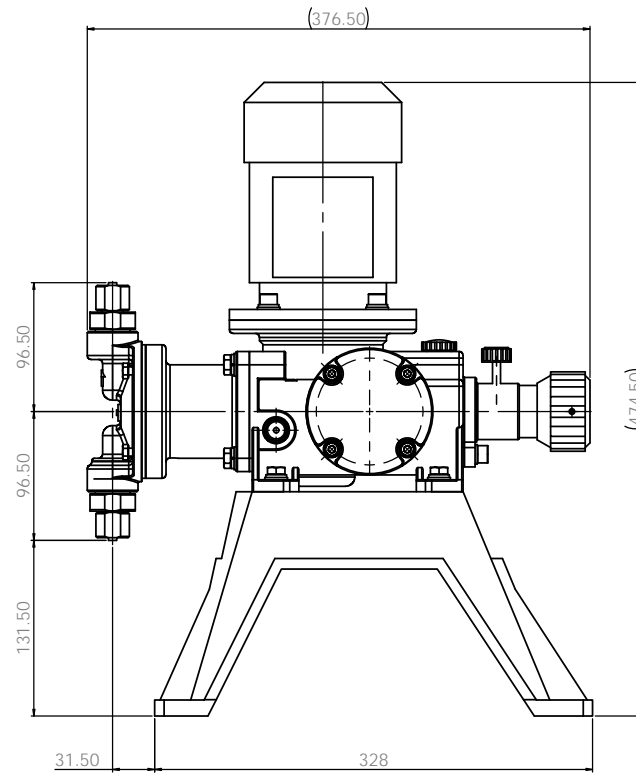
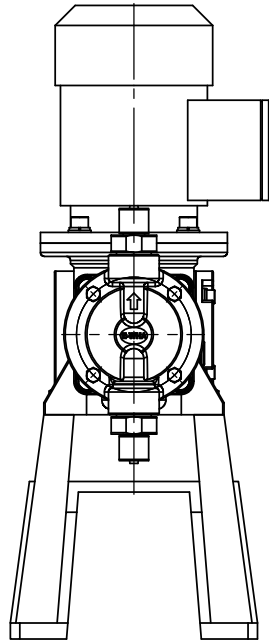
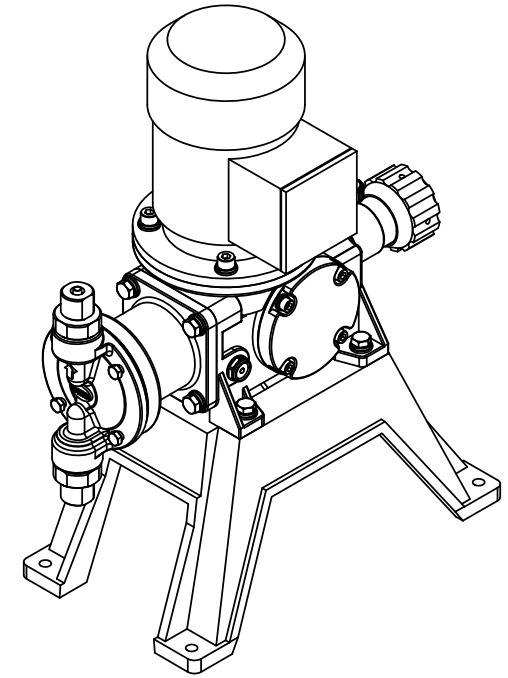
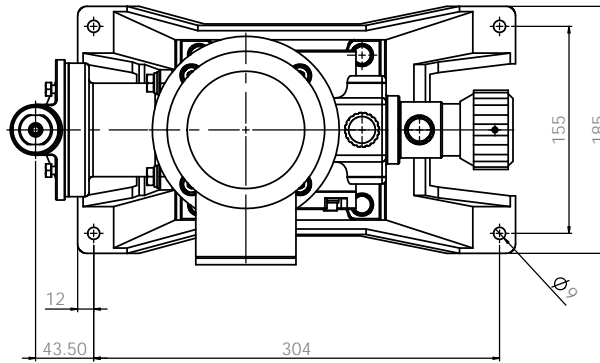
Note
 1. Model : GS300
 2. Material : PTFE
 3. Connection : Hose

ALL DIMENSIONS SPECIFIED UNLESS OTHERWISE SPECIFIED DIMENSIONS ARE IN MILLIMETERS UNLESS INDICATED OTHERWISE				FINISH		EDGE AND BREAK SHARP ENDS		DO NOT SCALE DRAWING		REVISION	
TOLERANCES UNLESS OTHERWISE SPECIFIED				RADIUS		DIP		E-WHA CHEMICAL FEEDER CO., LTD.		REV	
LINEAR				ANGULAR		DIP		DATE		REV	
DRAWN				DATE		DATE		DATE		REV	
CHECK				DATE		DATE		DATE		REV	
APPROV				DATE		DATE		DATE		REV	
MATERIAL				DATE		DATE		DATE		REV	
SCALE 1:1				DATE		DATE		DATE		REV	
SHEET 1 OF 1				DATE		DATE		DATE		REV	



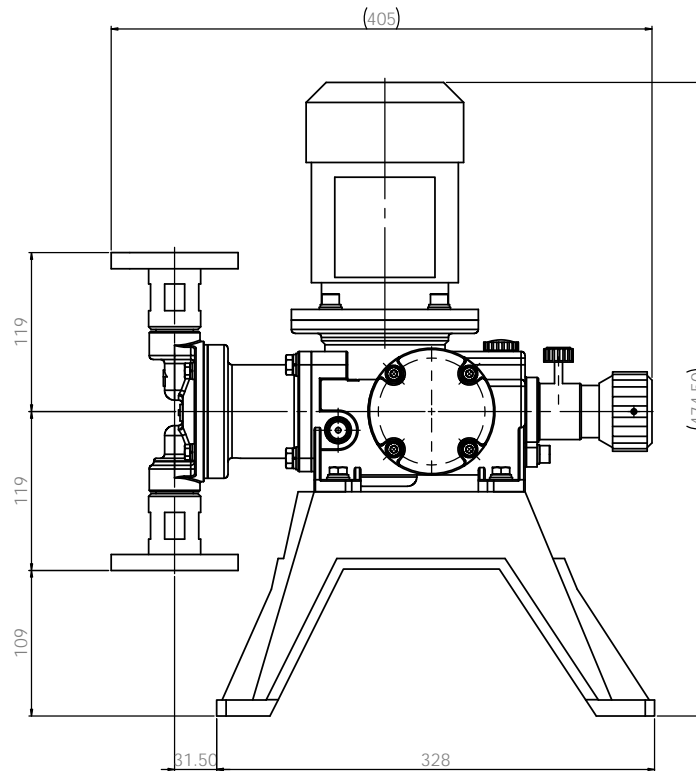
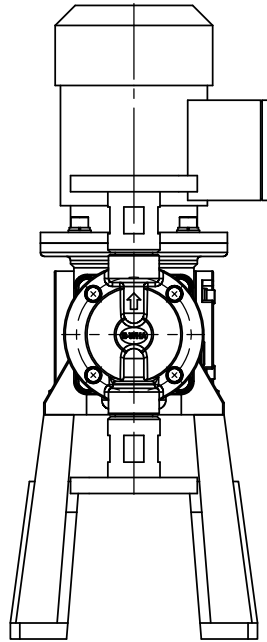
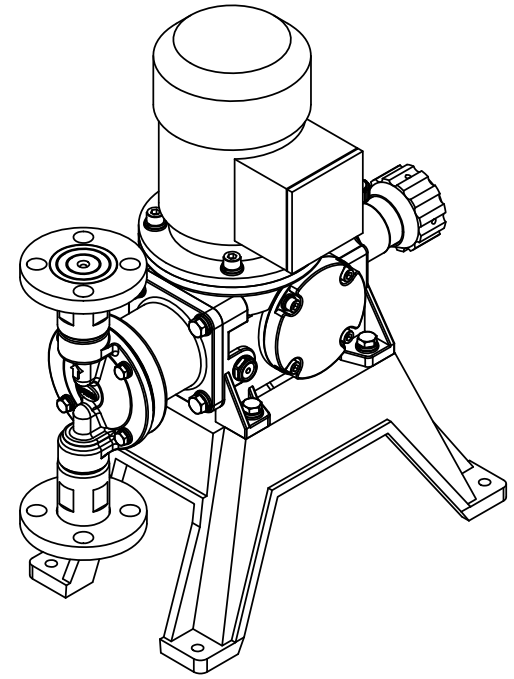
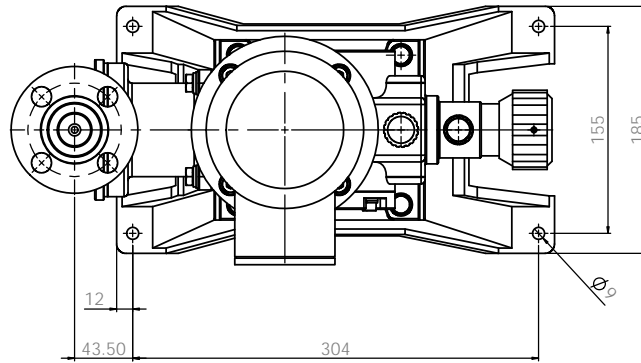
Note
 1. Model : GS300
 2. Material : PTFE
 3. Connection : Flange

ALL DIMENSIONS SPECIFIED UNLESS OTHERWISE SPECIFIED DIMENSIONS ARE IN MILLIMETERS				FINISH AND BREAK SHARP EDGES		DO NOT SCALE DRAWING		REVISION	
TOLERANCES UNLESS OTHERWISE SPECIFIED				DIMENSIONS		E-WHA CHEMICAL FEEDER CO., LTD.		REV.	
LINEAR	ANGULAR	DATE	DESIGNER	DATE	DRWING	PUMP ASSEMBLY-DIM			
±0.05	±0.1	2024.02.21	W. PARK	2024.02.21	W. PARK	GS300TCF-KS 10K 15A FF			
±0.05	±0.1	2024.02.21	S.C. KIM	2024.02.21	S.C. KIM	MATERIAL			
±0.05	±0.1					PTFE			
±0.05	±0.1					DRAWING NO. Q1004E1008A			
±0.05	±0.1					SCALE 1:1			
±0.05	±0.1					SHEET 1 OF 1			



Note
 1. Model : GS300
 2. Material : Stainless steel
 3. Connection : Hose

PUMP ASSEMBLY-DIM				E-WHA CHEMICAL FEEDER CO., LTD.	
DATE	REV	BY	CHK	DATE	REV
2020.02.21					
2020.02.21					
2020.02.21					
MATERIAL: SUS304			DRAWING NO: Q1201E1007A		
SCALE: 1:1			SHEET 1 OF 1		



Note
 1. Model : GS300
 2. Material : Stainless steel
 3. Connection : Flange

ALL DIMENSIONS SPECIFIED UNLESS OTHERWISE SPECIFIED DIMENSIONS ARE IN MILLIMETERS		UNITS		RADIUS AND CHAMFER SHARP UNLESS SPECIFIED		DO NOT SCALE DRAWING		REVISION	
DIMENSIONS		TOLERANCES		ANGULAR					
DATE	BY	DATE	BY	DATE	BY				
2020.02.21	W. PARK	2020.02.21	W. PARK	2020.02.21	W. PARK				
2020.02.21	S.C. KIM	2020.02.21	S.C. KIM	2020.02.21	S.C. KIM				
D.L.A.		MATERIAL		SUS304		DWG. NO.		Q1201E1008A	
SCALE 1:1		SHEET 1 OF 1							

E-WHA CHEMICAL FEEDER CO., LTD.

PUMP ASSEMBLY-DIM
 GS300S4S4F-KS 10K 15A FF

A1