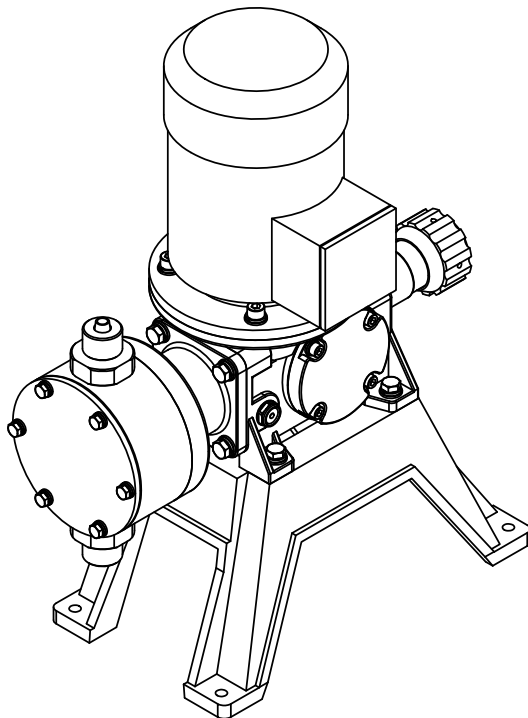
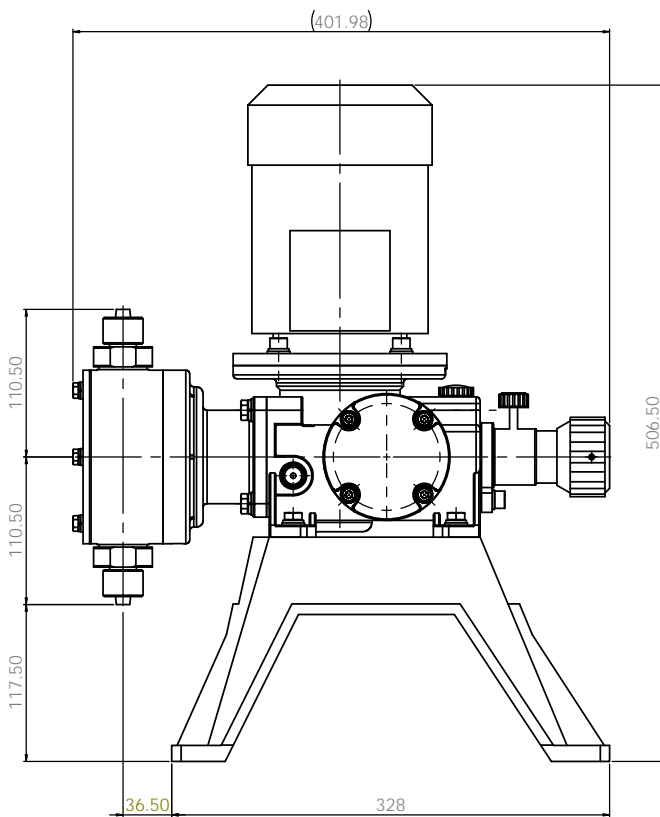
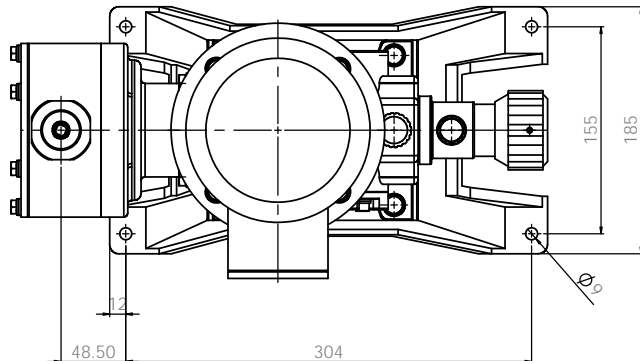
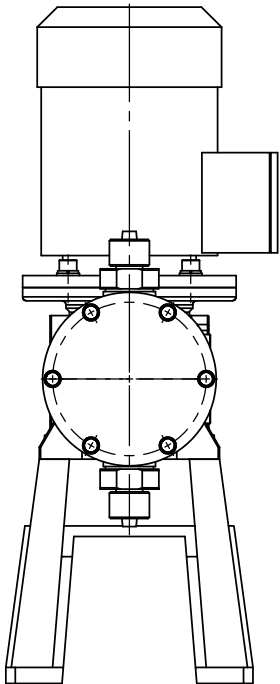


Note
 1. Model : GS3000
 2. Material : PP / PVDF
 3. Connection : Flange

ALL DIMENSIONS SPECIFIED IN MILLIMETERS UNLESS OTHERWISE SPECIFIED				FINISH		TOLERANCE AND SURFACE FINISH		DO NOT SCALE DRAWING		REVISION
DIMENSIONS ARE IN MILLIMETERS UNLESS OTHERWISE SPECIFIED				Rough		±0.1				
TOLERANCE: LINEAR				Smooth		±0.05				
ANGULAR				±0.5						
DATE	BY	CHECKED	DATE	DATE	BY	DATE	BY	DATE	BY	DATE
2024.02.21	W. PARK	2024.02.21								
2024.02.21	W. PARK	2024.02.21								
2024.02.21	S.C. KIM	2024.02.21								
2024.02.21	W. PARK	2024.02.21								
MATERIAL				PVC		DIMENSION		Q1000E1016B		A1
SCALE				1:1		SHEET		1 OF 1		



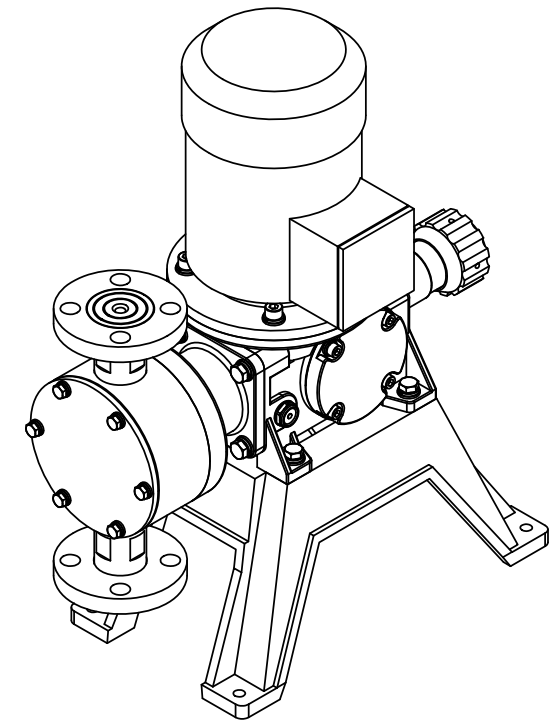
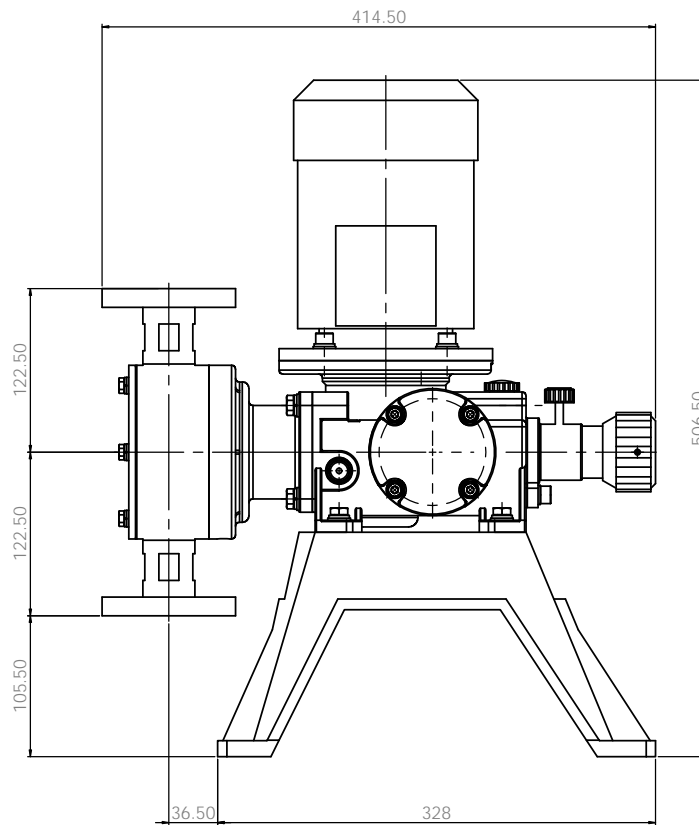
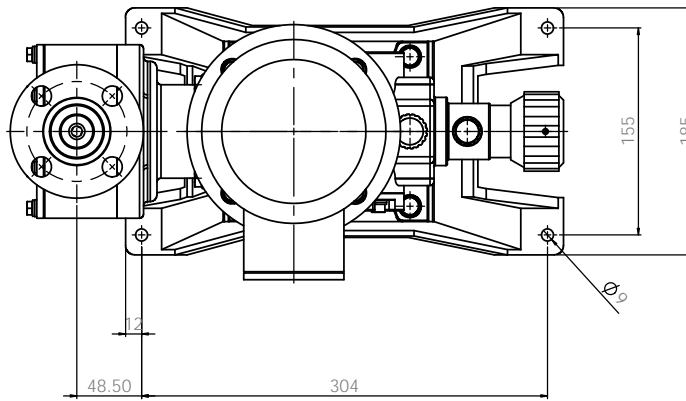
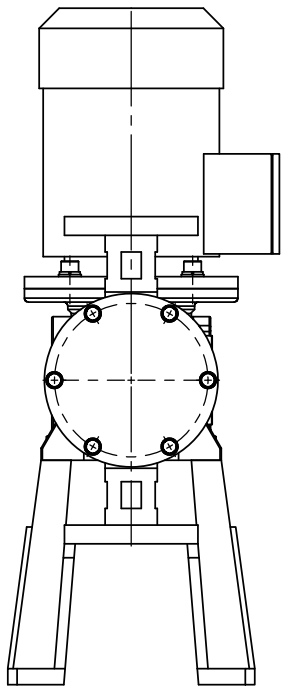
Note
 1. Model : GS3000
 2. Material : PTFE
 3. Connection : Hose

ALL DIMENSIONS SPECIFIED UNLESS OTHERWISE SPECIFIED DIMENSIONS ARE IN MILLIMETERS UNLESS OTHERWISE SPECIFIED		FINISH	EDGE AND BREAK SHARP CORNERS	DO NOT SCALE DRAWING	REVISION
DRAWN	W. PARK	2024.02.21			
CHECKED	W. PARK	2024.02.21			
APPROVED	S.C. KIM	2024.02.21			
DATE					
MATERIAL			PTFE		
SPECIFICATION			Q1004E1015A		
SCALE 1:1				SHEET 1 OF 1	

E-WHA CHEMICAL FEEDER CO., LTD.

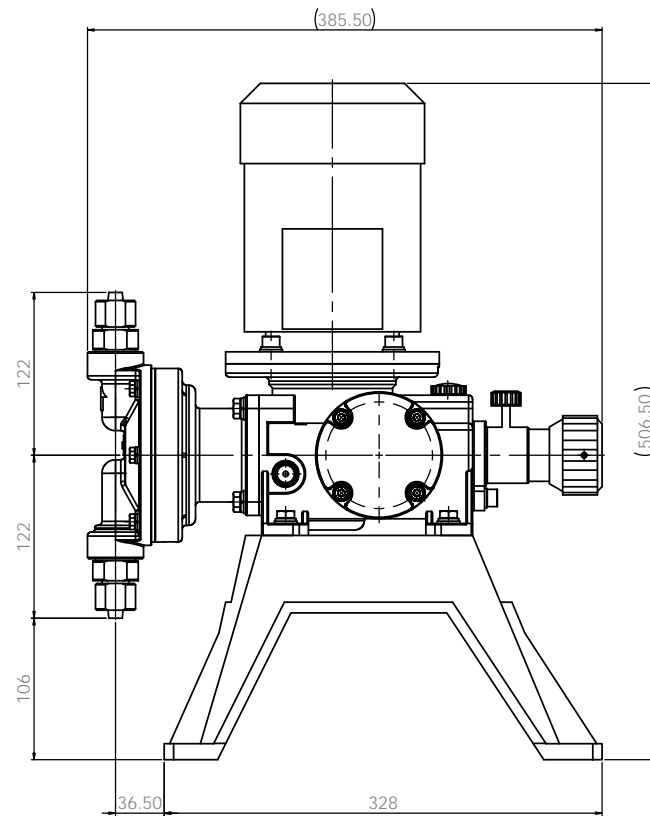
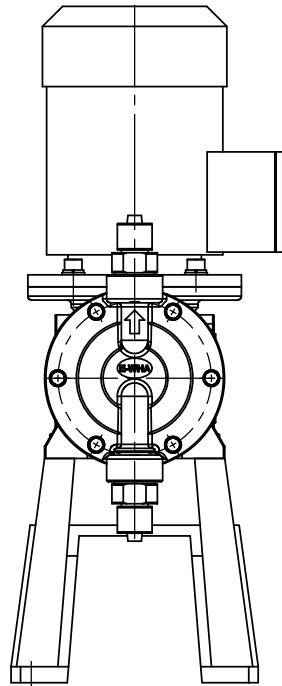
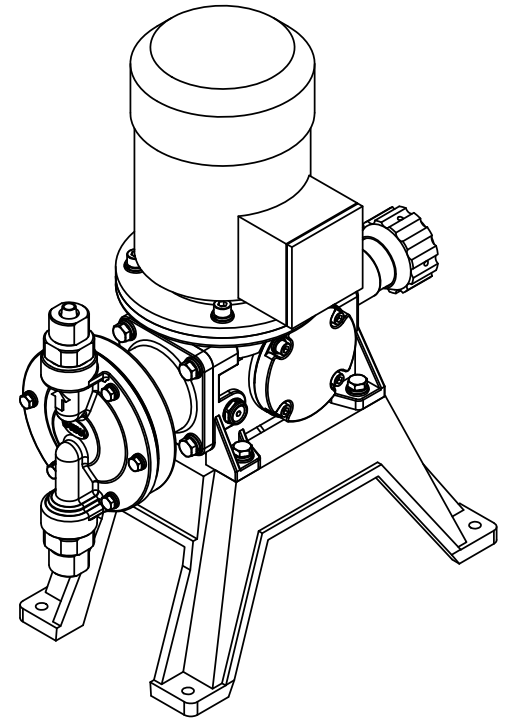
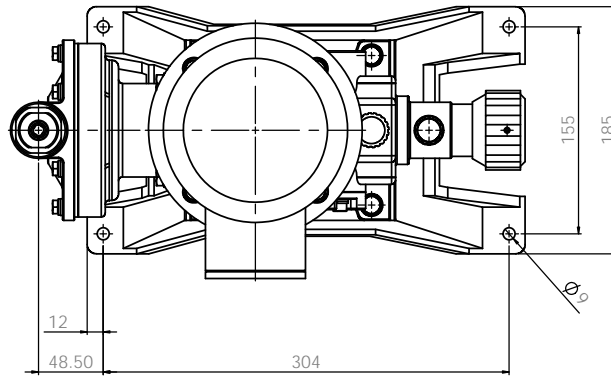
TITLE: PUMP ASSEMBLY-DIM GS3000TCH-H10

A1



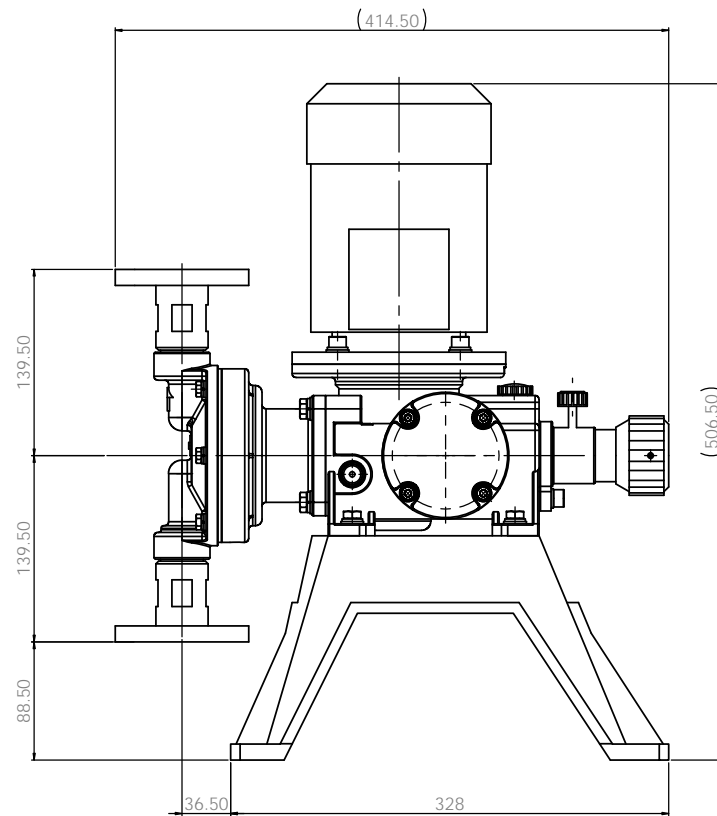
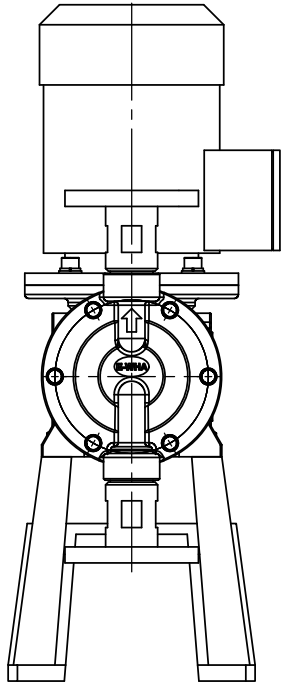
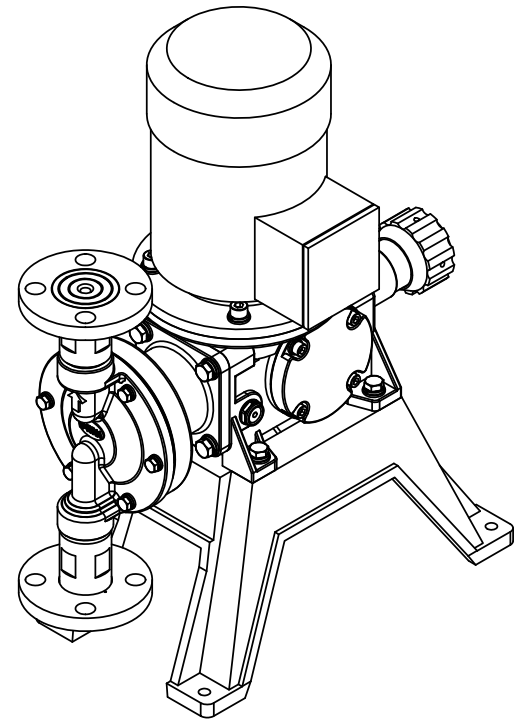
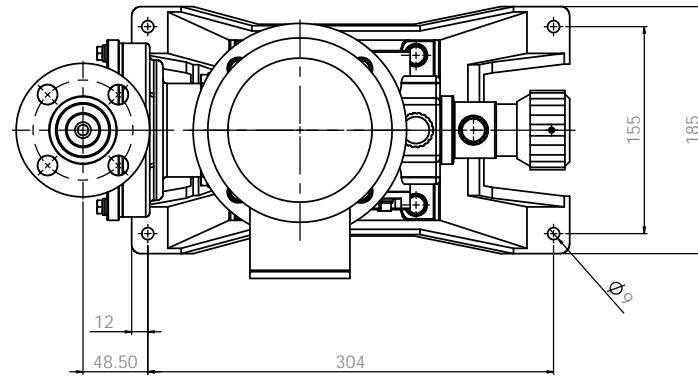
Note
 1. Model : GS3000
 2. Material : PTFE
 3. Connection : Flange

ALL DIMENSIONS SPECIFIED IN MILLIMETERS UNLESS OTHERWISE SPECIFIED				FINISH		SCALE AND BREAK SHARP EDGES		DO NOT SCALE DRAWING		REVISION
TOLERANCES UNLESS OTHERWISE SPECIFIED				DIMENSIONAL		ANGULAR				
DATE	BY	CHECKED	DATE	DATE	BY	DATE	BY			
2024.02.21	W. PARK	2024.02.21								
2024.02.21	W. PARK	2024.02.21								
2024.02.21	S.C. KIM	2024.02.21								
2024.02.21	W. PARK	2024.02.21								
MATERIAL				PTFE		DIMENSION		Q1004E1016B		A1
SCALE				1:1		SHEET		1 OF 1		



Note
 1. Model : GS3000
 2. Material : Stainless steel
 3. Connection : Hose

ALL DIMENSIONS SPECIFIED UNLESS OTHERWISE SPECIFIED DIMENSIONS ARE IN MILLIMETERS UNLESS OTHERWISE SPECIFIED		UNITS		SCALE AND BREAK SHARP EDGES		DO NOT SCALE DRAWING		REVISION	
DATE	BY	DATE	BY	DATE	BY	DATE	BY	DATE	BY
2024.02.21	W. PARK	2024.02.21	W. PARK	2024.02.21	W. PARK	2024.02.21	S.C. KIM		
2024.02.21	S.C. KIM								
MATERIAL		SUS304		DWG. NO.		Q1201E1015A		A1	
SCALE 1:1		SHEET 1 OF 1							



Note
 1. Model : GS3000
 2. Material : Stainless steel
 3. Connection : Flange

ALL DIMENSIONS SPECIFIED UNLESS OTHERWISE SPECIFIED DIMENSIONS ARE IN MILLIMETERS				TOLERANCES UNLESS OTHERWISE SPECIFIED		SURFACE AND BREAK SHARP EDGES		DO NOT SCALE DRAWING		REVISION
NO.	DATE	BY	CHECKED	UNIT	ANGLE	SCALE	REVISION	E-WHA CHEMICAL FEEDER CO., LTD.		
DESIGN	W. PAKK	2020.02.21						PUMP ASSEMBLY-DIM		
CHKD	W. PAKK	2020.02.21						GS3000S4S4F-KS 10K 20A FF		
APPROV	S.C. KHA	2020.02.21								
DATE										
MATERIAL	SUS304			DRAWING NO.		Q1201E1016B		A1		
SCALE	1:1			SHEET		1 OF 1				