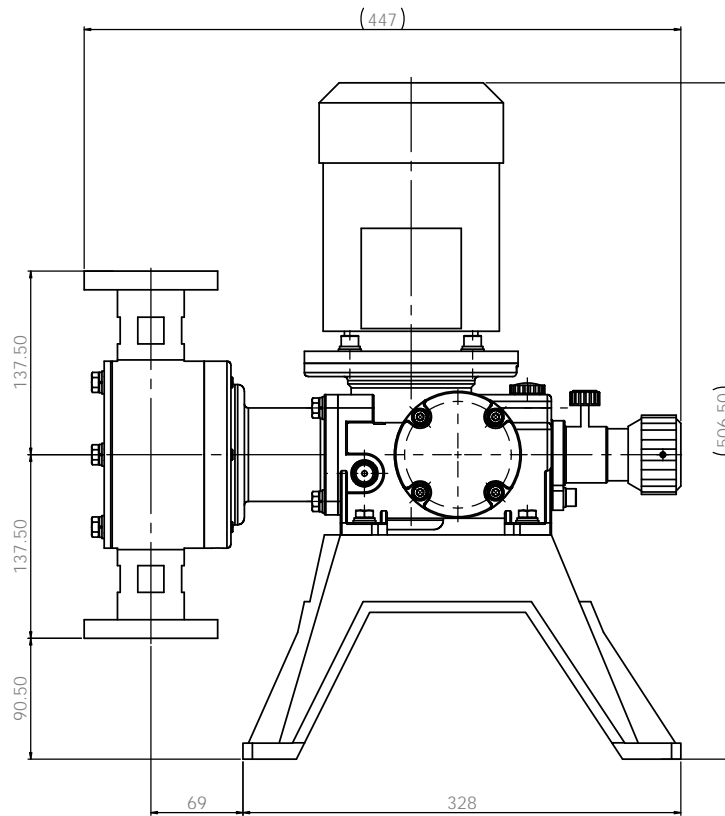
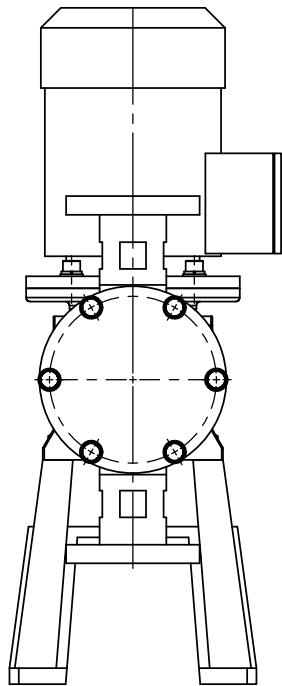
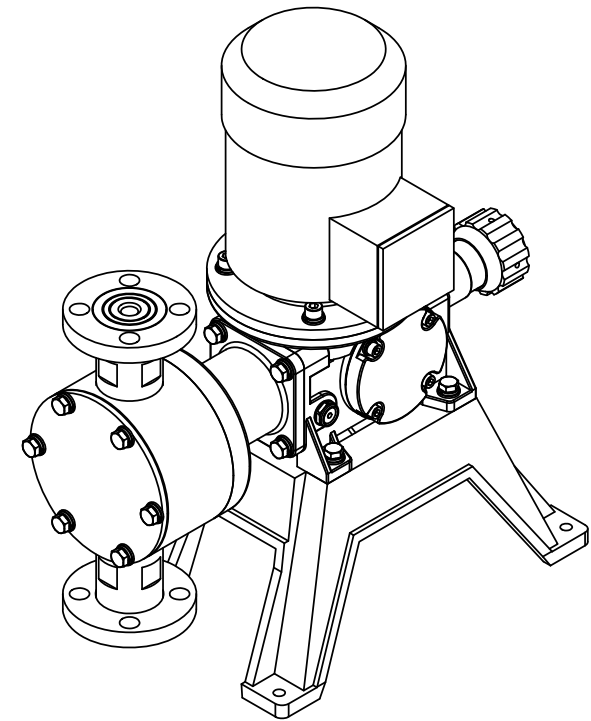
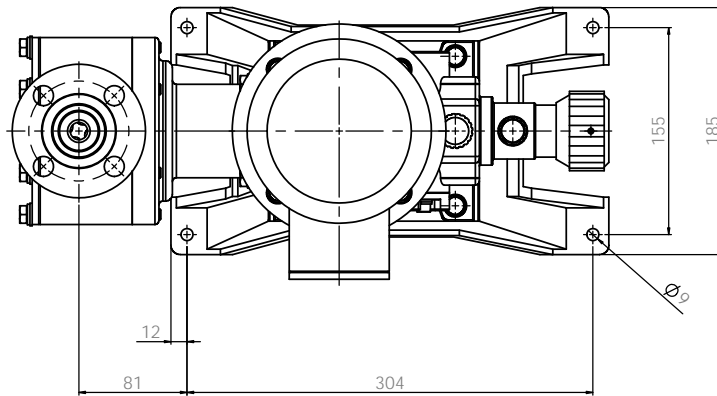


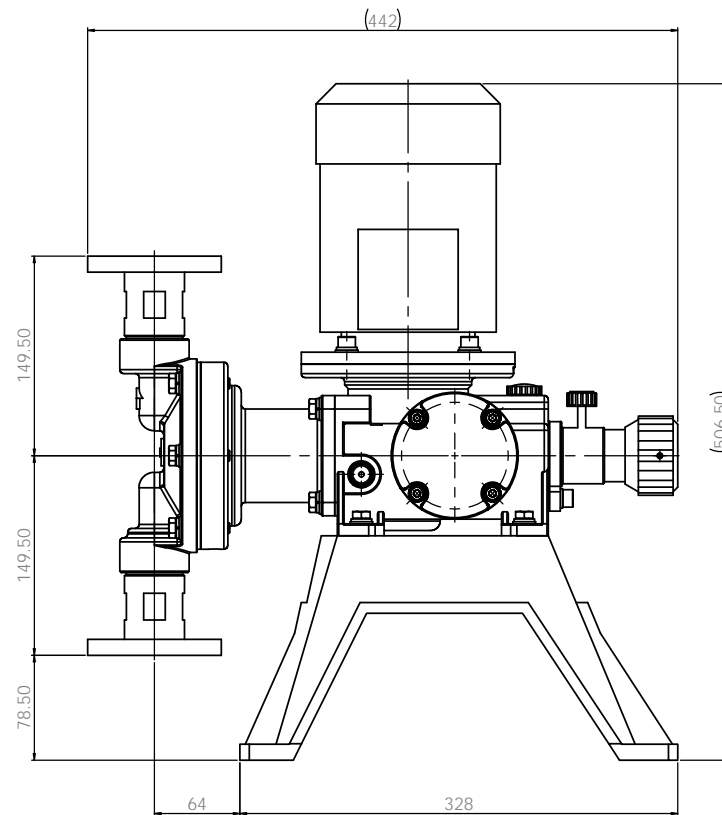
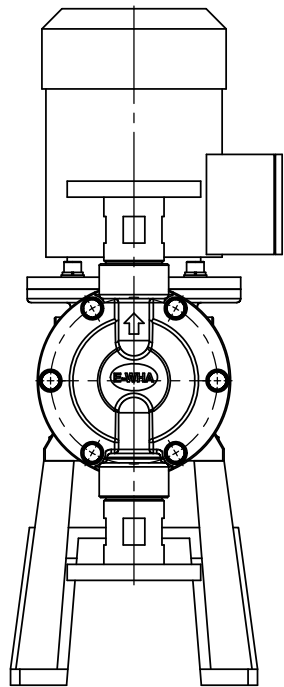
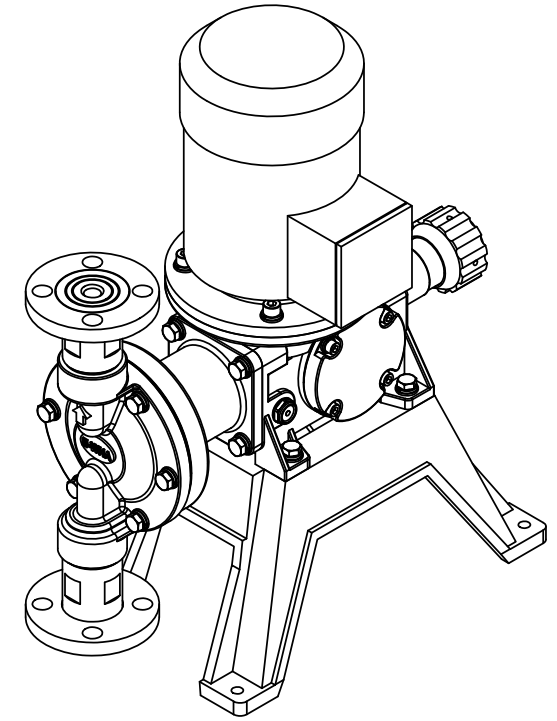
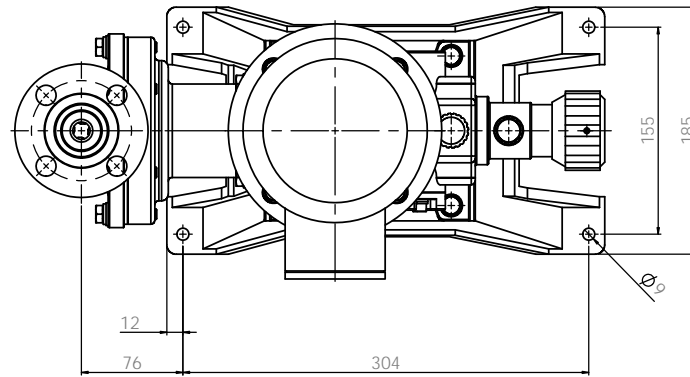
Note
 1. Model : GS4000
 2. Material : PP / PVDF
 3. Connection : Flange

ALL DIMENSIONS SPECIFIED UNLESS OTHERWISE SPECIFIED DIMENSIONS ARE IN MILLIMETERS				UNITS		SCALE AND BREAK SHARP EDGES		DO NOT SCALE DRAWING		REVISION	
NO.	DATE	BY	CHKD	UNIT	SCALE	BREAK	SHARP	EDGES	NO.	DESCRIPTION	DATE
01	2020.02.21	W. PARK							1	PUMP ASSEMBLY-DIM	
02	2020.02.21	W. PARK							2	GS4000PCF-KS 10K 20A FF	
03	2020.02.21	S.C. KIM							3		
04									4		
D.W.				MATERIAL				PVC			
D.W.				DWG. NO.				Q1000E1018B			
D.W.				SCALE				1:1			
D.W.				SHEET				1 OF 1			



Note
 1. Model : GS4000
 2. Material : PTFE
 3. Connection : Flange

ALL DIMENSIONS SPECIFIED UNLESS OTHERWISE SPECIFIED DIMENSIONS ARE IN MILLIMETERS				FINISH AND BREAK SHARP EDGES		DO NOT SCALE DRAWING		REVISION
TOLERANCES UNLESS OTHERWISE SPECIFIED				DIMENSIONS		E-WHA CHEMICAL FEEDER CO., LTD.		REV:
LINEAR	±0.1	ANGLE	±0.5	DATE		PUMP ASSEMBLY-DIM		
DRIVEN	W. PAKK	DATE	2020.02.21			GS4000TCF-KS 10K 20A FF		
CHKS	W. PAKK	DATE	2020.02.21			GS4000TCF-KS 10K 20A FF		
APPROV	S.C. KIM	DATE	2020.02.21			GS4000TCF-KS 10K 20A FF		
DATE						GS4000TCF-KS 10K 20A FF		
MATERIAL				PTFE		DIMENSION		Q1004E1018B
SCALE				1:1		SHEET		1 OF 1



Note
 1. Model : GS4000
 2. Material : Stainless steel
 3. Connection : Flange

ALL DIMENSIONS SPECIFIED UNLESS OTHERWISE SPECIFIED DIMENSIONS ARE IN MILLIMETERS				FINISH AND BREAK SHARP EDGES		DO NOT SCALE DRAWING		REVISION
TOLERANCES UNLESS OTHERWISE SPECIFIED				FINISH		E-WHA CHEMICAL FEEDER CO., LTD.		
DATE	BY	CHECKED	DATE	DATE	BY	DATE	BY	
2020.02.21	W. PARK	2020.02.21						
2020.02.21	W. PARK	2020.02.21						
2020.02.21	S.C. KIM	2020.02.21						
MATERIAL				SUS304		DWG. NO.		Q1201E1018B
SCALE 1:1				SHEET 1 OF 1				A1