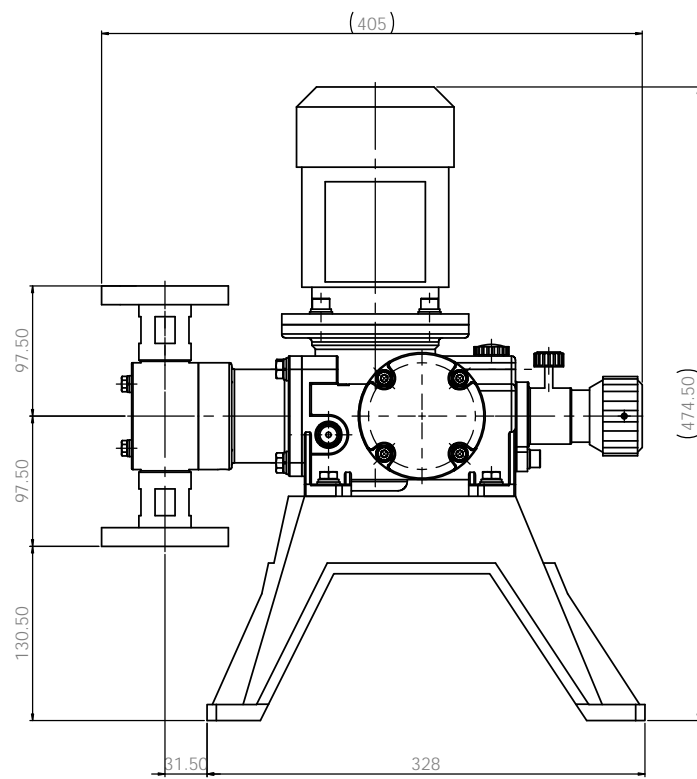
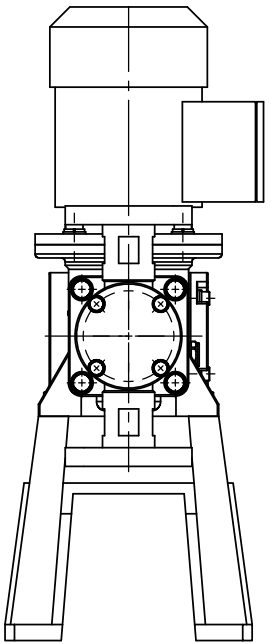
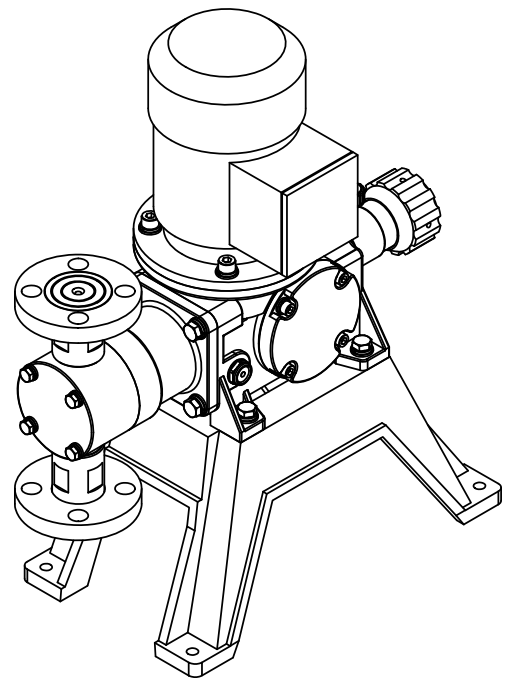
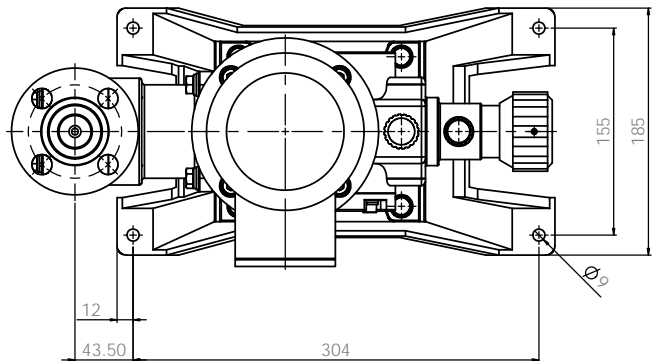


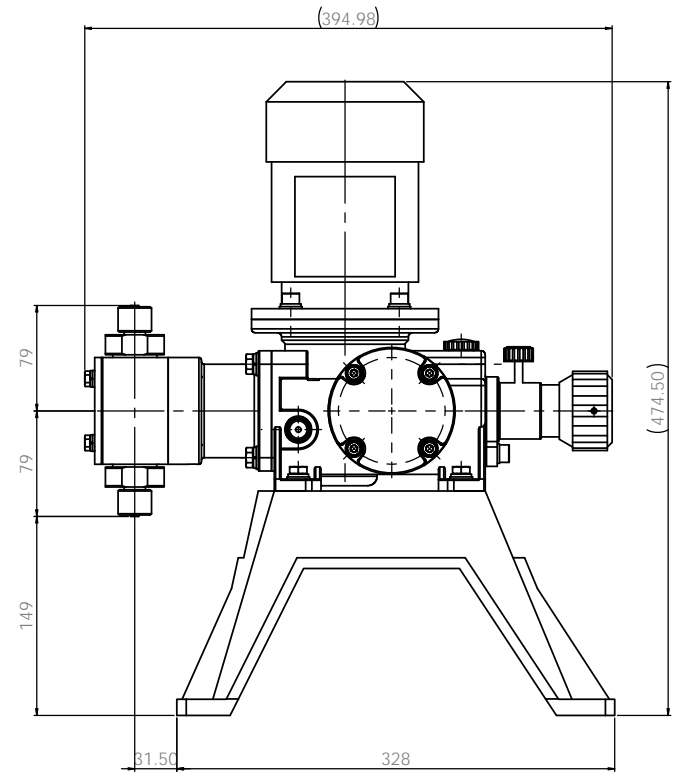
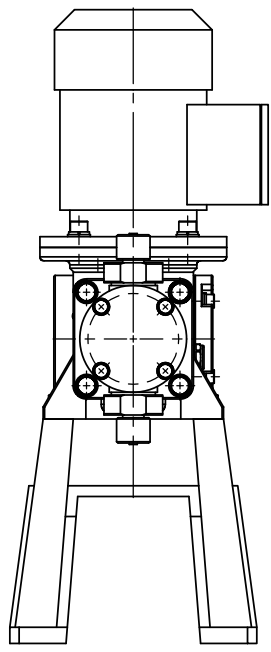
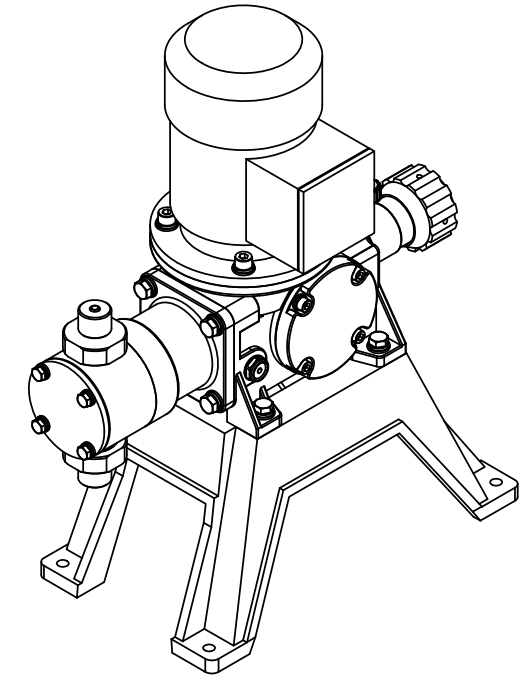
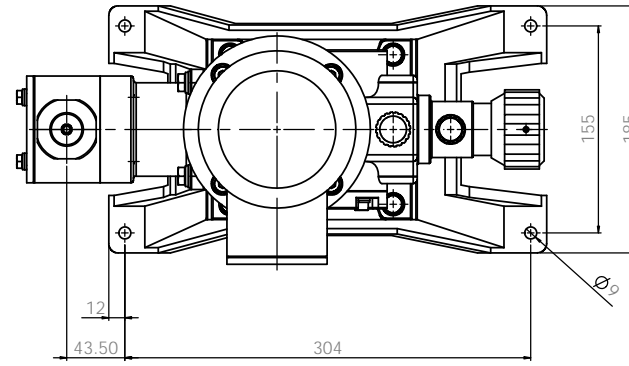
**Note**  
 1. Model : GS50  
 2. Material : PP / PVDF  
 3. Connection : Hose

ALL DIMENSIONS SPECIFIED UNLESS OTHERWISE SPECIFIED DIMENSIONS ARE IN MILLIMETERS UNLESS INDICATED OTHERWISE			FINISH		EDGE AND BREAK SHARP EDGES		DO NOT SCALE DRAWING		REVISION	
TOLERANCES UNLESS OTHERWISE SPECIFIED			RADIUS		HOLE		DATE		E-WHA CHEMICAL FEEDER CO., LTD.	
LINEAR			±0.1		±0.1		2024.02.21		REV:	
ANGULAR			±0.5		±0.1		2024.02.21		PUMP ASSEMBLY-DIM	
DRAWN			W. PARK		S. C. KIM		2024.02.21		GS50PCH-H06	
CHECKED			W. PARK		S. C. KIM		2024.02.21		MATERIAL	
APPROVED			S. C. KIM		S. C. KIM		2024.02.21		PVC	
DATE									SPEC. NO.	
									Q1000E1003A	
									SCALE 1:1	
									SHEET 1 OF 1	



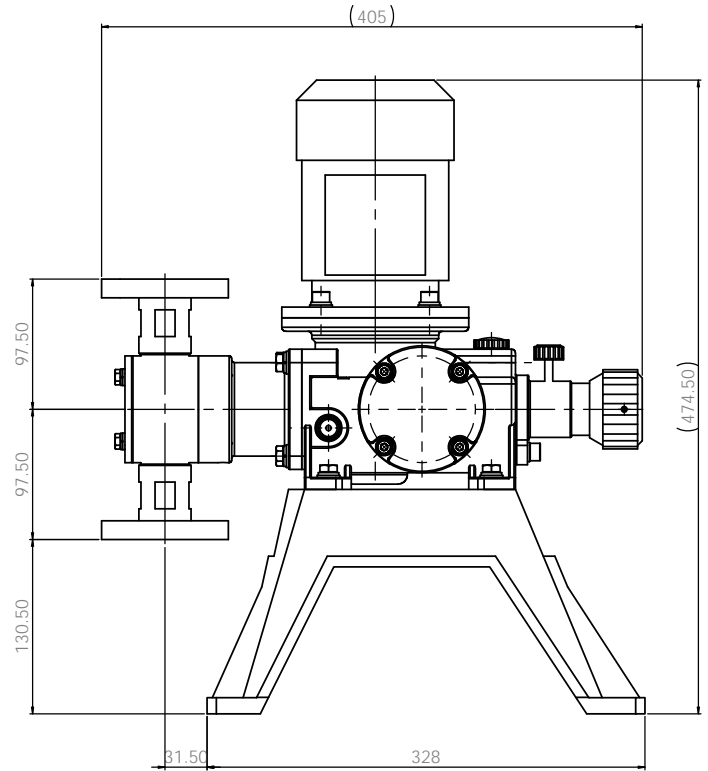
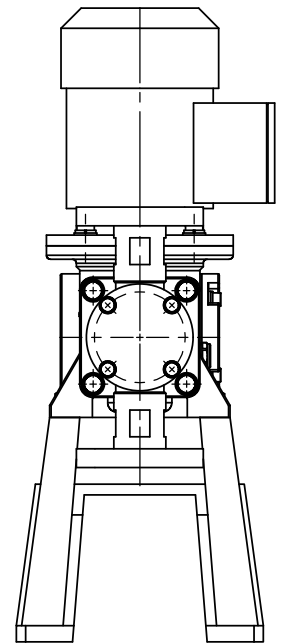
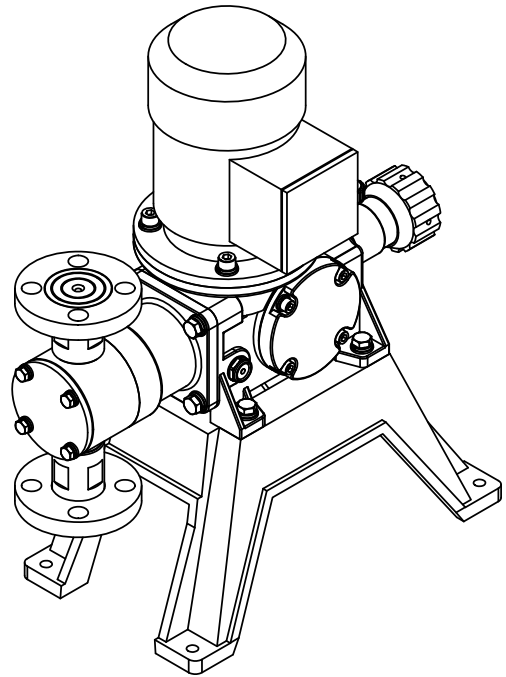
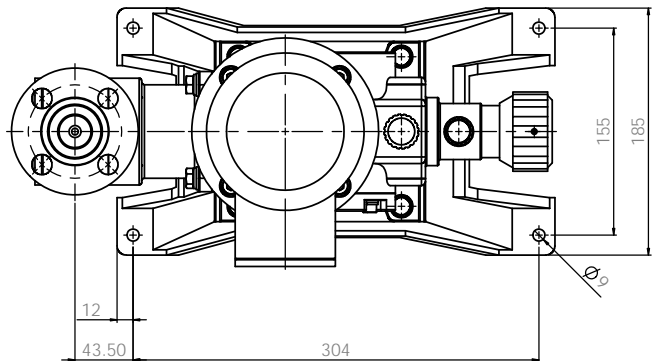
**Note**  
 1. Model : GS50  
 2. Material : PP / PVDF  
 3. Connection : Flange

ALL DIMENSIONS SPECIFIED UNLESS OTHERWISE SPECIFIED DIMENSIONS ARE IN MILLIMETERS TOLERANCES: FINISH: ANGULAR		FINISH: BRASS AND BRASS SHARP EDGE	DO NOT SCALE DRAWING REVISION
DRAWN: W. PARK CHECK: W. PARK APPROV: S.C. KIM DATE: 2020.02.21 DATE: 2020.02.21 DATE: 2020.02.21	DESIGNED: W. PARK DATE: 2020.02.21	MATERIAL: PVC	E-WHA CHEMICAL FEEDER CO., LTD. PUMP ASSEMBLY-DIM GS50PCF-KS 10K 15A FF Q1000E1004A A1



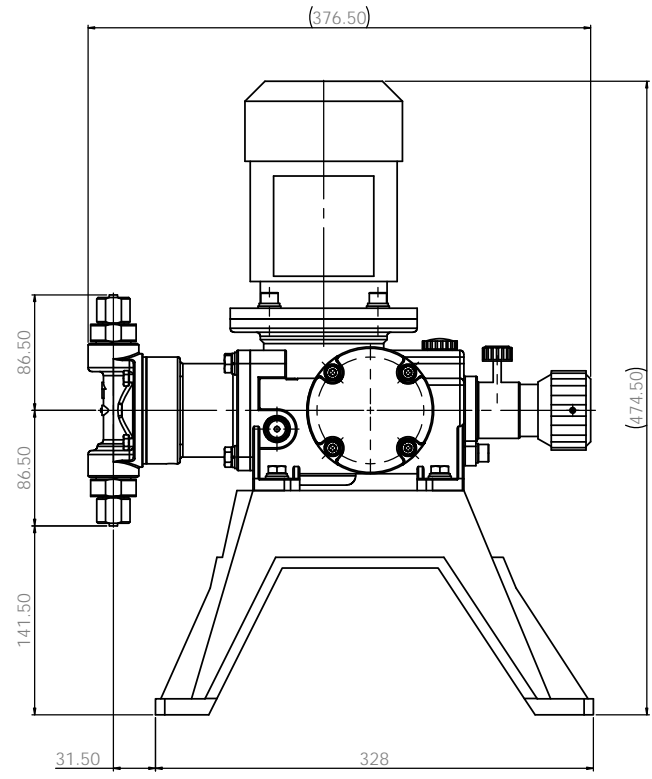
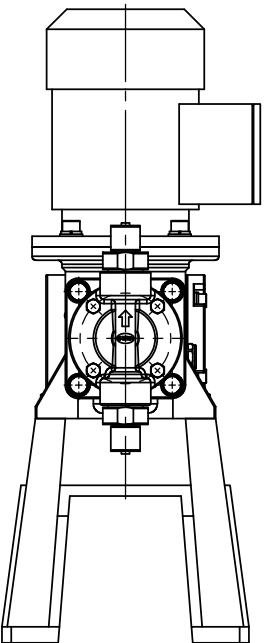
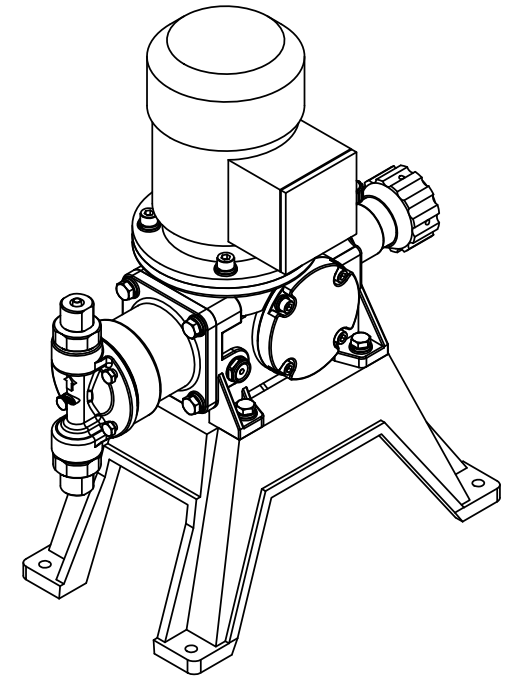
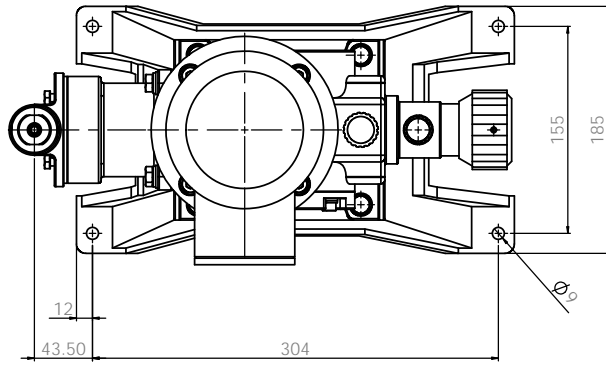
**Note**  
 1. Model : GS50  
 2. Material : PTFE  
 3. Connection : Hose

ALL DIMENSIONS SPECIFIED UNLESS OTHERWISE SPECIFIED DIMENSIONS ARE IN MILLIMETERS			FINISH		EDGE AND BREAK SHARP EDGES		DO NOT SCALE DRAWING		REVISION	
TOLERANCES UNLESS SPECIFIED			DIMENSIONS		FINISH		E-WHA CHEMICAL FEEDER CO., LTD.			
LINEAR			ANGULAR							
DATE	DATE	DATE	DATE	DATE	DATE	DATE	DATE	DATE	DATE	DATE
DESIGNED BY	W. PARK	2008.02.21	CHECKED BY	W. PARK	2008.02.21	APPROVED BY	S.C. KIM	2008.02.21	MATERIAL	PTFE
DRAWN BY	W. PARK	2008.02.21	DATE						ENGINEER NO.	Q1004E1003A
DATE										A1
									SCALE 1:1	SHEET 1 OF 1



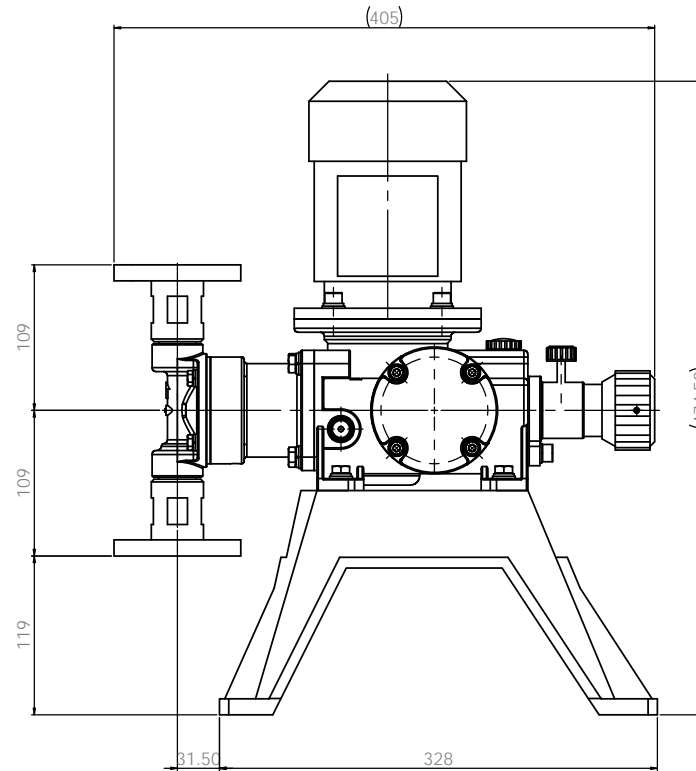
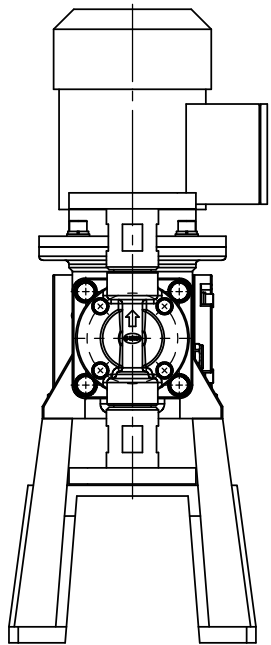
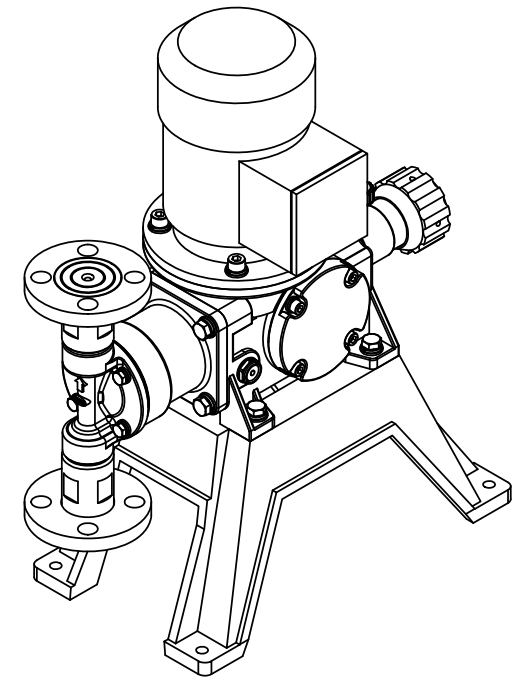
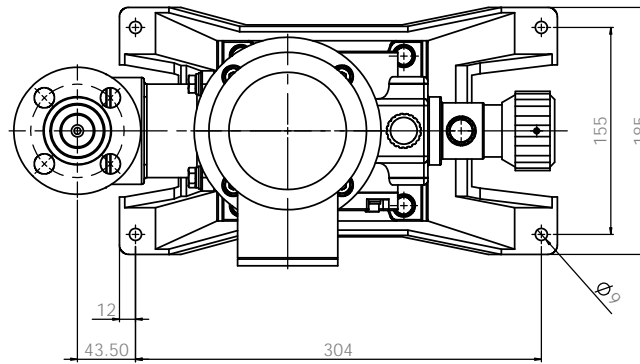
**Note**  
 1. Model : GS50  
 2. Material : PTFE  
 3. Connection : Flange

ALL DIMENSIONS SPECIFIED UNLESS OTHERWISE SPECIFIED DIMENSIONS ARE IN MILLIMETERS TOLERANCES: FINISH: ANGULAR			FINISH: BRASS AND BRASS SHARP EDGE			DO NOT SCALE DRAWING REVISION	
DATE:	SCALE:	REV:	DATE:	SCALE:	REV:	E-WHA CHEMICAL FEEDER CO., LTD.	
DESIGN:	W. PARK	2020.02.21	DATE:			PUMP ASSEMBLY-DIM GS50TCF-KS 10K 15A FF	
DRAWN:	W. PARK	2020.02.21	DATE:			Q1004E1004A	
CHECK:	S.C. KIM	2020.02.22	DATE:			A1	
APPROV:			DATE:			PTFE	
MATERIAL:			DATE:			Q1004E1004A	
SCALE:			DATE:			SHEET 1 OF 1	



**Note**  
 1. Model : GS50  
 2. Material : Stainless steel  
 3. Connection : Hose

ALL DIMENSIONS SPECIFIED UNLESS OTHERWISE SPECIFIED DIMENSIONS ARE IN MILLIMETERS				FINISH		EDGE AND BREAK SHARP ENDS		DO NOT SCALE DRAWING		REVISION	
TOLERANCES UNLESS OTHERWISE SPECIFIED				DRAWN		CHECKED		DATE		E-WHA CHEMICAL FEEDER CO., LTD.	
FRACTIONS				DATE		DATE		DATE		PUMP ASSEMBLY-DIM	
DECIMALS				DATE		DATE		DATE		GS50S4S4H-H06	
ANGULAR				DATE		DATE		DATE		SUS304	
DRAWN				DATE		DATE		DATE		Q1201E1003A	
CHECKED				DATE		DATE		DATE		A1	
APPROVED				DATE		DATE		DATE		SCALE 1:1	
MATERIAL				DATE		DATE		DATE		SHEET 1 OF 1	
SUS304				DATE		DATE		DATE		SHEET 1 OF 1	



**Note**  
 1. Model : GS50  
 2. Material : Stainless steel  
 3. Connection : Flange

<small>ALL DIMENSIONS SPECIFIED UNLESS OTHERWISE SPECIFIED DIMENSIONS ARE IN MILLIMETERS UNLESS OTHERWISE SPECIFIED</small>				<small>DO NOT SCALE DRAWING</small>		<small>REVISION</small>	
<small>FINISH</small>				<small>EDGE AND BREAK SHARP ENDS</small>		<b>E-WHA CHEMICAL FEEDER CO., LTD.</b>	
<small>DATE</small>				<small>SCALE</small>		<small>REV.</small>	
<small>DRAWN</small> W. PARK	<small>DATE</small> 2024.02.21	<small>DESIGNED BY</small>	<small>SCALE</small>	<small>REV.</small>	<b>PUMP ASSEMBLY-DIM</b>		
<small>CHECKED</small> W. PARK	<small>DATE</small> 2024.02.21	<small>DESIGNED BY</small>	<small>SCALE</small>	<small>REV.</small>	<b>GS50S4S4F-KS 10K 15A FF</b>		
<small>APPROVED</small> S.C. KIM	<small>DATE</small> 2024.02.21	<small>DESIGNED BY</small>	<small>SCALE</small>	<small>REV.</small>	<b>SUS304</b>		
<small>DATE</small>	<small>SCALE</small>	<small>DESIGNED BY</small>	<small>SCALE</small>	<small>REV.</small>	<b>Q1201E1004A</b>	<b>A1</b>	
<small>REVISION</small>				<small>SCALE</small>		<small>SHEET 1 OF 1</small>	