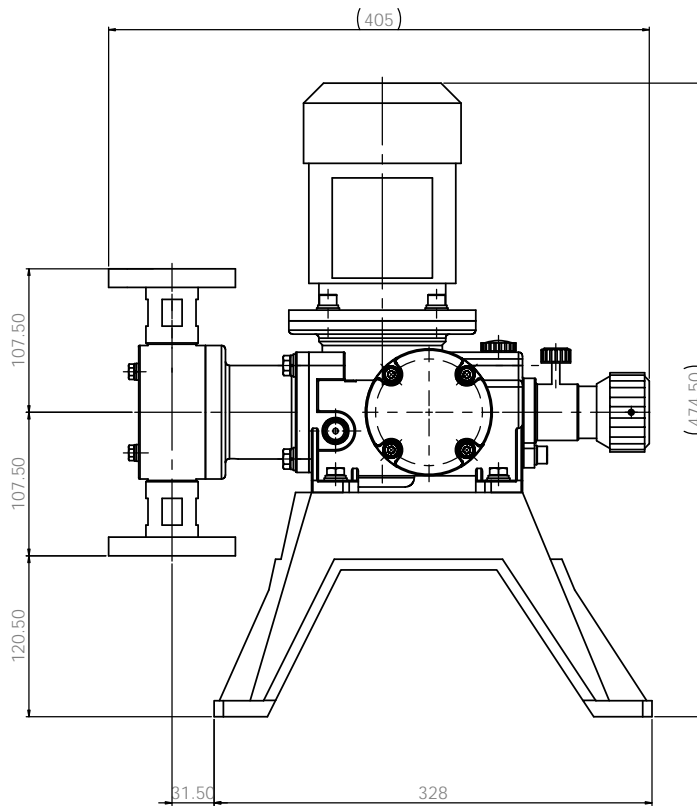
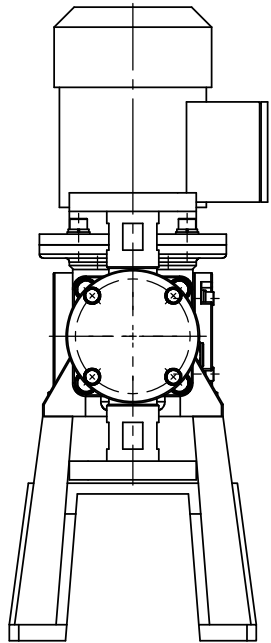
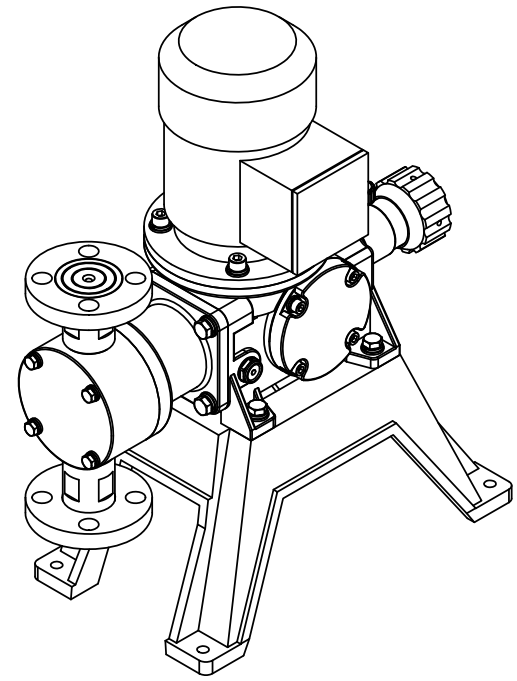
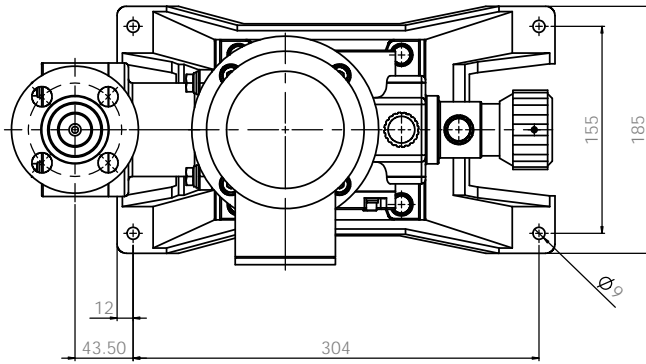


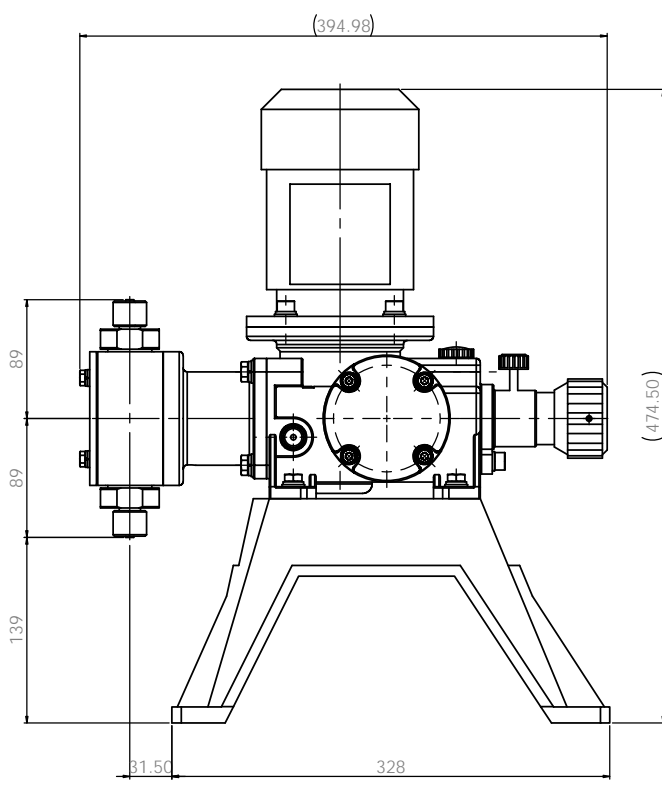
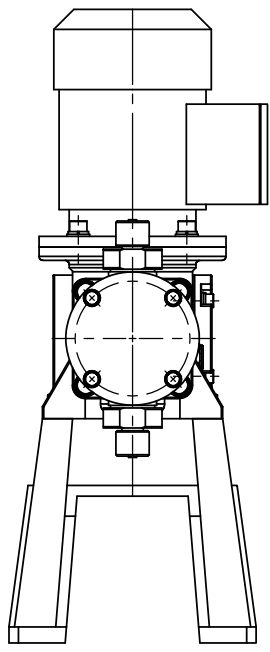
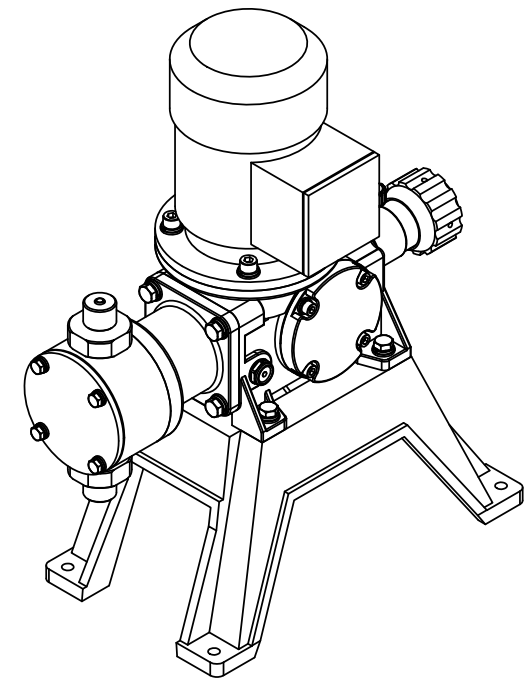
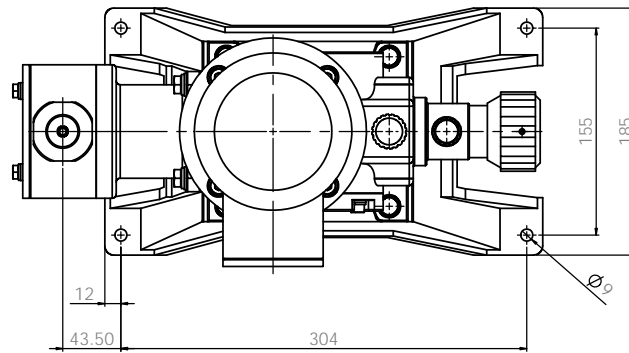
**Note**  
 1. Model : GS500  
 2. Material : PP / PVDF  
 3. Connection : Hose

ALL DIMENSIONS SPECIFIED UNLESS OTHERWISE SPECIFIED DIMENSIONS ARE IN MILLIMETERS UNLESS OTHERWISE SPECIFIED		FINISH		EDGE AND BREAK SHARP ENDS		DO NOT SCALE DRAWING		REVISION	
TOLERANCES UNLESS OTHERWISE SPECIFIED								E-WHA CHEMICAL FEEDER CO., LTD.	
DATE	BY	DATE	BY	DATE	BY	DATE	BY	DATE	BY
2020.02.21	W. PARK	2020.02.21	W. PARK	2020.02.21	W. PARK	2020.02.21	W. PARK	2020.02.21	W. PARK
2020.02.21	S.C. KIM	2020.02.21	S.C. KIM	2020.02.21	S.C. KIM	2020.02.21	S.C. KIM	2020.02.21	S.C. KIM
MATERIAL		PVC		DIMENSION		Q1000E1009A		A1	
SCALE 1:1		SHEET 1 OF 1							



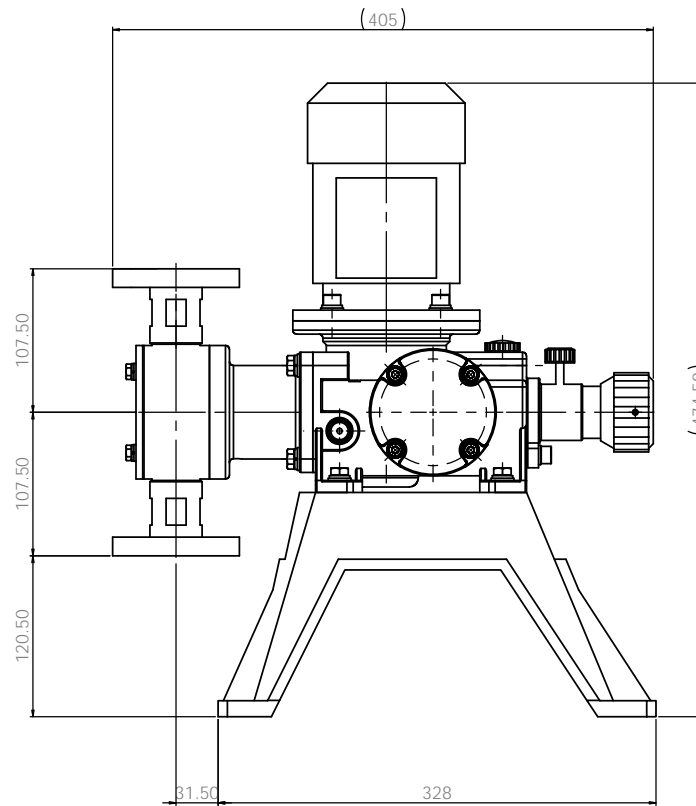
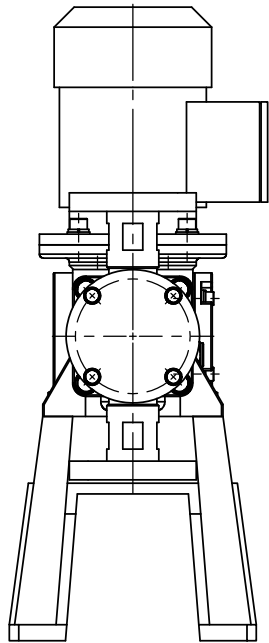
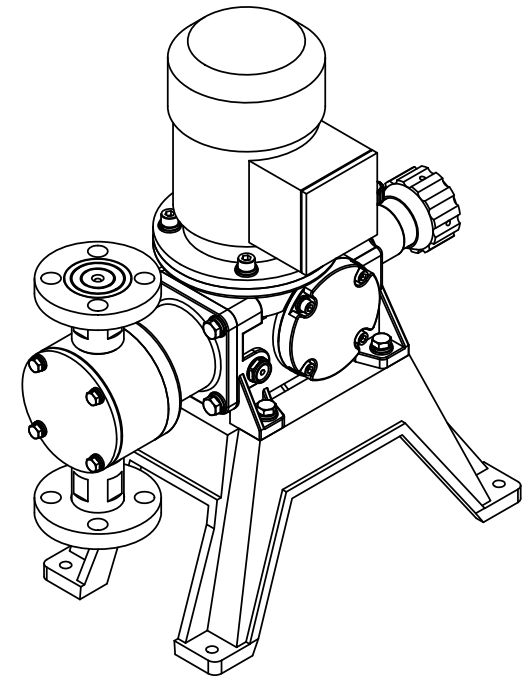
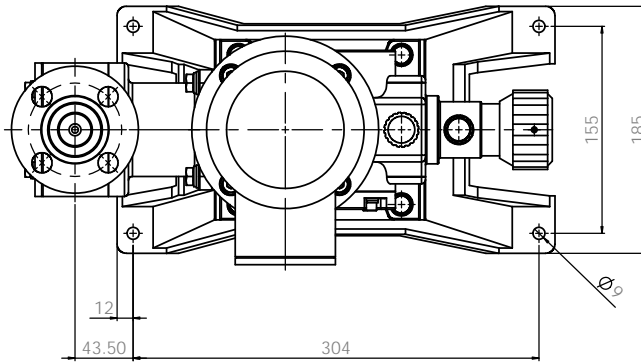
**Note**  
 1. Model : GS500  
 2. Material : PP / PVDF  
 3. Connection : Flange

ALL DIMENSIONS SPECIFIED UNLESS OTHERWISE SPECIFIED DIMENSIONS ARE IN MILLIMETERS TOLERANCES: FINISH: ANGULAR		FINISH: BRASS AND BRASS SHARP EDGE	DO NOT SCALE DRAWING REVISION
DATE: 2020.02.21 DRAWN: W. PARK CHECK: W. PARK APPROV: S.C. KIM DES:	DATE: 2020.02.21 DATE: 2020.02.21 DATE: 2020.02.21	MODEL: GS500/05 TITLE: PUMP ASSEMBLY-DIM Q1000E1010A	E-WHA CHEMICAL FEEDER CO., LTD. PUMP ASSEMBLY-DIM GS500PCF-KS 10K 15A FF Q1000E1010A A1
MATERIAL: PVC		SCALE: 1:1	SHEET 1 OF 1



**Note**  
 1. Model : GS500  
 2. Material : PTFE  
 3. Connection : Hose

ALL DIMENSIONS SPECIFIED UNLESS OTHERWISE SPECIFIED DIMENSIONS ARE IN MILLIMETERS		FINISH		EDGE AND BREAK SHARP ENDS		DO NOT SCALE DRAWING		REVISION	
TOLERANCES UNLESS OTHERWISE SPECIFIED		DIMENSIONS		FINISH		SCALE		DATE	
HOLE		±0.05		NONE		1:1			
OTHER		±0.10		NONE		1:1			
DRAWN		W. PARK		2020.02.21					
CHECKED		W. PARK		2020.02.21					
APPROVED		S.C. KIM		2020.02.21					
MATERIAL		PTFE							
SCALE		1:1							
SHEET NO.		Q1004E1009A							
SHEET TOTAL		1 OF 1							



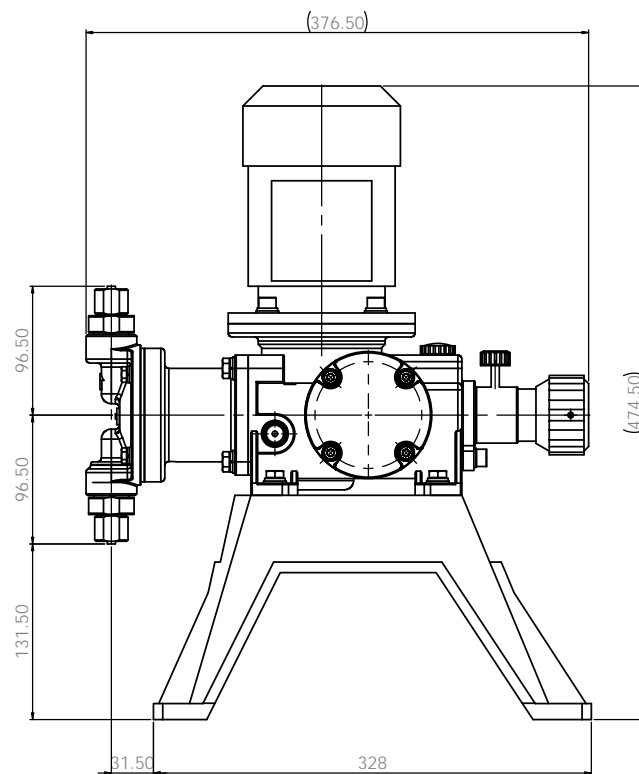
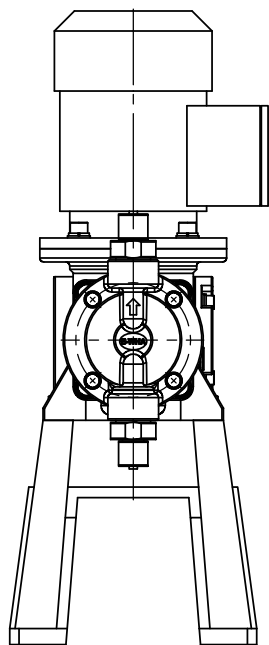
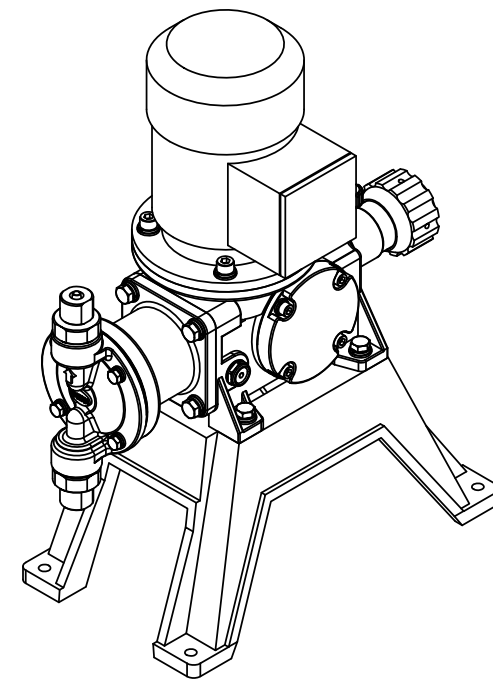
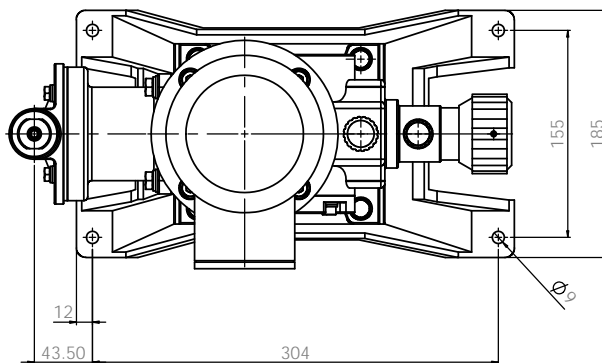
**Note**  
 1. Model : GS500  
 2. Material : PTFE  
 3. Connection : Flange

ALL DIMENSIONS SPECIFIED UNLESS OTHERWISE SPECIFIED DIMENSIONS ARE IN MILLIMETERS UNLESS INDICATED OTHERWISE		FINISH		EDGE AND BREAK SHARP ENDS		DO NOT SCALE DRAWING		REVISION	
DATE	BY	DATE	BY	DATE	BY	DATE	BY	DATE	BY
2024.02.21	W. PARK	2024.02.21	W. PARK	2024.02.21	W. PARK	2024.02.21	W. PARK	2024.02.21	W. PARK
2024.02.21	S.C. KIM	2024.02.21	S.C. KIM	2024.02.21	S.C. KIM	2024.02.21	S.C. KIM	2024.02.21	S.C. KIM
D.W.		MATERIAL		DIM. NO.		SCALE 1:1		SHEET 1 OF 1	
PTFE		Q1004E1010A		A1					

E-WHA CHEMICAL FEEDER CO., LTD.

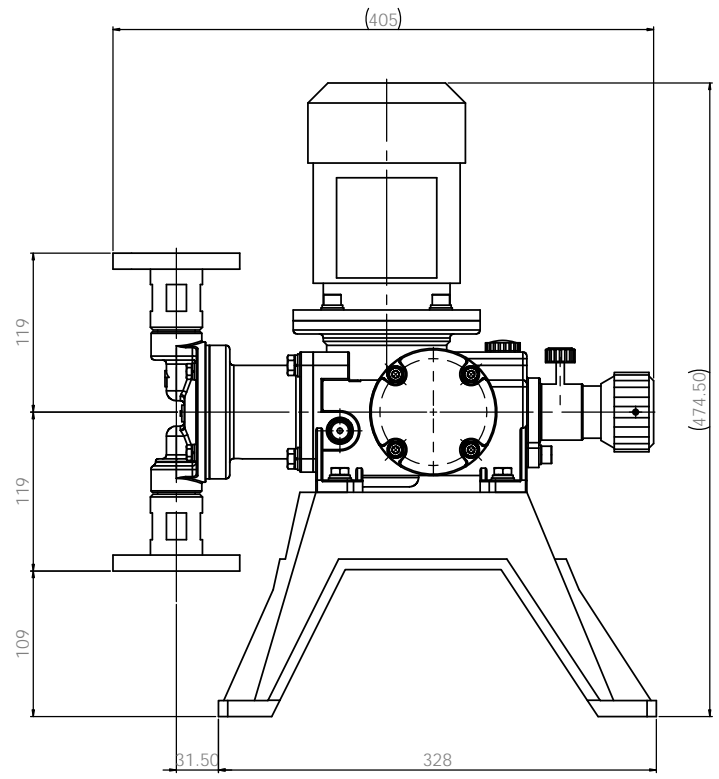
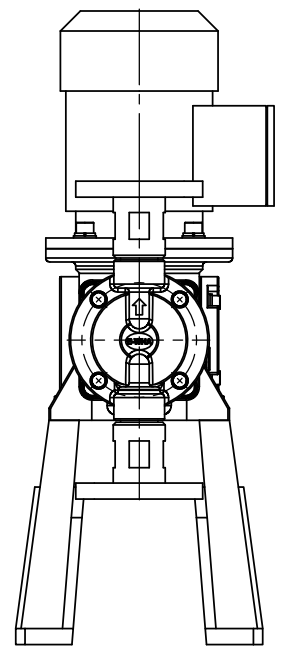
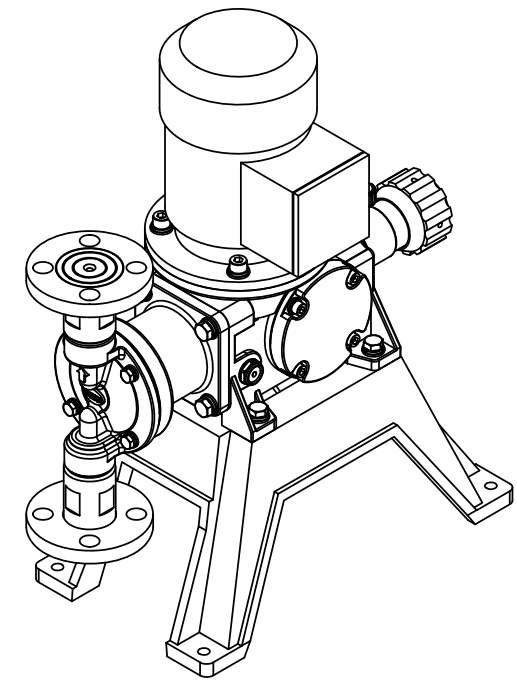
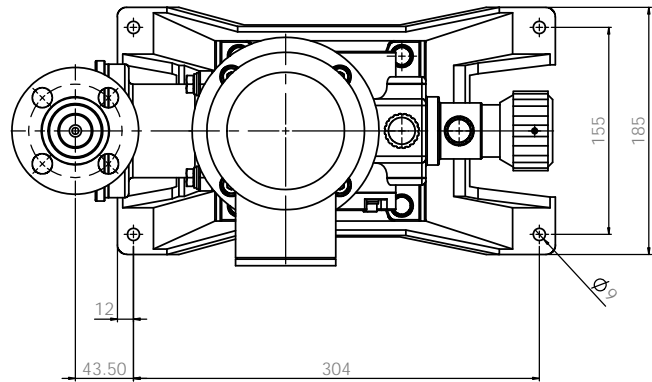
PUMP ASSEMBLY-DIM  
 GS500TCF-KS 10K 15A FF

PTFE Q1004E1010A A1



**Note**  
 1. Model : GS500  
 2. Material : Stainless steel  
 3. Connection : Hose

ALL DIMENSIONS SPECIFIED UNLESS OTHERWISE SPECIFIED DIMENSIONS ARE IN MILLIMETERS UNLESS INDICATED OTHERWISE		FINISH		EDGE AND BREAK SHARP ENDS		DO NOT SCALE DRAWING		REVISION	
DRAWN: W. PARK		CHECKED: W. PARK		DATE: 2020.02.21		E-WHA CHEMICAL FEEDER CO., LTD.		REV:	
APPROVED: S.C. KIM		DATE: 2020.02.21				PUMP ASSEMBLY-DIM		GS500S4S4H-H06	
MATERIAL: SUS304		DRAWING NO: Q1201E1009A		SCALE: 1:1		SHEET 1 OF 1		A1	



**Note**  
 1. Model : GS500  
 2. Material : Stainless steel  
 3. Connection : Flange

ALL DIMENSIONS SPECIFIED UNLESS OTHERWISE SPECIFIED DIMENSIONS ARE IN MILLIMETERS		FINISH		TOLERANCE AND SURFACE FINISH		DO NOT SCALE DRAWING		REVISION	
TOLERANCE: ANGULAR								E-WHA CHEMICAL FEEDER CO., LTD.	
DATE	BY	DATE	BY	DATE	BY	DATE	BY	DATE	BY
2020.02.21		2020.02.21		2020.02.21		2020.02.21		2020.02.21	
2020.02.21		2020.02.21		2020.02.21		2020.02.21		2020.02.21	
2020.02.21		2020.02.21		2020.02.21		2020.02.21		2020.02.21	
D.W. PARK		S.C. KIM		SUS304		Q1201E1010A		A1	
W. PARK		S.C. KIM		SUS304		Q1201E1010A		A1	
S.C. KIM		SUS304		Q1201E1010A		A1		A1	
SUS304		Q1201E1010A		A1		A1		A1	
SUS304		Q1201E1010A		A1		A1		A1	