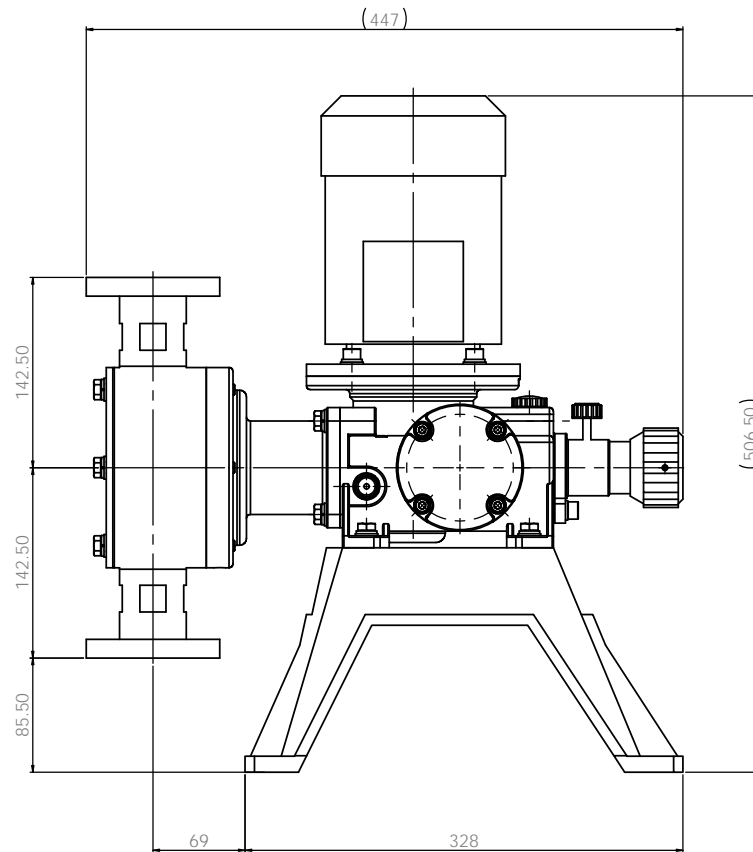
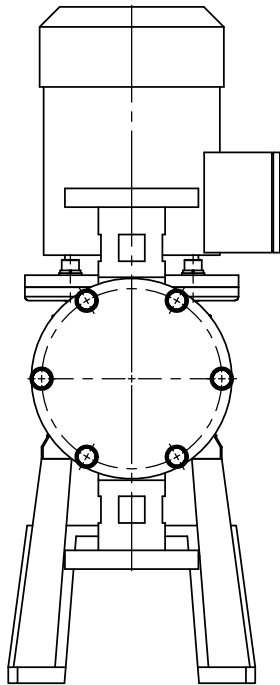
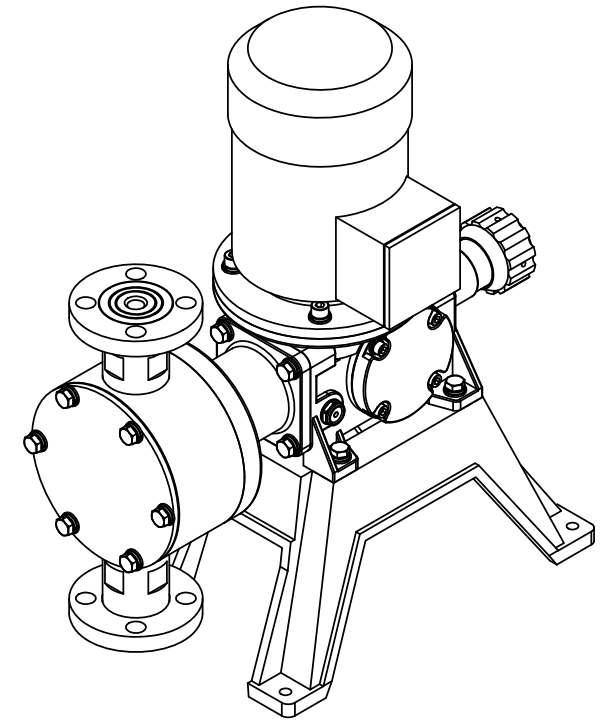
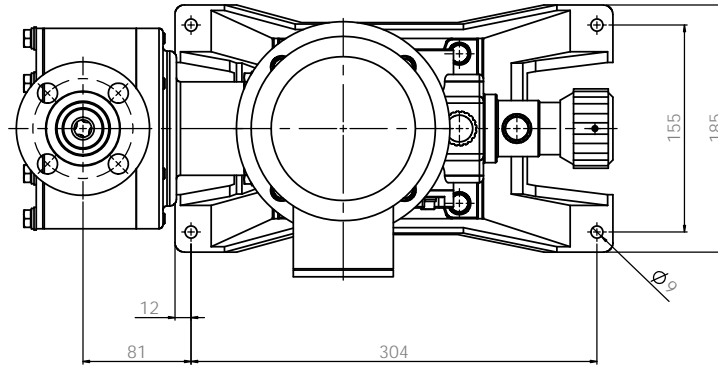


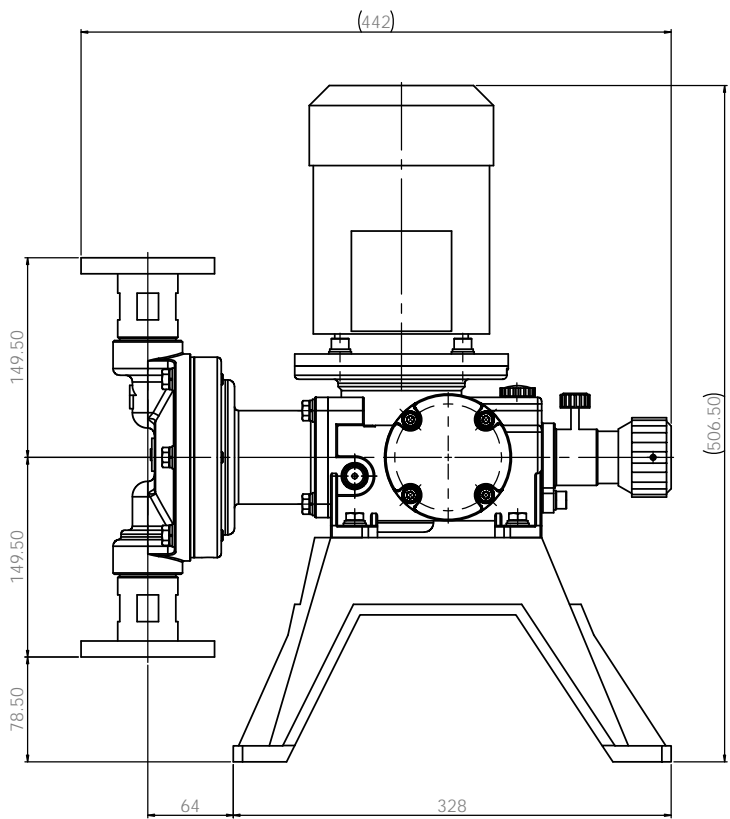
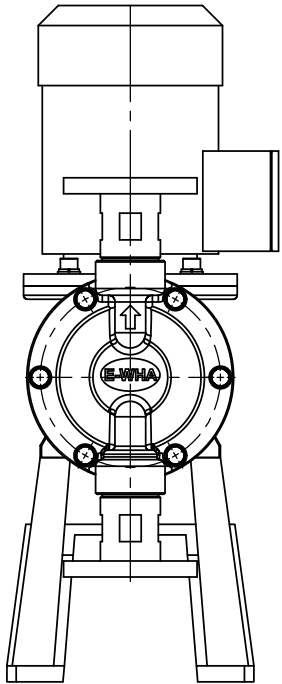
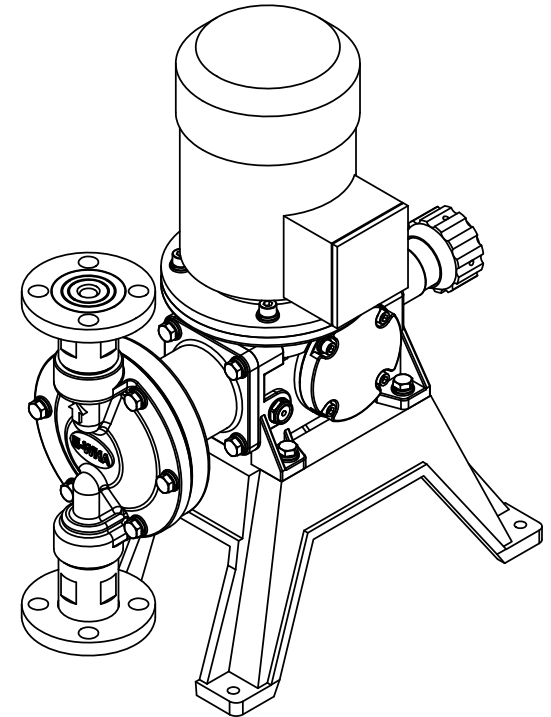
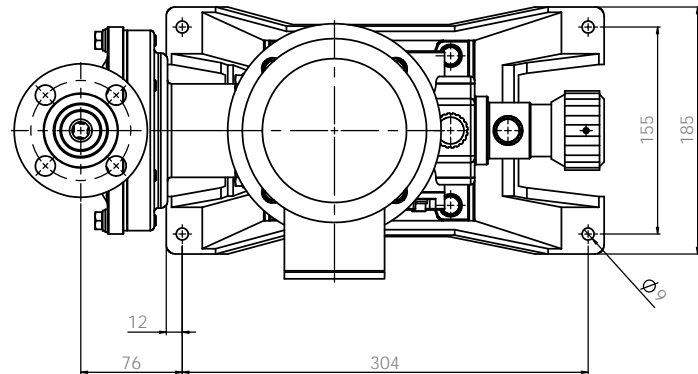
**Note**  
 1. Model : GS5000  
 2. Material : PP / PVDF  
 3. Connection : Flange

ALL DIMENSIONS SPECIFIED UNLESS OTHERWISE SPECIFIED DIMENSIONS ARE IN MILLIMETERS UNLESS OTHERWISE SPECIFIED		FINISH		DIMENSIONS AND TOLERANCES UNLESS SPECIFIED		DO NOT SCALE DRAWING		REVISION	
TOLERANCES UNLESS SPECIFIED: LINEAR: ANGULAR:		NONE		NONE		NONE		NONE	
DRAWN: W. PARK	DATE: 2020.02.21	DESIGNED: W. PARK	DATE: 2020.02.21	CHECKED: S.C. KIM	DATE: 2020.02.21	MATERIAL: PVC	DIMENSIONS: Q1000E1020B	SCALE: 1:1	SHEET 1 OF 1
REVISED: S.C. KIM	DATE: 2020.02.21	MATERIAL: PVC	DIMENSIONS: Q1000E1020B	SCALE: 1:1	SHEET 1 OF 1	E-WHA CHEMICAL FEEDER CO., LTD. PUMP ASSEMBLY-DIM GS5000PCF-KS 10K 20A FF			



**Note**  
 1. Model : GS5000  
 2. Material : PTFE  
 3. Connection : Flange

ALL DIMENSIONS SPECIFIED UNLESS OTHERWISE SPECIFIED DIMENSIONS ARE IN MILLIMETERS UNLESS OTHERWISE SPECIFIED		UNITS: DIMENSIONS ARE IN MILLIMETERS UNLESS OTHERWISE SPECIFIED		DO NOT SCALE DRAWING		REVISION	
DRAWN: W. PARK		DATE: 2020.02.21		MATERIAL: PTFE		E-WHA CHEMICAL FEEDER CO., LTD.	
CHECKED: W. PARK		DATE: 2020.02.21		SCALE: 1:1		PUMP ASSEMBLY-DIM	
APPROVED: S.C. KIM		DATE: 2020.02.21		DRAWING NO. Q1004E1020B		GS5000TCF-KS 10K 20A FF	
DATE: 2020.02.21		MATERIAL: PTFE		DRAWING NO. Q1004E1020B		A1	
SCALE: 1:1		SHEET 1 OF 1					



**Note**  
 1. Model : GS5000  
 2. Material : Stainless steel  
 3. Connection : Flange

ALL DIMENSIONS SPECIFIED UNLESS OTHERWISE SPECIFIED DIMENSIONS ARE IN MILLIMETERS		FINISH		EDGE AND BREAK SHARP ENDS		DO NOT SCALE DRAWING		REVISION	
TOLERANCES UNLESS SPECIFIED									
LINEAR		ANGULAR							
DATE	BY	DATE	BY	DATE	BY	DATE	BY	DATE	BY
2020.02.21		2020.02.21		2020.02.21		2020.02.21		2020.02.21	
2020.02.21		2020.02.21		2020.02.21		2020.02.21		2020.02.21	
MATERIAL		SUS304		DWG NO.		Q1201E1020B		A1	
SCALE 1:1									