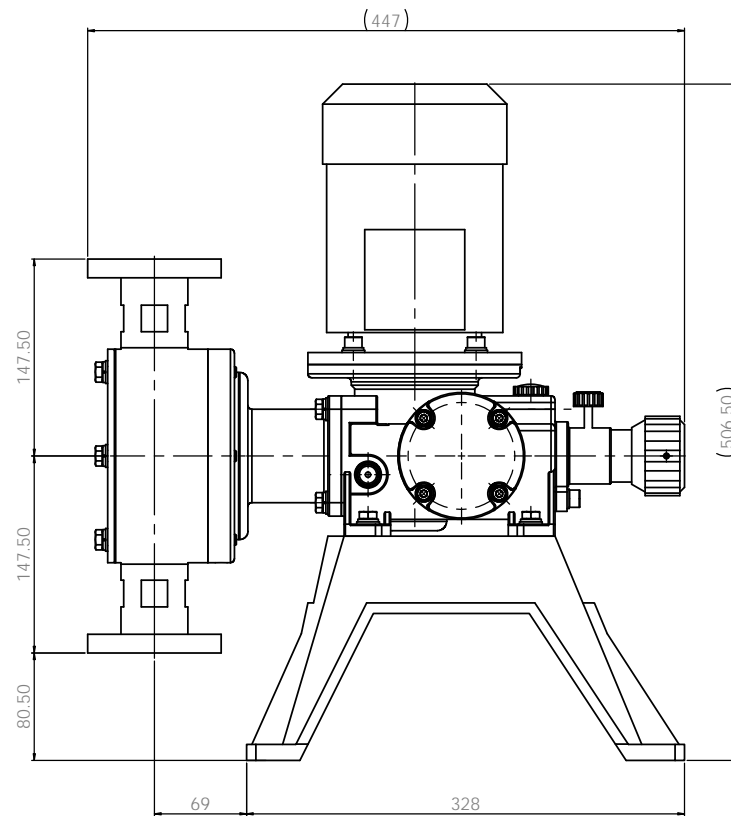
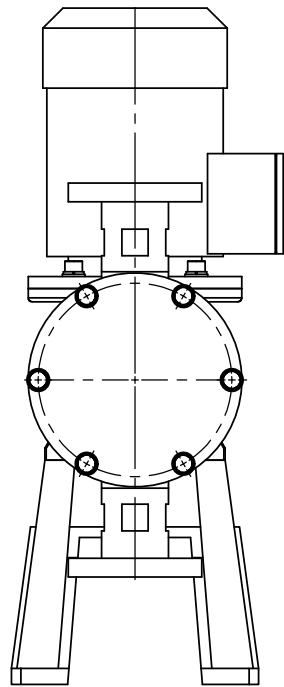
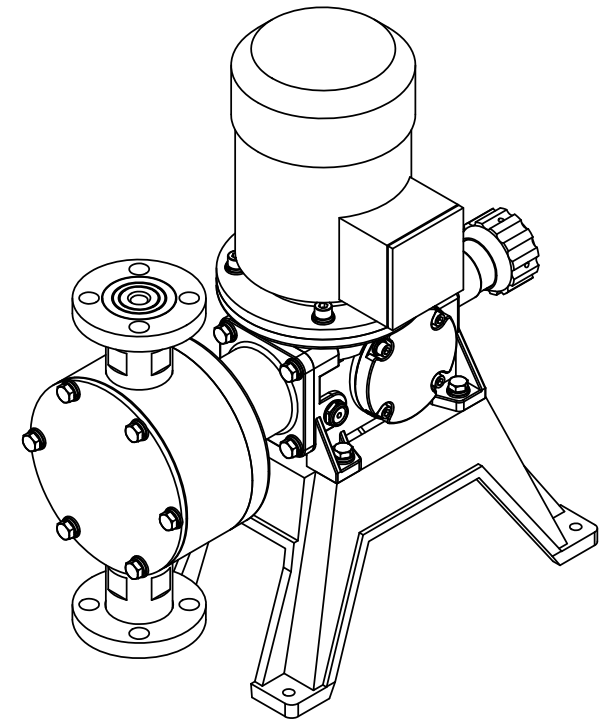
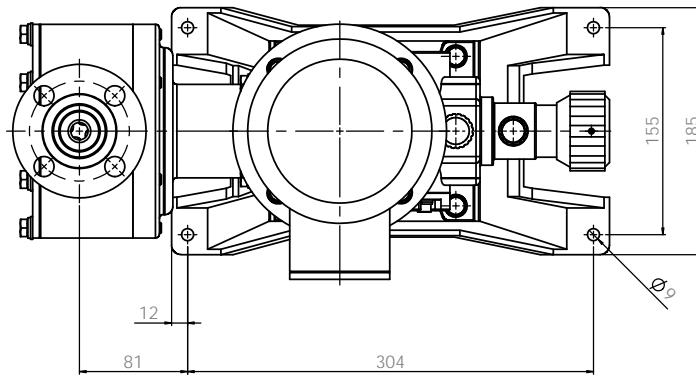


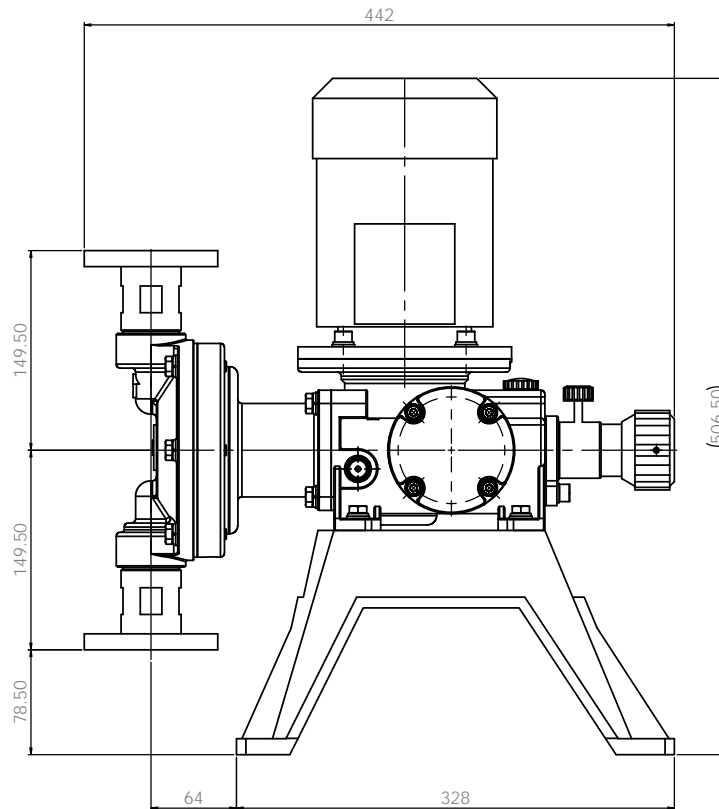
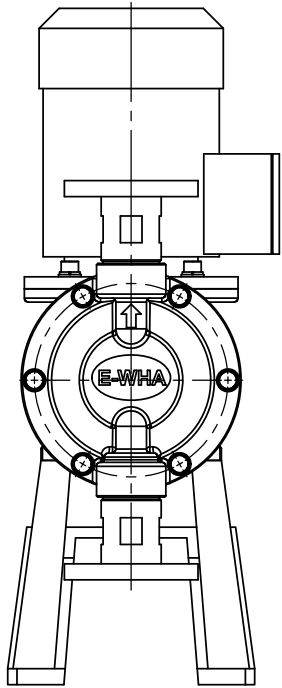
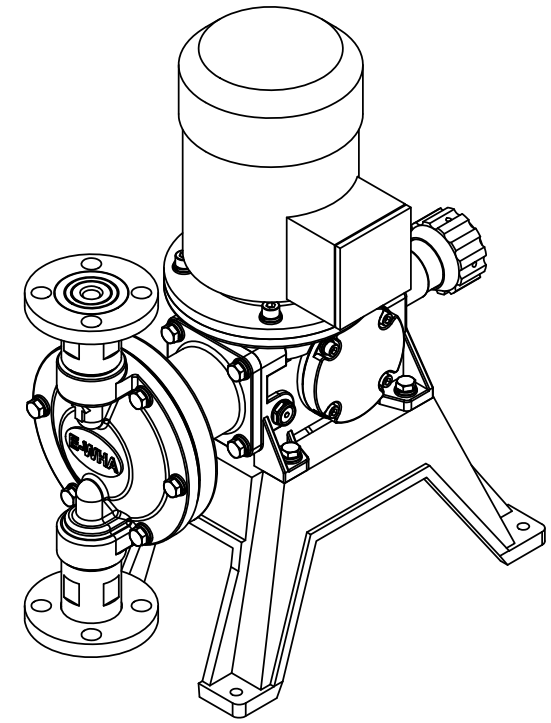
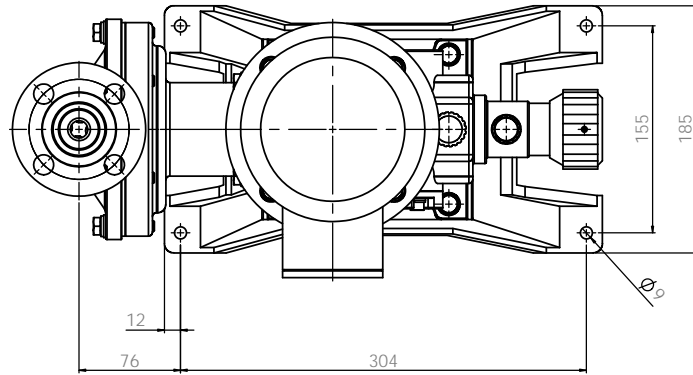
Note
 1. Model : GS6000
 2. Material : PP / PVDF
 3. Connection : Flange

ALL DIMENSIONS SPECIFIED UNLESS OTHERWISE SPECIFIED DIMENSIONS ARE IN MILLIMETERS UNLESS INDICATED OTHERWISE				DO NOT SCALE DRAWING		REVISION
TOLERANCES UNLESS OTHERWISE SPECIFIED				E-WHA CHEMICAL FEEDER CO., LTD.		
DATE	BY	CHECKED	DATE			
2020.02.21		2020.02.21		PUMP ASSEMBLY-DIM		
2020.02.21		2020.02.21		GS6000PCF-KS 10K 20A FF		
MATERIAL				DRAWING NO.		A1
PVC				Q1000E1022B		
SCALE 1:1				SHEET 1 OF 1		



Note
 1. Model : GS6000
 2. Material : PTFE
 3. Connection : Flange

ALL DIMENSIONS SPECIFIED UNLESS OTHERWISE SPECIFIED DIMENSIONS ARE IN MILLIMETERS				TOLERANCES UNLESS SPECIFIED		DO NOT SCALE DRAWING		REVISION
				FRACTIONS AND DECIMALS				
				ANGLES				
DATE	DRW	CHKD	APPV	MATERIAL	SCALE	SHEET NO.		A1
2020.02.21	W. PARK	2020.02.21		PTFE	SCALE 1:1	E-WHA CHEMICAL FEEDER CO., LTD.		
2020.02.21	W. PARK	2020.02.21				PUMP ASSEMBLY-DIM		
2020.02.21	S.C. KIM	2020.02.21				GS6000TCF-KS 10K 20A FF		
						Q1004E1022B		



Note
 1. Model : GS6000
 2. Material : Stainless steel
 3. Connection : Flange

ALL DIMENSIONS SPECIFIED UNLESS OTHERWISE SPECIFIED DIMENSIONS ARE IN MILLIMETERS UNLESS OTHERWISE SPECIFIED		FINISH		EDGE AND BREAK SHARP EXCEPT		DO NOT SCALE DRAWING		REVISION	
TOLERANCES UNLESS OTHERWISE SPECIFIED		DATE		DATE		DATE		DATE	
DRAWN	W. PAK	2020.02.21						E-WHA CHEMICAL FEEDER CO., LTD.	
CHECKED	W. PAK	2020.02.21						PUMP ASSEMBLY-DIM	
APPROVED	S.C. KIM	2020.02.22						GS6000S4S4F-KS 10K 20A FF	
DATE								MATERIAL	
								SUS304	
								DWG. NO.	
								Q1201E1022B	
								SCALE 1:1	
								SHEET 1 OF 1	