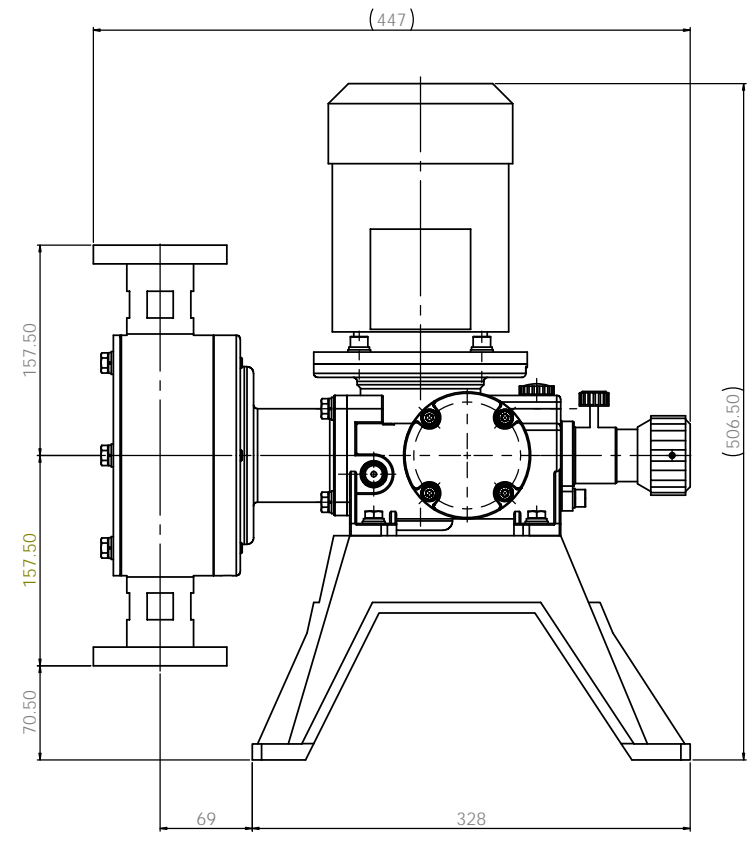
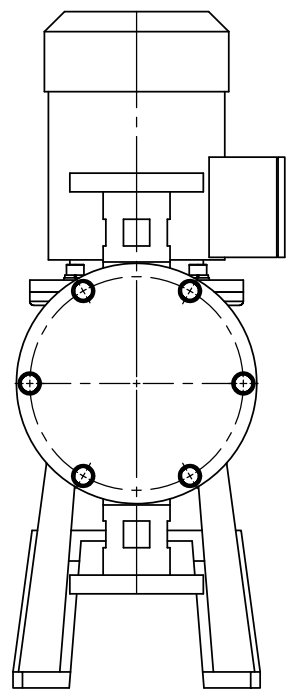
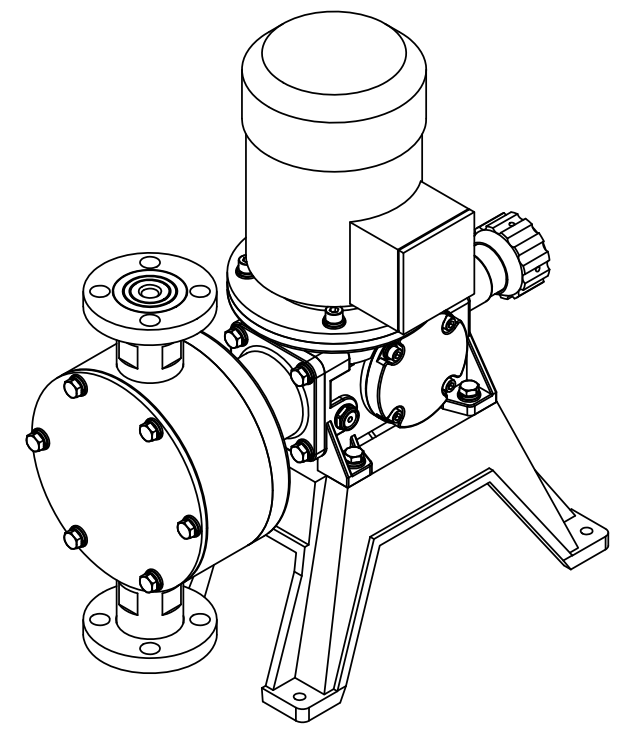
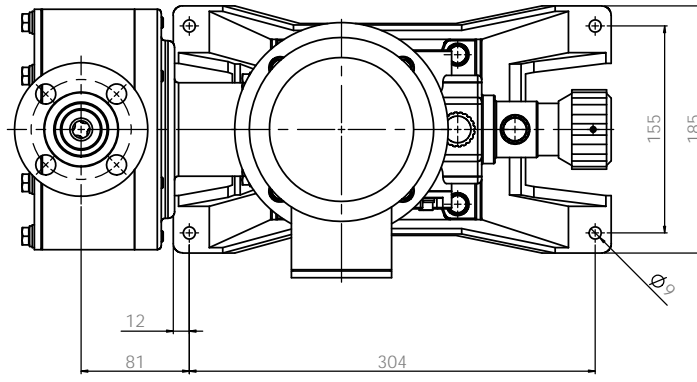


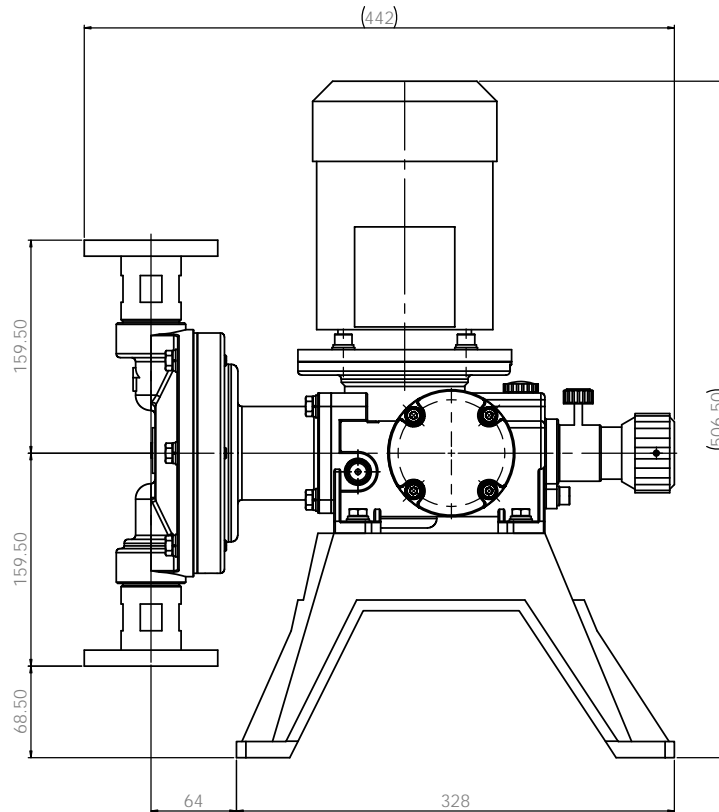
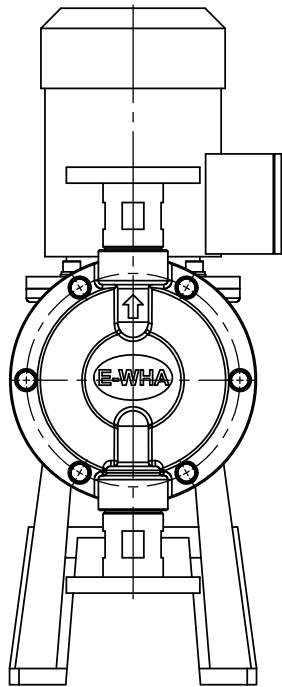
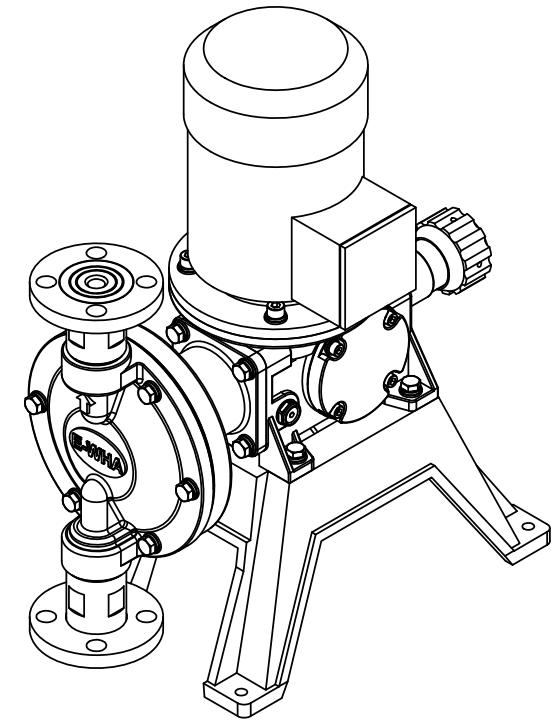
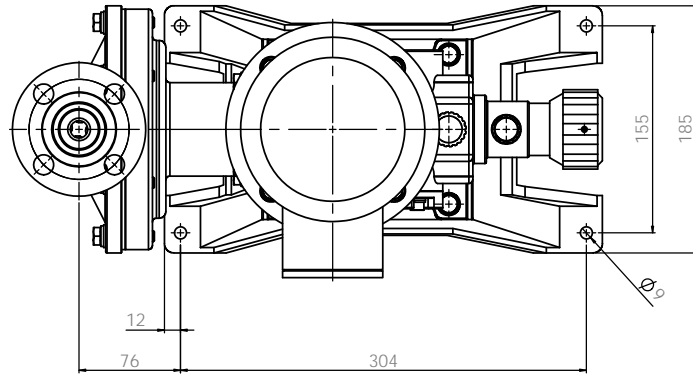
Note
 1. Model : GS8000
 2. Material : PP / PVDF
 3. Connection : Flange

ALL DIMENSIONS SPECIFIED UNLESS OTHERWISE SPECIFIED DIMENSIONS ARE IN MILLIMETERS				FINISH AND BEVEL SHARP EDGES		DO NOT SCALE DRAWING		REVISION
TOLERANCES UNLESS OTHERWISE SPECIFIED				TOLERANCES UNLESS OTHERWISE SPECIFIED		TOLERANCES UNLESS OTHERWISE SPECIFIED		E-WHA CHEMICAL FEEDER CO., LTD.
DATE	BY	CHECKED	DATE	DATE	DATE	DATE	DATE	DATE
2024.02.21	W. PARK	2024.02.21						
2024.02.21	W. PARK	2024.02.21						
2024.02.21	S.C. KIM	2024.02.21						
MATERIAL				DRAWING NO.		SHEET NO.		A1
PVC				Q1000E1024B		SCALE 1:1		SHEET 1 OF 1



Note
 1. Model : GS8000
 2. Material : PTFE
 3. Connection : Flange

ALL DIMENSIONS SPECIFIED UNLESS OTHERWISE SPECIFIED DIMENSIONS ARE IN MILLIMETERS			FINISH AND BREAK SHARP EDGES		DO NOT SCALE DRAWING		REVISION
TOLERANCES UNLESS OTHERWISE SPECIFIED			MATERIAL		E-WHA CHEMICAL FEEDER CO., LTD.		
DATE	BY	CHKD	DATE	BY	PUMP ASSEMBLY-DIM		
2024.02.21	W. PARK	2024.02.21			GS8000T-CF-KS 10K 20A FF		
2024.02.21	W. PARK	2024.02.21					
2024.02.21	S.C. KIM	2024.02.21					
2024.02.21	W. PARK						
Dwg. No.			MATERIAL		Dwg. No.		A1
			PTFE		Q1004E1024B		
SCALE 1:1			REQUIR.		SHEET 1 OF 1		



Note
 1. Model : GS8000
 2. Material : Stainless steel
 3. Connection : Flange

ALL DIMENSIONS SPECIFIED UNLESS OTHERWISE SPECIFIED DIMENSIONS ARE IN MILLIMETERS		FINISH		EDGE AND BREAK SHARP		DO NOT SCALE DRAWING		REVISION	
TOLERANCES UNLESS OTHERWISE SPECIFIED		ANGULAR		DOTTED					
DATE	BY	DATE	BY	DATE	BY	DATE	BY	DATE	BY
2020.02.21		2020.02.21		2020.02.21		2020.02.21		2020.02.21	
2020.02.21		2020.02.21		2020.02.21		2020.02.21		2020.02.21	
SUS304		MATERIAL		SUS304		DWG NO.		Q1201E1024B	
SCALE 1:1		SHEET 1 OF 1							

E-WHA CHEMICAL FEEDER CO., LTD.

PUMP ASSEMBLY-DIM
 GS8000S4S4F-KS 10K 20A FF

A1