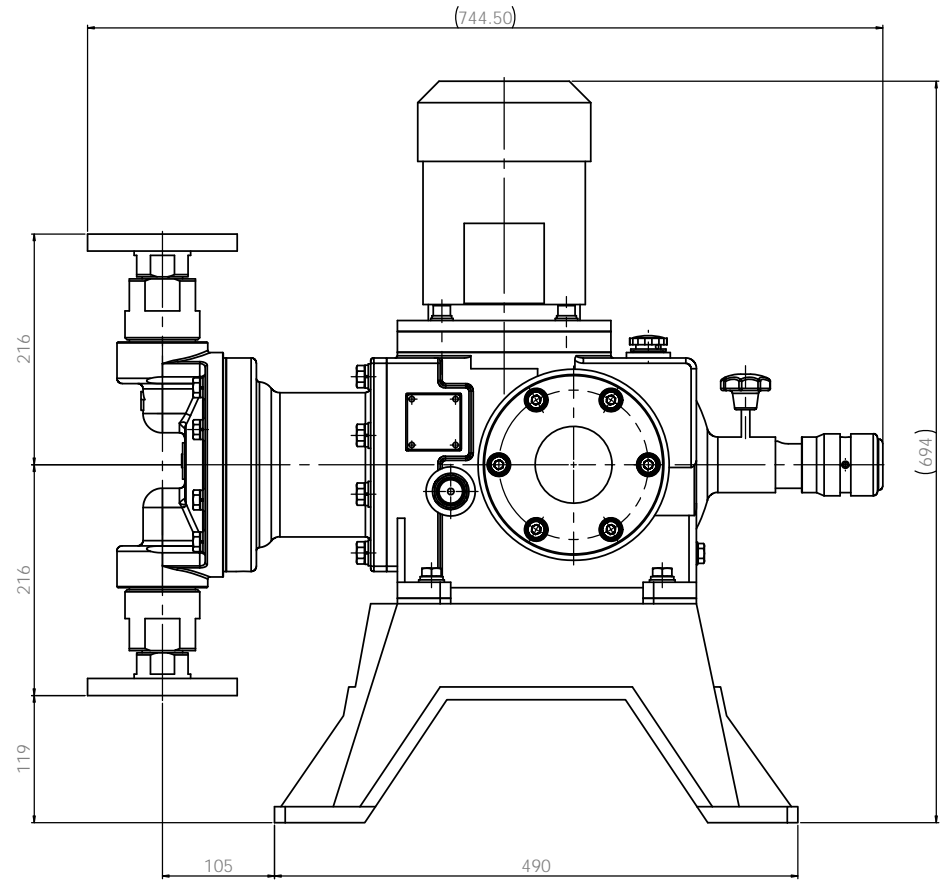
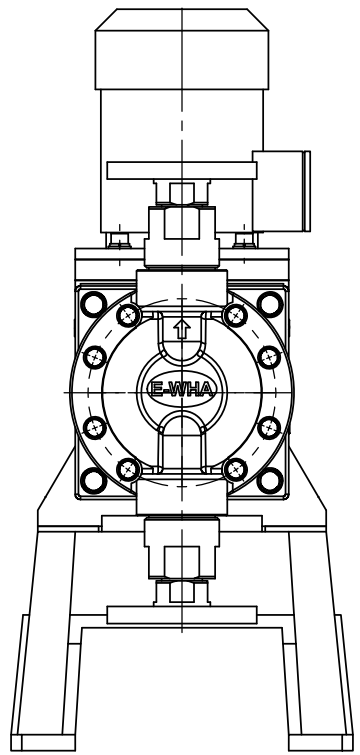
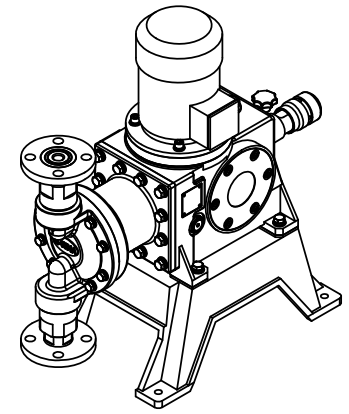
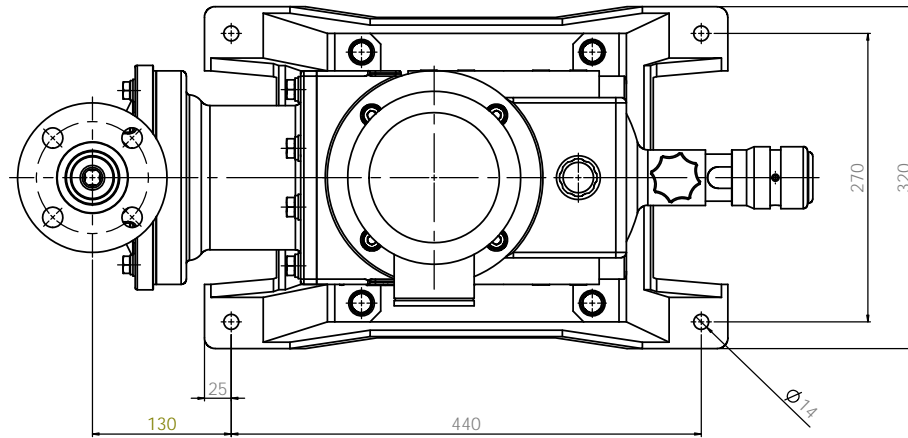


**Note**  
 1. Model : GL10L  
 2. Material : PP / PVDF / PTFE  
 3. Connection : Flange

ALL DIMENSIONS SPECIFIED UNLESS OTHERWISE SPECIFIED DIMENSIONS ARE IN MILLIMETERS TOLERANCES: HORIZONTAL ANGULAR		FINISH BRASS AND BRASS SHARP ENDS	DO NOT SCALE DRAWING REVISION
DRAWN W. PARK DATE 2020.02.21	CHECKED W. PARK DATE 2020.02.21	DESIGNED S.C. KIM DATE 2020.02.21	MATERIAL PVC
TITLE PUMP ASSEMBLY-DIM GL10LPCF-KS 10K 40A FF		DWG. NO. S1000E1002C	SHEET NO. A1
SCALE 1:1.25		SHEET 1 OF 1	



**Note**  
 1. Model : GL10L  
 2. Material : Stainless steel  
 3. Connection : Flange

ALL DIMENSIONS SPECIFIED UNLESS OTHERWISE SPECIFIED DIMENSIONS ARE IN MILLIMETERS TOLERANCES: FINISH: ANGULAR		DIMENSIONS FINISH: ANGULAR	DO NOT SCALE DRAWING REVISION
DRAWN: W. PARK CHECK: W. PARK APPROV: S.C. KAP	DATE: 2020.02.21 DATE: 2020.02.21 DATE: 2020.02.22	SCALE: 1:1 SHEET: 1 OF 1	E-WHA CHEMICAL FEEDER CO., LTD. PUMP ASSEMBLY-DIM GL10LS4S4F-KS 10K 40A FF S1001E1002C