

**Note**  
 1. Model : GL30L  
 2. Material : PP / PVDF / PTFE  
 3. Connection : Flange

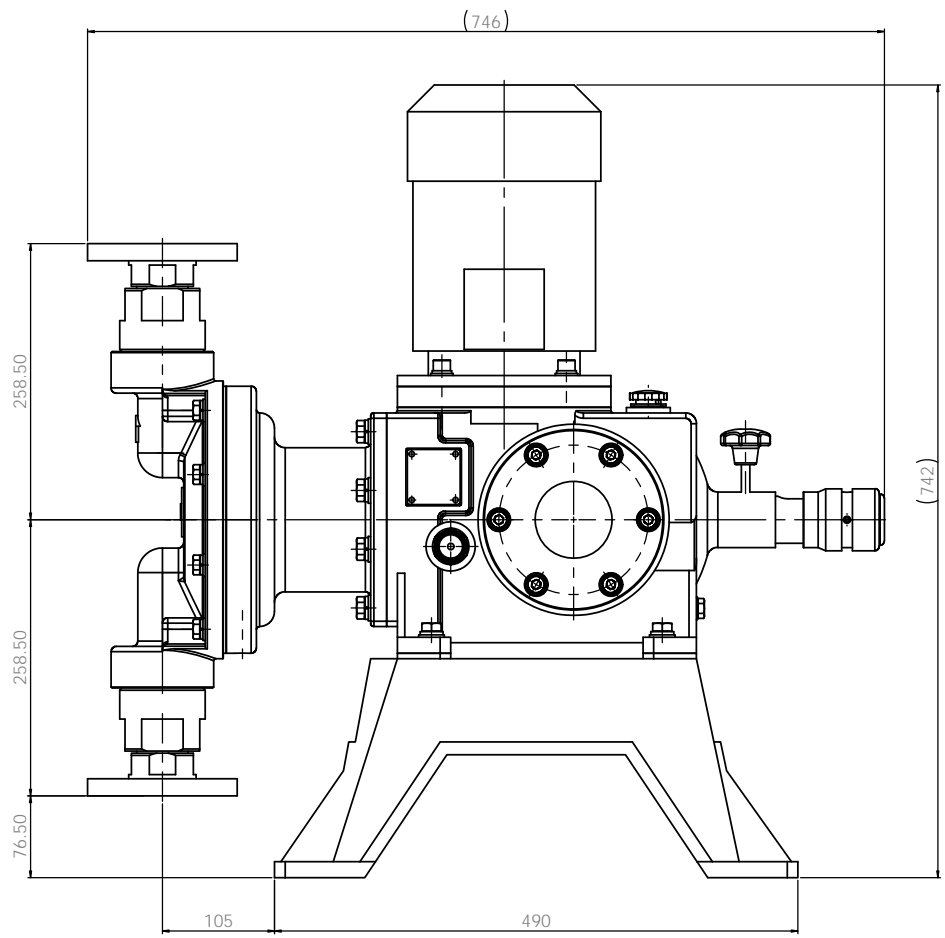
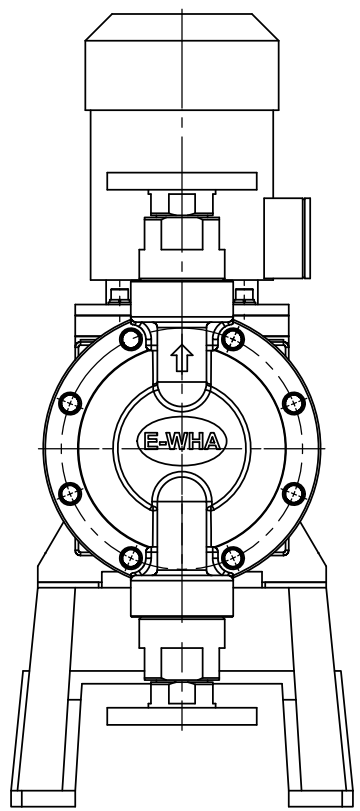
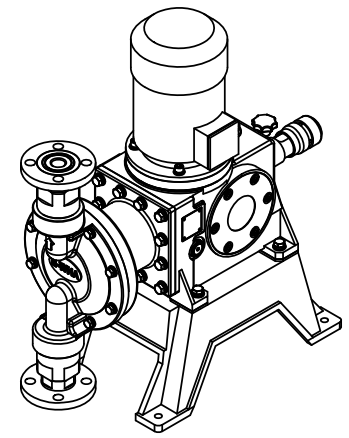
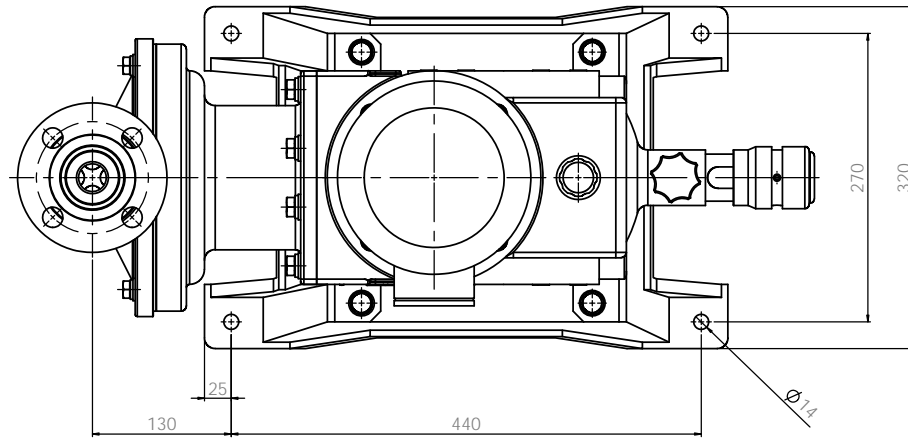
PANEL COMPANY SPECIFIED DIMENSIONS ARE IN MILLIMETERS TOLERANCES UNLESS SPECIFIED				FINISH		SCALE AND BREAK SHARP EDGES		DO NOT SCALE DRAWING		REVISION	
DATE	BY	CHKD	APP'D	DATE	BY	DATE	BY	NO.	DESCRIPTION	DATE	BY
2024.02.21	W. PARK			2024.02.21							
2024.02.21	W. PARK			2024.02.21							
2024.02.21	S.C. KIM			2024.02.21							
MATERIAL								PVC		S1000E1006A	
SCALE 1:1.25										SHEET 1 OF 1	

E-WHA CHEMICAL FEEDER CO., LTD.

PUMP ASSEMBLY-DIM  
 GL30LPCF-KS 10K 40A FF

S1000E1006A

A1



**Note**  
 1. Model : GL30L  
 2. Material : Stainless steel  
 3. Connection : Flange

PUMP ASSEMBLY SPECIFIED DIMENSIONS ARE IN MILLIMETERS			UNITS AND BRAG SHARP EDGE		DO NOT SCALE DRAWING		REVISION	
DATE	BY	CHKD	DATE	BY	DATE	BY	DATE	BY
2020.02.21			2020.02.21					
2020.02.21			2020.02.21					
2020.02.21			2020.02.21					
MATERIAL: SUS304			SHEET NO: S1001E1006A		SCALE: 1:1		SHEET 1 OF 1	

E-WHA CHEMICAL FEEDER CO., LTD.  
 PUMP ASSEMBLY-DIM  
 GL30LS4S4F-KS 10K 40A FF