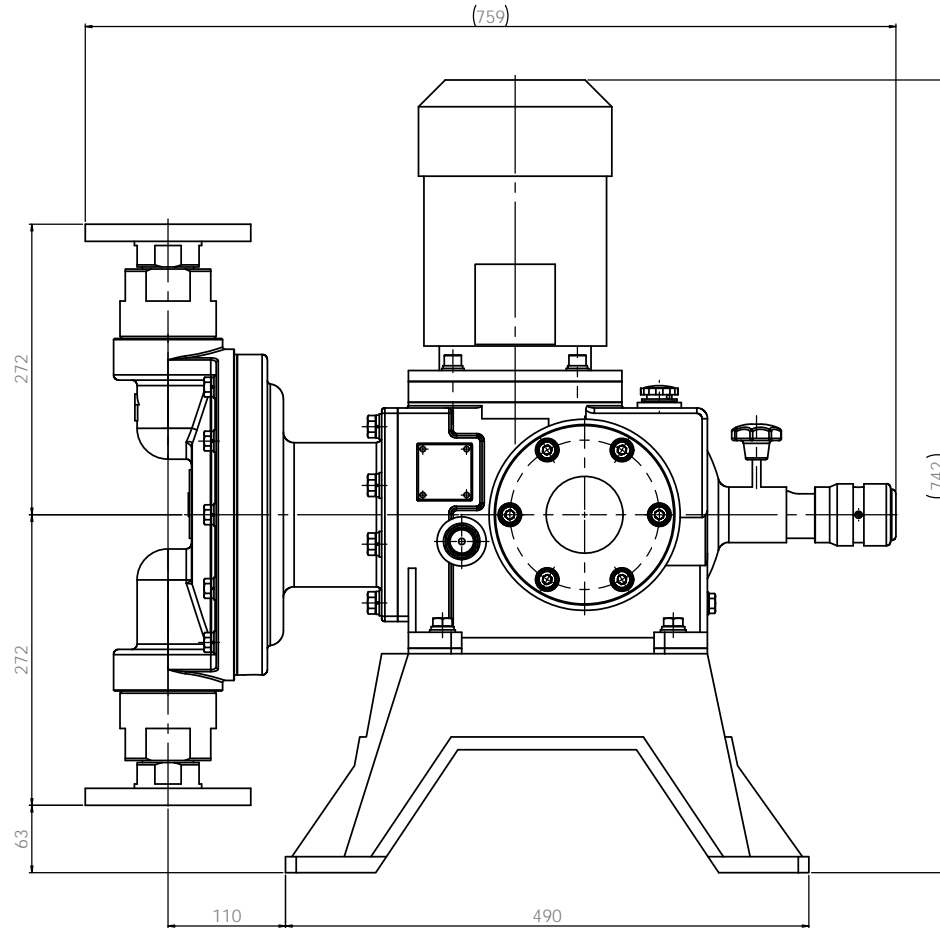
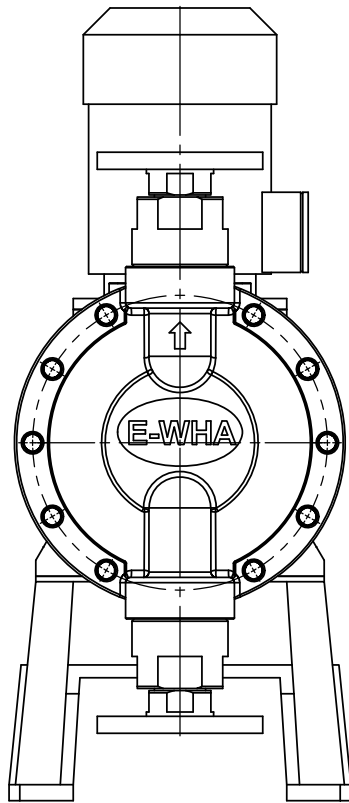
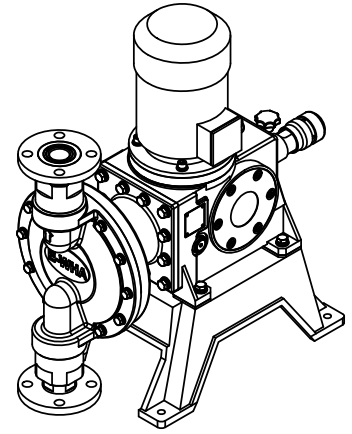
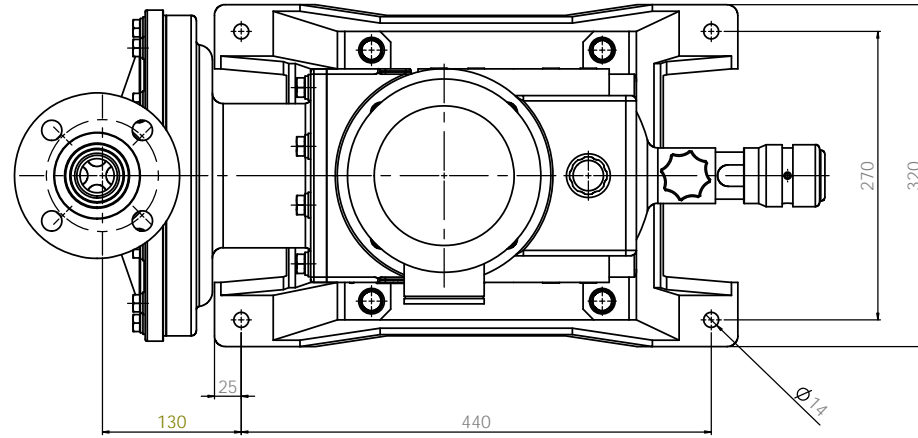


**Note**  
 1. Model : GL50L  
 2. Material : PP / PVDF / PTFE  
 3. Connection : Flange

ALL DIMENSIONS SPECIFIED UNLESS OTHERWISE SPECIFIED DIMENSIONS ARE IN MILLIMETERS TOLERANCES: FINISH: ANGULAR		FINISH: BEZEL AND BREAK SHARP EDGES	DO NOT SCALE DRAWING REVISION
DRAWN: W. PARK CHECK: W. PARK APPROV: S.C. KIM DATE: 2020.02.21 DATE: 2020.02.21 DATE: 2020.02.21	MODEL: S1000E1010B SHEET:	TITLE: PUMP ASSEMBLY-DIM GL50LPCF-KS 10K 50A FF	MATERIAL: PVC DIMC NO: S1000E1010B SCALE: 1:1.25 SHEET 1 OF 1



**Note**  
 1. Model : GL50L  
 2. Material : Stainless steel  
 3. Connection : Flange

PUMP ASSEMBLY SPECIFIED DIMENSIONS ARE IN MILLIMETERS TOLERANCES: HORIZONTAL ANGULAR		FINISH	EDGE AND BREAK SHARP EDGE	DO NOT SCALE DRAWING	REVISION
DATE	SCALE	DATE			
2020.02.21		2020.02.21			
2020.02.21		2020.02.21			
2020.02.21		2020.02.21			
MATERIAL			SUS304		
DRAWING NO.			S1001E1010B		A1
SCALE 1:1			SCALE 1:1		SHEET 1 OF 1

E-WHA CHEMICAL FEEDER CO., LTD.  
 PUMP ASSEMBLY-DIM  
 GL50LS4S4F-KS 10K 50A FF