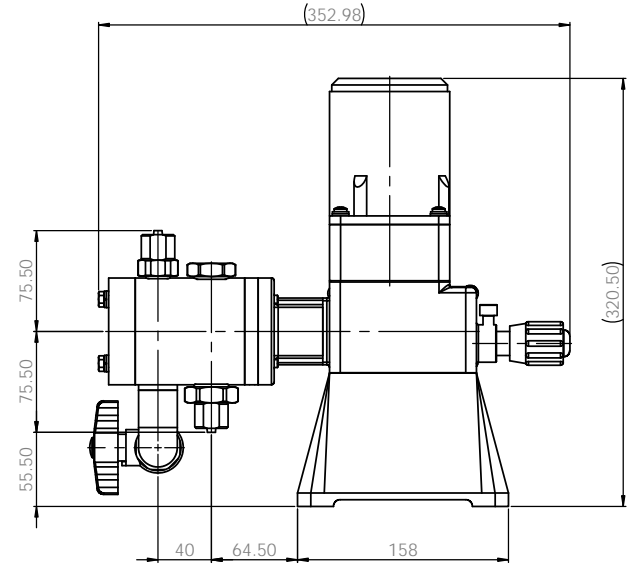
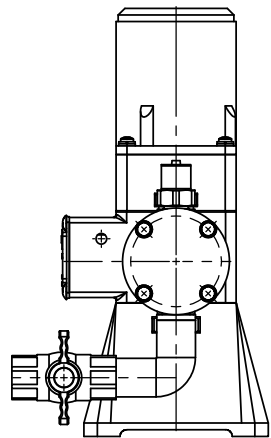
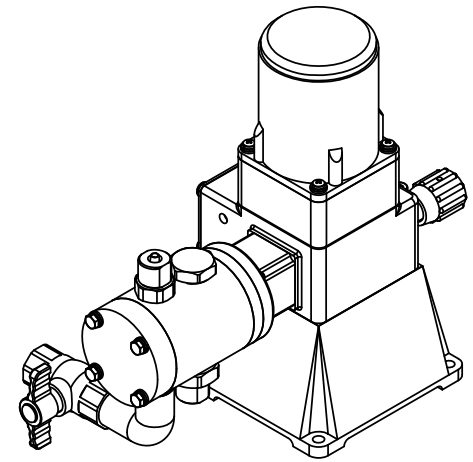
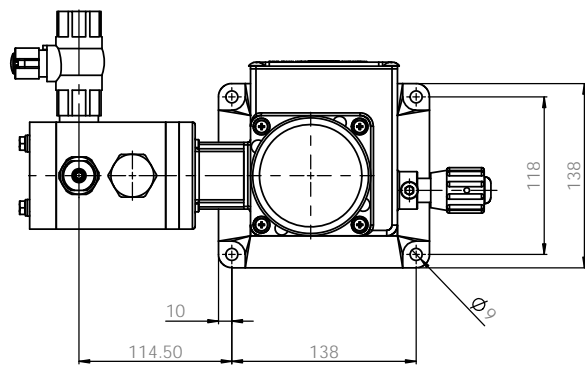


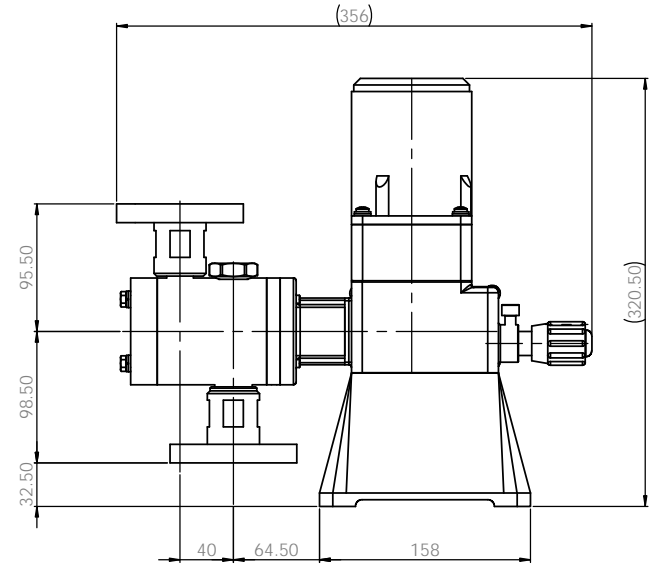
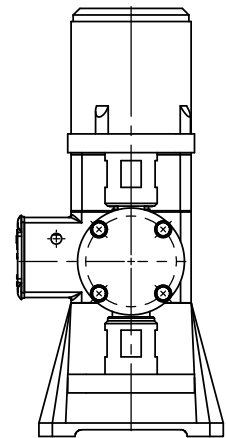
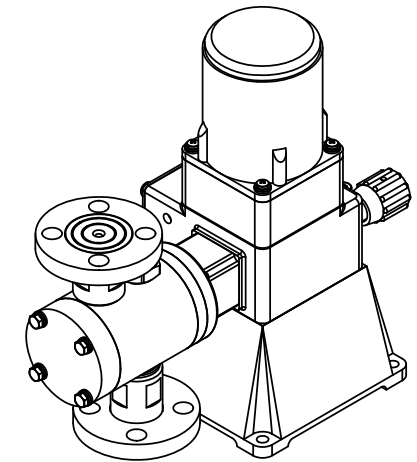
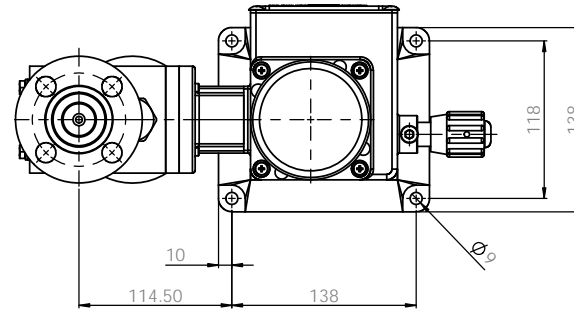
Note
 1. Model : EWS100
 2. Material : PP / PVDF
 3. Connection : Hose
 4. Drain valve : Not installed

ALL DIMENSIONS SPECIFIED UNLESS OTHERWISE SPECIFIED DIMENSIONS ARE IN MILLIMETERS TOLERANCES: HORIZONTAL ANGULAR			FINISH BRASS AND BRASS SHARP POLISH	DO NOT SCALE DRAWING REVISION
DRAWN: W. PARK CHECK: W. PARK APPROV: S.C. KIM DATE: 2020.02.21 DATE: 2020.02.21 DATE: 2020.02.21			EWS100 PUMP ASSEMBLY-DIM EWS100PCH-H06	E-WHA CHEMICAL FEEDER CO., LTD. SHEET 1 OF 1
Dwg No. A1000E1009A Material: PVC			Scale: 1:1	A1



Note
 1. Model : EWS100
 2. Material : PP
 3. Connection : Hose
 4. Drain valve : Installed

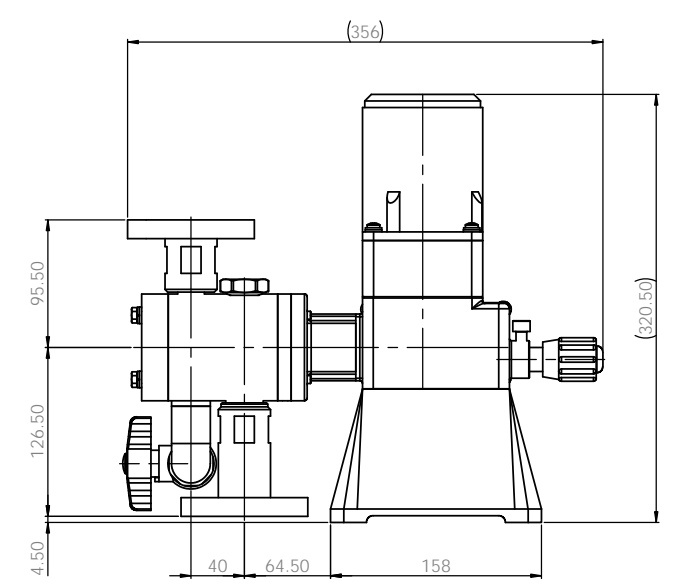
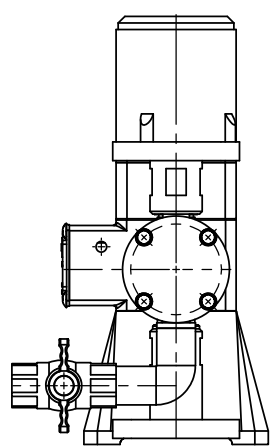
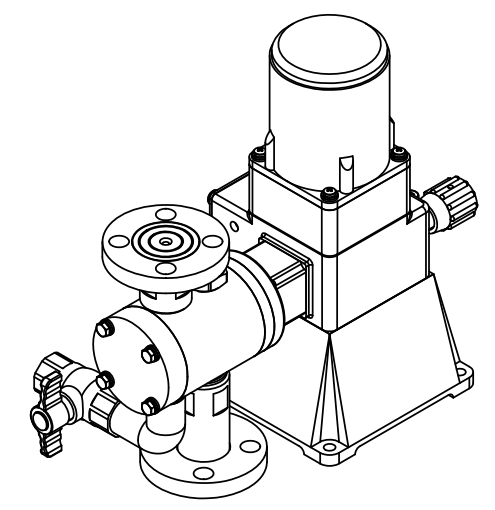
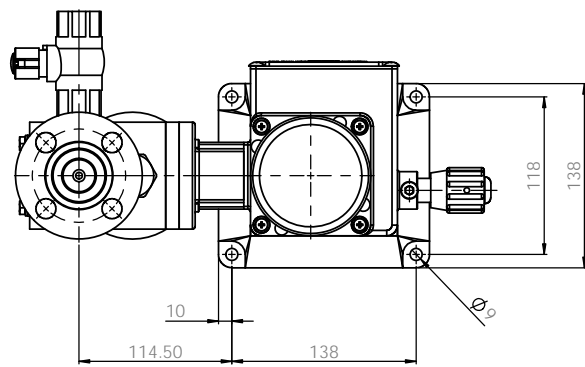
ALL DIMENSIONS SPECIFIED UNLESS OTHERWISE SPECIFIED DIMENSIONS ARE IN MILLIMETERS TOLERANCES: FINISH: ANGULAR			FINISH: BRASS AND BRASS SHARP EDGE	DO NOT SCALE DRAWING REVISION
DRAWN: W. PARK CHECK: W. PARK APPROV: S.C. KIM DATE: 2020.02.21 DATE: 2020.02.21 DATE: 2020.02.22	DESIGNER: DATE: DATE: DATE:	EWS100 PUMP ASSEMBLY-DIM EWS100PCHD-H06	MATERIAL: PVC	SHEET NO.: A1000E1010A
SCALE: 1:1			SHEET 1 OF 1	E-WHA CHEMICAL FEEDER CO., LTD.



Note

1. Model : EWS100
2. Material : PP / PVDF
3. Connection : Flange
4. Drain valve : Not installed

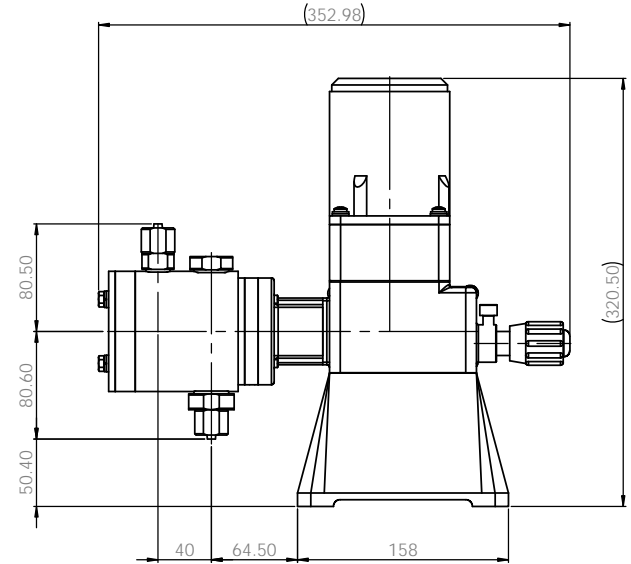
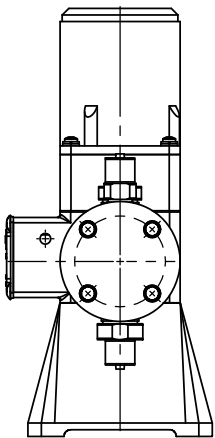
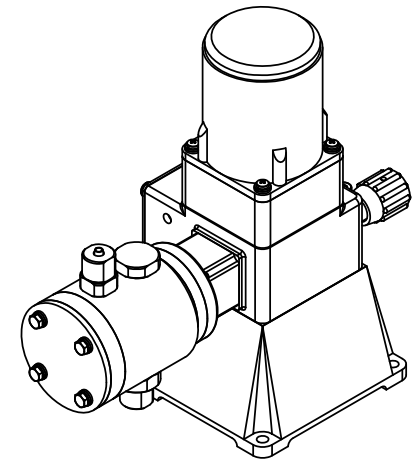
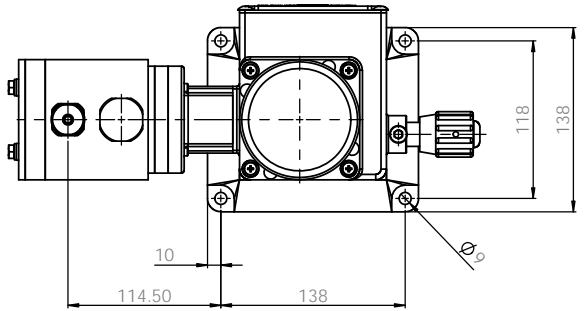
ALL DIMENSIONS SPECIFIED UNLESS OTHERWISE SPECIFIED DIMENSIONS ARE IN MILLIMETERS TOLERANCES: FRACTIONS DECIMALS ANGULAR			FINISH BRASS AND BRASS SHARP ENDS	DO NOT SCALE DRAWING REVISION
DRAWN W. PARK	CHECKED W. PARK	DATE 2020.02.21	DESIGNED S.C. KIM	DATE 2020.02.21
MATERIAL PVC			DRAWING NO. A1000E1011A	SHEET NO. A1
E-WHA CHEMICAL FEEDER CO., LTD.			PUMP ASSEMBLY-DIM EWS100PCF-KS 10K 15A FF	



Note

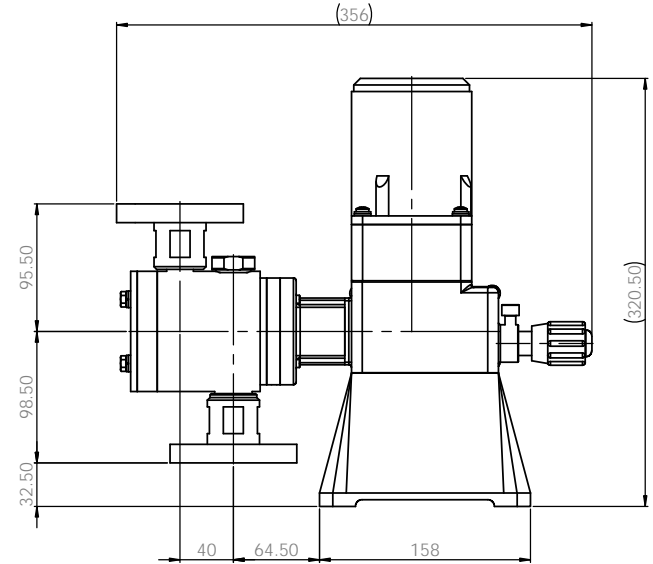
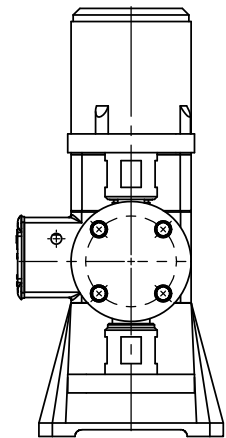
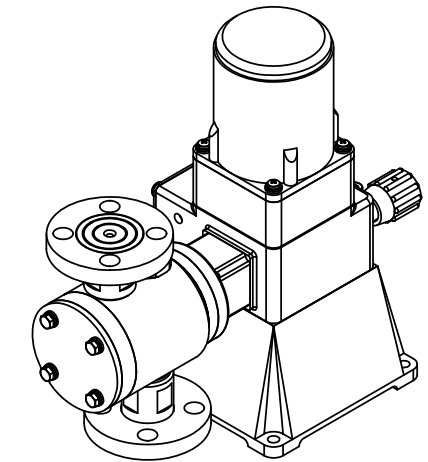
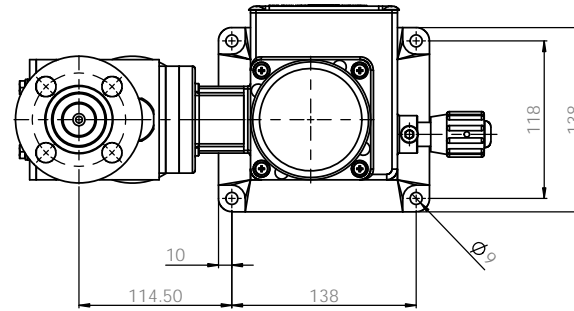
1. Model : EWS100
2. Material : PP
3. Connection : Hose
4. Drain valve : Installed

ALL DIMENSIONS SPECIFIED UNLESS OTHERWISE SPECIFIED DIMENSIONS ARE IN MILLIMETERS TOLERANCES: HORIZONTAL ANGULAR			FINISH BRASS AND BRASS SHARP ENDS	DO NOT SCALE DRAWING REVISION
DRAWN W. PARK DATE 2020.02.21	CHECKED W. PARK DATE 2020.02.21	DESIGNED S.C. KIM DATE 2020.02.21	MATERIAL PVC	EWS100E1012A A1
E-WHA CHEMICAL FEEDER CO., LTD. PUMP ASSEMBLY-DIM EWS100PCFD-KS 10K 15A FF			SCALE 1:1	SHEET 1 OF 1



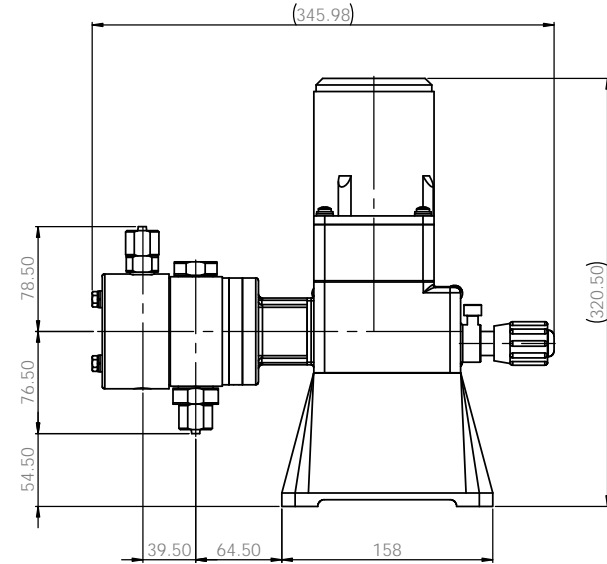
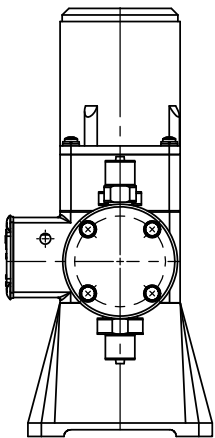
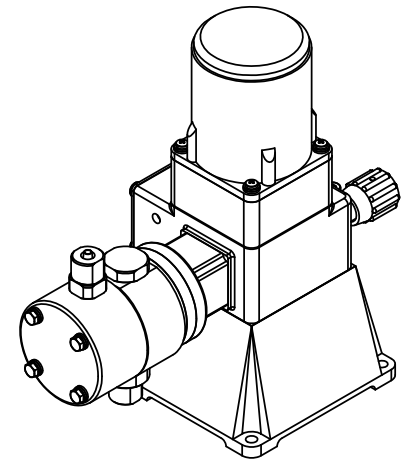
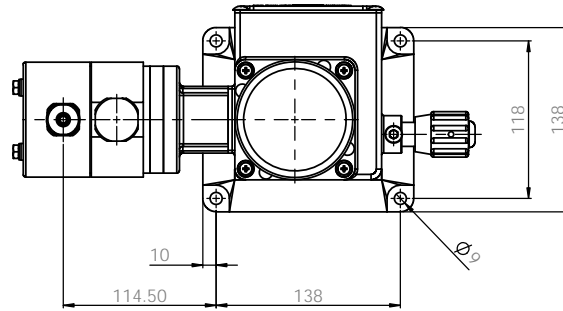
Note
 1. Model : EWS100
 2. Material : PTFE
 3. Connection : Hose
 4. Drain valve : N/A

ALL DIMENSIONS SPECIFIED UNLESS OTHERWISE SPECIFIED DIMENSIONS ARE IN MILLIMETERS TOLERANCES: HOLE: ±0.05 ANGULAR: ±0.5°		FINISH: BRASS AND BRASS SHARP EDGE	DO NOT SCALE DRAWING REVISION:
DRAWN: W. PARK CHECK: W. PARK APPROV: S.C. KIM DATE: 2020.02.21 DATE: 2020.02.21 DATE: 2020.02.22		TITLE: PUMP ASSEMBLY-DIM EWS100TCH-H06	E-WHA CHEMICAL FEEDER CO., LTD. SHEET NO. A1 SCALE: 1:1 SHEET 1 OF 1



Note
 1. Model : EWS100
 2. Material : PTFE
 3. Connection : Flange
 4. Drain valve : N/A

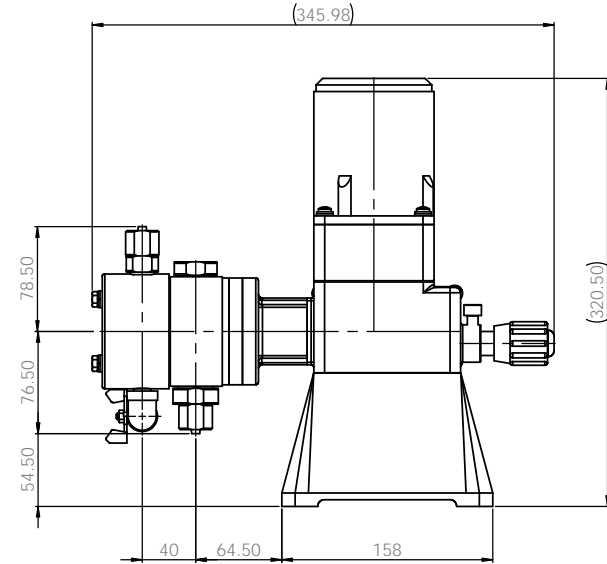
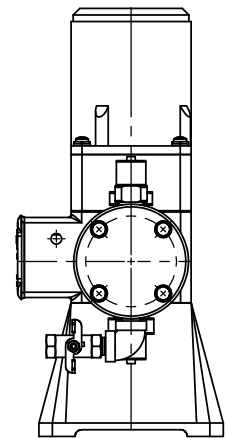
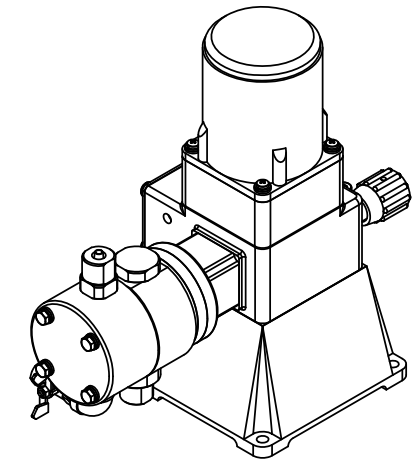
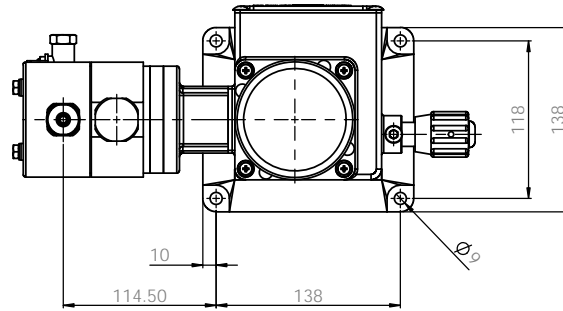
ALL DIMENSIONS SPECIFIED UNLESS OTHERWISE SPECIFIED DIMENSIONS ARE IN MILLIMETERS TOLERANCES: FINISH: ANGULAR			FINISH: BRASS: GRASP STEEL:	DO NOT SCALE DRAWING REVISION:
DRAWN: W. PARK CHECK: W. PARK APPROV: S.C. KIM DATE: 2020.02.21 DATE: 2020.02.21 DATE: 2020.02.22	DESIGNER: W. PARK DATE: 2020.02.21	MATERIAL: PTFE	DRAWING NO: A1004E1011A	SHEET 1 OF 1



Note

1. Model : EWS100
2. Material : Stainless steel
3. Connection : Hose
4. Drain valve : Not installed

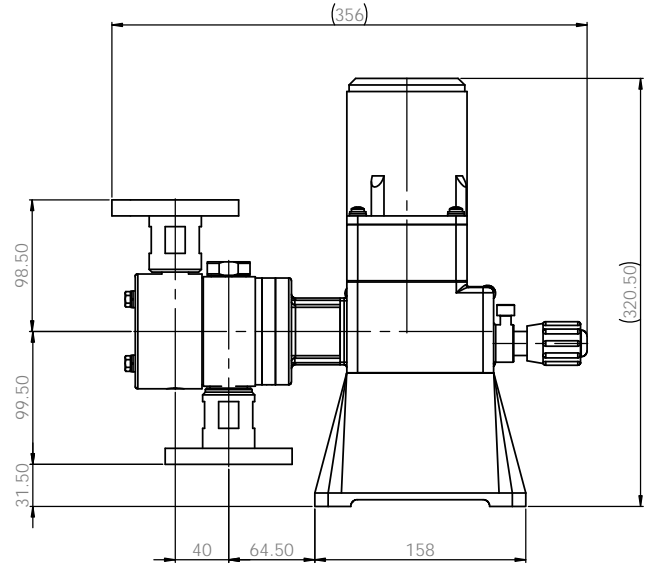
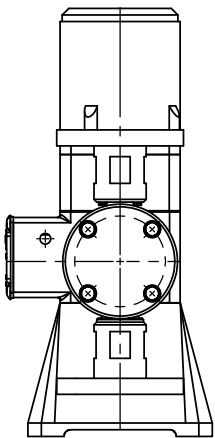
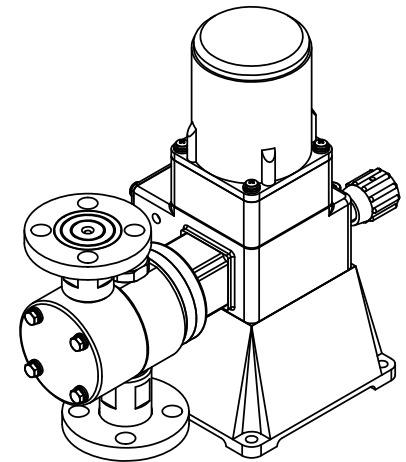
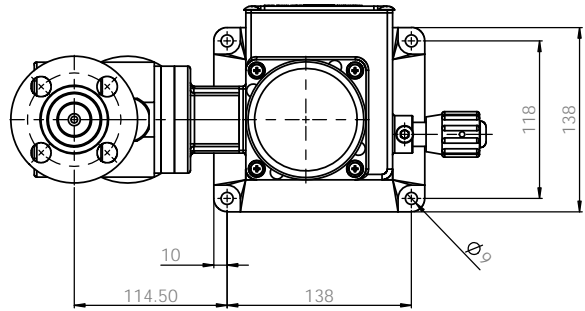
ALL DIMENSIONS SPECIFIED UNLESS OTHERWISE SPECIFIED DIMENSIONS ARE IN MILLIMETERS TOLERANCES: FINISH: ANGULAR		FINISH: BRASS AND BRASS SHARP EDGE	DO NOT SCALE DRAWING REVISION
DRAWN: W. PARK CHECK: W. PARK APPROV: S.C. KIM DATE: 2020.02.21 DATE: 2020.02.21 DATE: 2020.02.22	DESIGNED: DRAWN: CHECKED: DATE:	MATERIAL: SUS304	E-WHA CHEMICAL FEEDER CO., LTD. PUMP ASSEMBLY-DIM EWS100S4S4H-H06 SHEET NO. A1301E1009A SHEET 1 OF 1



Note

1. Model : EWS100
2. Material : Stainless steel
3. Connection : Hose
4. Drain valve : Installed

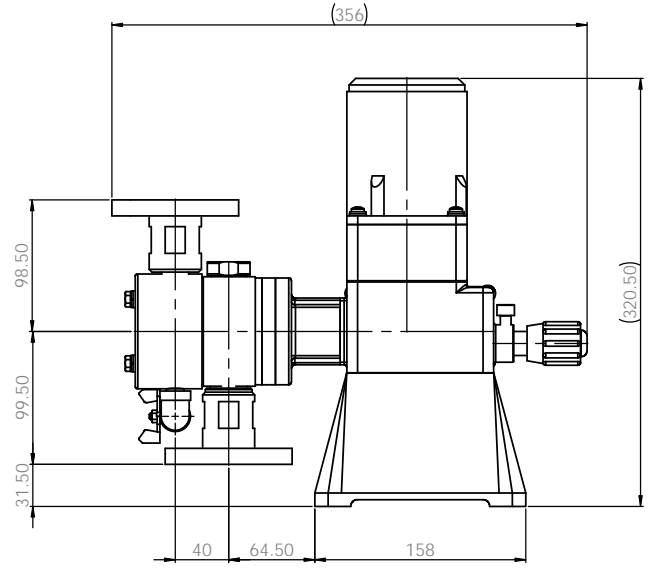
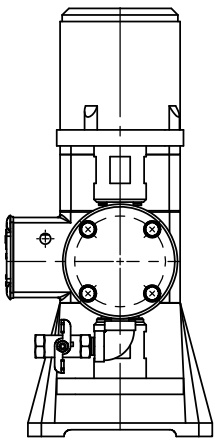
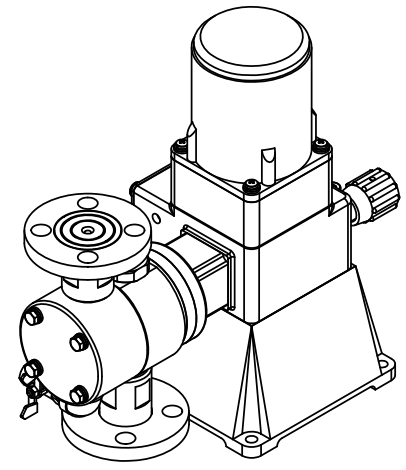
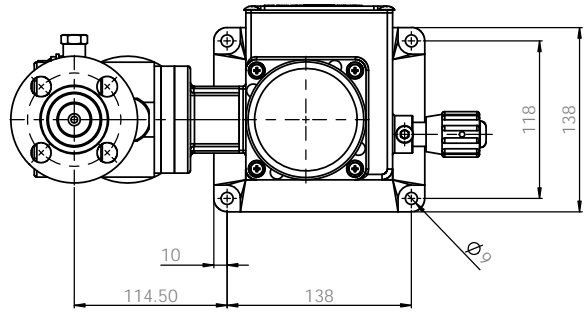
ALL DIMENSIONS SPECIFIED UNLESS OTHERWISE SPECIFIED DIMENSIONS ARE IN MILLIMETERS TOLERANCES: FRACTIONS DECIMALS ANGULARS		FINISH BRASS AND BRASS SHARP ENDS	DO NOT SCALE DRAWING REVISION
DATE: 2020.02.21 DRAWN: W. PARK CHECK: W. PARK APPROV: S.C. KIM DESIG:		DATE: 2020.02.21 DATE: 2020.02.21 DATE: 2020.02.21	E-WHA CHEMICAL FEEDER CO., LTD. PUMP ASSEMBLY-DIM EWS100S4S4HD-H06
MATERIAL: SUS304		DWG NO: A1301E1010A	A1



Note

1. Model : EWS100
2. Material : Stainless steel
3. Connection : Flange
4. Drain valve : Not installed

ALL DIMENSIONS SPECIFIED UNLESS OTHERWISE SPECIFIED DIMENSIONS ARE IN MILLIMETERS TOLERANCES: FINISH: ANGULAR			FINISH: BRASS SHARP EDGE	DO NOT SCALE DRAWING REVISION
DRAWN: W. PARK CHECK: W. PARK APPROV: S.C. KIM DATE: 2020.02.21 DATE: 2020.02.21 DATE: 2020.02.21	MATERIAL: SUS304	DIMO NO: A1301E1011A	E-WHA CHEMICAL FEEDER CO., LTD. PUMP ASSEMBLY-DIM EWS100S4S4F-KS 10K 15A FF	A1



Note

1. Model : EWS100
2. Material : Stainless steel
3. Connection : Flange
4. Drain valve : Installed

ALL DIMENSIONS SPECIFIED UNLESS OTHERWISE SPECIFIED DIMENSIONS ARE IN MILLIMETERS TOLERANCES: FINISH: ANGULAR		FINISH: BRASS SHARP EDGE	DO NOT SCALE DRAWING REVISION
DRAWN: W. PARK CHECK: W. PARK APPROV: S.C. KIM DATE: 2020.02.21 DATE: 2020.02.21 DATE: 2020.02.22	MODEL: EWS100 DATE: 2020.02.21	MATERIAL: SUS304	DRAWING NO: A1301E1012A SCALE: 1:1 SHEET 1 OF 1