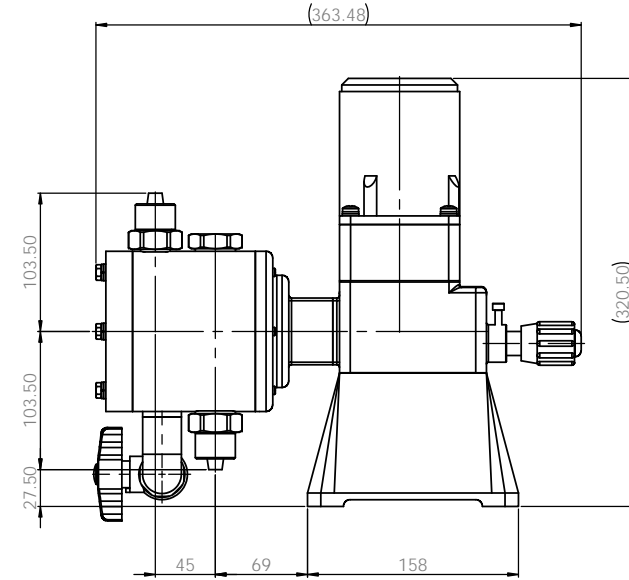
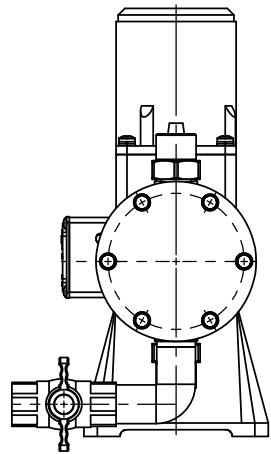
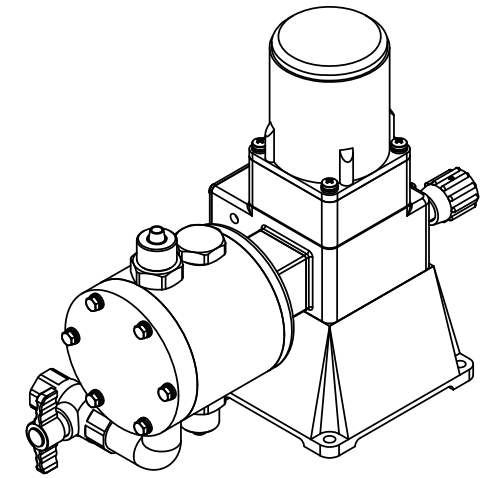
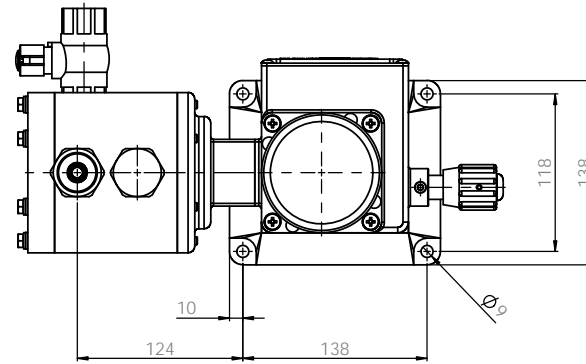


Note

1. Model : EWS1000
2. Material : PP / PVDF
3. Connection : Hose
4. Drain valve : Not installed

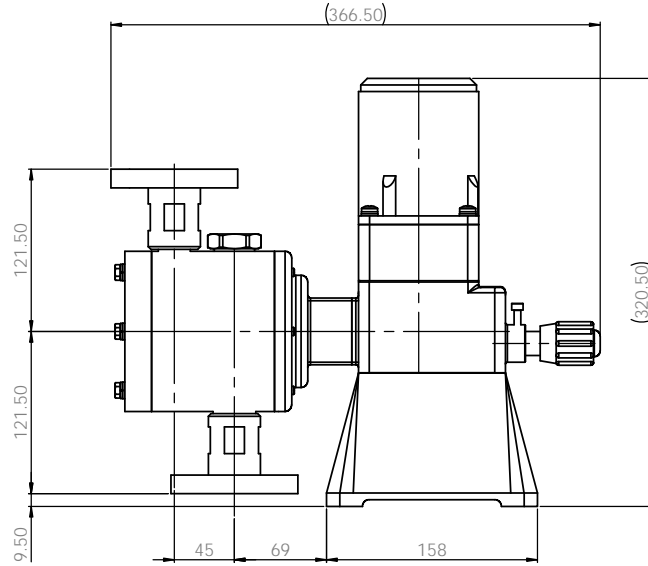
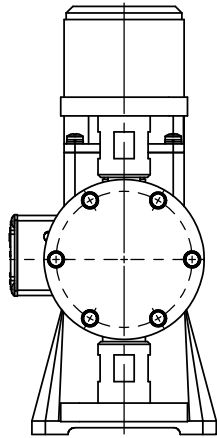
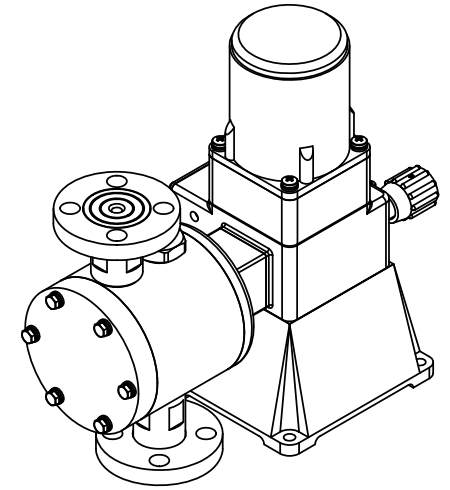
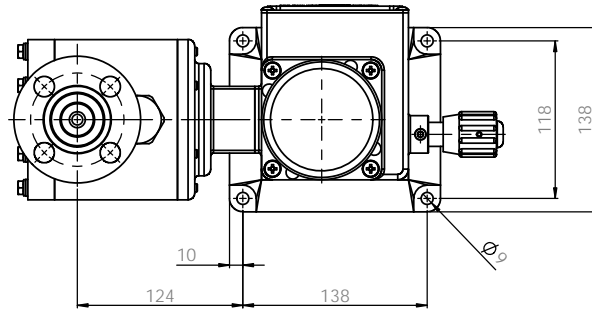
ALL DIMENSIONS SPECIFIED UNLESS OTHERWISE SPECIFIED DIMENSIONS ARE IN MILLIMETERS TOLERANCES: FINISH: ANGULAR		FINISH: BEZEL: SHARP EDGES:	DO NOT SCALE DRAWING REVISION:
DRAWN: W. PARK CHECK: W. PARK APPROV: S.C. KIM DATE: 2020.02.21 DATE: 2020.02.21 DATE: 2020.02.22	DESIGNED: W. PARK DATE: 2020.02.21	MATERIAL: PVC	EWS1000PCH-H10 A1
E-WHA CHEMICAL FEEDER CO., LTD.		SHEET NO.: A1000E1021A	SCALE: 1:1 SHEET 1 OF 1



Note

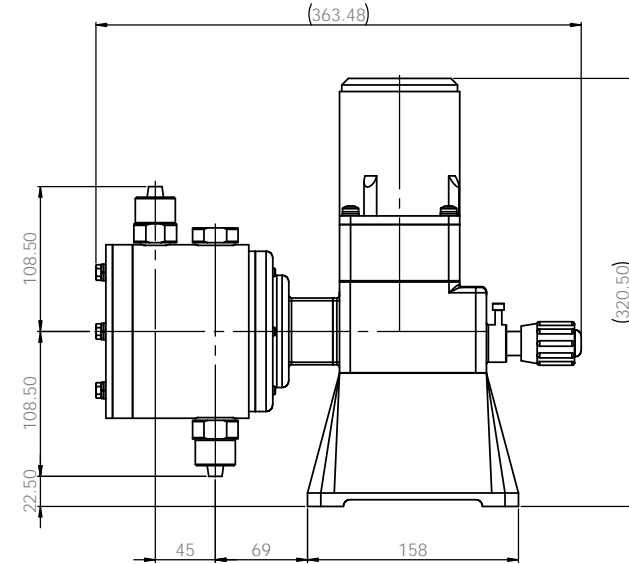
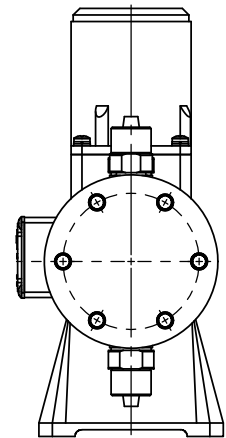
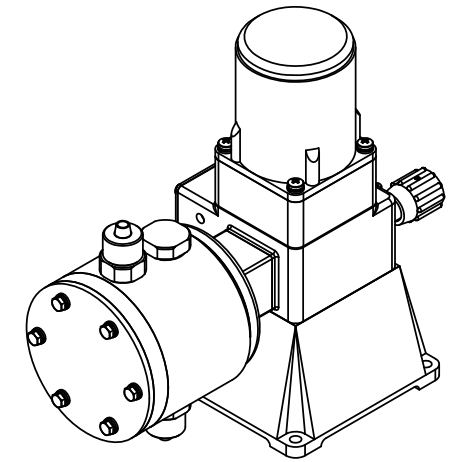
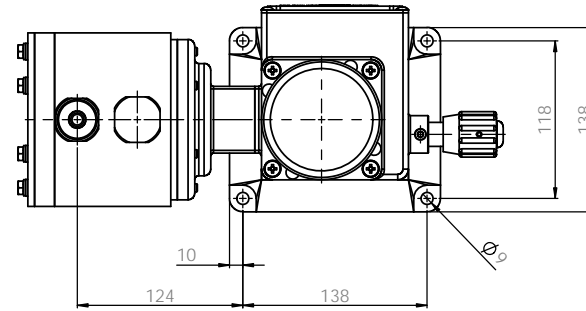
1. Model : EWS1000
2. Material : PP
3. Connection : Hose
4. Drain valve : Installed

ALL DIMENSIONS SPECIFIED UNLESS OTHERWISE SPECIFIED DIMENSIONS ARE IN MILLIMETERS TOLERANCES: FRACTIONS DECIMALS ANGULAR			FINISH BRASS AND BRASS SHARP POLISH	DO NOT SCALE DRAWING REVISION
DRAWN: W. PARK CHECK: W. PARK APPROV: S.C. KIM DATE: 2020.02.21 DATE: 2020.02.21 DATE: 2020.02.22			EWS1000 EWS1000PCHD-H10	E-WHA CHEMICAL FEEDER CO., LTD. PUMP ASSEMBLY-DIM EWS1000PCHD-H10 A1000E1022A
Dwg. No. A1000E1022A Material: PVC Scale: 1:1 Sheet: 1 of 1			EWS1000 EWS1000PCHD-H10	E-WHA CHEMICAL FEEDER CO., LTD. PUMP ASSEMBLY-DIM EWS1000PCHD-H10 A1000E1022A



Note
 1. Model : EWS1000
 2. Material : PP / PVDF
 3. Connection : Flange
 4. Drain valve : Not installed

ALL DIMENSIONS SPECIFIED UNLESS OTHERWISE SPECIFIED DIMENSIONS ARE IN MILLIMETERS TOLERANCES: FINISH: ANGULAR:			FINISH: BRASS GRAB POLISH	DO NOT SCALE DRAWING REVISION:
DRAWN: W. PARK CHECK: W. PARK APPROV: S.C. KIM DATE: 2020.02.21 DATE: 2020.02.21 DATE: 2020.02.21	DESIGNED: DRAWN: CHECKED: DATE:	TITLE: PUMP ASSEMBLY-DIM EWS1000PCF-KS 10K 15A FF	MATERIAL: PVC	SHEET NO: A1000E1023A
E-WHA CHEMICAL FEEDER CO., LTD.			SCALE: 1:1	SHEET 1 OF 1



Note

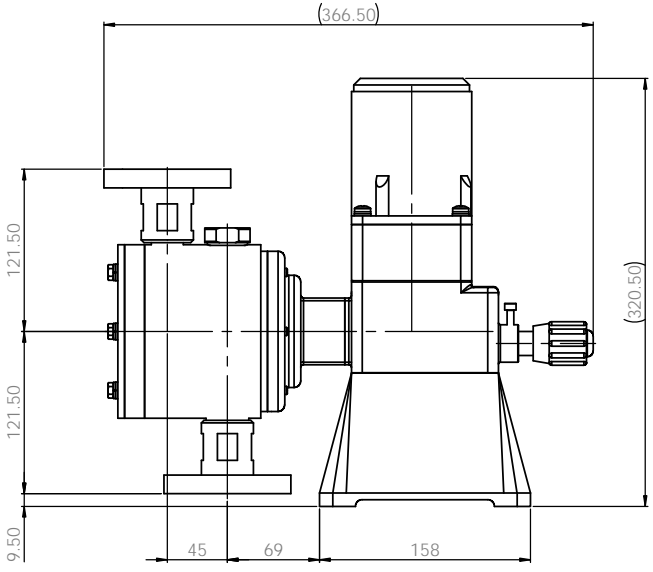
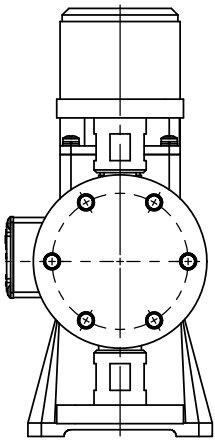
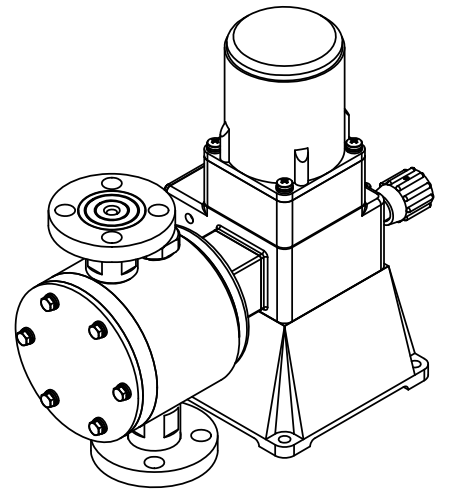
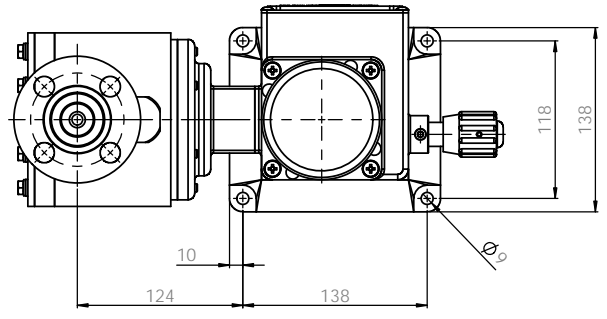
1. Model : EWS1000
2. Material : PTFE
3. Connection : Hose
4. Drain valve : N/A

REVISIONS			DATE		BY		CHECKED		APPROVED		MATERIAL		SCALE		SHEET	
01	W. PARK	2024.02.21										PTFE	A1004E1021A	A1	1	1
02	W. PARK	2024.02.21														
03	S.C. KIM	2024.02.22														

E-WHA CHEMICAL FEEDER CO., LTD.

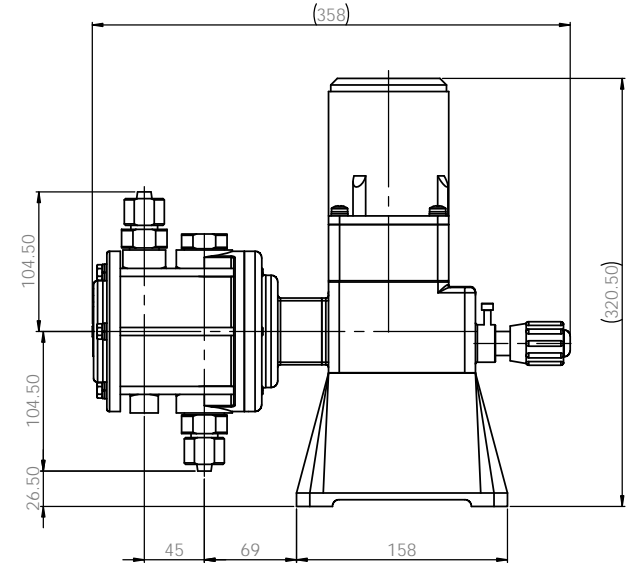
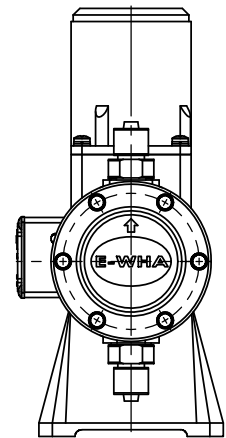
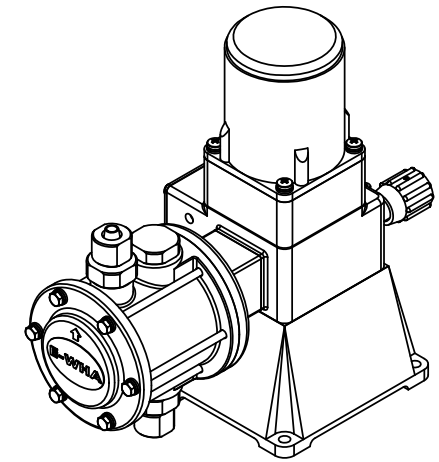
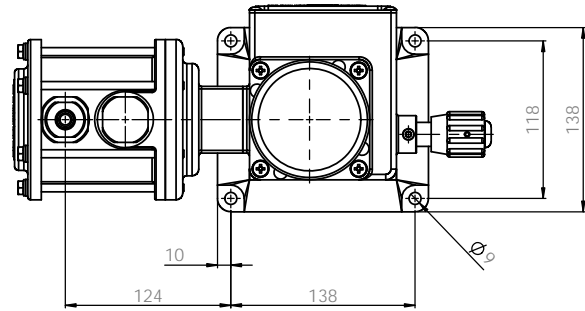
PUMP ASSEMBLY-DIM
EWS1000TCH-H10

A1004E1021A



Note
 1. Model : EWS1000
 2. Material : PTFE
 3. Connection : Flange
 4. Drain valve : N/A

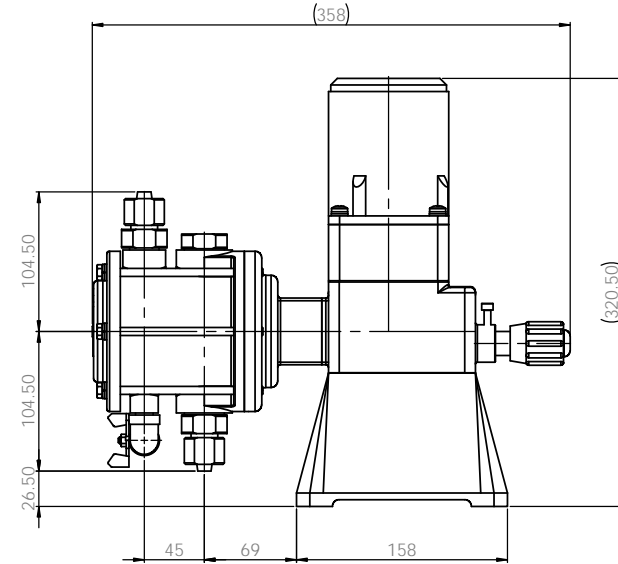
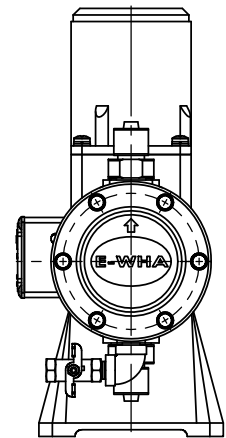
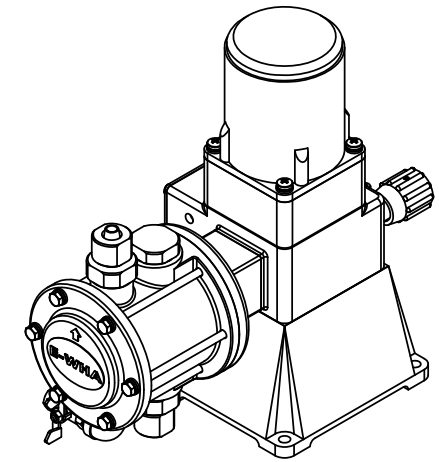
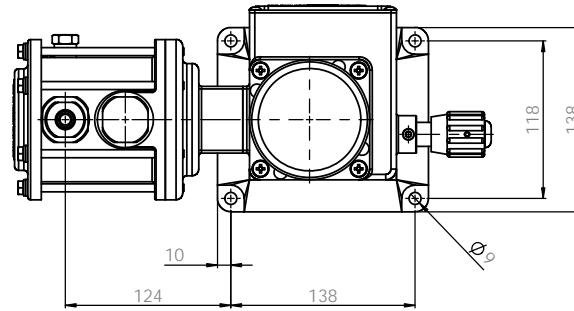
ALL DIMENSIONS SPECIFIED UNLESS OTHERWISE SPECIFIED DIMENSIONS ARE IN MILLIMETERS TOLERANCES: FINISH: ANGULAR:			FINISH: BRASS AND BRONZE SHARP EDGES	DO NOT SCALE DRAWING REVISION:
DRAWN: W. PARK DATE: 2020.02.21	CHECKED: W. PARK DATE: 2020.02.21	DESIGNED: S.C. KIM DATE: 2020.02.21	MATERIAL: PTFE	EWS1000 EWS1000TCF-KS 10K 15A FF A1004E1023A
SCALE: 1:1			SHEET NO.: A1	SHEET 1 OF 1



Note

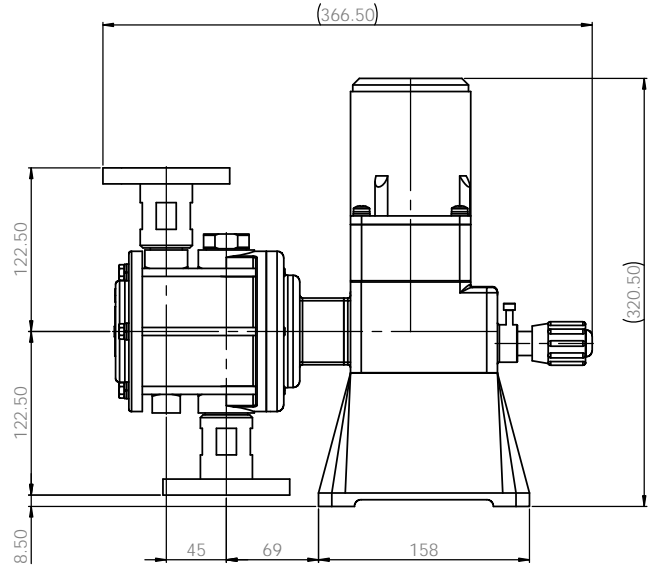
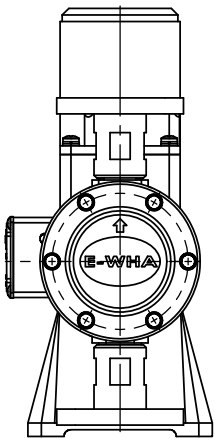
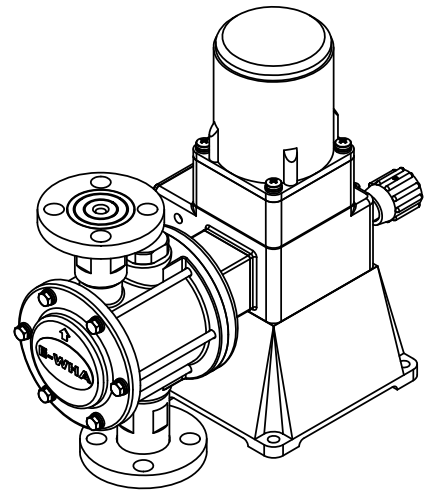
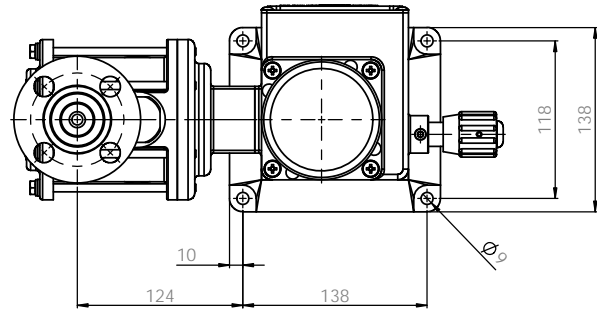
1. Model : EWS1000
2. Material : Stainless steel (Cast)
3. Connection : Hose
4. Drain valve : Not installed

ALL DIMENSIONS SPECIFIED UNLESS OTHERWISE SPECIFIED DIMENSIONS ARE IN MILLIMETERS TOLERANCES: FRACTIONS DECIMALS ANGULAR		FINISH BRASS AND BRASS SHARP EDGE	DO NOT SCALE DRAWING REVISION
DRAWN: W. PARK CHECK: W. PARK APPROV: S.C. KIM DATE: 2020.02.21 DATE: 2020.02.21 DATE: 2020.02.22	MODEL: EWS1000S4S4H-H10 DATE: 2020.02.21	MATERIAL: SUS304	E-WHA CHEMICAL FEEDER CO., LTD. PUMP ASSEMBLY-DIM EWS1000S4S4H-H10 SHEET NO. A1201E1021A SHEET 1 OF 1



Note
 1. Model : EWS1000
 2. Material : Stainless steel (Cast)
 3. Connection : Hose
 4. Drain valve : Installed

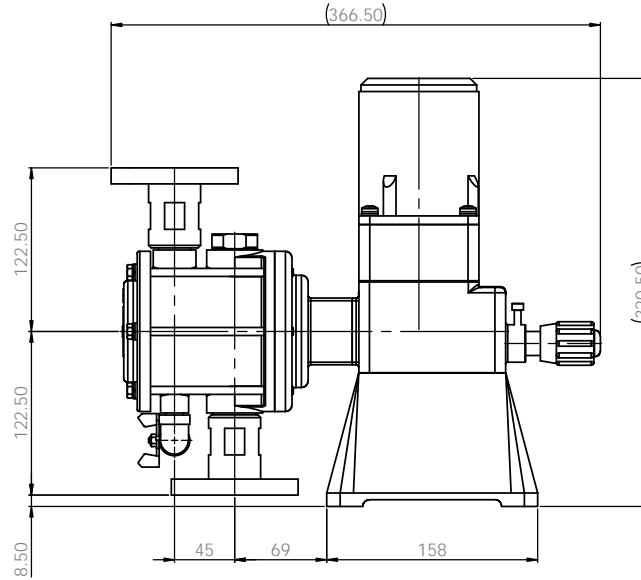
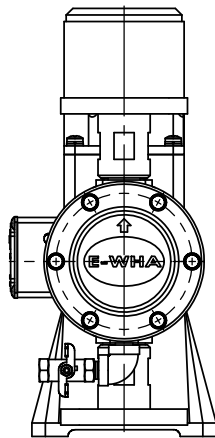
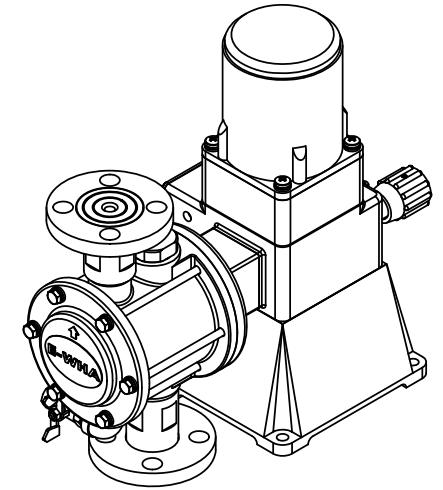
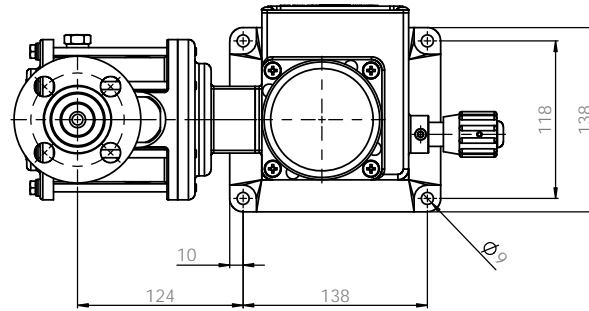
ALL DIMENSIONS SPECIFIED UNLESS OTHERWISE SPECIFIED DIMENSIONS ARE IN MILLIMETERS TOLERANCES: FRACTIONS DECIMALS ANGULAR			FINISH BRASS AND BRASS SHARP EDGE	DO NOT SCALE DRAWING REVISION
DRAWN W. PARK	CHECKED W. PARK	DATE 2020.02.21	DESIGNED S.C. KIM	MATERIAL SUS304
E-WHA CHEMICAL FEEDER CO., LTD. PUMP ASSEMBLY-DIM EWS1000S4S4HD-H10			DWG NO. A1201E1022A	A1
SCALE 1:1			SHEET 1 OF 1	REVISION



Note

1. Model : EWS1000
2. Material : Stainless steel (Cast)
3. Connection : Flange
4. Drain valve : Not installed

ALL DIMENSIONS SPECIFIED UNLESS OTHERWISE SPECIFIED DIMENSIONS ARE IN MILLIMETERS TOLERANCES: FINISH: ANGULAR:		FINISH: BRUSH BRUSH GRAB POLISH	DO NOT SCALE DRAWING REVISION:
DRAWN: W. PARK CHECK: W. PARK APPROV: S.C. KIM DATE: 2020.02.21 DATE: 2020.02.21 DATE: 2020.02.21	DESIGNED: W. PARK DATE: 2020.02.21	MATERIAL: SUS304	E-WHA CHEMICAL FEEDER CO., LTD. PUMP ASSEMBLY-DIM EWS1000S4S4F-KS 10K 15A FF SHEET NO. A1201E1023A SHEET 1 OF 1



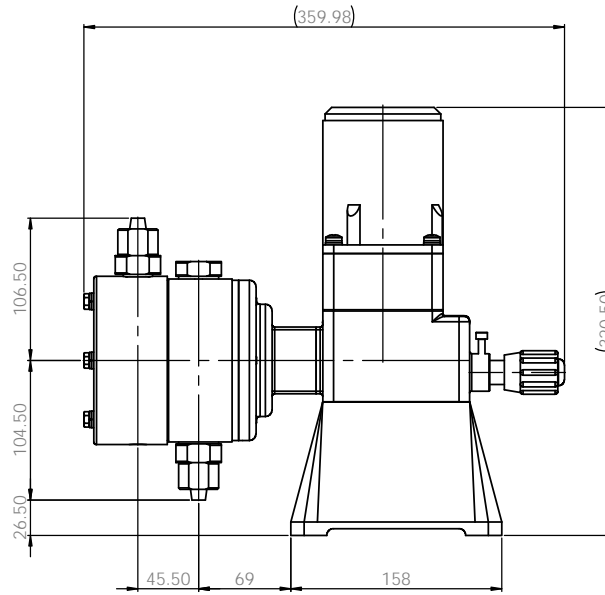
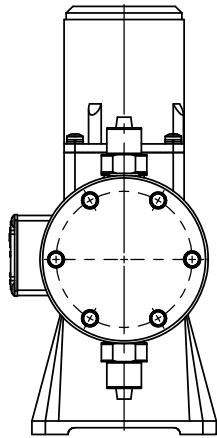
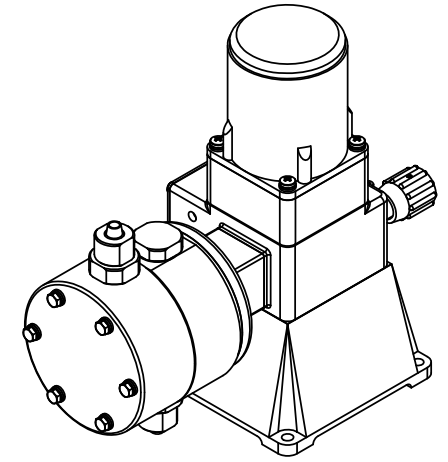
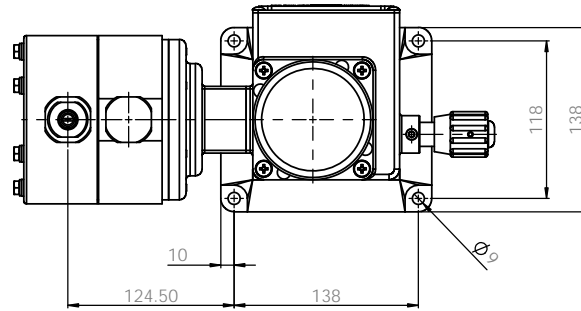
Note
 1. Model : EWS1000
 2. Material : Stainless steel (Cast)
 3. Connection : Flange
 4. Drain valve : Installed

ALL DIMENSIONS SPECIFIED UNLESS OTHERWISE SPECIFIED DIMENSIONS ARE IN MILLIMETERS TOLERANCES: FINISH: ANGULAR:			FINISH: BRUSH BRUSH GRAB POLISH	DO NOT SCALE DRAWING REVISION:
DRAWN: W. PARK CHECK: W. PARK APPROV: S.C. KIM DATE: 2020.02.21 DATE: 2020.02.21 DATE: 2020.02.21	DESIGNER: W. PARK DATE: 2020.02.21	MATERIAL: SUS304	DRAWING NO: A1201E1024A	SHEET NO. 1 OF 1

E-WHA CHEMICAL FEEDER CO., LTD.

PUMP ASSEMBLY-DIM
 EWS1000S4S4FD-KS 10K 15A FF

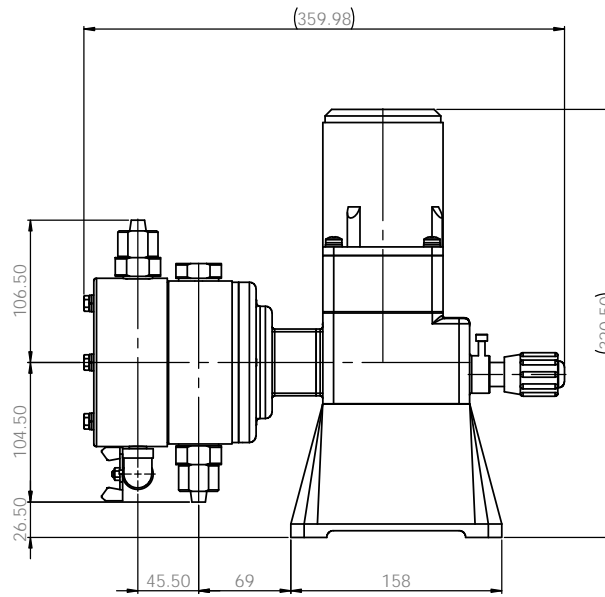
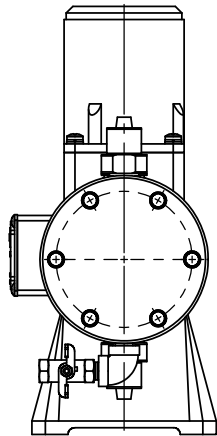
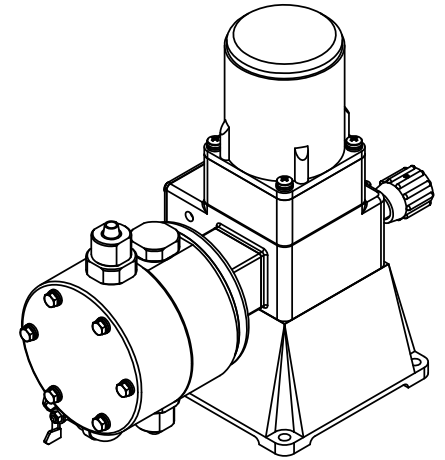
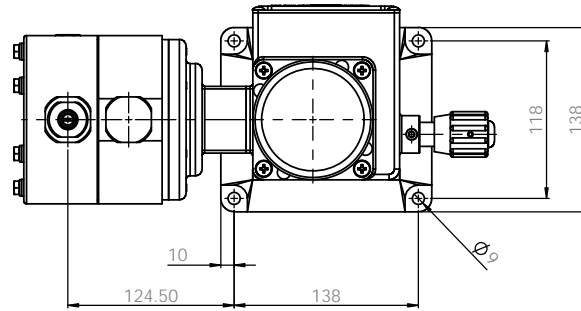
SCALE: 1:1



Note

1. Model : EWS1000
2. Material : Stainless steel
3. Connection : Hose
4. Drain valve : Not installed

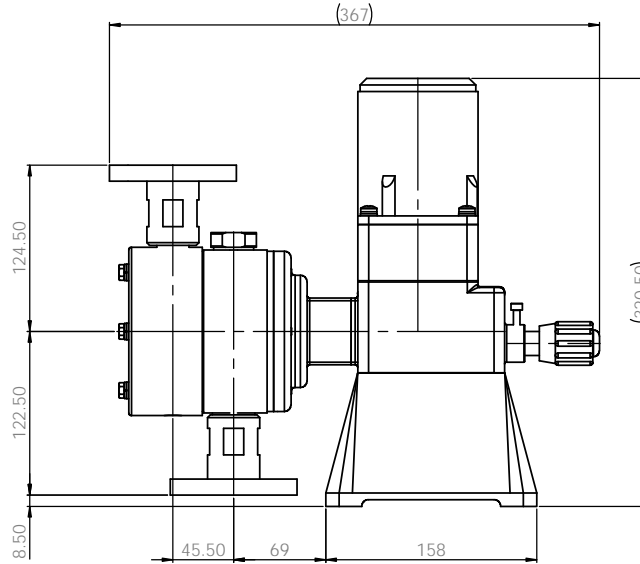
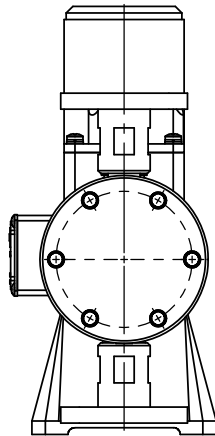
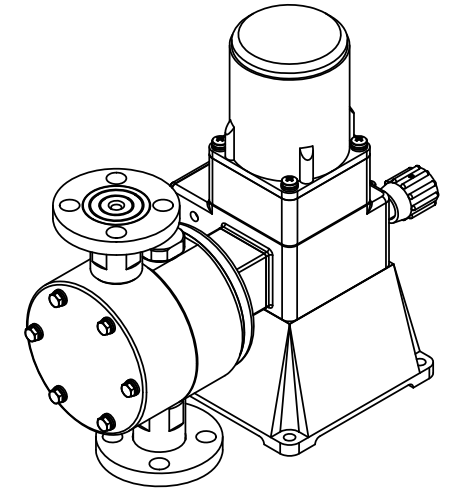
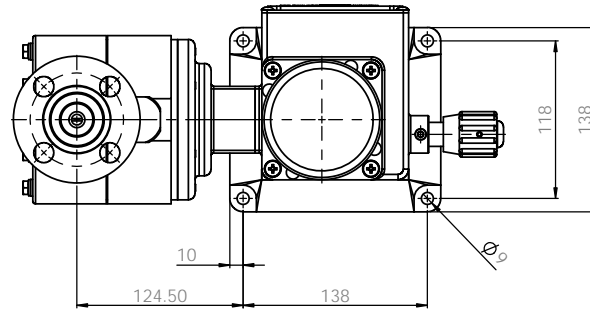
ALL DIMENSIONS SPECIFIED UNLESS OTHERWISE SPECIFIED DIMENSIONS ARE IN MILLIMETERS TOLERANCES: FRACTIONS DECIMALS ANGULAR			FINISH BRASS AND BRASS SHARP POLISH	DO NOT SCALE DRAWING REVISION
DRAWN W. PARK	CHECKED W. PARK	DATE 2020.02.21	DESIGNED S.C. KIM	MATERIAL SUS304
EWS1000S4S4H-H10			DIMENSION A1301E1021A	SHEET NO. A1
E-WHA CHEMICAL FEEDER CO., LTD.			SCALE 1:1	SHEET 1 OF 1



Note

1. Model : *EWS1000*
2. Material : *Stainless steel*
3. Connection : *Hose*
4. Drain valve : *Installed*

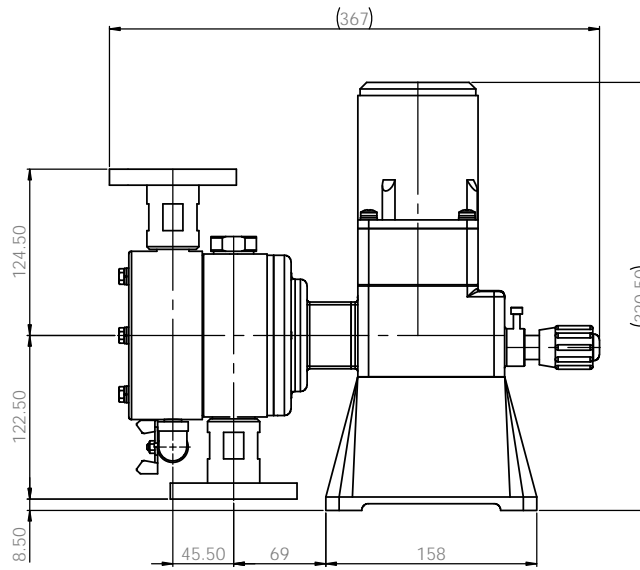
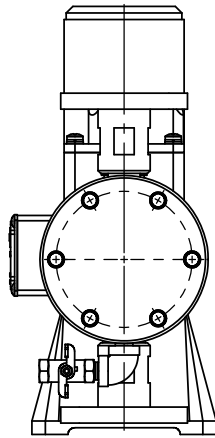
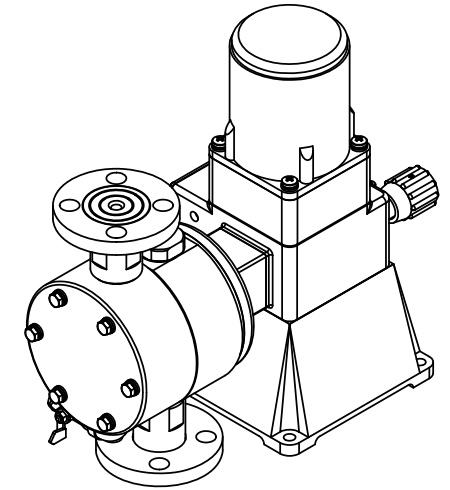
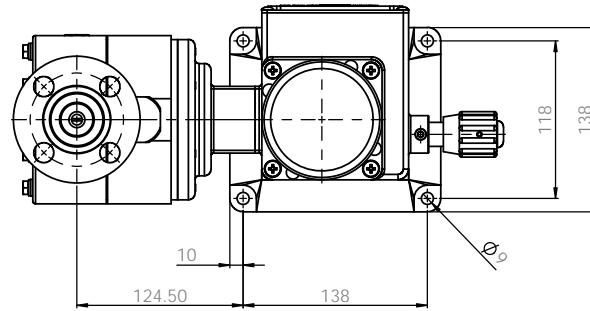
ALL DIMENSIONS SPECIFIED UNLESS OTHERWISE SPECIFIED DIMENSIONS ARE IN MILLIMETERS TOLERANCES: FINISH: ANGULAR:			FINISH: BRUSH BRUSH GRAB POLISH	DO NOT SCALE DRAWING REVISION:
MODEL: EWS1000 DRAWN: W. PARK CHECK: W. PARK APPROV: S.C. KIM DATE: 2020.02.21 2020.02.21 2020.02.22	REVISION:	TITLE: PUMP ASSEMBLY-DIM EWS1000S4S4HD-H10	MATERIAL: SUS304	DWG NO: A1301E1022A
E.W.A.			SCALE: 1:1	SHEET 1 OF 1



Note

1. Model : EWS1000
2. Material : Stainless steel
3. Connection : Flange
4. Drain valve : Not installed

ALL DIMENSIONS SPECIFIED UNLESS OTHERWISE SPECIFIED DIMENSIONS ARE IN MILLIMETERS TOLERANCES: FINISH: ANGULAR:			FINISH: BRUSH BRUSH GRASP POLISH	DO NOT SCALE DRAWING REVISION:
DRAWN: W. PARK CHECK: W. PARK APPROV: S.C. KIM DATE: 2020.02.21 DATE: 2020.02.21 DATE: 2020.02.21	DESIGNER: DATE: DATE:	MATERIAL: SUS304	DIMENSION: A1301E1023A	SHEET NO.: A1
E-WHA CHEMICAL FEEDER CO., LTD.			PUMP ASSEMBLY-DIM EWS1000S4S4F-KS 10K 15A FF	SCALE: 1:1 SHEET 1 OF 1



Note
 1. Model : EWS1000
 2. Material : Stainless steel
 3. Connection : Flange
 4. Drain valve : Installed

ALL DIMENSIONS SPECIFIED UNLESS OTHERWISE SPECIFIED DIMENSIONS ARE IN MILLIMETERS TOLERANCES: FINISH: ANGULAR			FINISH: BRASS AND BRASS SHARP EDGE	DO NOT SCALE DRAWING REVISION
DRAWN: W. PARK CHECK: W. PARK APPROV: S.C. KIM DATE: 2020.02.21 DATE: 2020.02.21 DATE: 2020.02.21			EWS1000S4S4FD-KS 10K 15A FF	E-WHA CHEMICAL FEEDER CO., LTD. PUMP ASSEMBLY-DIM EWS1000S4S4FD-KS 10K 15A FF
D/A:			MATERIAL: SUS304	DWG NO: A1301E1024A
DESIG:			SCALE: 1:1	SHEET 1 OF 1