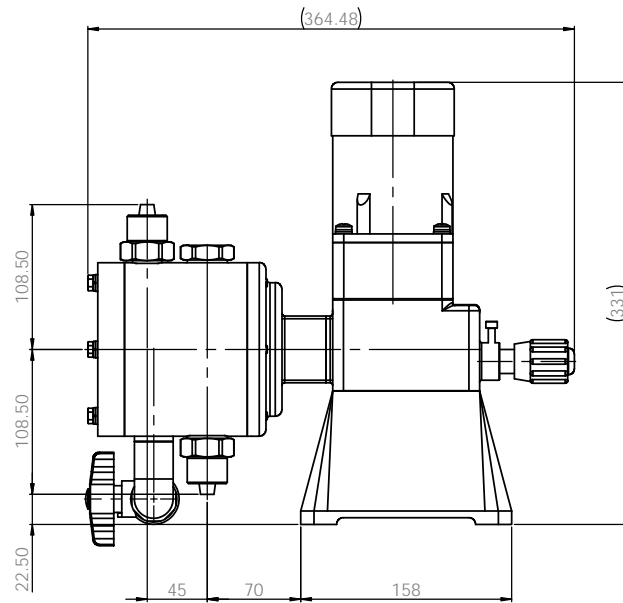
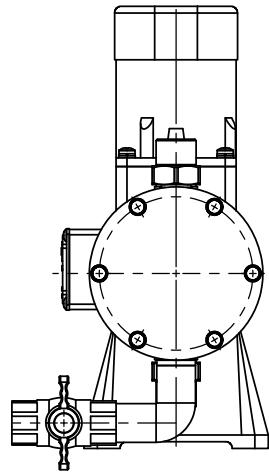
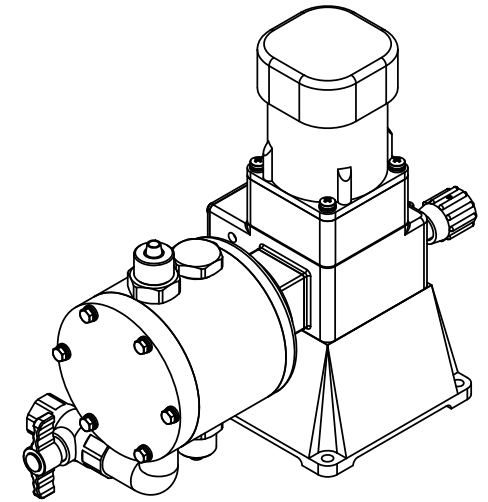
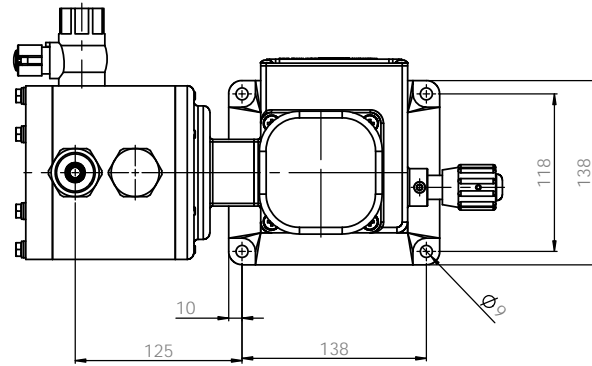


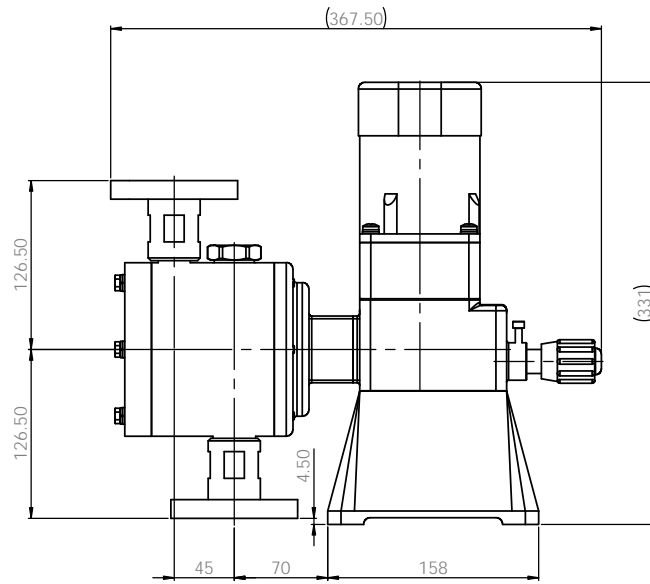
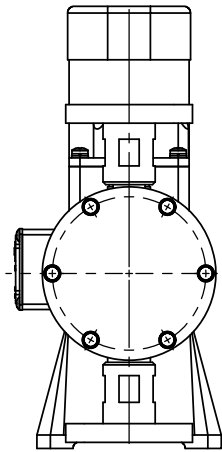
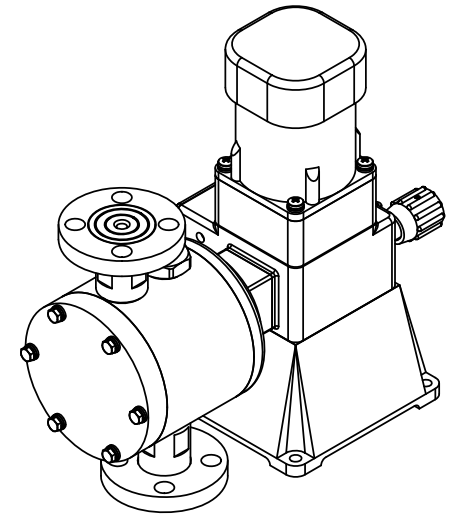
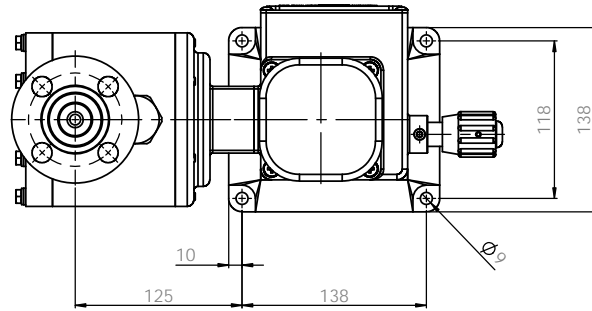
Note
 1. Model : *EWS2000*
 2. Material : *PP / PVDF*
 3. Connection : *Hose*
 4. Drain valve : *Not installed*

ALL DIMENSIONS SPECIFIED UNLESS OTHERWISE SPECIFIED DIMENSIONS ARE IN MILLIMETERS UNLESS INDICATED UNLESS OTHERWISE			DIMENSIONS IN MILLIMETERS UNLESS OTHERWISE		DO NOT SCALE DRAWING REVISION	
DRAWN: W. PARK CHECK: W. PARK APPROV: S.C. KIM DATE: 2020.02.21 DATE: 2020.02.21 DATE: 2020.02.21			EWS2000PCH-H10		E-WHA CHEMICAL FEEDER CO., LTD.	
Dwg. No. A1000E1025A			Material: PVC		Scale: 1:1	



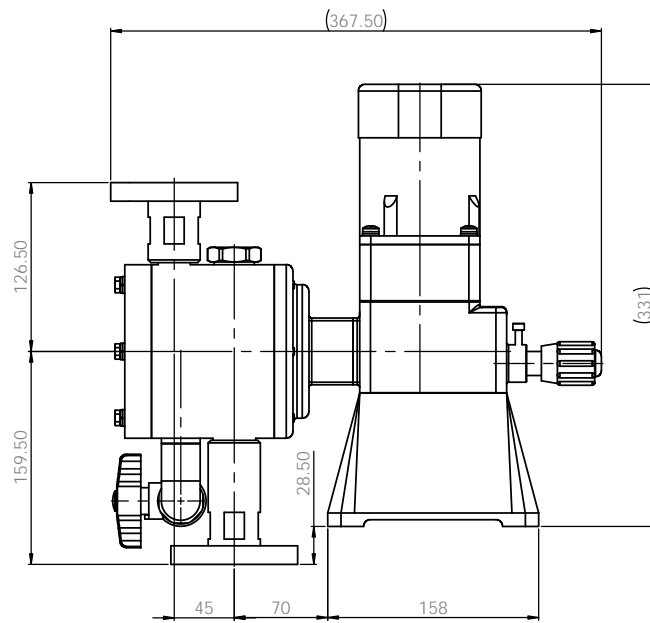
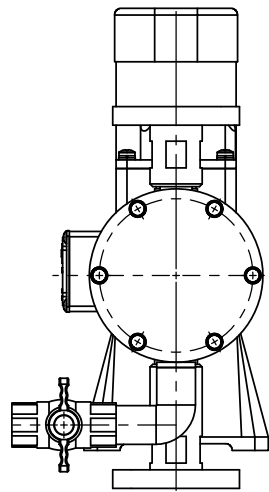
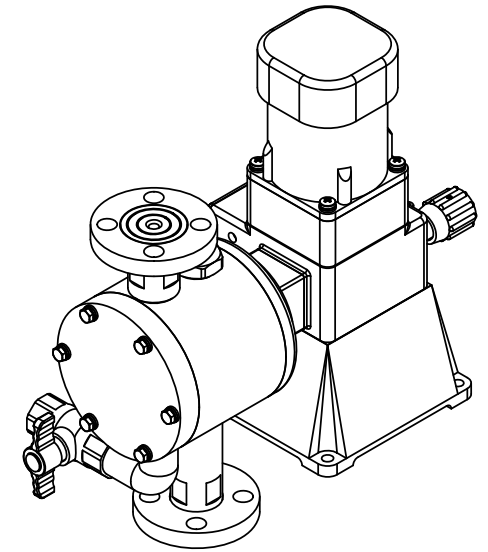
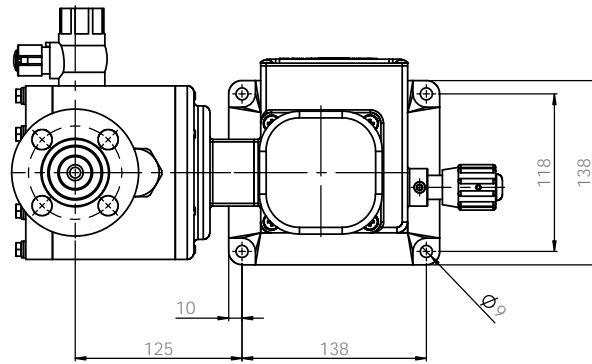
Note
 1. Model : EWS2000
 2. Material : PP
 3. Connection : Hose
 4. Drain valve : Installed

ALL DIMENSIONS SPECIFIED UNLESS OTHERWISE SPECIFIED DIMENSIONS ARE IN MILLIMETERS TOLERANCES FINISH ANGULAR			FINISH	EDGE AND BREAK SHARP EXCEPT	DO NOT SCALE DRAWING	REVISION
DRAWN : W. PARK CHECKED : W. PARK APPROVED : S.C. KIM DATE : 2020.02.21 DATE : 2020.02.21 DATE : 2020.02.21			TITLE PUMP ASSEMBLY-DIM EWS2000PCHD-H10	PROJECT NO. A1000E1026A	SHEET NO. A1	E-WHA CHEMICAL FEEDER CO., LTD.
Dwg. No. : A1000E1026A			Material : PVC	Scale : 1:1	Date : 2020.02.21	Sheet : 1 of 1



Note
 1. Model : EWS2000
 2. Material : PP / PVDF
 3. Connection : Flange
 4. Drain valve : Not installed

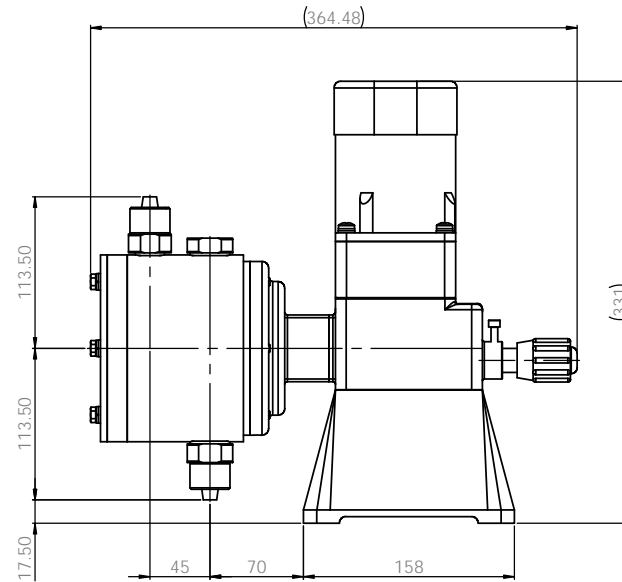
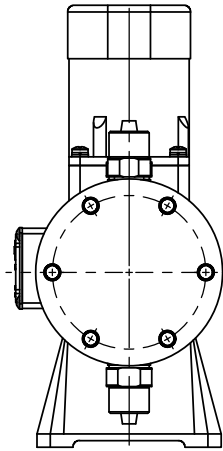
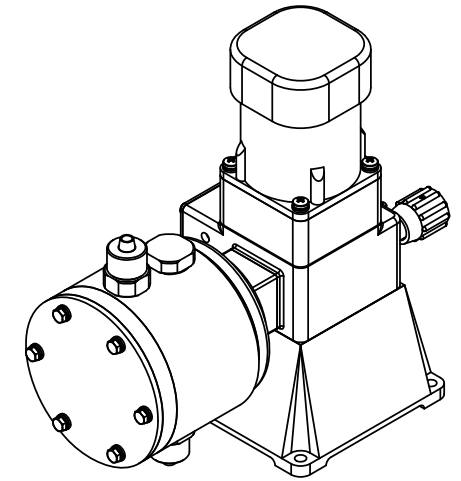
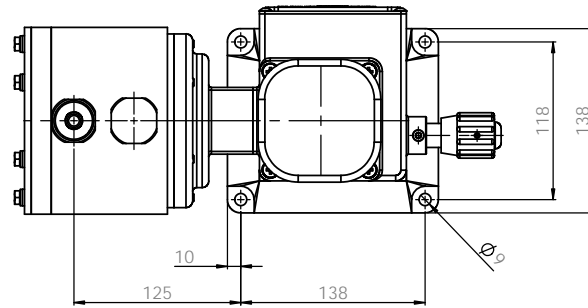
ALL DIMENSIONS SPECIFIED UNLESS OTHERWISE SPECIFIED DIMENSIONS ARE IN MILLIMETERS TOLERANCES: FINISH: ANGULAR			FINISH: BEZEL SHARP EDGE	DO NOT SCALE DRAWING REVISION
DRAWN: W. PARK CHECK: W. PARK APPROV: S.C. KIM DATE: 2020.02.21 DATE: 2020.02.21 DATE: 2020.02.21	DESIGNED: W. PARK DATE: 2020.02.21	MATERIAL: PVC	EWS2000E1027A	E-WHA CHEMICAL FEEDER CO., LTD. PUMP ASSEMBLY-DIM EWS2000PCF-KS 10K 15A FF A1
SCALE: 1:1			SHEET: 1 OF 1	DRAWING NO.



Note

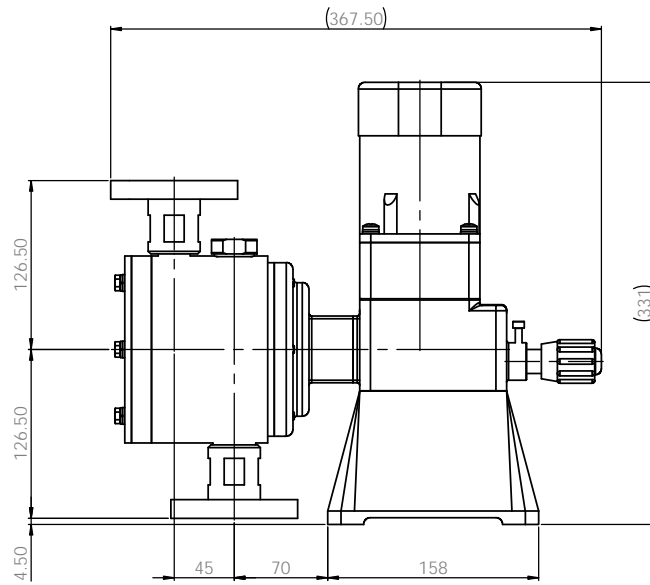
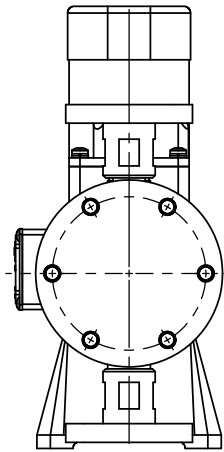
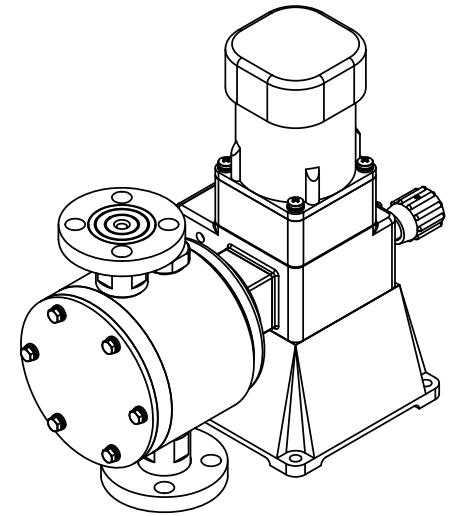
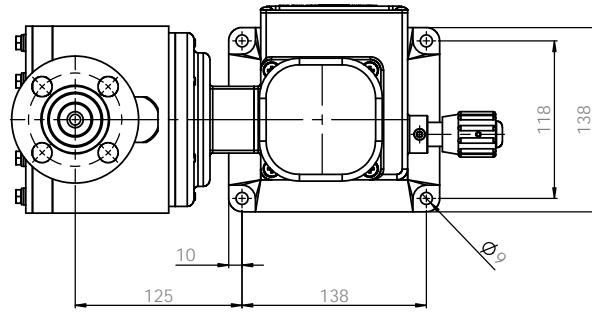
1. Model : EWS2000
2. Material : PP
3. Connection : Flange
4. Drain valve : Installed

ALL DIMENSIONS SPECIFIED UNLESS OTHERWISE SPECIFIED DIMENSIONS ARE IN MILLIMETERS TOLERANCES: FINISH: ANGULAR			FINISH: BRASS SHARP DOTTED	DO NOT SCALE DRAWING REVISION
DRAWN: W. PARK CHECK: W. PARK APPROV: S.C. KIM DATE: 2020.02.21 DATE: 2020.02.21 DATE: 2020.02.21	DESIGNED: S.C. KIM DATE: 2020.02.21	MATERIAL: PVC	PART NO: A1000E1028A	SHEET 1 OF 1



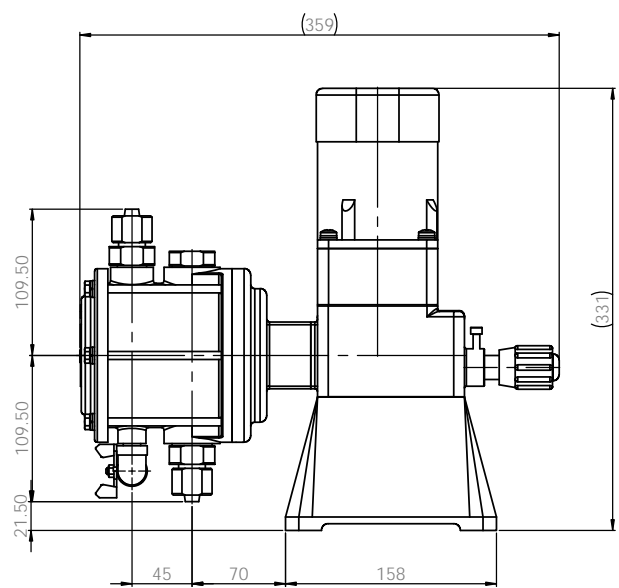
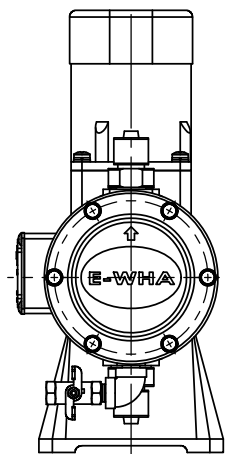
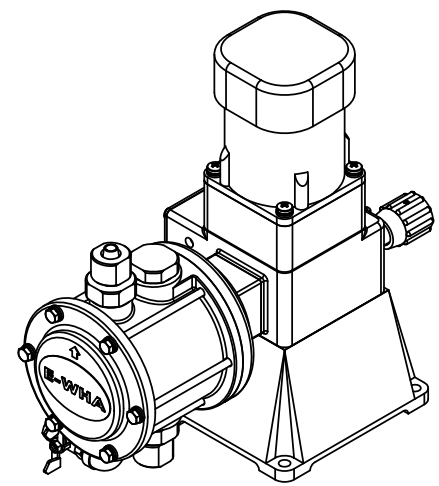
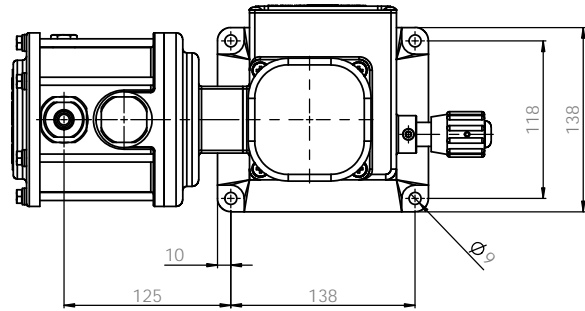
Note
 1. Model : EWS2000
 2. Material : PTFE
 3. Connection : Hose
 4. Drain valve : N/A

ALL DIMENSIONS SPECIFIED UNLESS OTHERWISE SPECIFIED DIMENSIONS ARE IN MILLIMETERS UNLESS INDICATED OTHERWISE		FINISH		EDGE AND BREAK SHARP ENDS		DO NOT SCALE DRAWING		REVISION	
DRAWN: W. PARK		CHECKED: W. PARK		DATE: 2020.02.21		MATERIAL: PTFE		E-WHA CHEMICAL FEEDER CO., LTD.	
APPROVED: S.C. KIM		DATE: 2020.02.21		DRAWING NO: A1004E1025A		SCALE: 1:1		SHEET 1 OF 1	



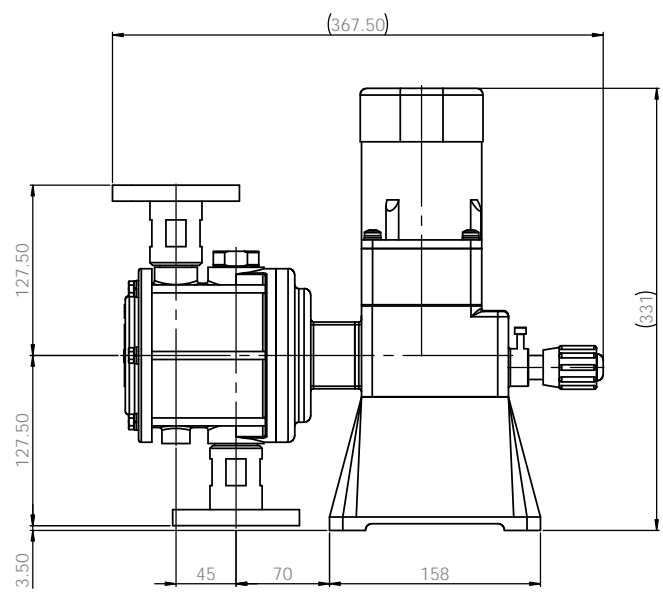
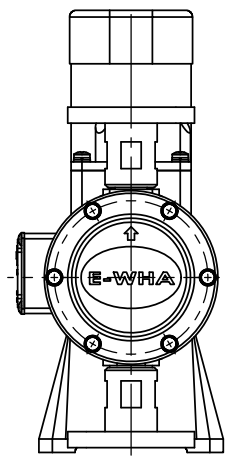
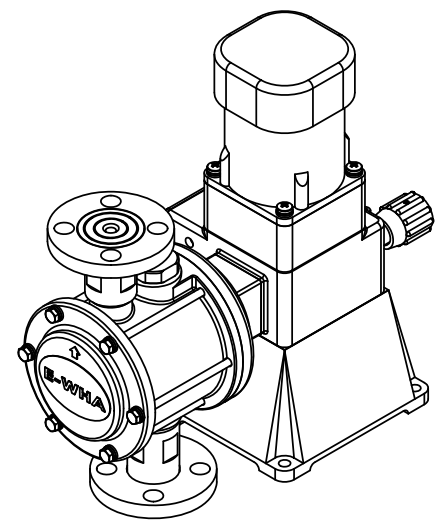
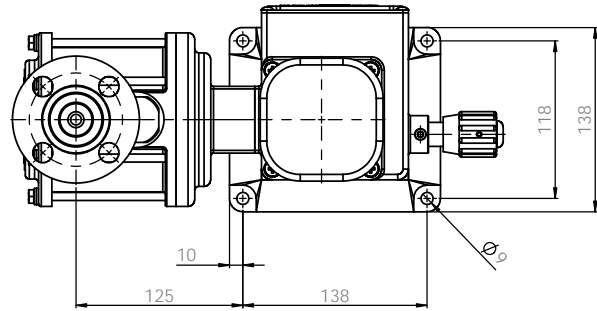
Note
 1. Model : EWS2000
 2. Material : PTFE
 3. Connection : Flange
 4. Drain valve : N/A

REVISIONS				DATE		BY		CHECKED		APPROVED		MATERIAL		DRAWING NO.		SHEET NO.	
01	W. PARK	2024.02.21															
02	W. PARK	2024.02.21															
03	S.C. KIM	2024.02.22															
PUMP ASSEMBLY-DIM EWS2000TCF-KS 10K 15A FF												PTFE		A1004E1027A		A1	



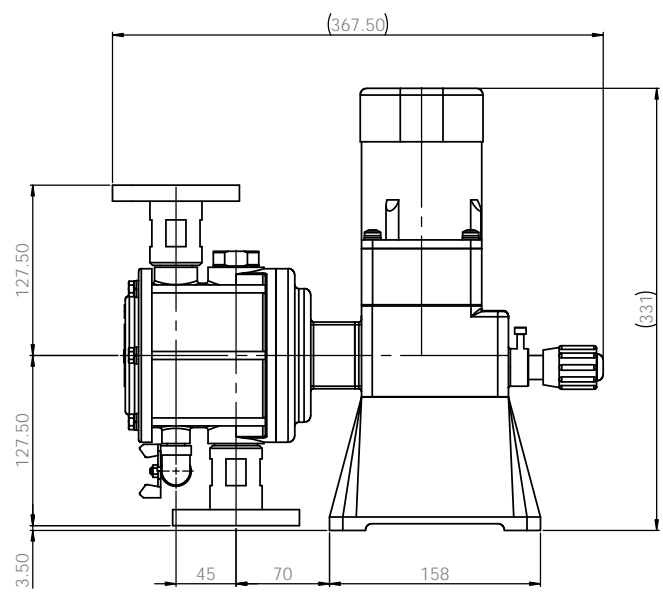
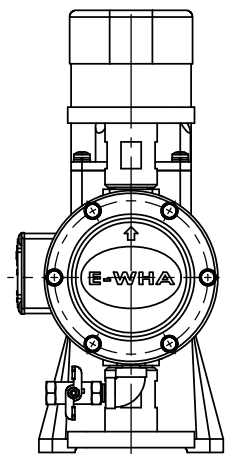
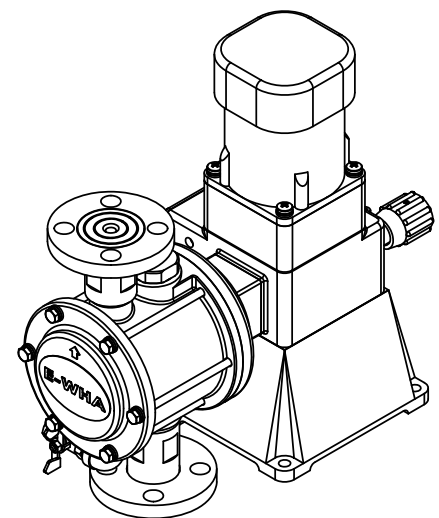
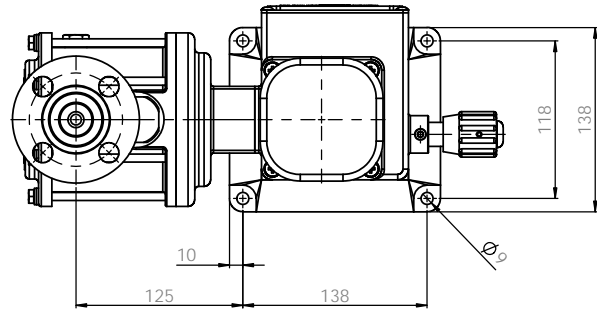
Note
 1. Model : EWS2000
 2. Material : Stainless steel (Cast)
 3. Connection : Hose
 4. Drain valve : Installed

ALL DIMENSIONS SPECIFIED UNLESS OTHERWISE SPECIFIED DIMENSIONS ARE IN MILLIMETERS TOLERANCES: FINISH: ANGULAR			EWSH	FINISH AND BEVEL SHARP EDGES	DO NOT SCALE DRAWING	REVISION
DATE: 2020.02.22 DRAWN: W. PARK CHECK: W. PARK APPROV: S.C. KIM DES:			DESIGN/ISS:	DATE:	E-WHA CHEMICAL FEEDER CO., LTD.	REV:
MATERIAL: SUS304			DRAWING NO: A1201E1026A	SHEET NO: A1	PUMP ASSEMBLY-DIM EWS2000S4S4HD-H10	
SCALE: 1:1			SHEET: 1 OF 1	REVISION:	SHEET: 1 OF 1	



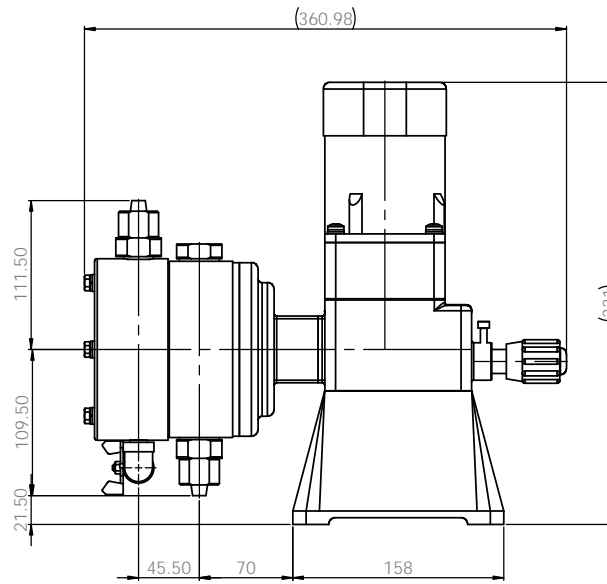
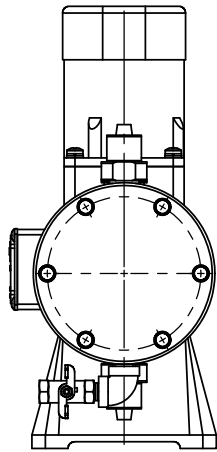
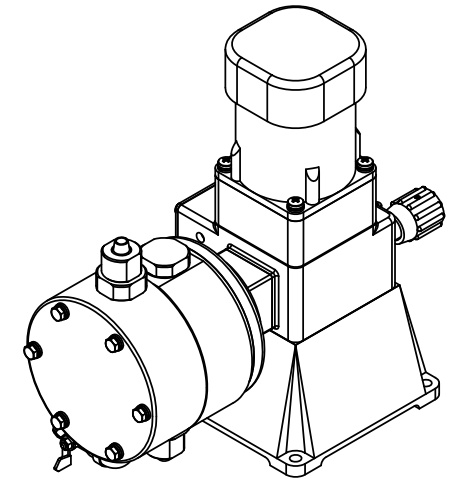
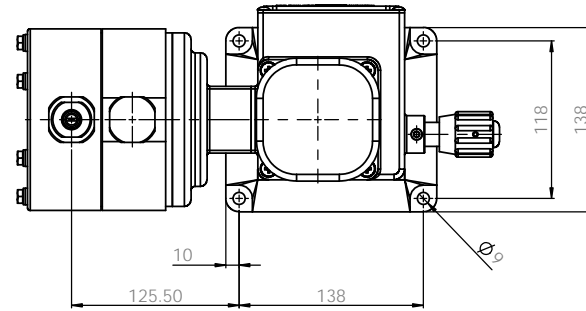
Note
 1. Model : EWS2000
 2. Material : Stainless steel (Cast)
 3. Connection : Flange
 4. Drain valve : Not installed

<small>ALL DIMENSIONS SPECIFIED UNLESS OTHERWISE SPECIFIED DIMENSIONS ARE IN MILLIMETERS UNLESS INDICATED OTHERWISE</small>				<small>DO NOT SCALE DRAWING</small>		<small>REVISION</small>
<small>DATE: 2020.02.21</small>				<small>SCALE: 1:1</small>		<small>E-WHA CHEMICAL FEEDER CO., LTD.</small>
<small>NO.</small> <small>DATE</small>	<small>BY</small> <small>DATE</small>	<small>CHKD</small> <small>DATE</small>	<small>APPVD</small> <small>DATE</small>	<small>MATERIAL</small> SUS304	<small>DWG. NO.</small> A1201E1027A	<small>SHEET</small> 1 OF 1
<small>DRWNR</small> W. PARK	<small>DESIGNER</small> W. PARK	<small>DATE</small> 2020.02.21	<small>DATE</small> 2020.02.21	<small>SCALE</small> 1:1	<small>MODEL</small> A1201E1027A	<small>SCALE</small> 1:1
<small>CHKD</small> W. PARK	<small>DATE</small> 2020.02.21	<small>APPVD</small> S.C. KIM	<small>DATE</small> 2020.02.21	<small>MATERIAL</small> SUS304	<small>DWG. NO.</small> A1201E1027A	<small>SHEET</small> 1 OF 1
<small>APPVD</small> S.C. KIM	<small>DATE</small> 2020.02.21	<small>MATERIAL</small> SUS304	<small>DWG. NO.</small> A1201E1027A	<small>SCALE</small> 1:1	<small>SHEET</small> 1 OF 1	



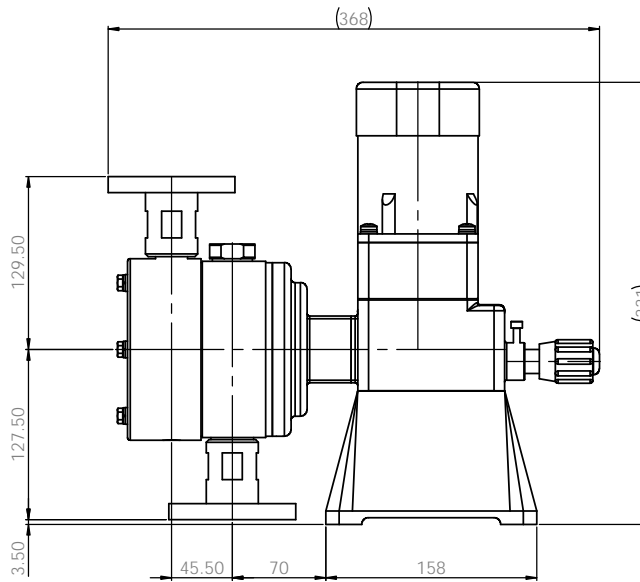
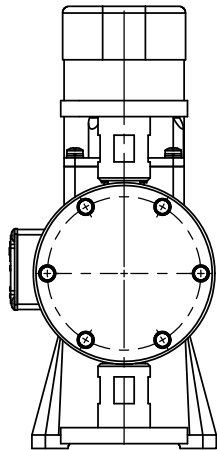
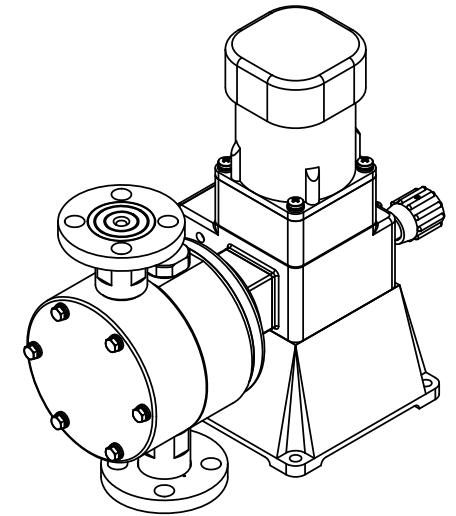
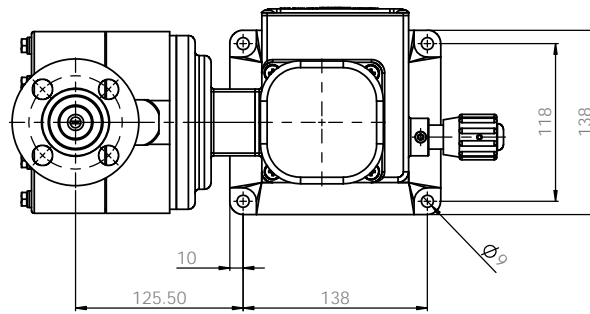
Note
 1. Model : EWS2000
 2. Material : Stainless steel (Cast)
 3. Connection : Flange
 4. Drain valve : Installed

ALL DIMENSIONS SPECIFIED UNLESS OTHERWISE SPECIFIED DIMENSIONS ARE IN MILLIMETERS TOLERANCES: FINISH: ANGULAR			DIMENSIONS BREAK SHARP EDGES			DO NOT SCALE DRAWING REVISION	
DATE	BY	CHKD	DATE	BY	CHKD	E-WHA CHEMICAL FEEDER CO., LTD.	
2020.02.21	W. PARK	2020.02.21				PUMP ASSEMBLY-DIM EWS2000S4S4FD-KS 10K 15A FF	
2020.02.21	W. PARK	2020.02.21				DWG NO. A1201E1028A	
2020.02.21	S.C. KIM	2020.02.21				SCALE 1:1 SHEET 1 OF 1	
MATERIAL: SUS304						DWG NO. A1201E1028A	



Note
 1. Model : EWS2000
 2. Material : Stainless steel
 3. Connection : Hose
 4. Drain valve : Installed

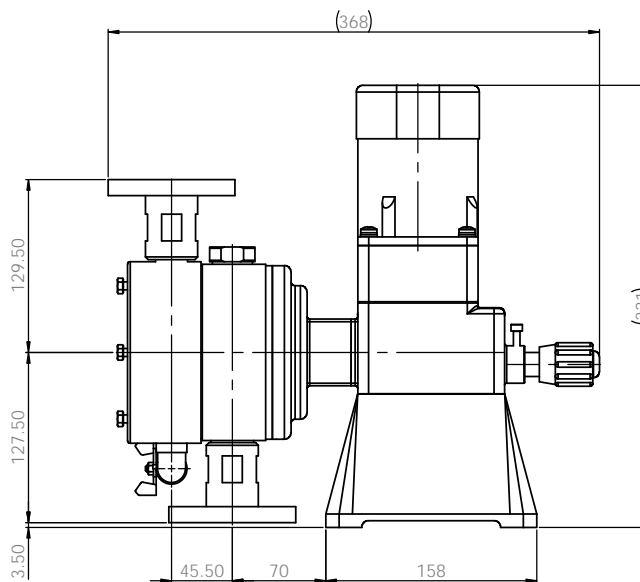
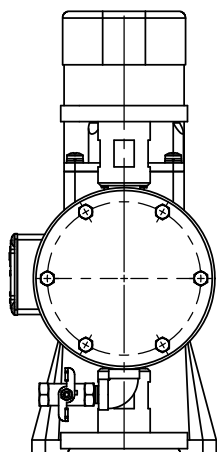
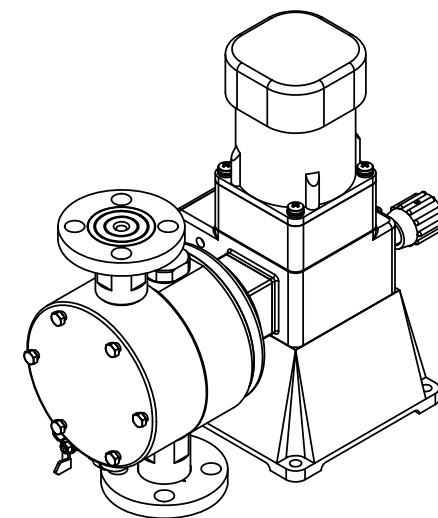
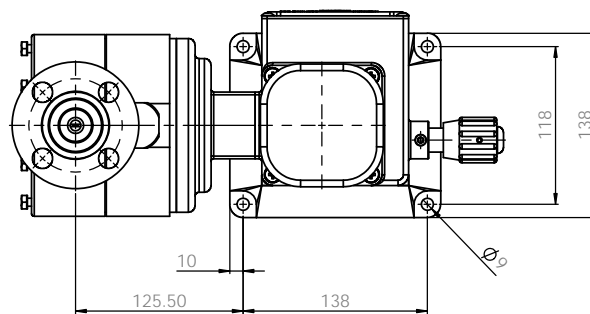
ALL DIMENSIONS SPECIFIED UNLESS OTHERWISE SPECIFIED DIMENSIONS ARE IN MILLIMETERS TOLERANCES: FINISH: ANGULAR:			FINISH: BRUSH BRUSH GRAB POLISH	DO NOT SCALE DRAWING REVISION:
DRAWN: W. PARK CHECK: W. PARK APPROV: S.C. KIM DATE: 2020.02.21 DATE: 2020.02.21 DATE: 2020.02.22	DESIGNER: W. PARK DATE: 2020.02.21	MATERIAL: SUS304	DWG NO: A1301E1026A	SHEET 1 OF 1
E-WHA CHEMICAL FEEDER CO., LTD. PUMP ASSEMBLY-DIM EWS2000S4S4HD-H10			A1	SCALE: 1:1



Note

1. Model : EWS2000
2. Material : Stainless steel
3. Connection : Flange
4. Drain valve : Not installed

ALL DIMENSIONS SPECIFIED UNLESS OTHERWISE SPECIFIED DIMENSIONS ARE IN MILLIMETERS TOLERANCES: FINISH: ANGULAR			FINISH: BRUSH BREAK SHARP EDGES			DO NOT SCALE DRAWING REVISION	
DRAWN: W. PARK CHECK: W. PARK APPROV: S.C. KIM DATE: 2020.02.21 DATE: 2020.02.21 DATE: 2020.02.21	DESIGNED: DRAWN: CHECKED: DATE:	DATE:	MATERIAL: SUS304	DIMENSION: A1301E1027A	SHEET NO. 1 OF 1	E-WHA CHEMICAL FEEDER CO., LTD. PUMP ASSEMBLY-DIM EWS2000S4S4F-KS 10K 15A FF	



Note

1. Model : EWS2000
2. Material : Stainless steel
3. Connection : Flange
4. Drain valve : Installed

ALL DIMENSIONS SPECIFIED UNLESS OTHERWISE SPECIFIED DIMENSIONS ARE IN MILLIMETERS TOLERANCES: FRACTIONS DECIMALS ANGULAR			FINISH BRASS AND BRASS SHARP POLISH	DO NOT SCALE DRAWING REVISION
DRAWN W. PARK	CHECKED W. PARK	DATE 2020.02.21	DESIGNED S.C. KIM	EWS2000S4S4FD-KS 10K 15A FF
MATERIAL SUS304			DWG NO. A1301E1028A	SHEET 1 OF 1