

Note

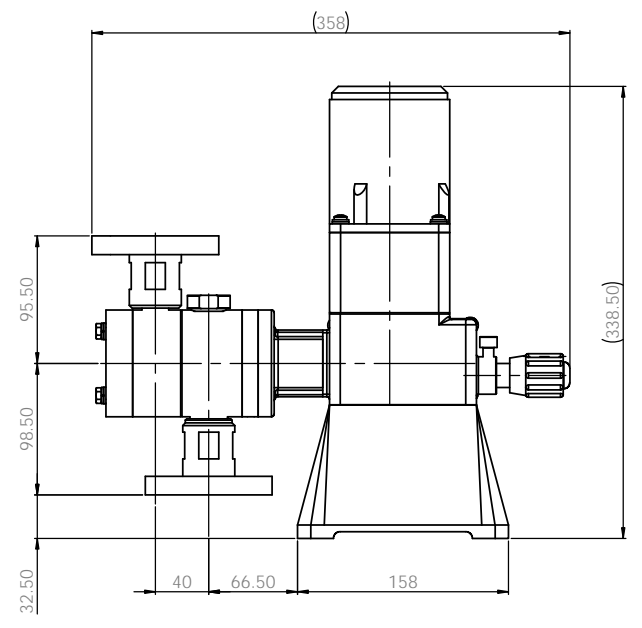
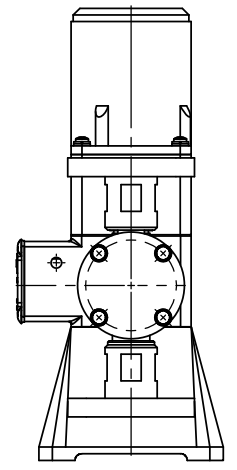
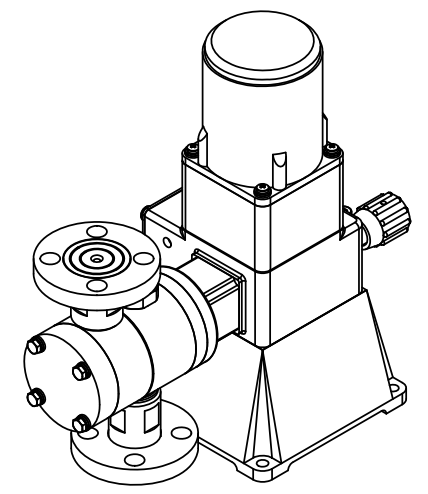
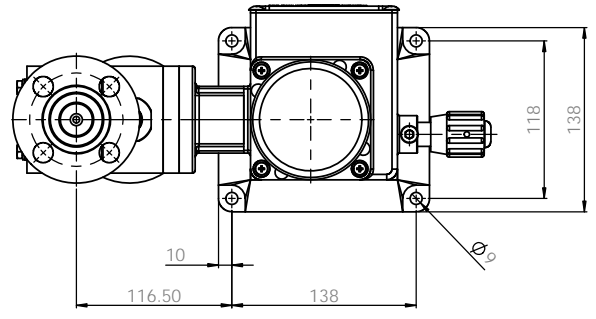
1. Model : EWS25
2. Material : PP
2. Connection : Hose
3. Drain valve : Installed

REVISIONS			DATE		BY		CHECKED		APPROVED		MATERIAL		SCALE		SHEET	
1	W. PARK	2010.12.10										PVC	A1000E1002A	1:1	1	1
2	W. PARK	2010.12.10														
3	S.C. KIM	2010.12.10														
4																

E-WHA CHEMICAL FEEDER CO., LTD.

PUMP ASSEMBLY-DIM
EWS25PCHD-H06

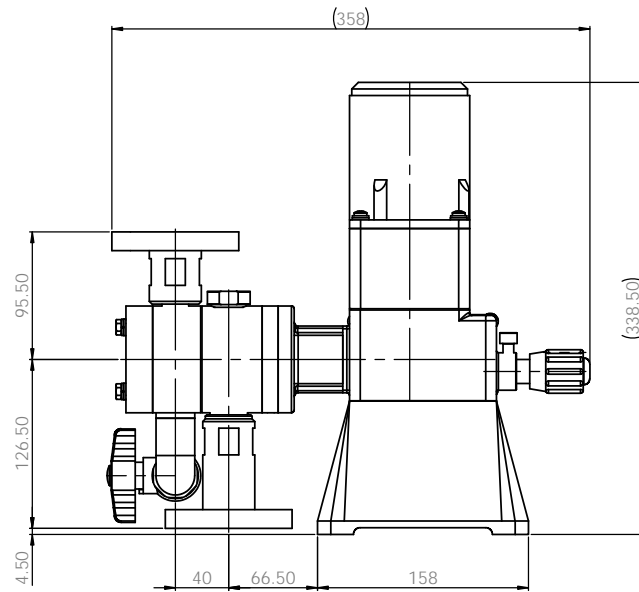
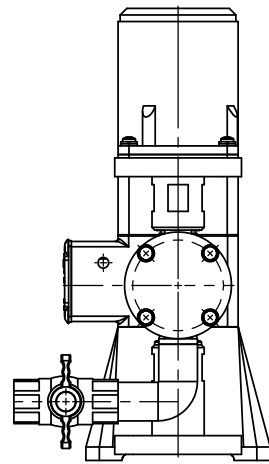
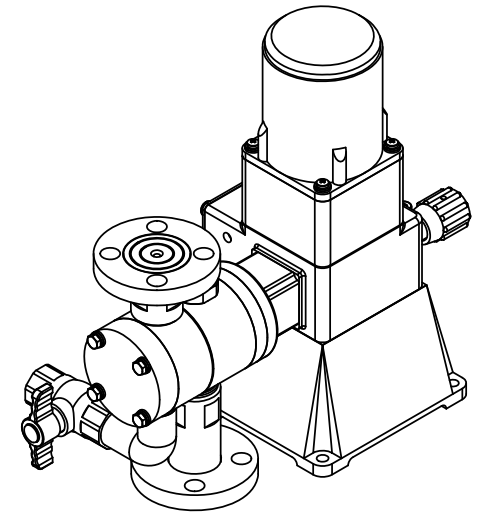
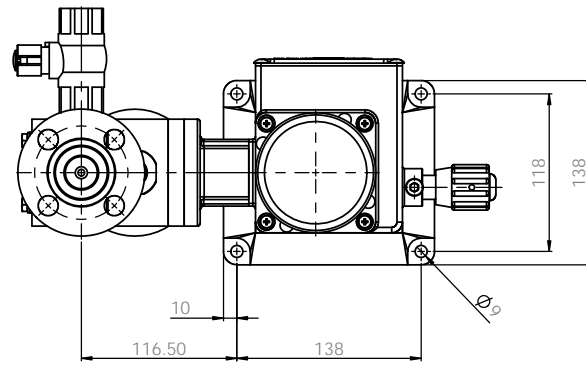
A1



Note

1. Model : EWS25
2. Material : PP / PVDF
3. Connection : Flange
4. Drain valve : Not installed

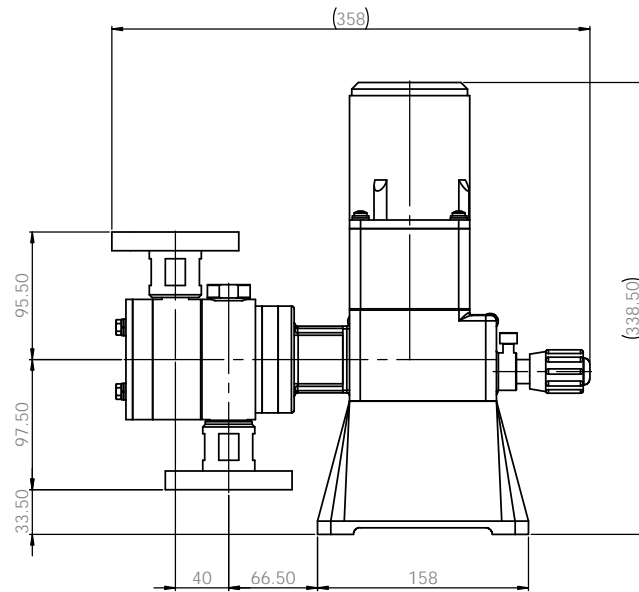
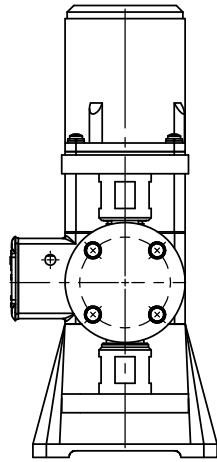
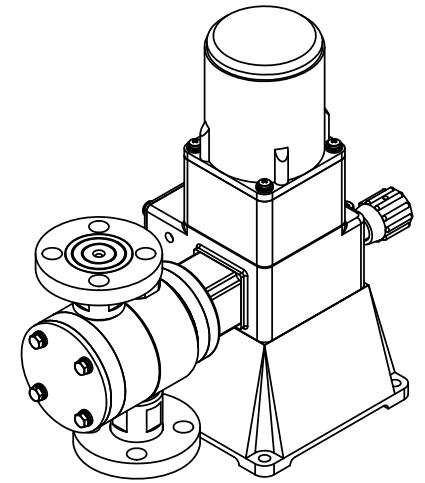
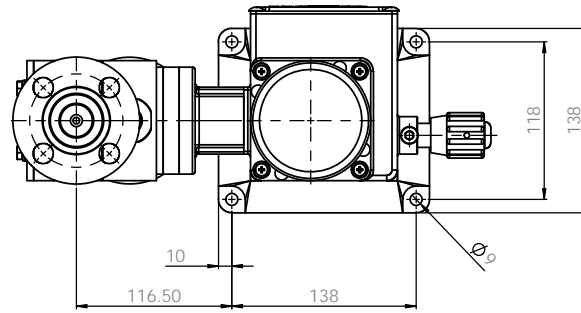
ALL DIMENSIONS SPECIFIED UNLESS OTHERWISE SPECIFIED DIMENSIONS ARE IN MILLIMETERS TOLERANCES: FINISH: ANGULAR			FINISH: BEZEL: SHARP EDGES:	DO NOT SCALE DRAWING REVISION:
DRAWN: W. PARK CHECK: W. PARK APPROV: S.C. KIM DATE: 2020.02.21 DATE: 2020.02.21 DATE: 2020.02.21	DESIGNER: W. PARK DATE: 2020.02.21	MATERIAL: PVC	DIMO NO: A1000E1003A	E-WHA CHEMICAL FEEDER CO., LTD. PUMP ASSEMBLY-DIM EWS25PCF-KS 10K 15A FF A1
SCALE: 1:1			SHEET: 1 OF 1	REVISION:



Note
 1. Model : EWS25
 2. Material : PP
 3. Connection : Flange
 4. Drain valve : Installed

REVISIONS			EWSH		EWSH AND BEGAN SHARP EWSH		DO NOT SCALE DRAWING		REVISION	
NO.	DATE	DESCRIPTION	DATE	DESCRIPTION	DATE	DESCRIPTION	NO.	DATE	DESCRIPTION	NO.
01	2018.02.21	INITIAL					1			
02	2018.02.21	REVISED					2			
03	2018.02.21	REVISED					3			
04							4			
05							5			
06							6			
07							7			
08							8			
09							9			
10							10			
11							11			
12							12			
13							13			
14							14			
15							15			
16							16			

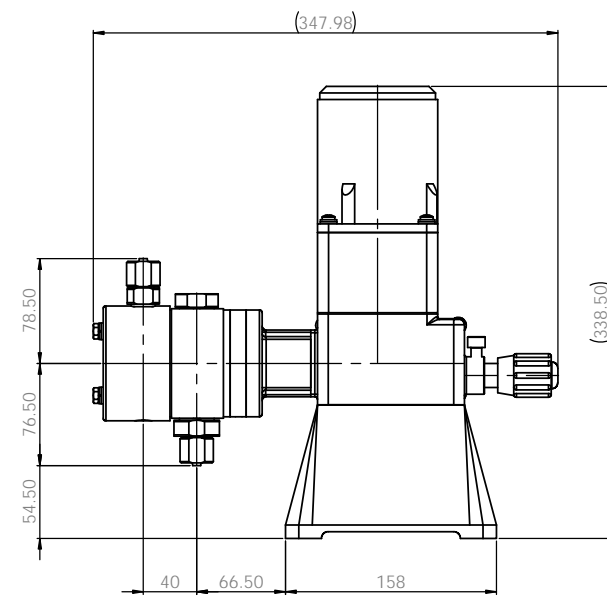
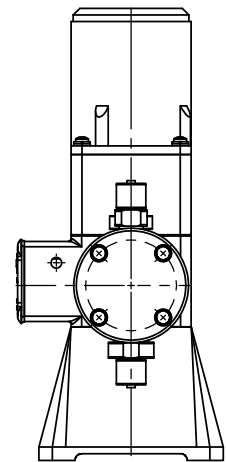
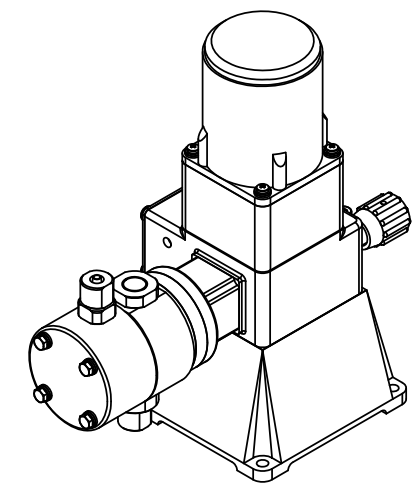
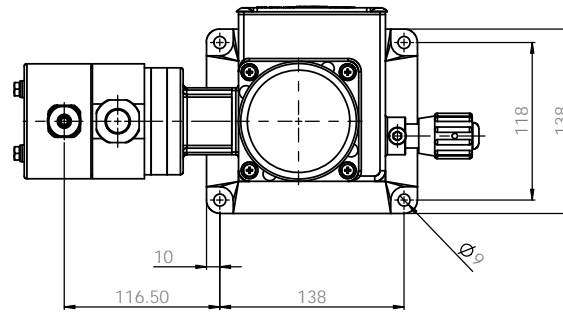
PUMP ASSEMBLY-DIM		EWS25PCFD-KS 10K 15A FF	
DRAWN: W. PARK		DATE: 2018.02.21	
CHECK: W. PARK		DATE: 2018.02.21	
APPROVED: S.C. KIM		DATE: 2018.02.21	
MATERIAL: PVC		EWSH NO: A1000E1004A	
SCALE: 1:1		SHEET: 1 OF 1	



Note

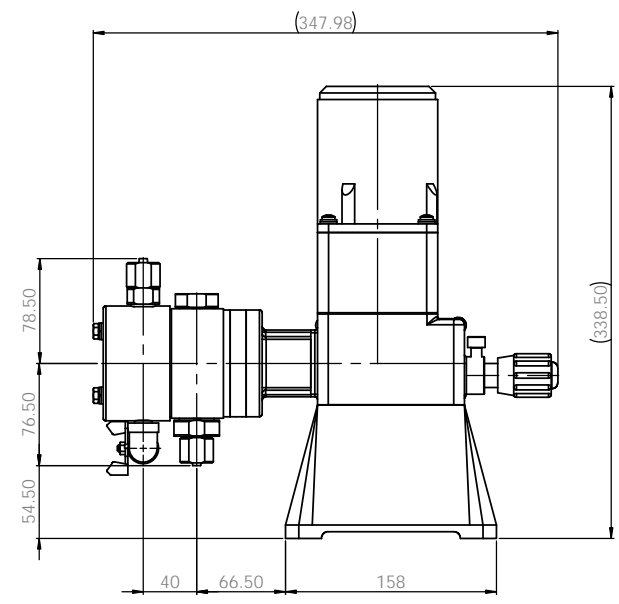
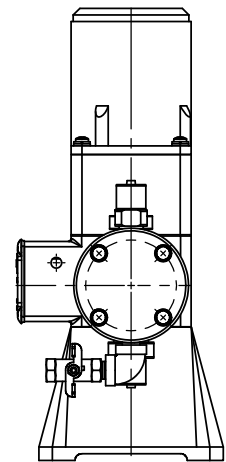
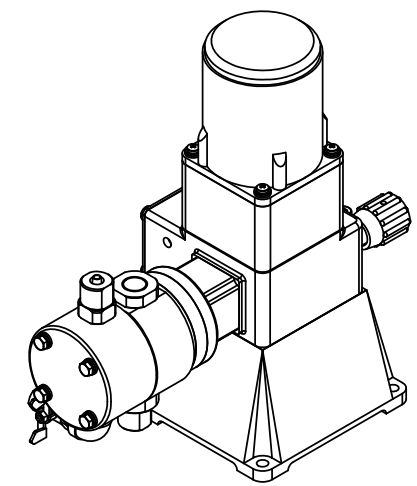
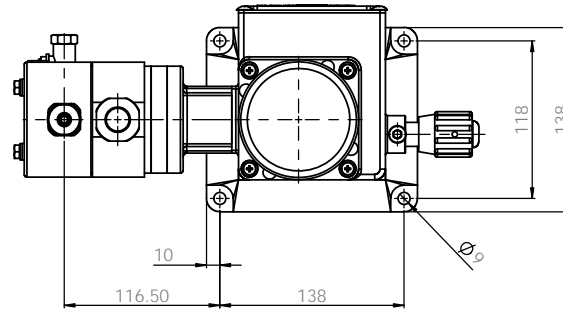
1. Model : EWS25
2. Material : PTFE
3. Connection : Flange
4. Drain valve : N/A

ALL DIMENSIONS SPECIFIED UNLESS OTHERWISE SPECIFIED DIMENSIONS ARE IN MILLIMETERS UNLESS INDICATED OTHERWISE		FINISH		EDGE AND BREAK SHARP ENDS		DO NOT SCALE DRAWING		REVISION	
DRWNR	W. PARK	DESIGNER	W. PARK	DATE	2020.02.21	E-WHA CHEMICAL FEEDER CO., LTD.			
CHKD	W. PARK	DATE	2020.02.21	PUMP ASSEMBLY-DIM					
APPVD	S.C. KIM	DATE	2020.02.22	EWS25TCF-KS 10K 15A FF					
BY		MATERIAL		PTFE		DWG. NO.		A1004E1003A	
SCALE 1:1		SHEET 1 OF 1							



Note
 1. Model : EWS25
 2. Material : Stainless steel
 3. Connection : Hose
 4. Drain valve : Not installed

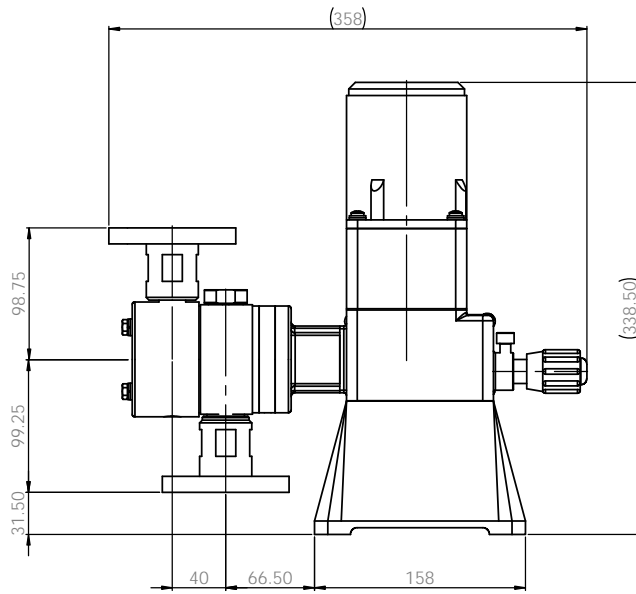
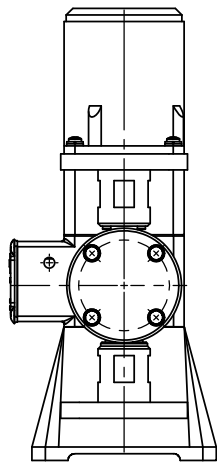
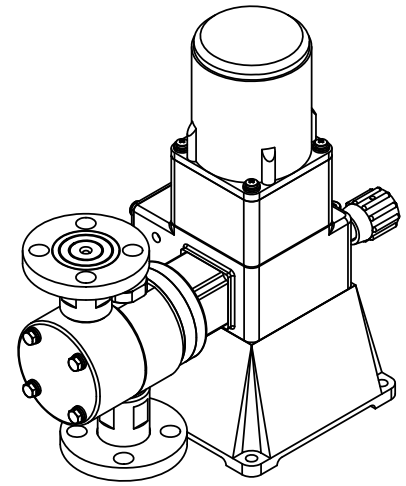
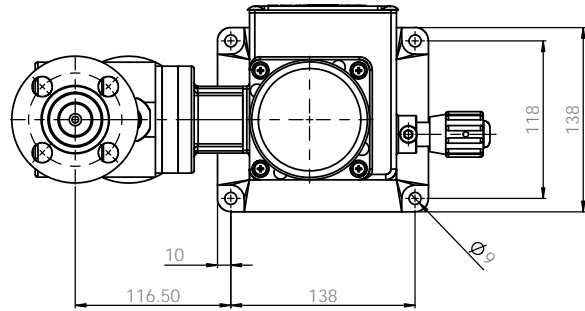
ALL DIMENSIONS SPECIFIED UNLESS OTHERWISE SPECIFIED DIMENSIONS ARE IN MILLIMETERS TOLERANCES: FINISH: ANGULAR		FINISH: BRASS AND BRASS SHARP EDGE	DO NOT SCALE DRAWING REVISION
DRAWN: W. PARK CHECK: W. PARK APPROV: S.C. KIM DATE: 2020.02.21 DATE: 2020.02.21 DATE: 2020.02.21		TITLE: PUMP ASSEMBLY-DIM EWS25S4S4H-H06	SHEET NO: A1301E1001A
MATERIAL: SUS304		SHEET NO: A1301E1001A	SCALE: 1:1 SHEET 1 OF 1



Note

1. Model : EWS25
2. Material : Stainless steel
3. Connection : Hose
4. Drain valve : Installed

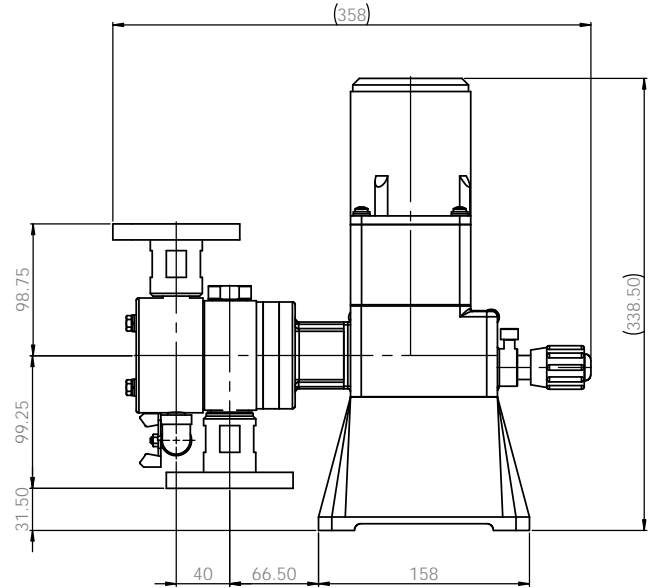
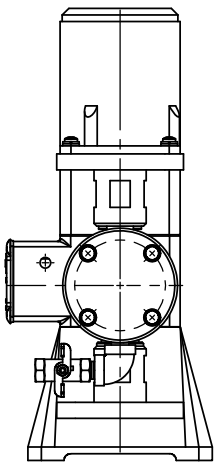
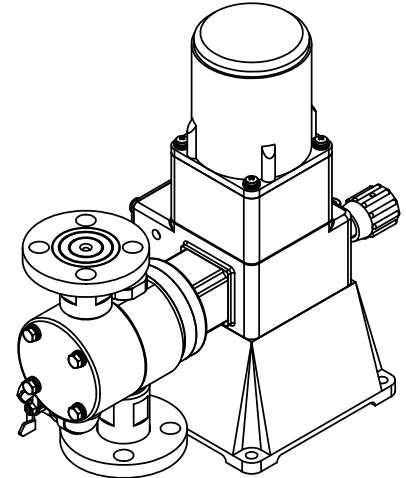
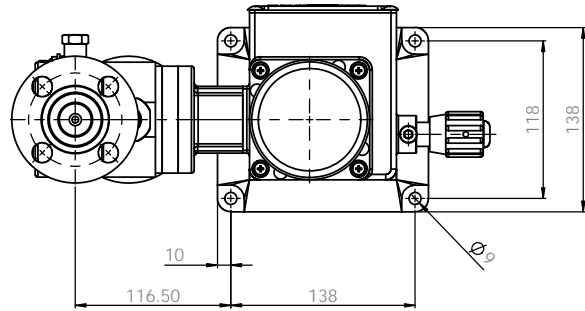
ALL DIMENSIONS SPECIFIED UNLESS OTHERWISE SPECIFIED DIMENSIONS ARE IN MILLIMETERS TOLERANCES: FRACTIONS DECIMALS ANGULAR			FINISH BRASS AND BRASS SHARP ENDS	DO NOT SCALE DRAWING REVISION
DRAWN: W. PARK CHECK: W. PARK APPROV: S.C. KIM DATE: 2020.02.21 DATE: 2020.02.21 DATE: 2020.02.21	DESIGNED: W. PARK DATE: 2020.02.21	MATERIAL: SUS304	DWG. NO.: A1301E1002A	SHEET NO.: A1
E-WHA CHEMICAL FEEDER CO., LTD.			PUMP ASSEMBLY-DIM EWS25S4S4HD-H06	SCALE: 1:1 SHEET 1 OF 1



Note

1. Model : EWS25
2. Material : Stainless steel
3. Connection : Flange
4. Drain valve : Not installed

ALL DIMENSIONS SPECIFIED UNLESS OTHERWISE SPECIFIED DIMENSIONS ARE IN MILLIMETERS UNLESS INDICATED OTHERWISE		FINISH		EDGE AND BREAK SHARP ENDS		DO NOT SCALE DRAWING		REVISION	
DATE	BY	DATE	BY	DATE	BY	E-WHA CHEMICAL FEEDER CO., LTD.			
2020.02.21	W. PARK	2020.02.21	W. PARK	2020.02.21	W. PARK	PUMP ASSEMBLY-DIM			
2020.02.21	S.C. KIM	2020.02.21	S.C. KIM	2020.02.21	S.C. KIM	EWS25S4S4F-KS 10K 15A FF			
MATERIAL		SUS304		DWG NO.		A1301E1003A		A1	
SCALE 1:1		SHEET 1 OF 1		REVISION					



Note

1. Model *EWS25*
2. Material : *Stainless steel*
3. Connection : *Flange*
4. Drain valve : *Installed*

ALL DIMENSIONS SPECIFIED UNLESS OTHERWISE SPECIFIED DIMENSIONS ARE IN MILLIMETERS UNLESS INDICATED OTHERWISE		FINISH		EDGE AND BREAK SHARP ENDS		DO NOT SCALE DRAWING		REVISION	
DATE	BY	DATE	BY	DATE	BY	E-WHA CHEMICAL FEEDER CO., LTD.			
2020.02.21	W. PARK	2020.02.21	W. PARK			PUMP ASSEMBLY-DIM			
2020.02.21	W. PARK	2020.02.21	S.C. KIM			EWS25S4S4FD-KS 10K 15A FF			
2020.02.21	S.C. KIM					MATERIAL: SUS304			
						DWG NO: A1301E1004A			
SCALE: 1:1		SHEET 1 OF 1							