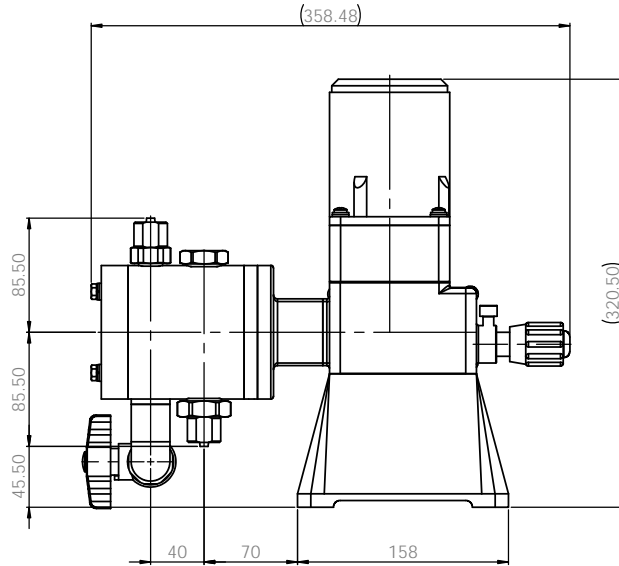
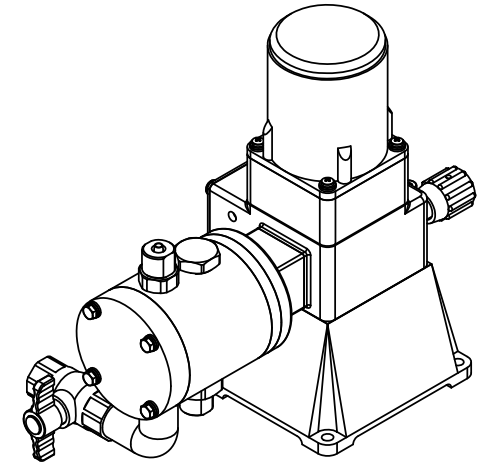
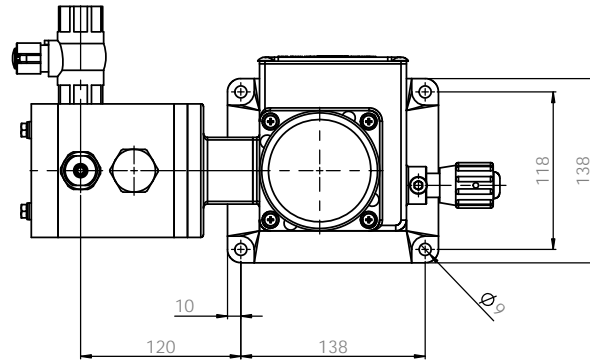
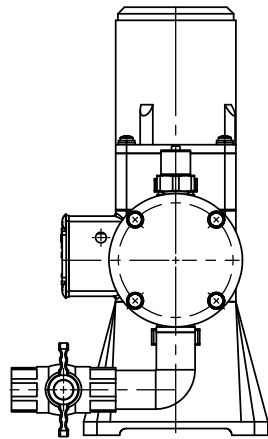


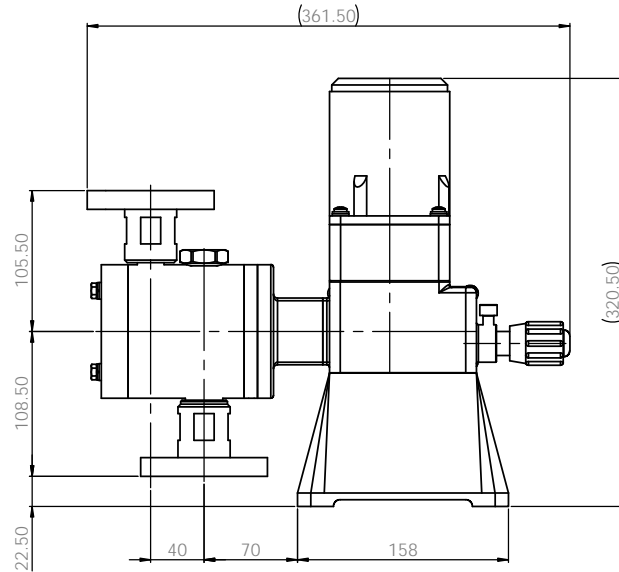
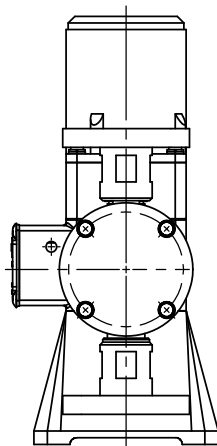
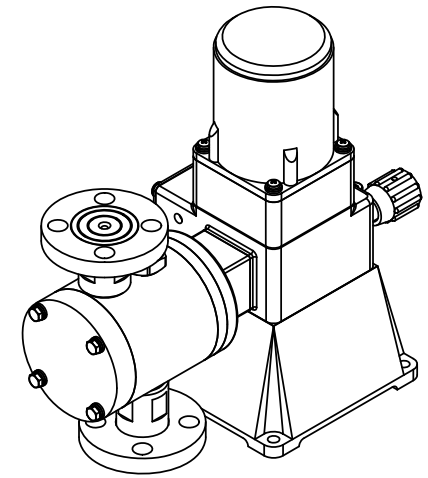
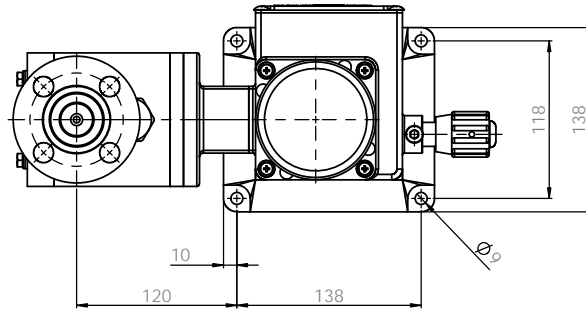
**Note**  
 1. Model : *EWS300*  
 2. Material : *PP / PVDF*  
 3. Connection : *Hose*  
 4. Drain valve : *Not installed*

ALL DIMENSIONS SPECIFIED UNLESS OTHERWISE SPECIFIED DIMENSIONS ARE IN MILLIMETERS TOLERANCES: FINISH: ANGULAR			FINISH	EDGE AND BREAK SHARP EXCEPT	DO NOT SCALE DRAWING	REVISION
E-WHA CHEMICAL FEEDER CO., LTD.						
DRAWN: W. PARK CHECK: W. PARK APPROV: S.C. KIM DATE: 2020.02.21 DATE: 2020.02.21 DATE: 2020.02.21	MODEL: EWS300 REVISION:	DATE:	MATERIAL:	DIM. NO.:	SHEET NO.:	A1
PVC				A1000E1013A	SCALE: 1:1	



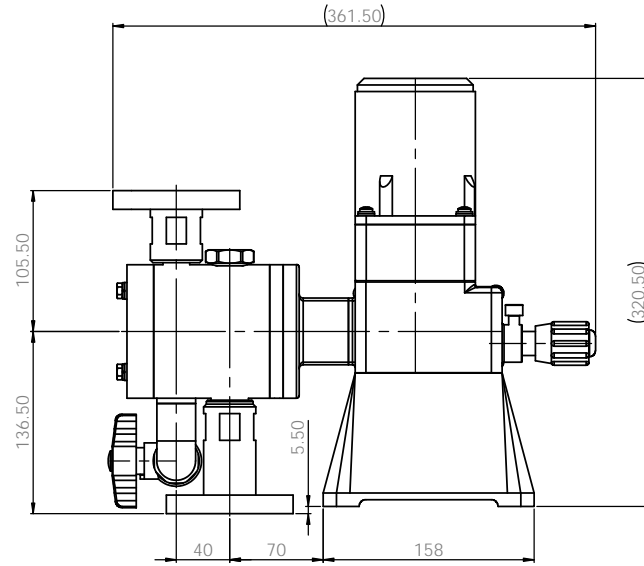
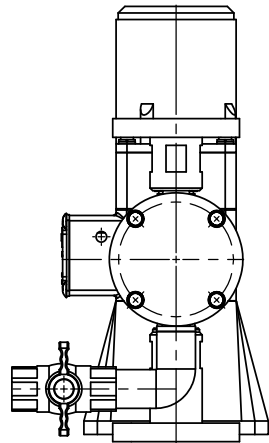
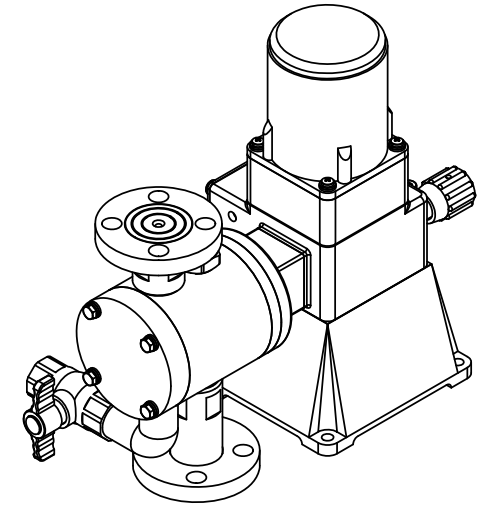
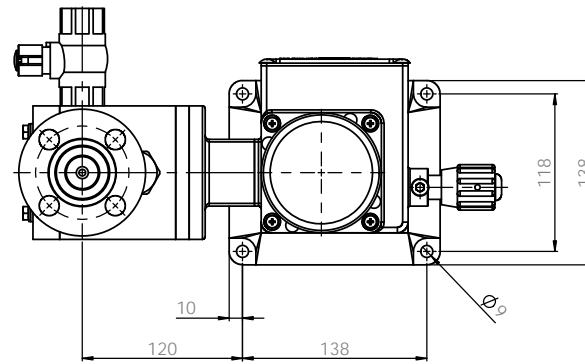
**Note**  
 1. Model : EWS300  
 2. Material : PP  
 3. Connection : Hose  
 4. Drain valve : Installed

ALL DIMENSIONS SPECIFIED UNLESS OTHERWISE SPECIFIED DIMENSIONS ARE IN MILLIMETERS TOLERANCES: FINISH: ANGULAR			FINISH: BRASS AND BRASS SHARP EDGE	DO NOT SCALE DRAWING REVISION
DRAWN: W. PARK CHECK: W. PARK APPROV: S.C. KIM DATE: 2020.02.21 DATE: 2020.02.21 DATE: 2020.02.22			EWS300 DIM:	E-WHA CHEMICAL FEEDER CO., LTD. PUMP ASSEMBLY-DIM EWS300PCHD-H06
Dwg. No. A1000E1014A			Material: PVC	Scale: 1:1 Sheet: 1 of 1



**Note**  
 1. Model : EWS300  
 2. Material : PP / PVDF  
 3. Connection : Flange  
 4. Drain valve : Not installed

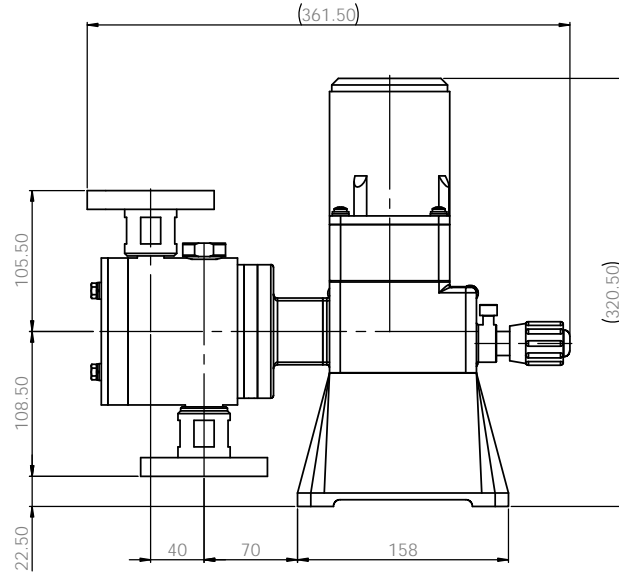
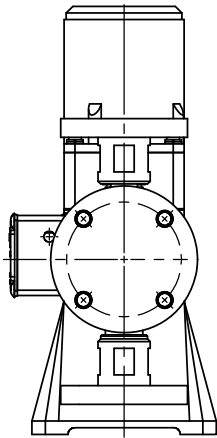
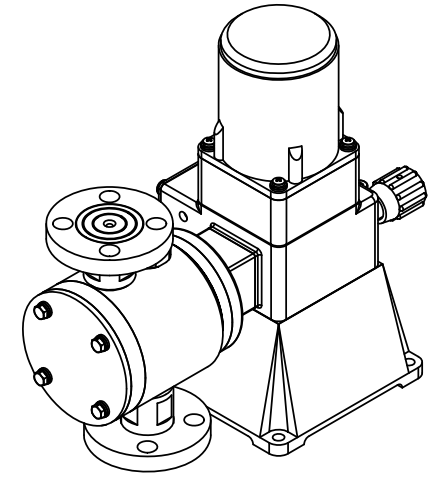
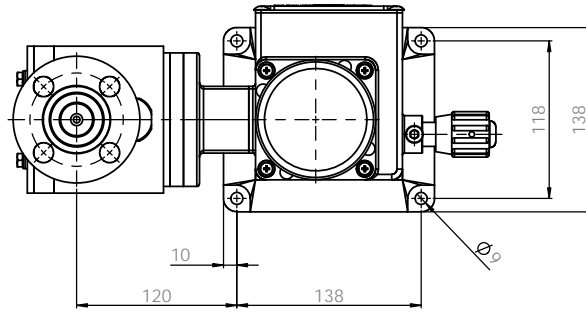
ALL DIMENSIONS SPECIFIED UNLESS OTHERWISE SPECIFIED DIMENSIONS ARE IN MILLIMETERS TOLERANCES: FINISH: ANGULAR			FINISH: BRASS: BRASS STEEL:			DO NOT SCALE DRAWING REVISION:	
DRAWN: W. PARK CHECK: W. PARK APPROV: S.C. KIM DATE: 2020.02.21 DATE: 2020.02.21 DATE: 2020.02.21	DESIGNED: W. PARK DATE: 2020.02.21	DRAWING NO.: EWS300PCF-KS 10K 15A FF	MATERIAL: PVC	SPEC. NO.: A1000E1015A	SHEET NO.: A1	E-WHA CHEMICAL FEEDER CO., LTD.	
SCALE: 1:1			SHEET 1 OF 1				



**Note**  
 1. Model : EWS300  
 2. Material : PP  
 3. Connection : Flange  
 4. Drain valve : Installed

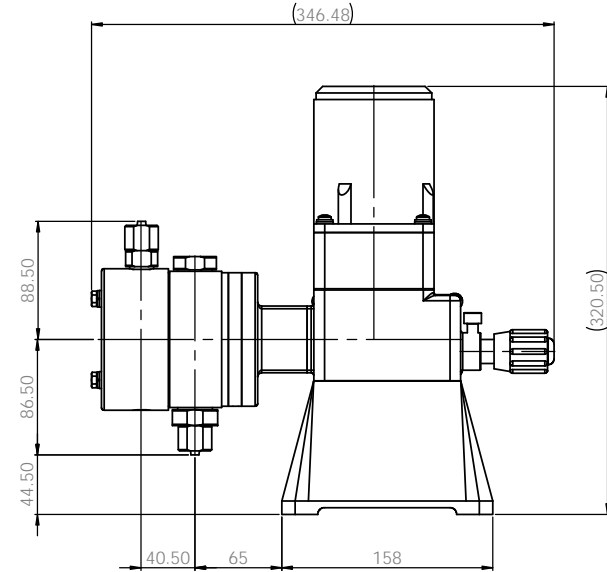
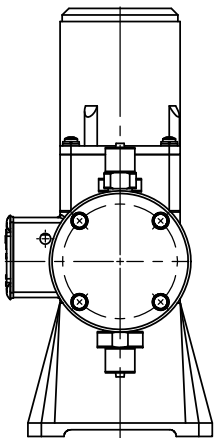
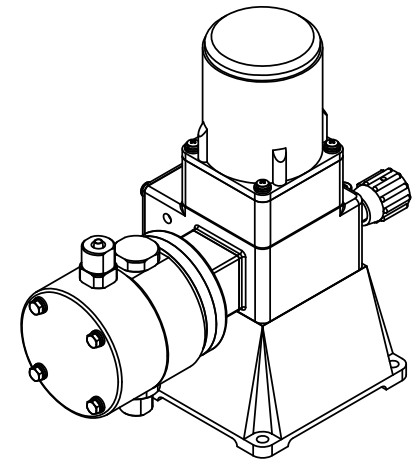
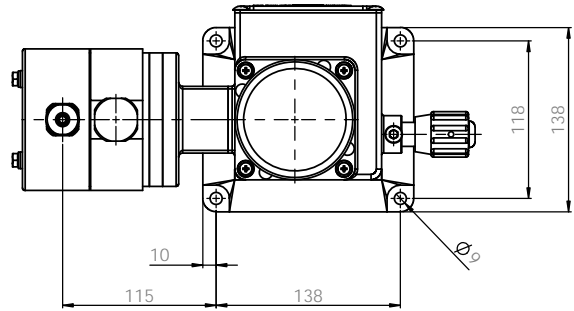
PUMP ASSEMBLY-DIM		EWS300PCFD-KS 10K 15A FF	
EWS300PCFD-KS 10K 15A FF		A1000E1016A	
PVC		A1	





**Note**  
 1. Model : EWS300  
 2. Material : PTFE  
 3. Connection : Flange  
 4. Drain valve : N/A

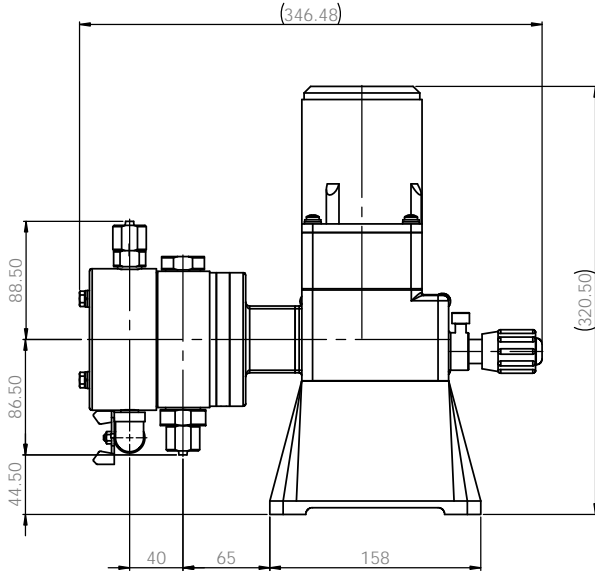
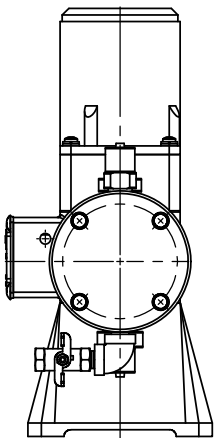
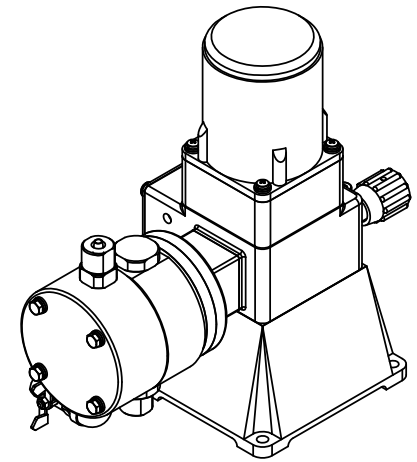
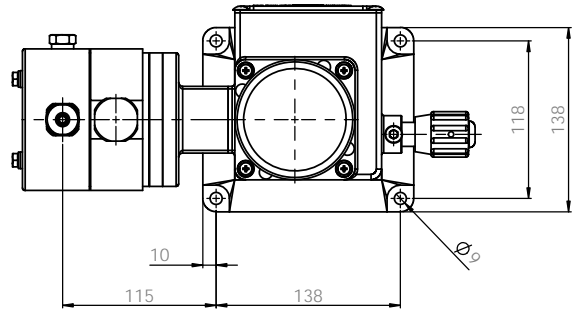
ALL DIMENSIONS SPECIFIED UNLESS OTHERWISE SPECIFIED DIMENSIONS ARE IN MILLIMETERS TOLERANCES: FINISH: ANGULAR			FINISH: BRASS AND BRASS SHARP ENDS	DO NOT SCALE DRAWING REVISION
DRAWN: W. PARK CHECK: W. PARK APPROV: S.C. KIM DATE: 2020.02.21 DATE: 2020.02.21 DATE: 2020.02.22	DESIGNED: DRAWN: CHECKED: DATE:	TITLE: PUMP ASSEMBLY-DIM EWS300TCF-KS 10K 15A FF	MATERIAL: PTFE	SHEET NO.: A1004E1015A
SCALE: 1:1			SHEET 1 OF 1	E-WHA CHEMICAL FEEDER CO., LTD.



**Note**

1. Model : EWS300
2. Material : Stainless steel
3. Connection : Hose
4. Drain valve : Not installed

ALL DIMENSIONS SPECIFIED UNLESS OTHERWISE SPECIFIED DIMENSIONS ARE IN MILLIMETERS		FINISH		EDGE AND BREAK SHARP ENDS		DO NOT SCALE DRAWING		REVISION	
TOLERANCES UNLESS SPECIFIED								E-WHA CHEMICAL FEEDER CO., LTD.	
DATE	BY	DATE	BY	DATE	BY	DATE	BY	DATE	BY
2024.02.21	W. PARK	2024.02.21	W. PARK	2024.02.21	W. PARK	2024.02.21	W. PARK	2024.02.21	W. PARK
2024.02.21	S.C. KIM	2024.02.21	S.C. KIM	2024.02.21	S.C. KIM	2024.02.21	S.C. KIM	2024.02.21	S.C. KIM
MATERIAL		SUS304		DWG. NO.		A1301E1013A		A1	
SCALE 1:1		SHEET 1 OF 1							

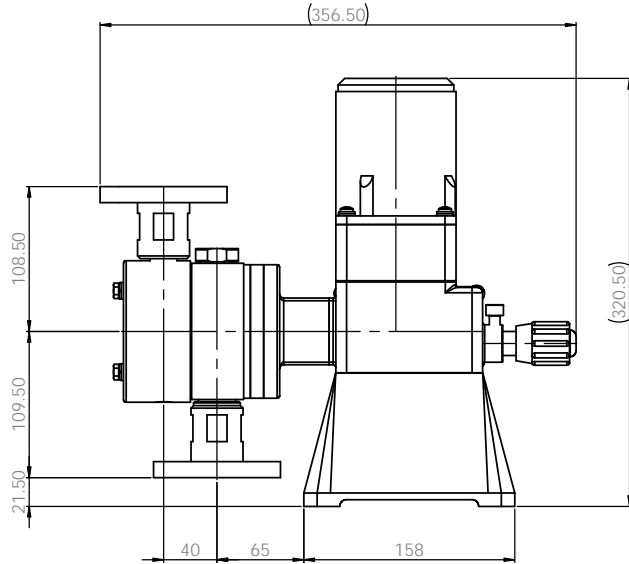
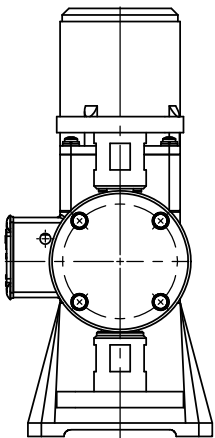
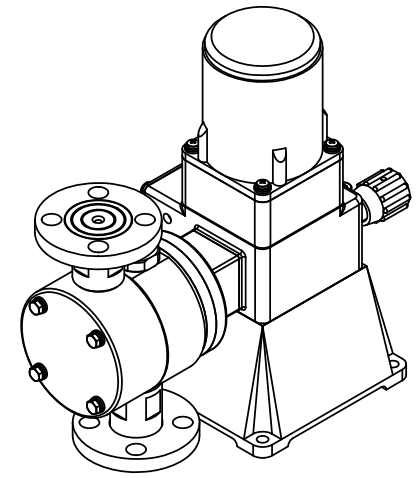
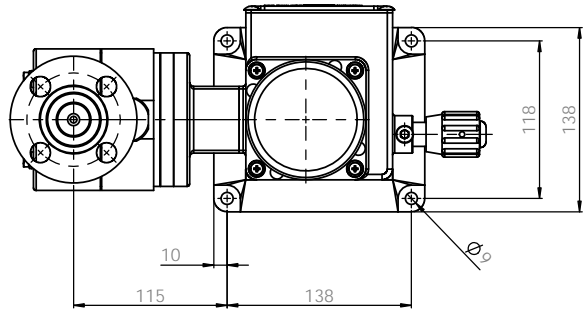


**Note**

1. Model : EWS300
2. Material : Stainless steel
3. Connection : Hose
4. Drain valve : Installed

ALL DIMENSIONS SPECIFIED UNLESS OTHERWISE SPECIFIED DIMENSIONS ARE IN MILLIMETERS TOLERANCES: FRACTIONS DECIMALS ANGULAR			FINISH BRASS AND BRASS SHARP POLISH	DO NOT SCALE DRAWING REVISION
DRAWN W. PARK DATE 2020.02.21	CHECKED W. PARK DATE 2020.02.21	DESIGNED S.C. KIM DATE 2020.02.21	MATERIAL SUS304	EWS300 A1301E1014A
E-WHA CHEMICAL FEEDER CO., LTD. PUMP ASSEMBLY-DIM EWS300S4S4HD-H06			SCALE 1:1	SHEET 1 OF 1

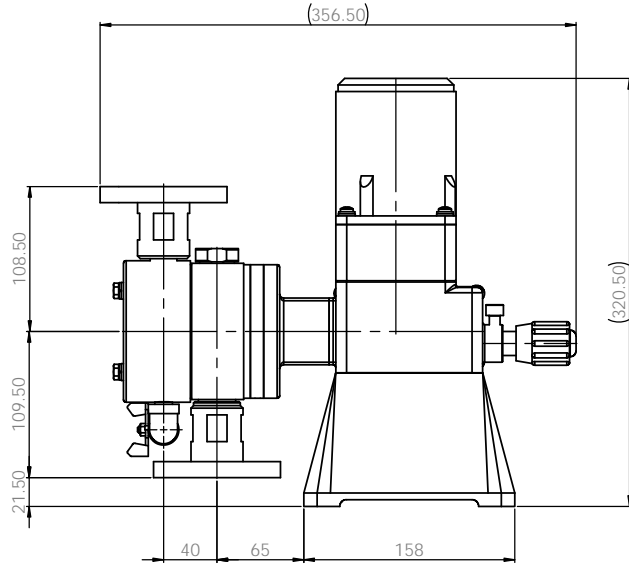
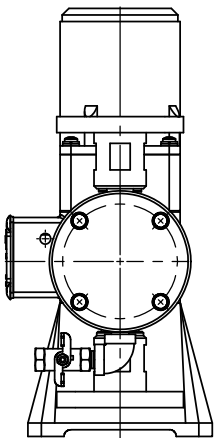
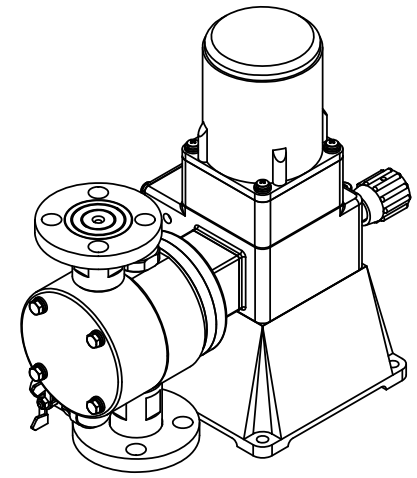
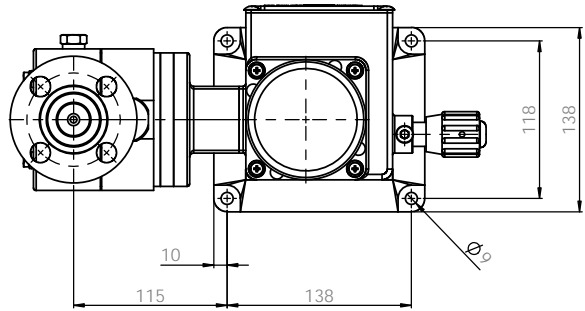




**Note**

1. Model : EWS300
2. Material : Stainless steel
3. Connection : Flange
4. Drain valve : Not installed

ALL DIMENSIONS SPECIFIED UNLESS OTHERWISE SPECIFIED DIMENSIONS ARE IN MILLIMETERS TOLERANCES: FINISH: ANGULAR		FINISH: BRASS AND BRASS SHARP ENDS	DO NOT SCALE DRAWING REVISION
DRAWN: W. PARK CHECK: W. PARK APPROV: S.C. KIM DATE: 2020.02.21 DATE: 2020.02.21 DATE: 2020.02.21	DESIGNER: DATE:	MATERIAL: SUS304	E-WHA CHEMICAL FEEDER CO., LTD. PUMP ASSEMBLY-DIM EWS300S4S4F-KS 10K 15A FF DWG NO: A1301E1015A SCALE: 1:1 SHEET 1 OF 1



**Note**

1. Model : EWS300
2. Material : Stainless steel
3. Connection : Flange
4. Drain valve : Installed

ALL DIMENSIONS SPECIFIED UNLESS OTHERWISE SPECIFIED DIMENSIONS ARE IN MILLIMETERS TOLERANCES: FINISH: ANGULAR			FINISH: BRASS AND BRASS SHARP ENDS	DO NOT SCALE DRAWING REVISION
DRAWN: W. PARK CHECK: W. PARK APPROV: S.C. KIM DATE: 2020.02.21 DATE: 2020.02.21 DATE: 2020.02.21			EWS300 EWS300S4S4FD-KS EWS300S4S4FD-KS	E-WHA CHEMICAL FEEDER CO., LTD. PUMP ASSEMBLY-DIM EWS300S4S4FD-KS 10K 15A FF
Dwg. No. A1301E1016A			Material: SUS304	Scale: 1:1 Sheet: 1 of 1