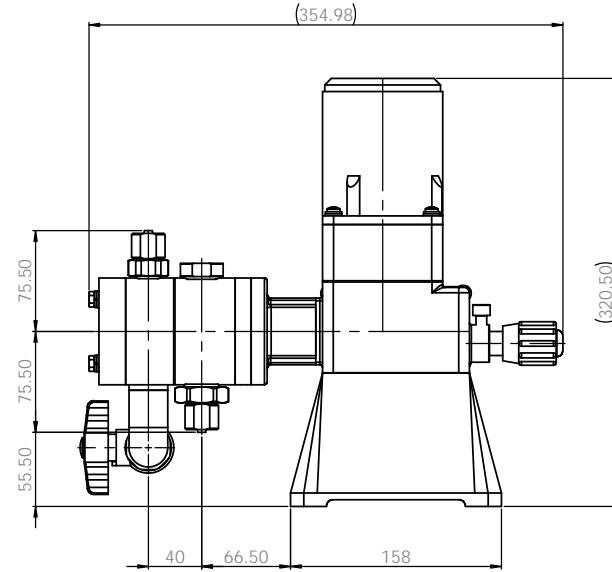
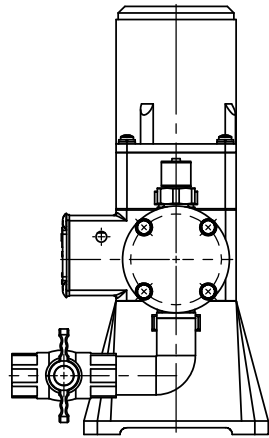
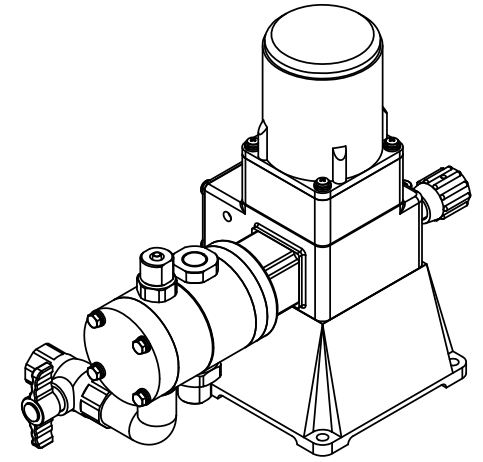
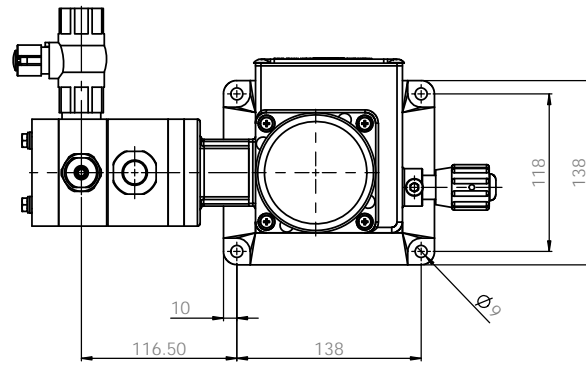


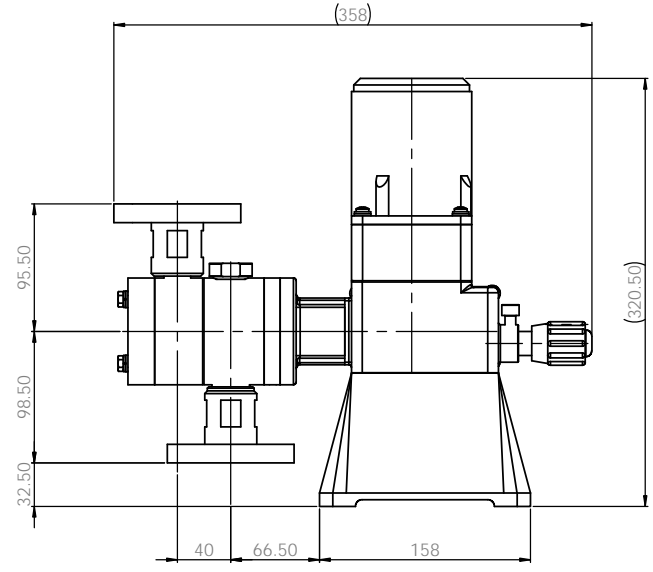
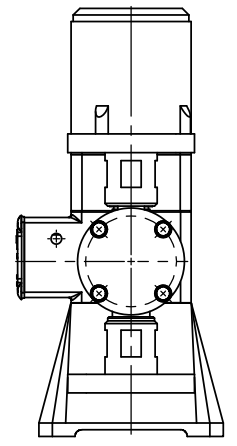
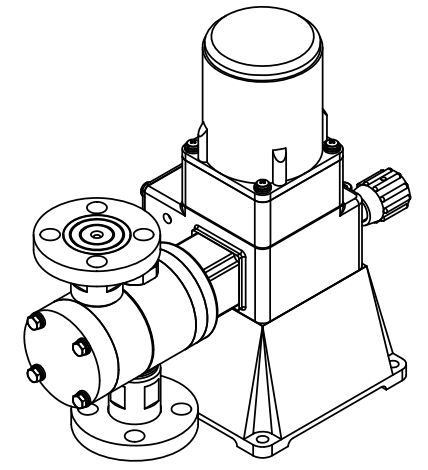
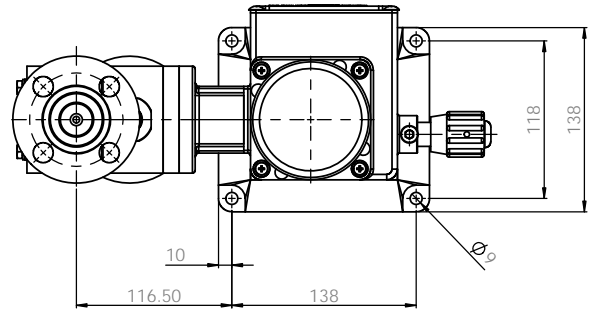
**Note**  
 1. Model : EWS50  
 2. Material : PP / PVDF  
 3. Connection : Hose  
 4. Drain valve : Not installed

ALL DIMENSIONS SPECIFIED UNLESS OTHERWISE SPECIFIED DIMENSIONS ARE IN MILLIMETERS TOLERANCES : HORIZONTAL : ANGULAR :			FINISH :	EDGE AND BREAK SHARP EXCEPT :	DO NOT SCALE DRAWING REVISION :
DRAWN : W. PARK CHECKED : W. PARK APPROVED : S.C. KIM DATE : 2020.02.21 DATE : 2020.02.21 DATE : 2020.02.22	DESIGNER : DATE : DATE :	MATERIAL : PVC	DIMENSION : A1000E1005A	SHEET NO. : A1	E-WHA CHEMICAL FEEDER CO., LTD. PUMP ASSEMBLY-DIM EWS50PCH-H06
SCALE : 1:1			SHEET : 1 OF 1		



**Note**  
 1. Model : EWS50  
 2. Material : PP  
 3. Connection : Flange  
 4. Drain valve : Installed

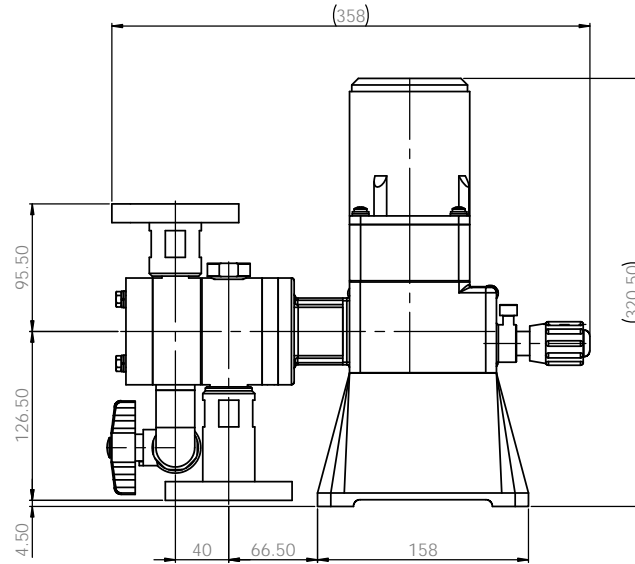
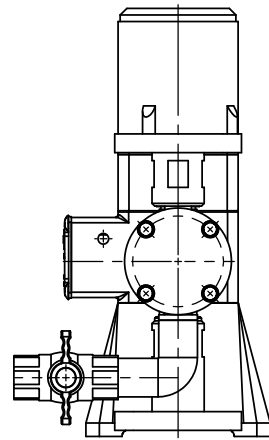
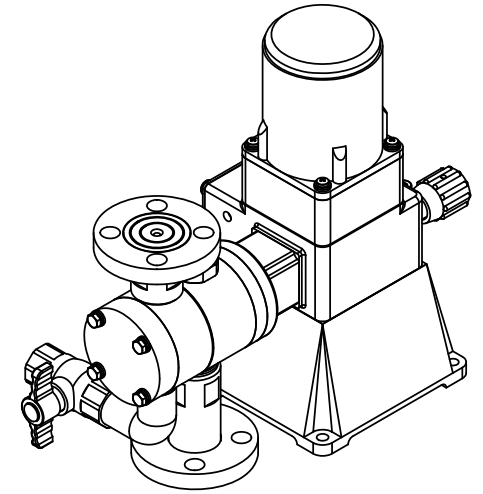
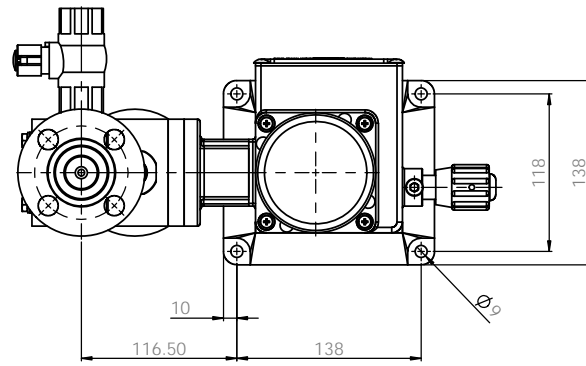
ALL DIMENSIONS SPECIFIED UNLESS OTHERWISE SPECIFIED DIMENSIONS ARE IN MILLIMETERS TOLERANCES: FRACTIONS DECIMALS ANGULAR			FINISH		SURFACE AND BREAK SHARP EDGES		DO NOT SCALE DRAWING		REVISION	
DRAWN: W. PARK CHECK: W. PARK APPROV: S.C. KIM DATE: 2020.02.21 DATE: 2020.02.21 DATE: 2020.02.21			DESIGNER: W. PARK DATE: 2020.02.21		MATERIAL: PVC		DWG. NO.: A1000E1006A		SHEET 1 OF 1	
E-WHA CHEMICAL FEEDER CO., LTD.			PUMP ASSEMBLY-DIM EWS50PCHD-H06		SCALE: 1:1		A1		SHEET 1 OF 1	



**Note**

1. Model : EWS50
2. Material : PP / PVDF
3. Connection : Flange
4. Drain valve : Not installed

ALL DIMENSIONS SPECIFIED UNLESS OTHERWISE SPECIFIED DIMENSIONS ARE IN MILLIMETERS TOLERANCES: FINISH: ANGULAR		FINISH: BREAK SHARP EDGES	DO NOT SCALE DRAWING REVISION
DRAWN: W. PARK CHECK: W. PARK APPROV: S.C. KIM DATE: 2020.02.21 DATE: 2020.02.21 DATE: 2020.02.21	DESIGNED: W. PARK DATE: 2020.02.21	MATERIAL: PVC	EWS50PCF-KS 10K 15A FF A1000E1007A A1
SCALE: 1:1		SHEET 1 OF 1	



**Note**

1. Model : EWS50
2. Material : PP
3. Connection : Flange
4. Drain valve : Installed

REVISIONS			DATE		BY		CHECKED		APPROVED		MATERIAL		DRAWING NO.		SHEET NO.	
1	W. PARK	2024.02.21										PVC	A1000E1008A	A1		
2	W. PARK	2024.02.21														
3	S.C. KIM	2024.02.22														
4																

DO NOT SCALE DRAWING

REVISION

E-WHA CHEMICAL FEEDER CO., LTD.

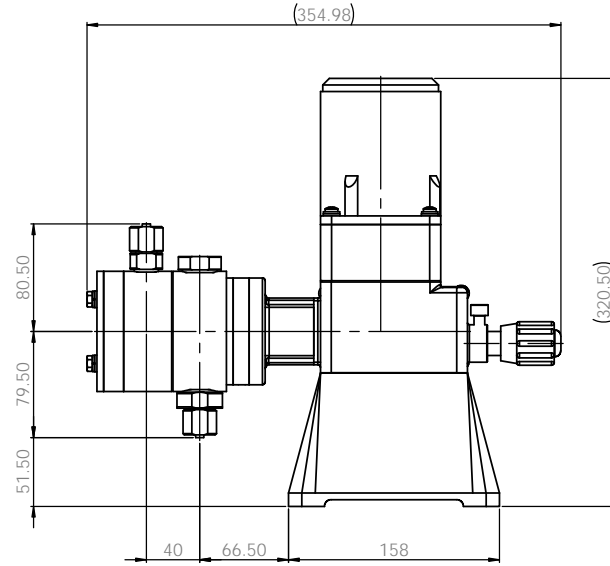
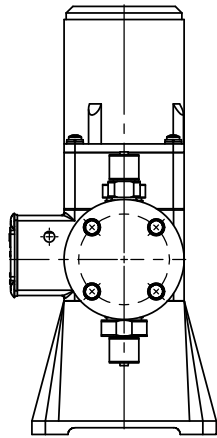
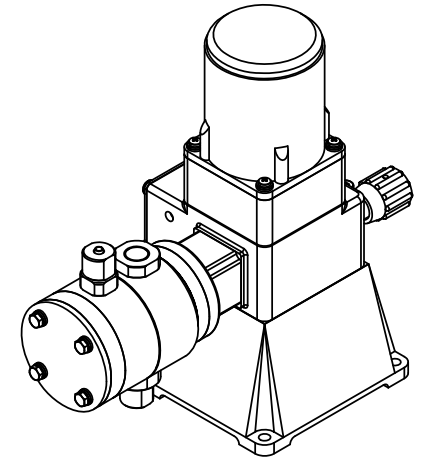
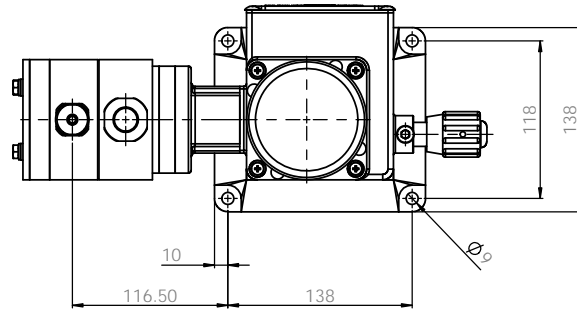
FIG.

PUMP ASSEMBLY-DIM

EWS50PCFD-KS 10K 15A FF

SCALE 1:1

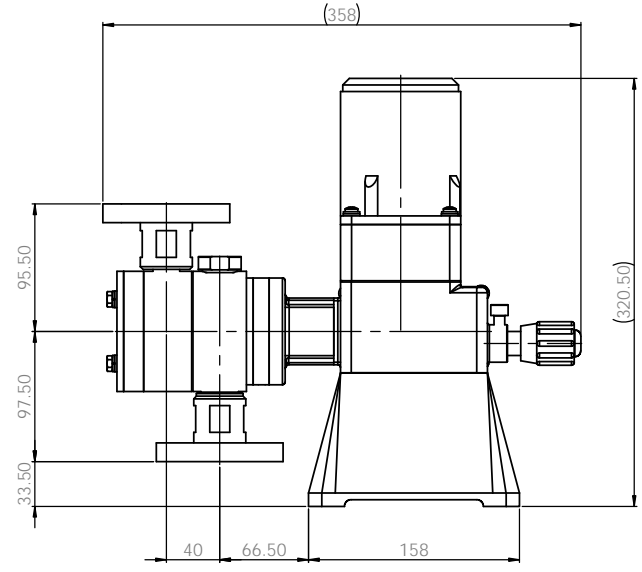
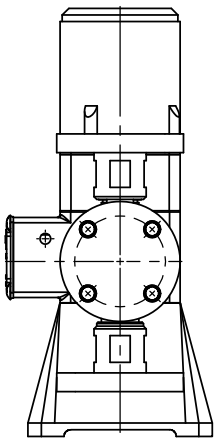
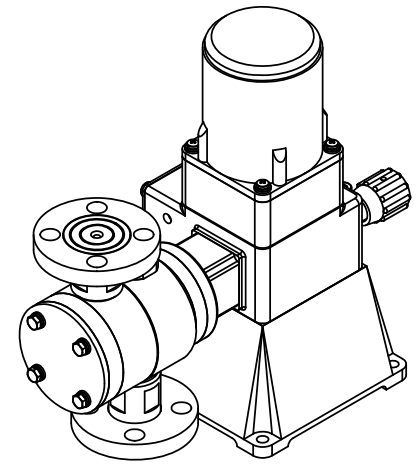
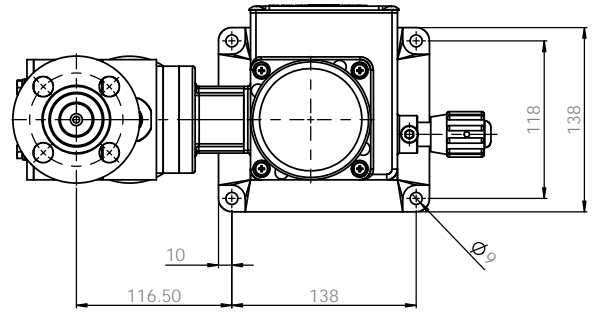
SHEET 1 OF 1



**Note**

1. Model : EWS50
2. Material : PTFE
3. Connection : Hose
4. Drain valve : N/A

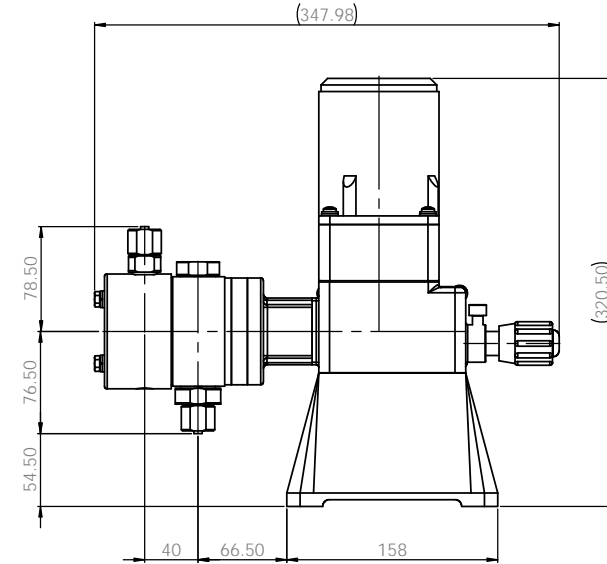
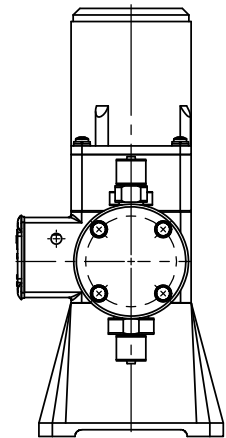
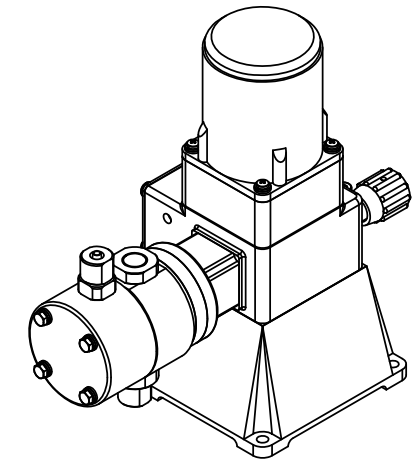
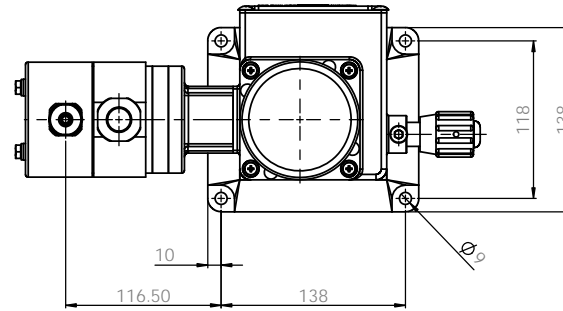
ALL DIMENSIONS SPECIFIED UNLESS OTHERWISE SPECIFIED DIMENSIONS ARE IN MILLIMETERS TOLERANCES: HOLE: ±0.05 ANGULAR: ±0.5°		FINISH: BRASS AND BRASS SHARP POLISH	DO NOT SCALE DRAWING REVISION:
DRAWN: W. PARK CHECK: W. PARK APPROV: S.C. KIM DATE: 2020.02.21 DATE: 2020.02.21 DATE: 2020.02.22		TITLE: PUMP ASSEMBLY-DIM EWS50TCH-H06	E-WHA CHEMICAL FEEDER CO., LTD. SHEET NO. A1
Dwg. No. A1004E1005A MATERIAL: PTFE		SHEET NO. A1004E1005A	SCALE: 1:1 SHEET 1 OF 1



**Note**

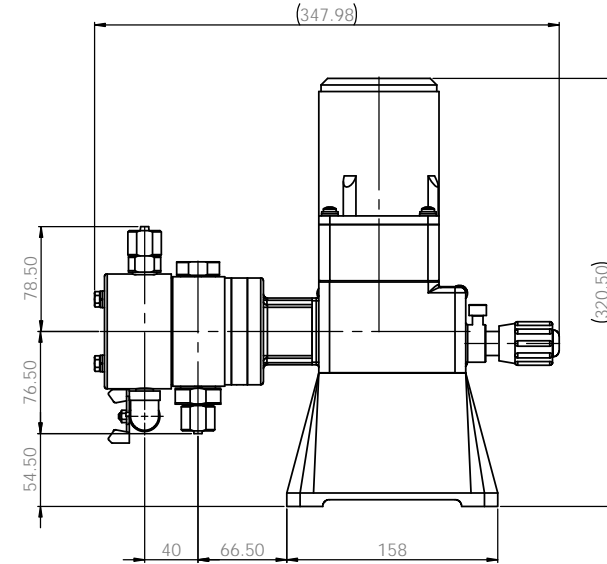
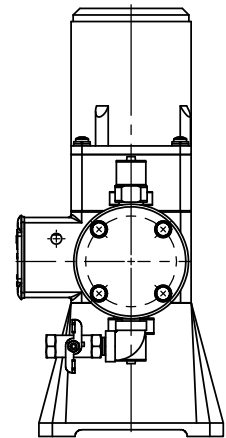
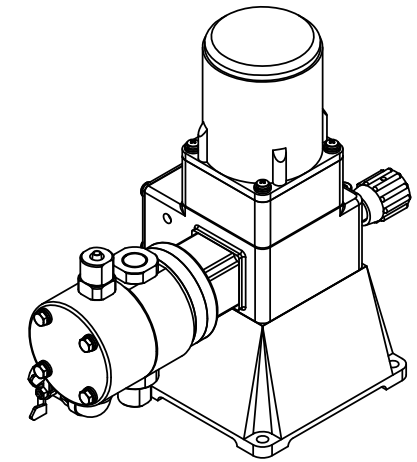
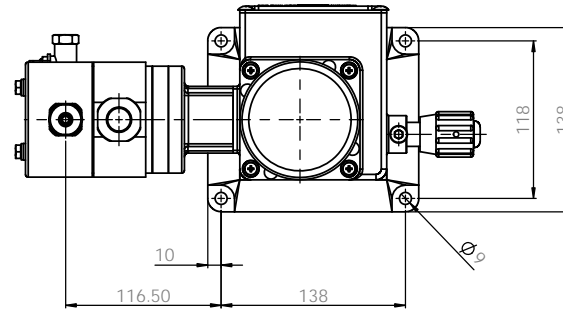
1. Model : EWS50
2. Material : PTFE
3. Connection : Flange
4. Drain valve : N/A

ALL DIMENSIONS SPECIFIED UNLESS OTHERWISE SPECIFIED DIMENSIONS ARE IN MILLIMETERS TOLERANCES: HORIZONTAL ANGULAR			FINISH BRASS AND BRASS SHARP POLISH	DO NOT SCALE DRAWING REVISION
DRAWN W. PARK	CHECKED W. PARK	DATE 2020.02.21	DESIGNED S.C. KIM	DATE 2020.02.21
MATERIAL PTFE			DRAWING NO. A1004E1007A	SHEET NO. OF 1 A1



**Note**  
 1. Model : EWS50  
 2. Material : SUS  
 3. Connection : Hose  
 4. Drain valve : Not installed

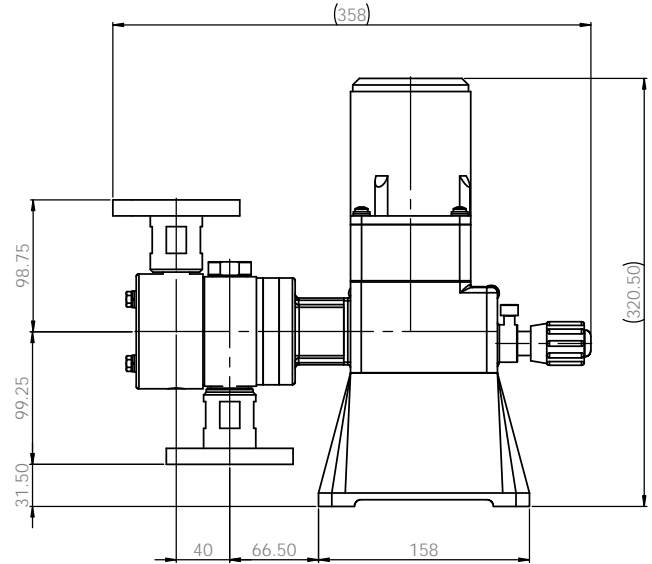
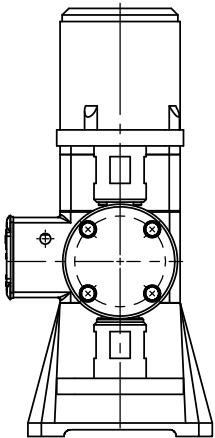
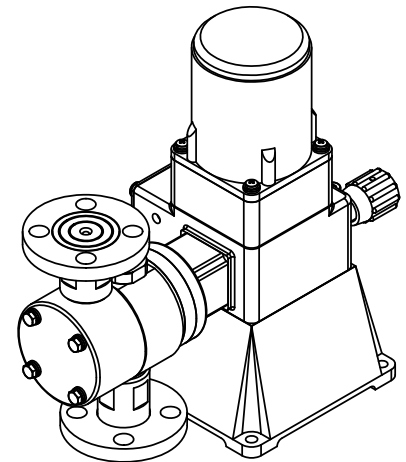
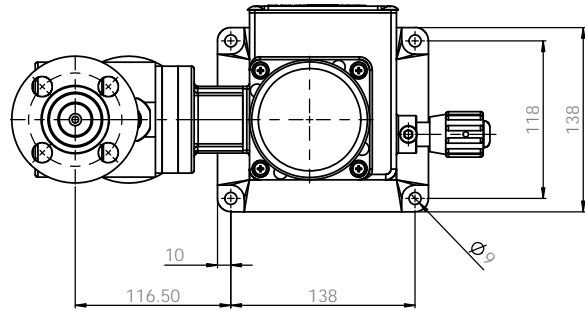
ALL DIMENSIONS SPECIFIED UNLESS OTHERWISE SPECIFIED DIMENSIONS ARE IN MILLIMETERS UNLESS OTHERWISE SPECIFIED		FINISH		EDGE AND BREAK SHARP ENDS		DO NOT SCALE DRAWING		REVISION	
DRAWN: W. PARK		CHECKED: W. PARK		DATE: 2020.02.21		EWS50S4S4H-H06		E-WHA CHEMICAL FEEDER CO., LTD.	
REVISED: S.C. KIM		DATE: 2020.02.21				PUMP ASSEMBLY-DIM			
MATERIAL: SUS304		DRAWING NO: A1301E1005A		SCALE: 1:1		SHEET 1 OF 1		A1	



**Note**  
 1. Model : EWS50  
 2. Material : Stainless steel  
 3. Connection : Hose  
 4. Drain valve : Installed

ALL DIMENSIONS SPECIFIED UNLESS OTHERWISE SPECIFIED DIMENSIONS ARE IN MILLIMETERS TOLERANCES: FRACTIONS DECIMALS ANGULAR		FINISH BRASS AND BRASS SHARP ENDS	DO NOT SCALE DRAWING REVISION
DRAWN: W. PARK CHECK: W. PARK APPROV: S.C. KIM DATE: 2020.02.21 DATE: 2020.02.21 DATE: 2020.02.22	MESH DATE:	MATERIAL: SUS304	E-WHA CHEMICAL FEEDER CO., LTD. PUMP ASSEMBLY-DIM EWS50S4S4HD-H06 SHEET NO. A1301E1006A SCALE: 1:1 SHEET 1 OF 1

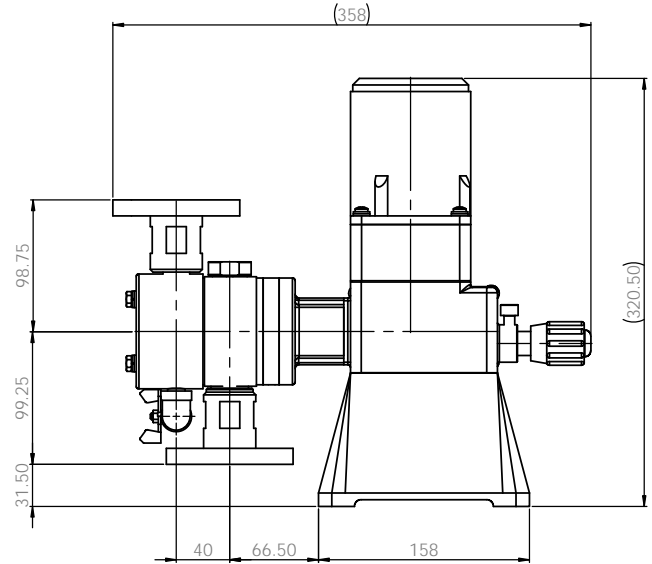
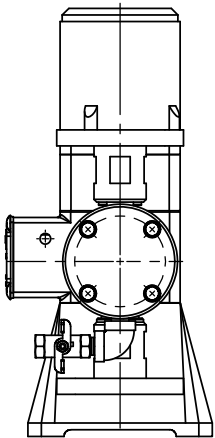
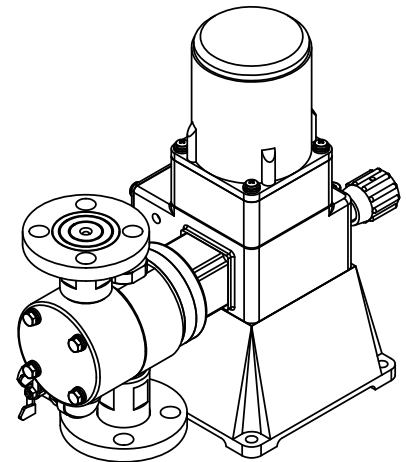
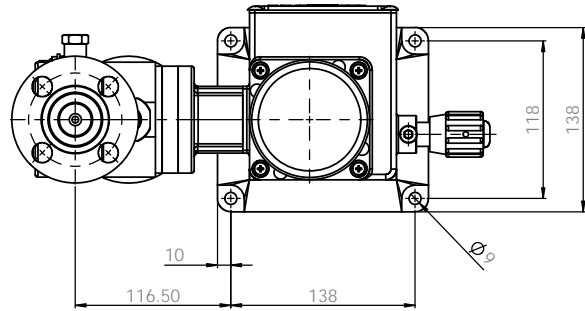




**Note**

1. Model : EWS50
2. Material : Stainless steel
3. Connection : Flange
4. Drain valve : Not installed

ALL DIMENSIONS SPECIFIED DIMENSIONS ARE IN MILLIMETERS UNLESS OTHERWISE SPECIFIED			FINISH BRASS SHARP EDGE		DO NOT SCALE DRAWING REVISION	
TOLERANCES HORIZONTAL ANGULAR					E-WHA CHEMICAL FEEDER CO., LTD.	
DRAWN W. PARK	CHECKED W. PARK	DATE 2020.02.21	DESIGNED S.C. KIM	DATE 2020.02.21	MATERIAL SUS304	DRAWING NO. A1301E1007A
SHEET NO. 1			SCALE 1:1		SHEET TOTAL 1 OF 1	



**Note**

1. Model : EWS50
2. Material : Stainless steel
3. Connection : Flange
4. Drain valve : Installed

ALL DIMENSIONS SPECIFIED UNLESS OTHERWISE SPECIFIED DIMENSIONS ARE IN MILLIMETERS TOLERANCES: FINISH: ANGULAR		FINISH: BRASS BRASS SHARP EDGE	DO NOT SCALE DRAWING REVISION
DRAWN: W. PARK CHECK: W. PARK APPROV: S.C. KIM DATE: 2020.02.21 DATE: 2020.02.21 DATE: 2020.02.22	DESIGNED: W. PARK DATE: 2020.02.21	MATERIAL: SUS304	E-WHA CHEMICAL FEEDER CO., LTD. PUMP ASSEMBLY-DIM EWS50S4S4FD-KS 10K 15A FF SHEET NO. A1301E1008A SHEET 1 OF 1