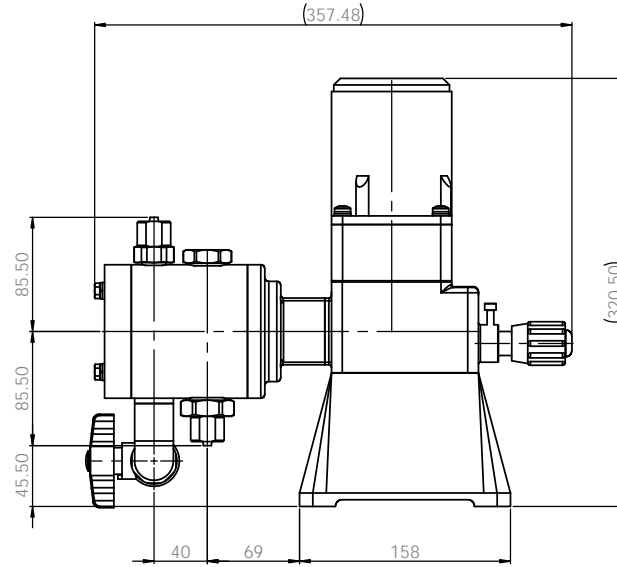
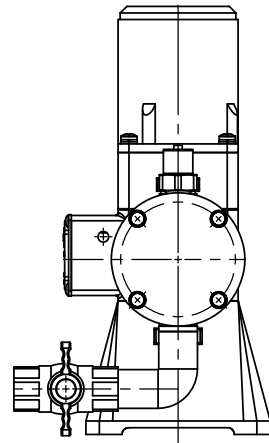
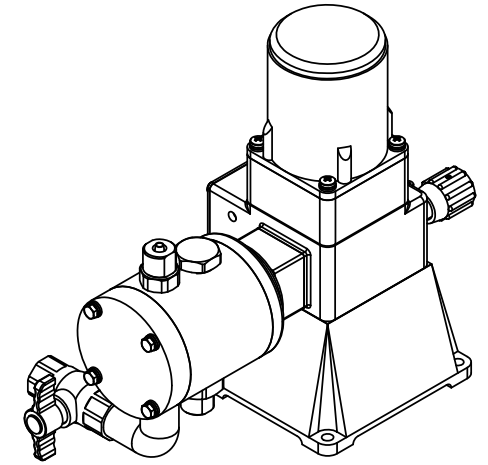
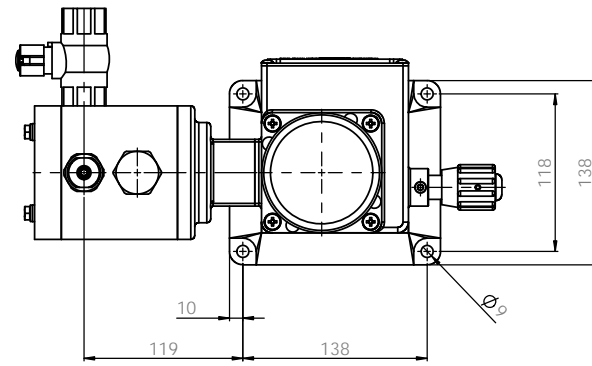


Note
 1. Model : EWS500
 2. Material : PP / PVDF
 3. Connection : Hose
 4. Drain valve : Not installed

ALL DIMENSIONS SPECIFIED UNLESS OTHERWISE SPECIFIED DIMENSIONS ARE IN MILLIMETERS TOLERANCES: FINISH: ANGULAR			FINISH: BRASS AND BRASS SHARP ENDS	DO NOT SCALE DRAWING REVISION
DATE: 2020.02.22 DRAWN: W. PARK CHECK: W. PARK APPROV: S.C. KIM DES:			DATE: 2020.02.22 DATE: 2020.02.22 DATE: 2020.02.22	E-WHA CHEMICAL FEEDER CO., LTD. PUMP ASSEMBLY-DIM EWS500PCH-H06
MATERIAL: PVC			DIMC NO: A1000E1017A	A1
SCALE: 1:1			SHEET: 1 OF 1	

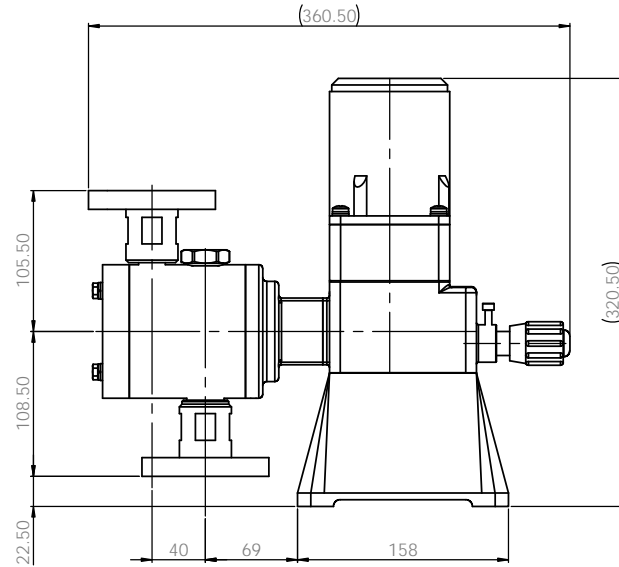
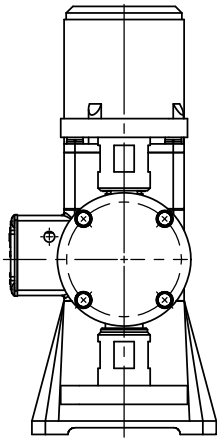
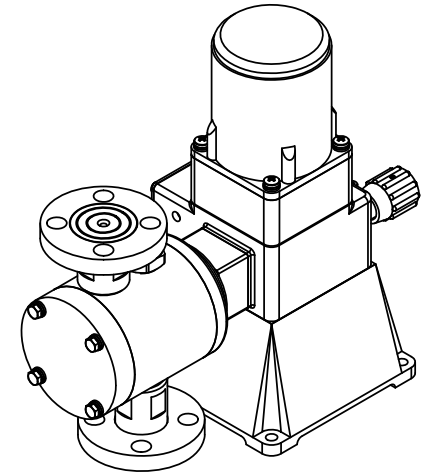
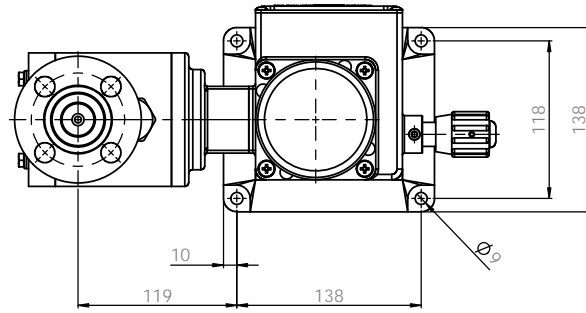


Note

1. Model : EWS500
2. Material : PP
3. Connection : Hose
4. Drain valve : Installed

REVISIONS			EWSH		TITLE AND DRAWING NUMBER		DO NOT SCALE DRAWING		REVISION	
NO.	DATE	DESCRIPTION	BY	CHKD	DATE	NO.	DATE	DESCRIPTION	BY	CHKD
1	2020.02.21	ISSUE FOR FABRICATION				1	2020.02.21			
2	2020.02.21	ISSUE FOR FABRICATION				2	2020.02.21			
3	2020.02.21	ISSUE FOR FABRICATION				3	2020.02.21			
4	2020.02.21	ISSUE FOR FABRICATION				4	2020.02.21			
5	2020.02.21	ISSUE FOR FABRICATION				5	2020.02.21			
6	2020.02.21	ISSUE FOR FABRICATION				6	2020.02.21			
7	2020.02.21	ISSUE FOR FABRICATION				7	2020.02.21			
8	2020.02.21	ISSUE FOR FABRICATION				8	2020.02.21			
9	2020.02.21	ISSUE FOR FABRICATION				9	2020.02.21			
10	2020.02.21	ISSUE FOR FABRICATION				10	2020.02.21			
11	2020.02.21	ISSUE FOR FABRICATION				11	2020.02.21			
12	2020.02.21	ISSUE FOR FABRICATION				12	2020.02.21			
13	2020.02.21	ISSUE FOR FABRICATION				13	2020.02.21			
14	2020.02.21	ISSUE FOR FABRICATION				14	2020.02.21			
15	2020.02.21	ISSUE FOR FABRICATION				15	2020.02.21			
16	2020.02.21	ISSUE FOR FABRICATION				16	2020.02.21			

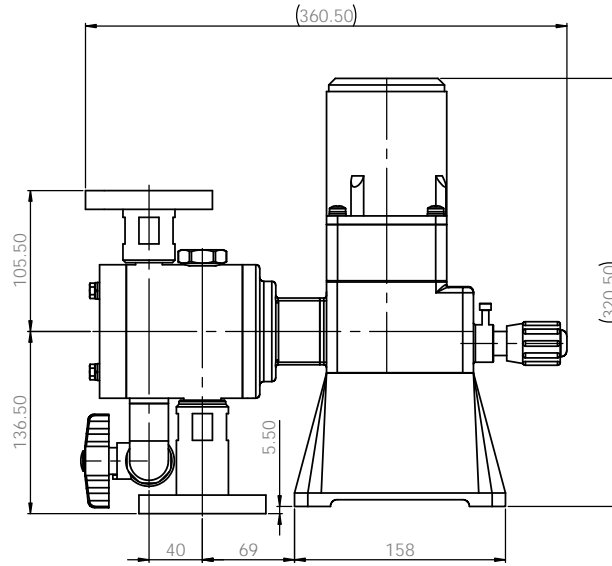
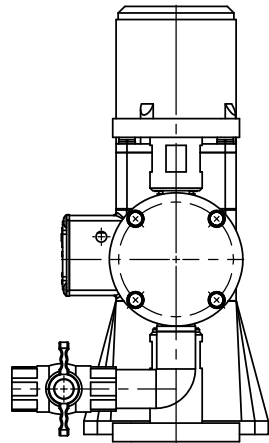
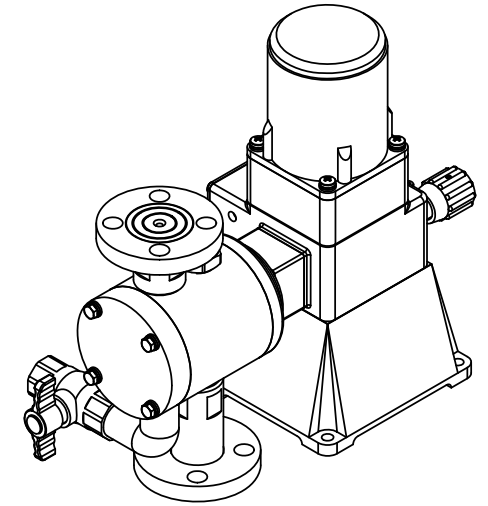
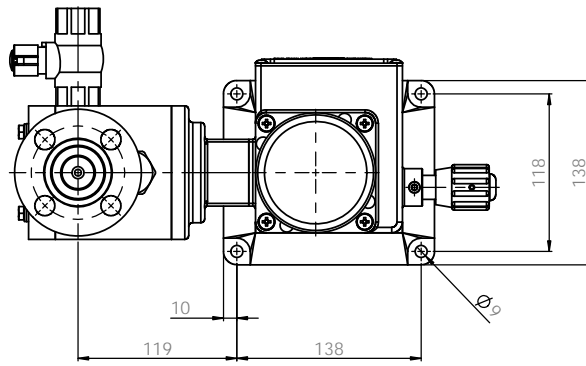
PUMP ASSEMBLY-DIM			EWS500PCHD-H06		
MATERIAL: PVC			DIMENSION: A1000E1018A		
SCALE: 1:1			SHEET: 1 OF 1		



- Note**
1. Model : EWS500
 2. Material : PP / PVDF
 3. Connection : Flange
 4. Drain valve : Not installed

REVISIONS				EWSH		FINISH AND BEZEL GRASP		DO NOT SCALE DRAWING		REVISION	
NO.	DATE	BY	CHKD	DATE	BY	DATE	BY	NO.	DESCRIPTION	DATE	BY
1	2020.02.21							1	INITIAL		
2	2020.02.21							2	REVISED		
3	2020.02.22							3	REVISED		
4								4	REVISED		
5								5	REVISED		
6								6	REVISED		
7								7	REVISED		
8								8	REVISED		
9								9	REVISED		
10								10	REVISED		
11								11	REVISED		
12								12	REVISED		
13								13	REVISED		
14								14	REVISED		
15								15	REVISED		
16								16	REVISED		

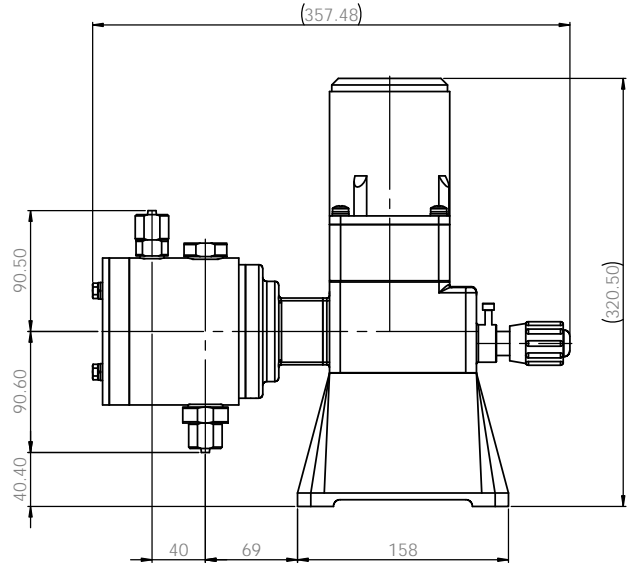
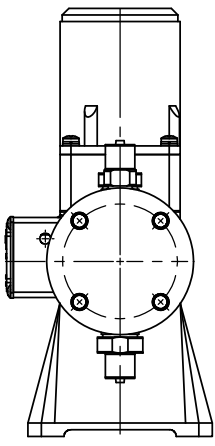
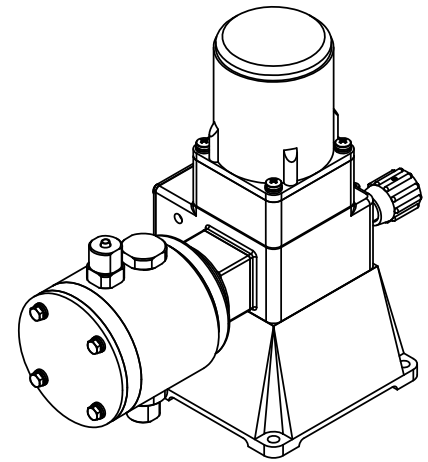
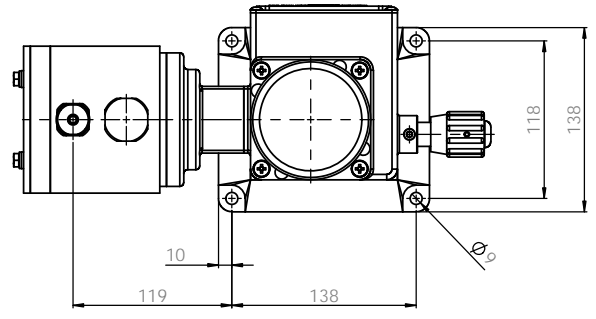
PUMP ASSEMBLY-DIM				EWS500PCF-KS 10K 15A FF			
MATERIAL: PVC				DRAWING NO: A1000E1019A			
SCALE: 1:1				SHEET 1 OF 1			



Note

1. Model : EWS500
2. Material : PP
3. Connection : Hose
4. Drain valve : Installed

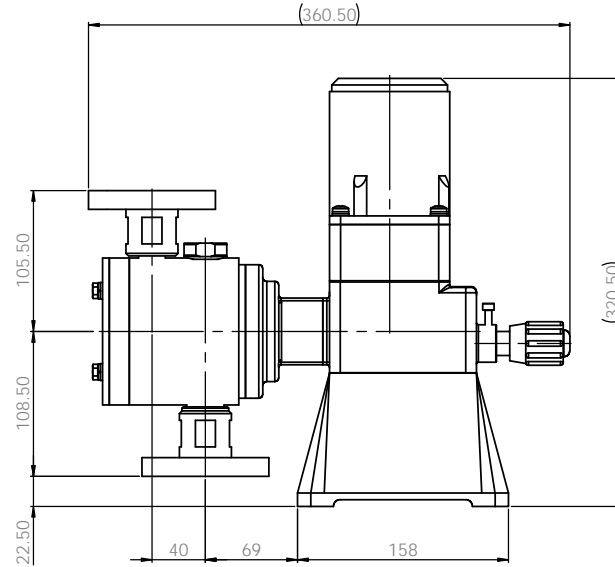
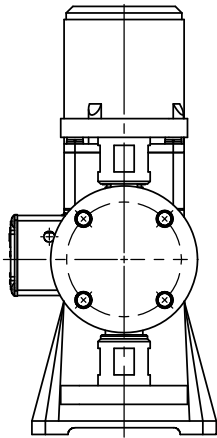
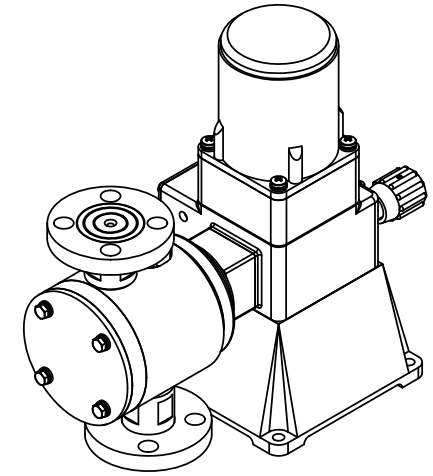
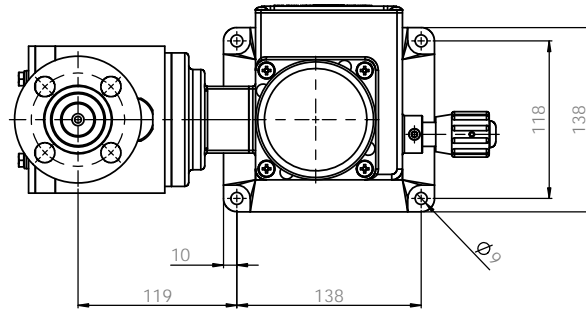
PUMP ASSEMBLY-DIM		EWS500PCFD-KS 10K 15A FF		A1	
DRAWN: W. PARK		DATE: 2020.02.21		SCALE: 1:1	
CHECK: W. PARK		DATE: 2020.02.21		SHEET: 1 OF 1	
APPROV: S.C. KIM		DATE: 2020.02.21		MATERIAL: PVC	
DESIGNER: S.C. KIM		DATE: 2020.02.21		DRAWING NO: A1000E1020A	
CHECKER: W. PARK		DATE: 2020.02.21		EQUIP: 1000E1020A	
DRAWING NO: A1000E1020A		DATE: 2020.02.21		SHEET: 1 OF 1	



Note

1. Model : EWS500
2. Material : PTFE
3. Connection : Hose
4. Drain valve : N/A

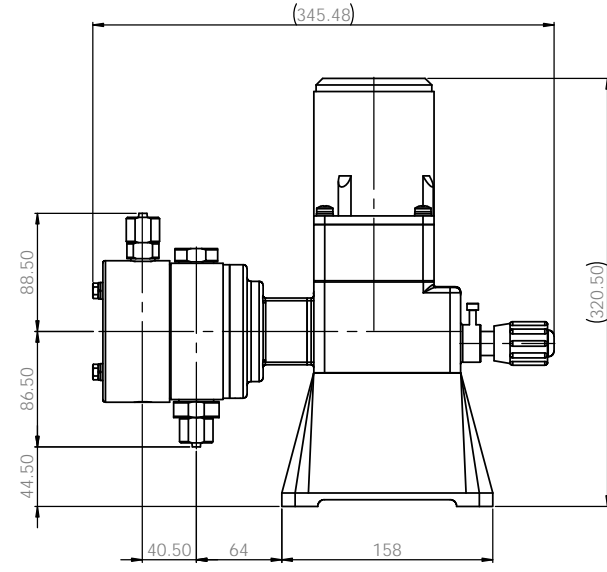
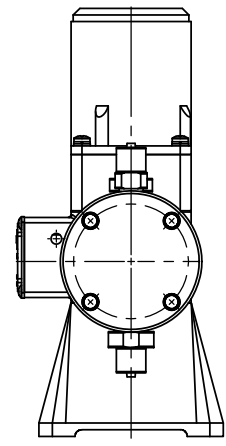
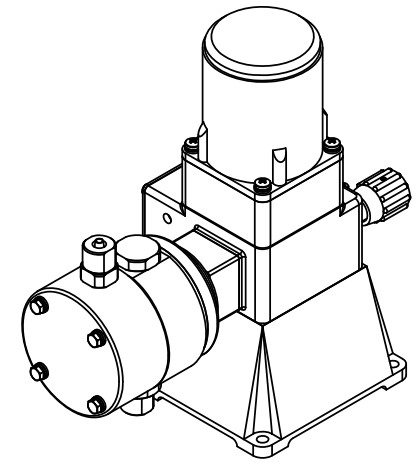
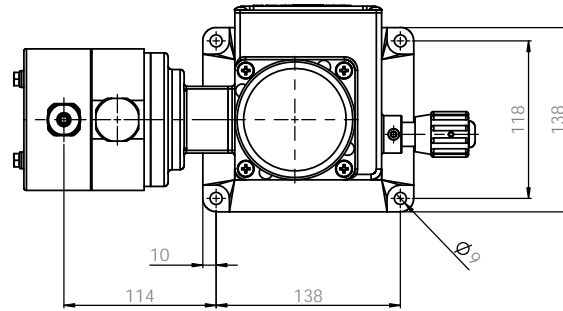
ALL DIMENSIONS SPECIFIED UNLESS OTHERWISE SPECIFIED DIMENSIONS ARE IN MILLIMETERS TOLERANCES: FINISH: ANGULAR		FINISH: BRASS AND BRASS SHARP ENDS	DO NOT SCALE DRAWING REVISION
DRAWN: W. PARK CHECK: W. PARK APPROV: S.C. KIM DATE: 2020.02.21 DATE: 2020.02.21 DATE: 2020.02.22		DESIGNER: DATE: DATE: DATE:	E-WHA CHEMICAL FEEDER CO., LTD. PUMP ASSEMBLY-DIM EWS500TCH-H06
Dwg. No. A1004E1017A		Material: PTFE	Scale: 1:1 Sheet: 1 of 1



Note

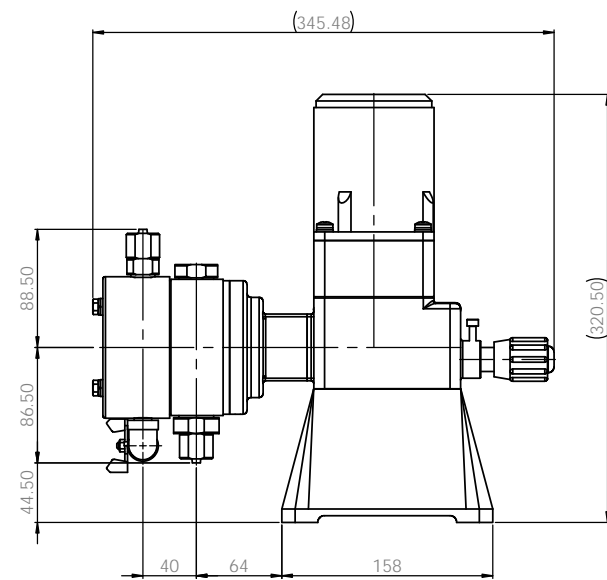
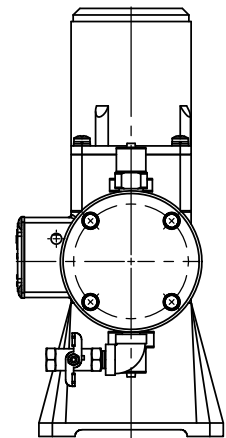
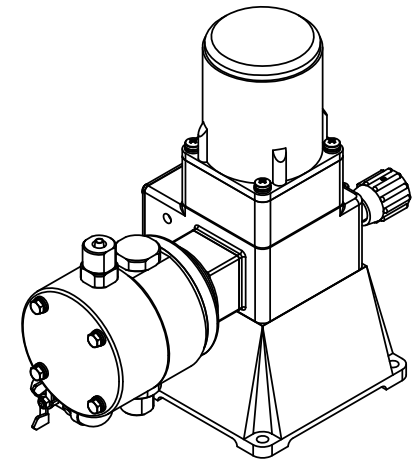
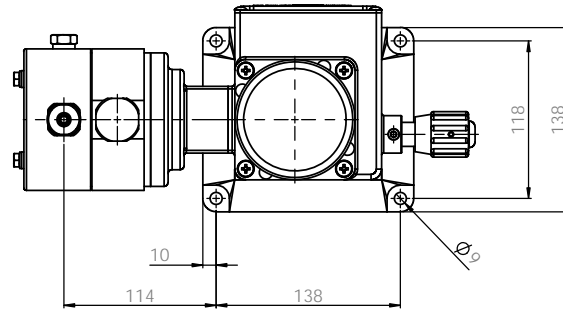
1. Model : EWS500
2. Material : PTFE
3. Connection : Flange
4. Drain valve : N/A

ALL DIMENSIONS SPECIFIED UNLESS OTHERWISE SPECIFIED DIMENSIONS ARE IN MILLIMETERS TOLERANCES: FINISH: ANGULAR		FINISH: BRASS AND BRONZE SHARP EDGES	DO NOT SCALE DRAWING REVISION
DRAWN: W. PARK CHECK: W. PARK APPROV: S.C. KIM DATE: 2020.02.21 DATE: 2020.02.21 DATE: 2020.02.22	DESIGNED: DRAWN: CHECKED: DATE:	MATERIAL: PTFE	E-WHA CHEMICAL FEEDER CO., LTD. PUMP ASSEMBLY-DIM EWS500TCF-KS 10K 15A FF A1004E1019A A1



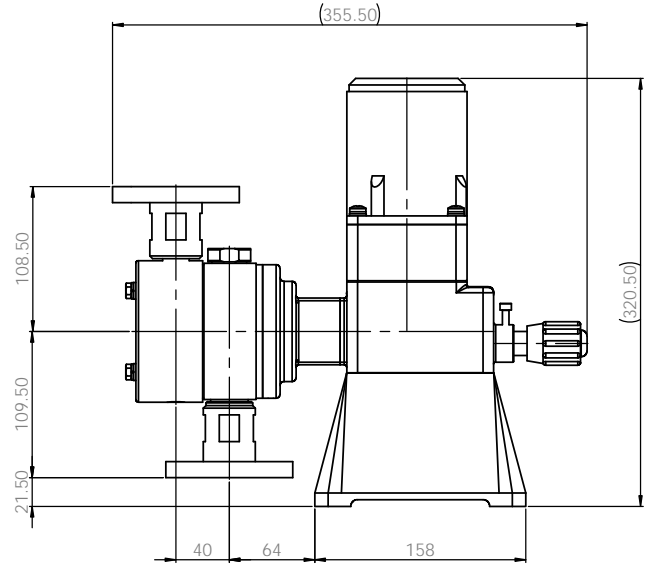
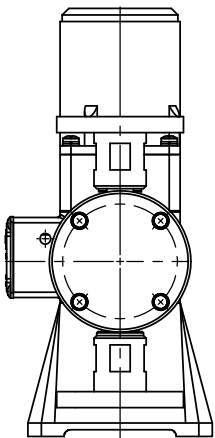
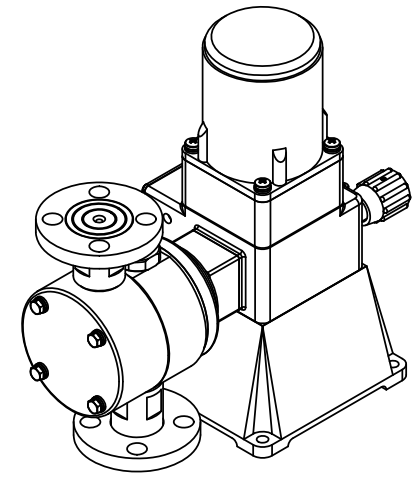
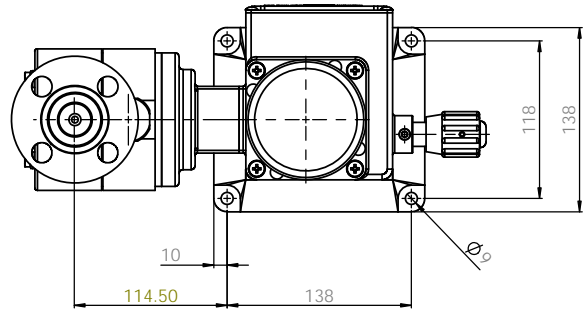
Note
 1. Model : EWS500
 2. Material : Stainless steel
 3. Connection : Hose
 4. Drain valve : Not installed

ALL DIMENSIONS SPECIFIED UNLESS OTHERWISE SPECIFIED DIMENSIONS ARE IN MILLIMETERS TOLERANCES: FRACTIONS DECIMALS ANGULARS			FINISH BRASS AND BRASS SHARP ENDS	DO NOT SCALE DRAWING REVISION
DRAWN W. PARK 2020.02.21	CHECKED W. PARK 2020.02.21	DATE 2020.02.21	DESIGNED S.C. KIM 2020.02.21	TITLE PUMP ASSEMBLY-DIM EWS500S4S4H-H06
MATERIAL SUS304			DWG. NO. A1301E1017A	SHEET NO. A1
SCALE 1:1			SHEET 1 OF 1	E-WHA CHEMICAL FEEDER CO., LTD.



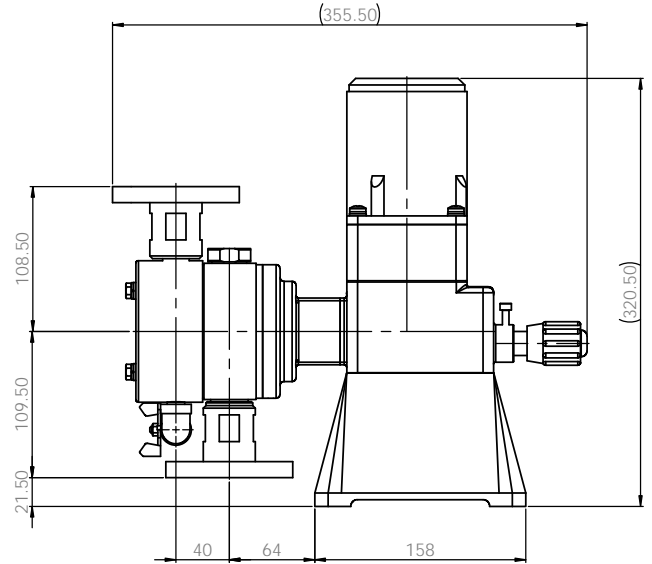
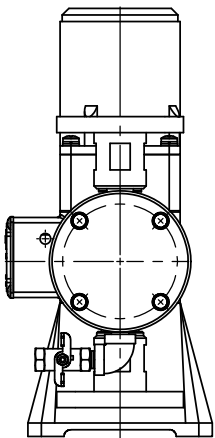
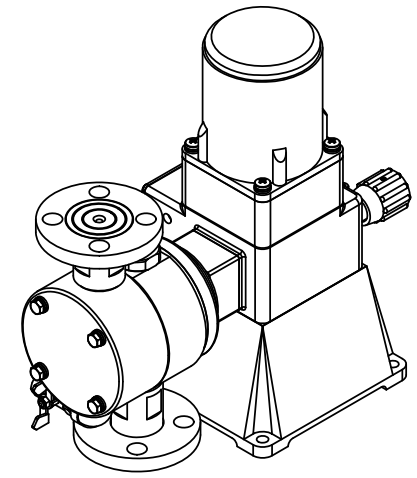
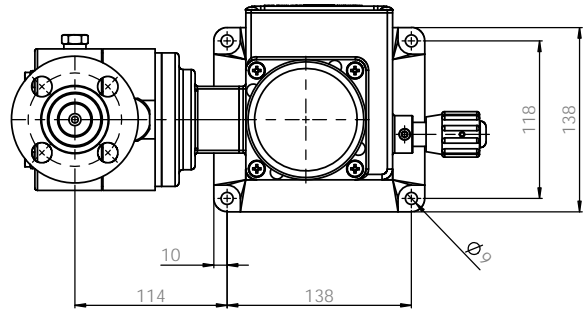
Note
 1. Model : EWS500
 2. Material : Stainless steel
 3. Connection : Hose
 4. Drain valve : Installed

ALL DIMENSIONS SPECIFIED UNLESS OTHERWISE SPECIFIED DIMENSIONS ARE IN MILLIMETERS TOLERANCES : FINISH : ANGULAR :			FINISH : BRUSH BRUSH GRAB : POLISH	DO NOT SCALE DRAWING REVISION :
DRAWN : W. PARK CHECK : W. PARK APPROV : S.C. KIM DATE : 2020.02.21 DATE : 2020.02.21 DATE : 2020.02.21	DESIGNED : DRAWN : CHECKED : DATE :	MATERIAL : SUS304	DWG. NO. : A1301E1018A	SHEET : 1 OF 1



Note
 1. Model : EWS500
 2. Material : Stainless steel
 3. Connection : Flange
 4. Drain valve : Not installed

ALL DIMENSIONS SPECIFIED UNLESS OTHERWISE SPECIFIED DIMENSIONS ARE IN MILLIMETERS TOLERANCES: FINISH: ANGULAR			FINISH: BRUSH BRUSH GRAB POLISH			DO NOT SCALE DRAWING REVISION	
DRAWN: W. PARK CHECK: W. PARK APPROV: S.C. KIM DATE: 2020.02.21 DATE: 2020.02.21 DATE: 2020.02.21	DESIGNED: DRAWN: CHECKED: DATE:	EWS500	MATERIAL: SUS304	DIMENSION: A1301E1019A	SHEET NO.: A1	E-WHA CHEMICAL FEEDER CO., LTD. PUMP ASSEMBLY-DIM EWS500S4S4F-KS 10K 15A FF	
SCALE: 1:1			SHEET 1 OF 1				



Note

1. Model : EWS500
2. Material : Stainless steel
3. Connection : Flange
4. Drain valve : Installed

ALL DIMENSIONS SPECIFIED UNLESS OTHERWISE SPECIFIED DIMENSIONS ARE IN MILLIMETERS TOLERANCES: FRACTIONS DECIMALS ANGULAR		FINISH BRASS AND BRASS SHARP POLISH	DO NOT SCALE DRAWING REVISION
DRAWN: W. PARK CHECK: W. PARK APPROV: S.C. KIM DATE: 2020.02.21 DATE: 2020.02.21 DATE: 2020.02.22		EWS500 EWS500S4S4FD-KS 10K 15A FF	E-WHA CHEMICAL FEEDER CO., LTD. PUMP ASSEMBLY-DIM EWS500S4S4FD-KS 10K 15A FF
Dwg. No. A1301E1020A Scale 1:1 Sheet 1 of 1		Material: SUS304 Dwg. No. A1301E1020A Scale 1:1 Sheet 1 of 1	A1