

Note
 1. Model : JM10L
 2. Material : PP / PVDF
 3. Connection : Flange
 4. Drain valve : Not installed

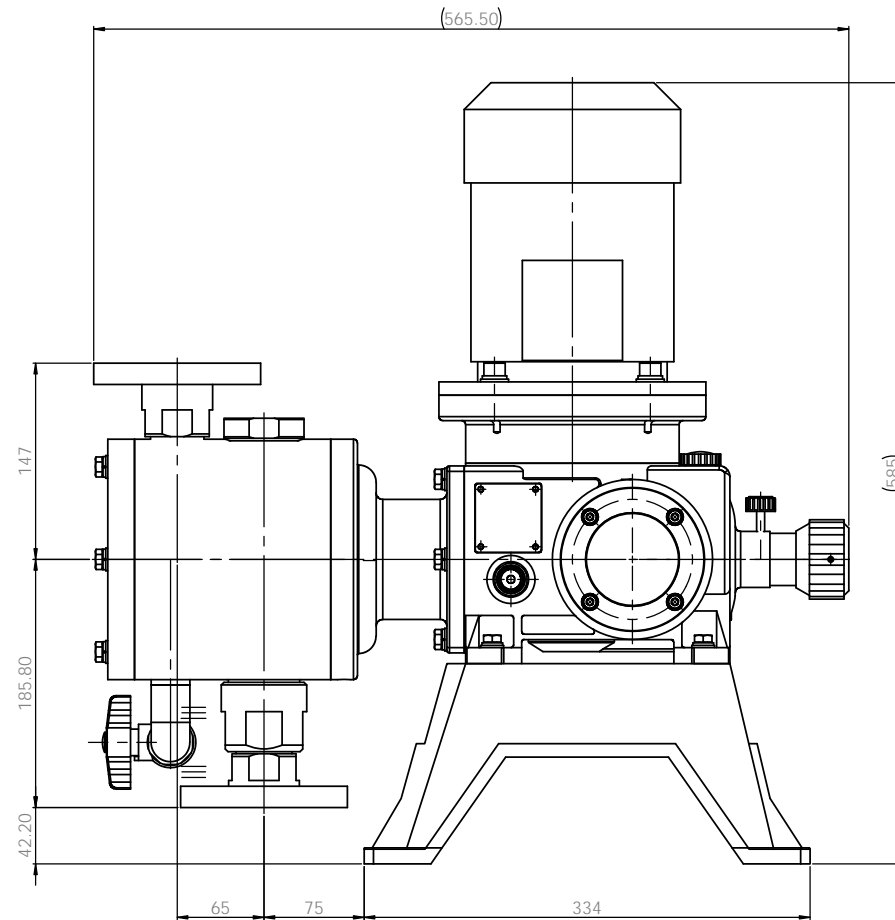
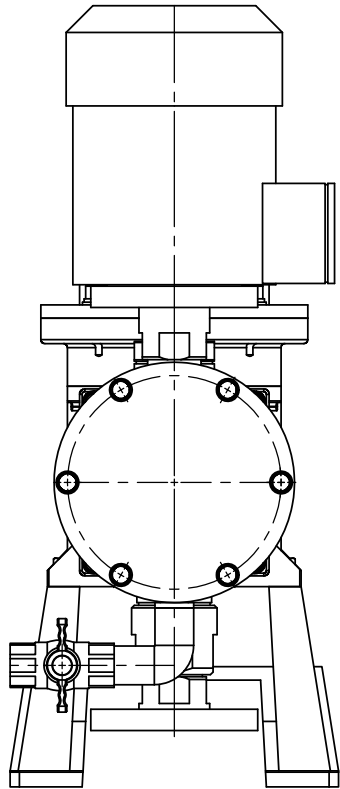
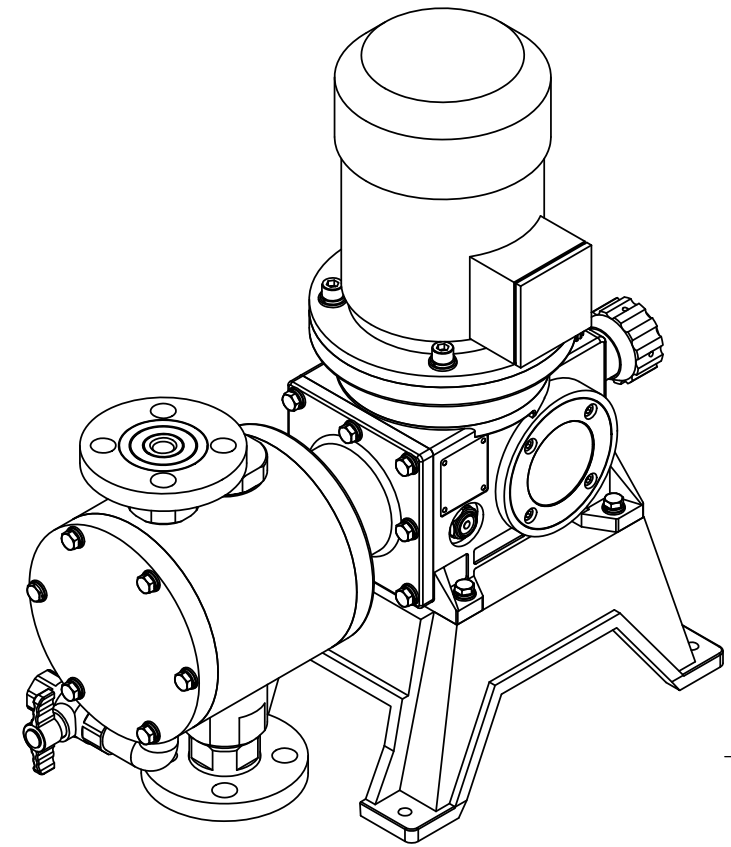
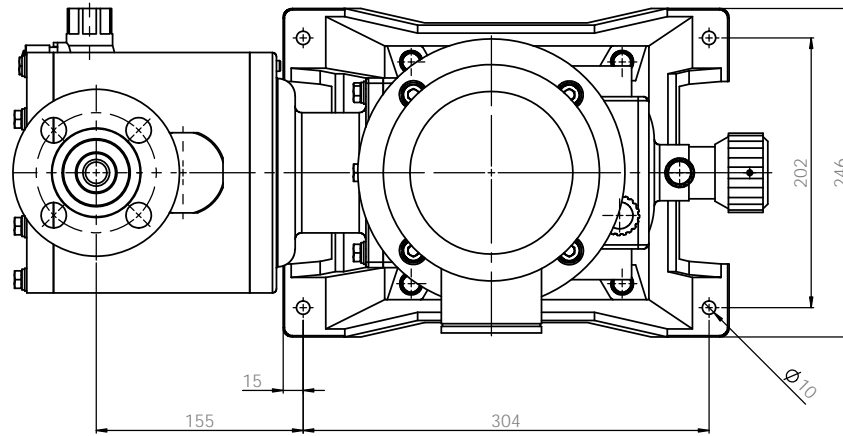
PUMP ASSEMBLY-DIM				DO NOT SCALE DRAWING		REVISION	
DATE	SCALE	REV.	BY	DATE	SCALE	REV.	BY
2020.02.21							
2020.02.21							
2020.02.21							
MATERIAL: PVC				DRAWING NO: N1000E1051A		SHEET 1 OF 1	

E-WHA CHEMICAL FEEDER CO., LTD.

PUMP ASSEMBLY-DIM
 JM10LPCF-KS 10K 25A FF

MATERIAL: PVC

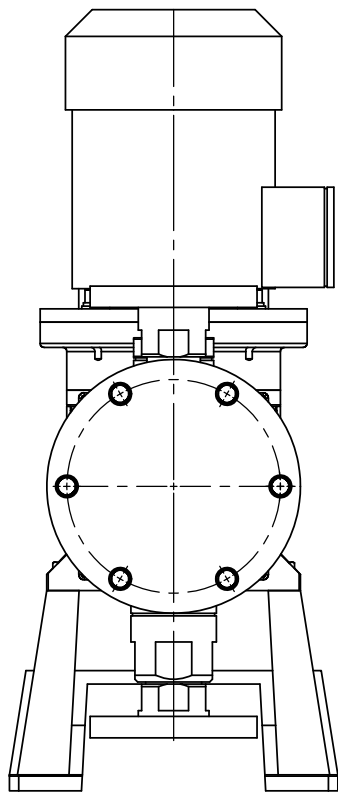
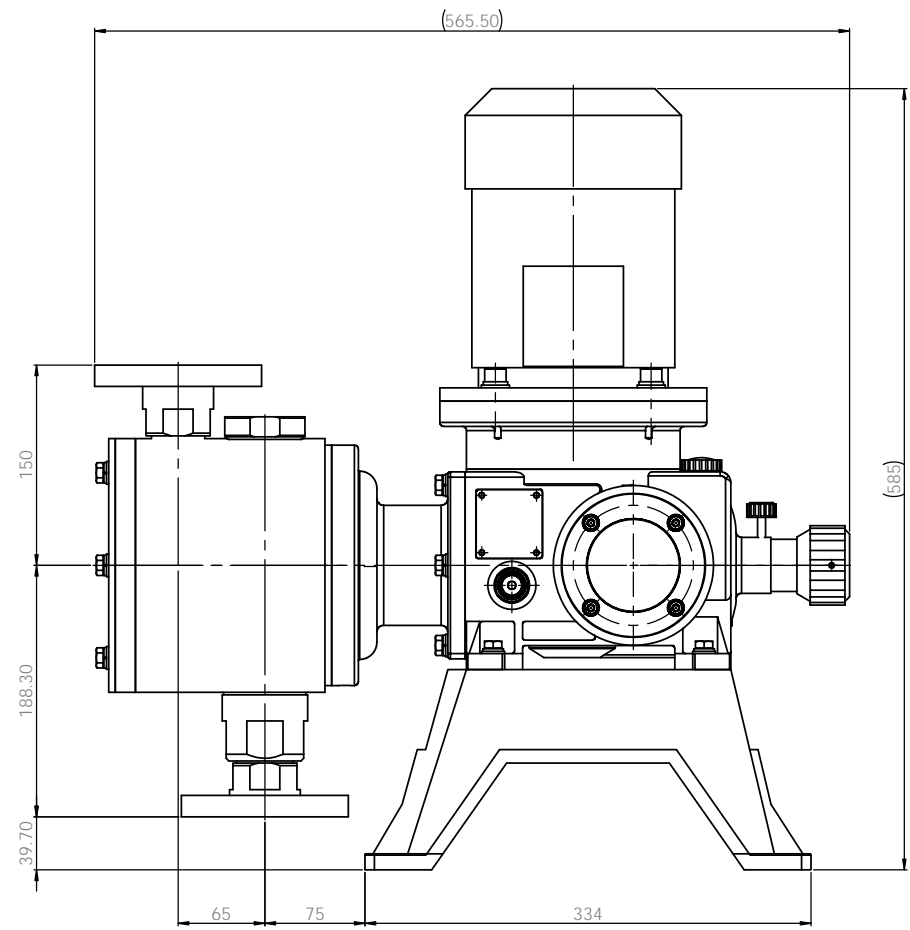
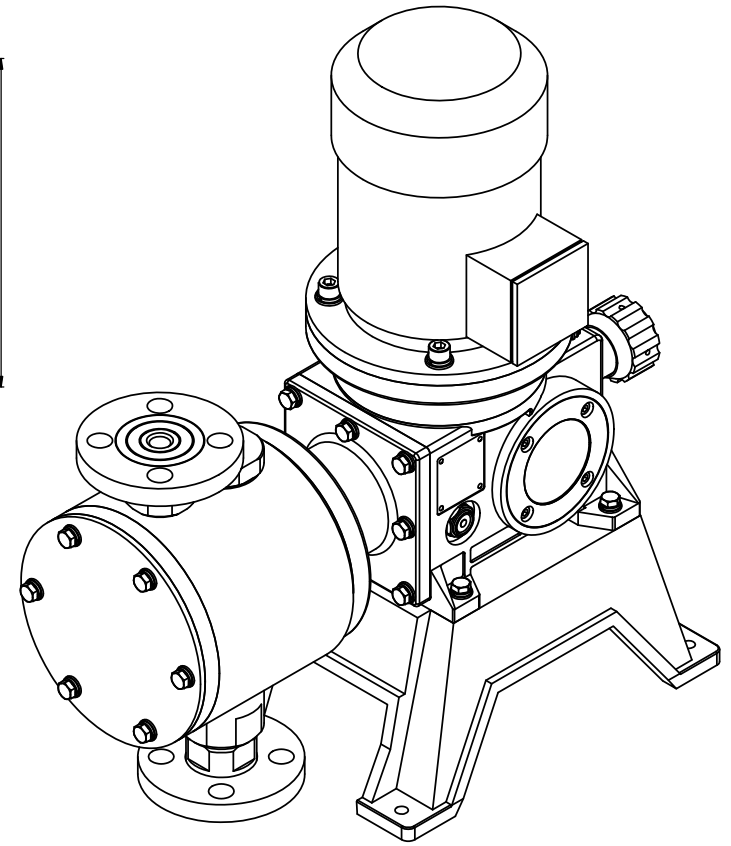
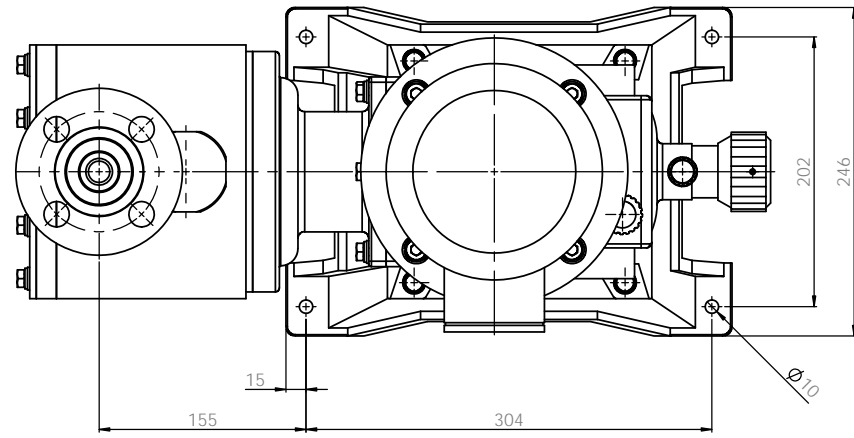
DWG. NO: N1000E1051A



Note

1. Model : JM10L
2. Material : PP
3. Connection : Flange
4. Drain valve : Installed

ALL DIMENSIONS SPECIFIED UNLESS OTHERWISE SPECIFIED DIMENSIONS ARE IN MILLIMETERS TOLERANCES: FINISH: ANGULAR				FINISH AND BREAK SHARP EDGES	DO NOT SCALE DRAWING	REVISION
DRAWN: W. PARK CHECK: W. PARK APPROV: S.C. KIM DATE: 2020.02.21 DATE: 2020.02.21 DATE: 2020.02.21	NAME: PUMP DESIGNED: W. PARK DATE: 2020.02.21	E-WHA CHEMICAL FEEDER CO., LTD. PUMP ASSEMBLY-DIM JM10LPCFD-KS 10K 25A FF	DRAWING NO. N1000E1052A	MATERIAL: PVC	SHEET NO. A1	SCALE: 1:1 SHEET 1 OF 1



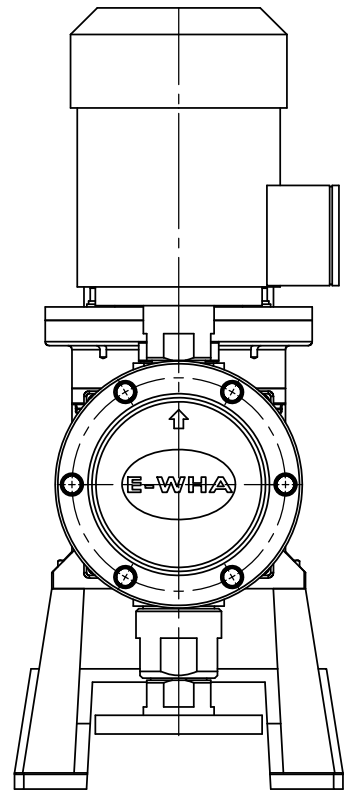
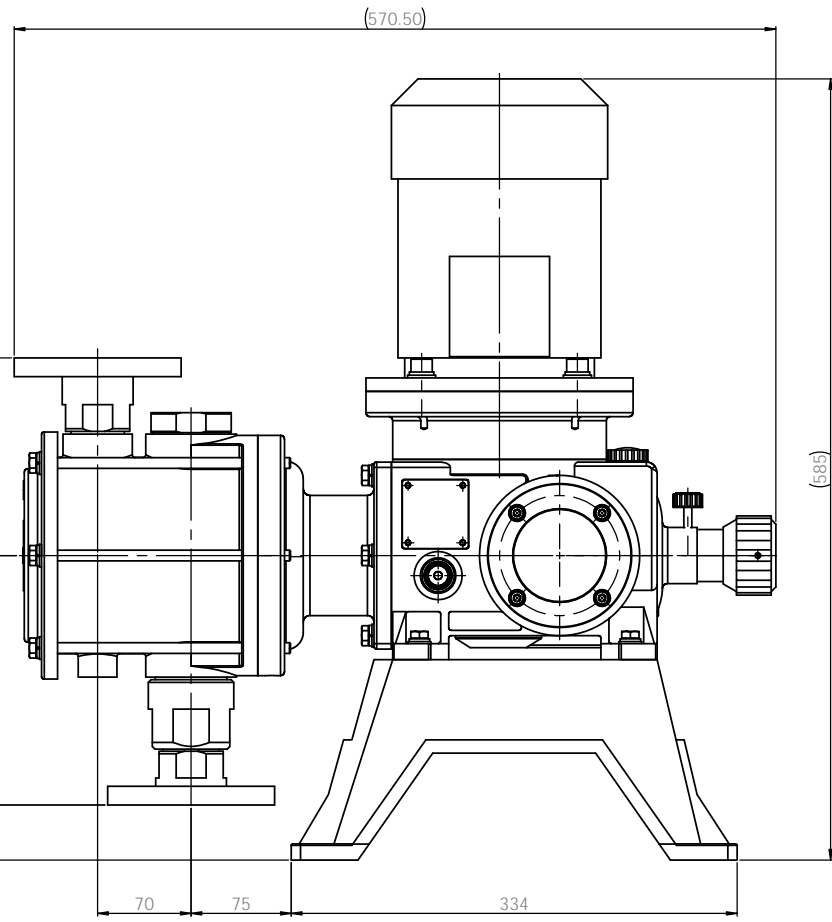
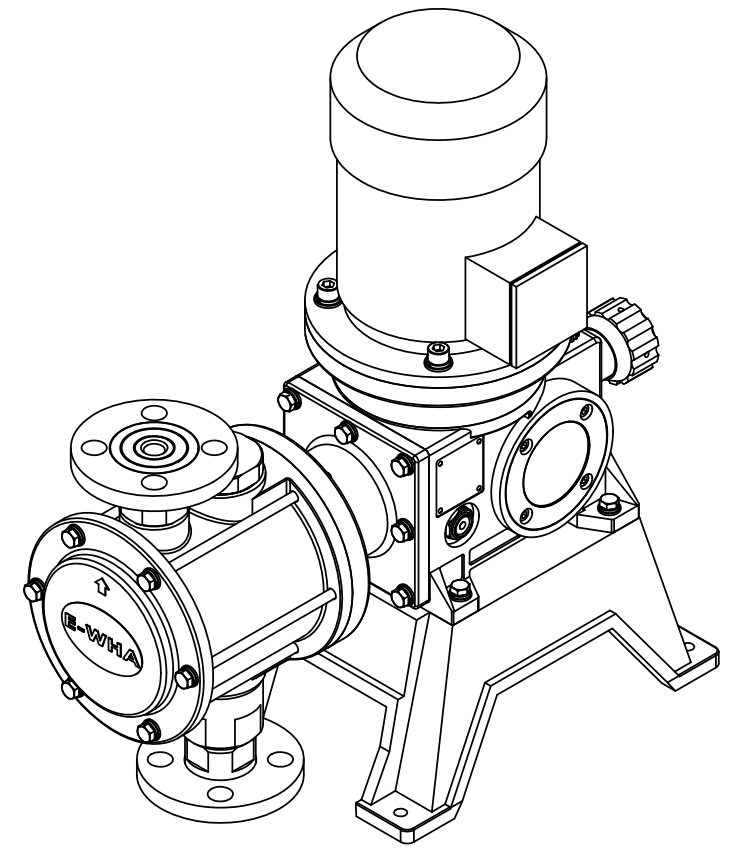
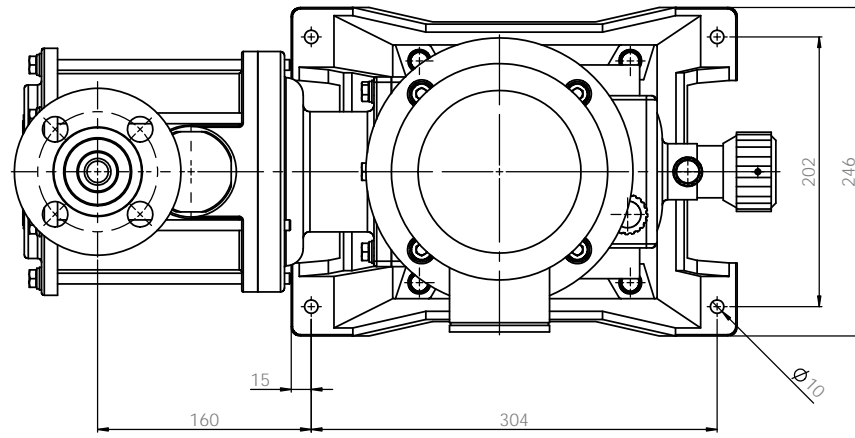
Note
 1. Model : JM10L
 2. Material : PTFE
 3. Connection : Flange
 4. Drain valve : N / A

PUMP ASSEMBLY SPECIFIED DIMENSIONS ARE IN MILLIMETERS UNLESS OTHERWISE SPECIFIED				FINISH		SURFACE AND BEVEL SHARP EDGES		DO NOT SCALE DRAWING		REVISION	
DATE	BY	CHKD	APPVD	DATE	DATE	DATE	DATE	NO.	DESCRIPTION	DATE	BY
2024.02.21	W. PARK										
2024.02.21	W. PARK										
2024.02.21	S.C. KIM										
				MATERIAL		PTFE		DIMC NO.		N1004E1051A	
				SCALE		1:1		SHEET		1 OF 1	

E-WHA CHEMICAL FEEDER CO., LTD.

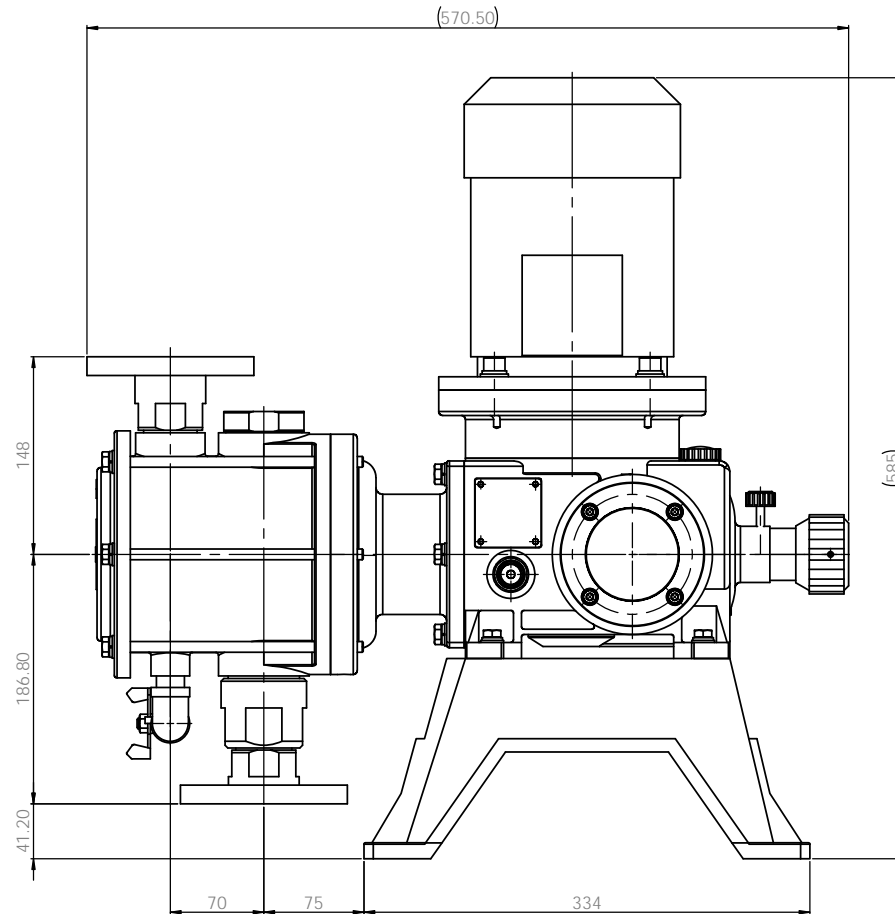
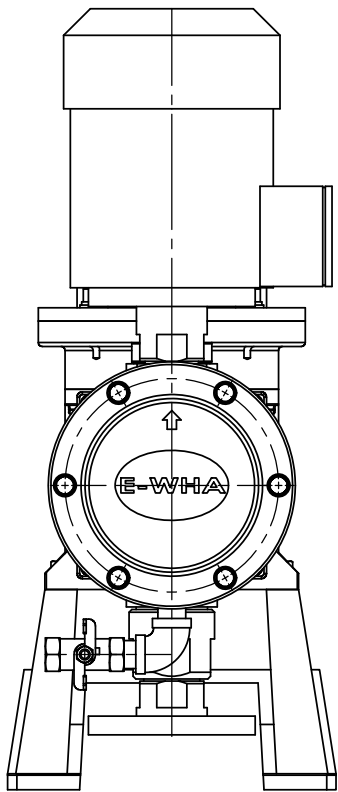
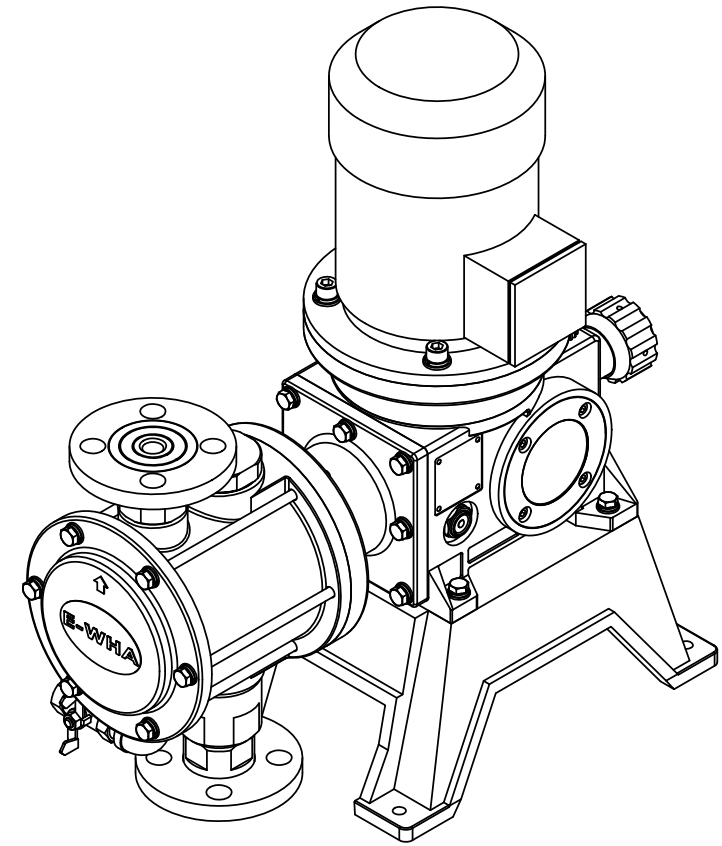
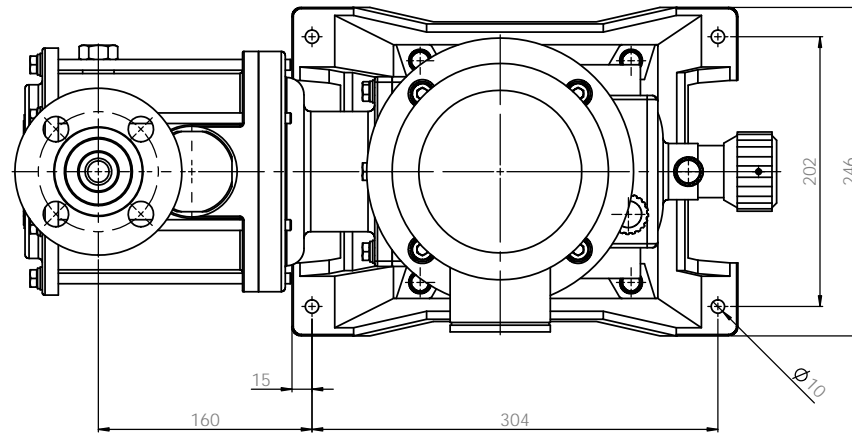
PUMP ASSEMBLY-DIM
 JM10LTCF-KS 10K 25A FF

A1



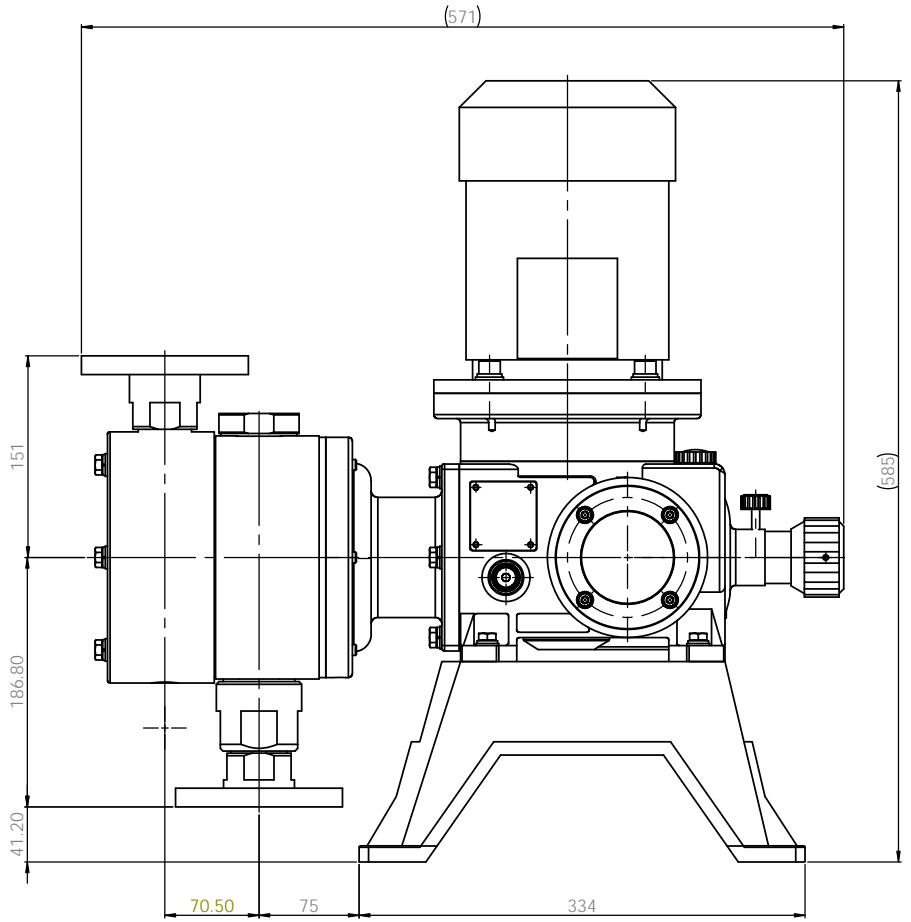
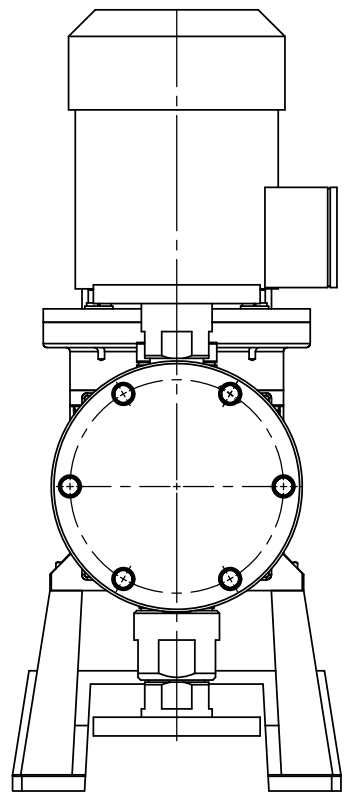
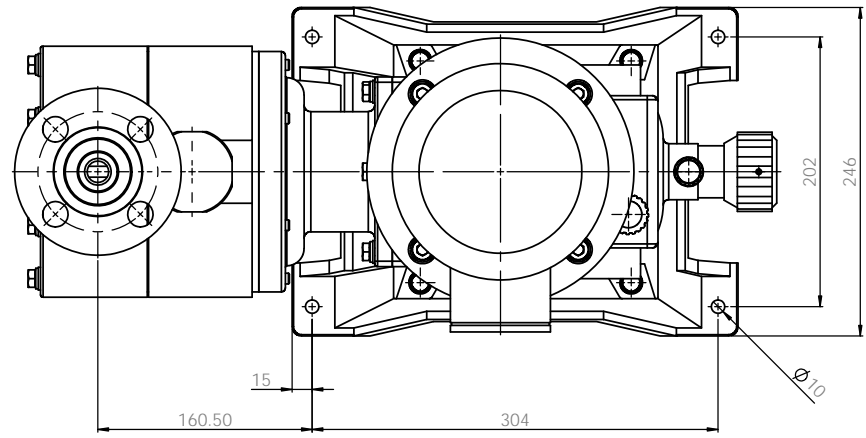
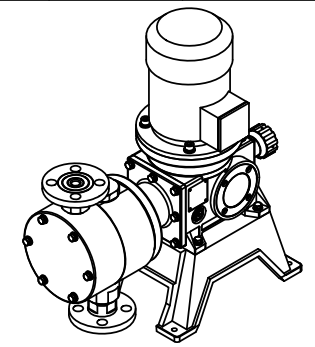
Note
 1. Model : JM10L
 2. Material : Stainless steel(Cast)
 3. Connection : Flange
 4. Drain valve : Not installed

ALL DIMENSIONS SPECIFIED IN MILLIMETERS UNLESS OTHERWISE SPECIFIED				FINISH		SCALE AND BREAK SHARP EDGES		DO NOT SCALE DRAWING		REVISION	
TOLERANCES UNLESS OTHERWISE SPECIFIED				DIMENSIONS ARE IN MILLIMETERS						E-WHA CHEMICAL FEEDER CO., LTD.	
FINISH				DIMENSIONS ARE IN MILLIMETERS						REV.	
DRAWN				DATE						PUMP ASSEMBLY-DIM	
CHECKED				DATE						JM10LS4S4F-KS 10K 25A FF	
APPROVED				DATE						MATERIAL	
DESIGNED				DATE						SUS304	
DRAFTER				DATE						DWG. NO.	
				DATE						N1201E1051A	
				DATE						SCALE 1:1	
				DATE						SHEET 1 OF 1	



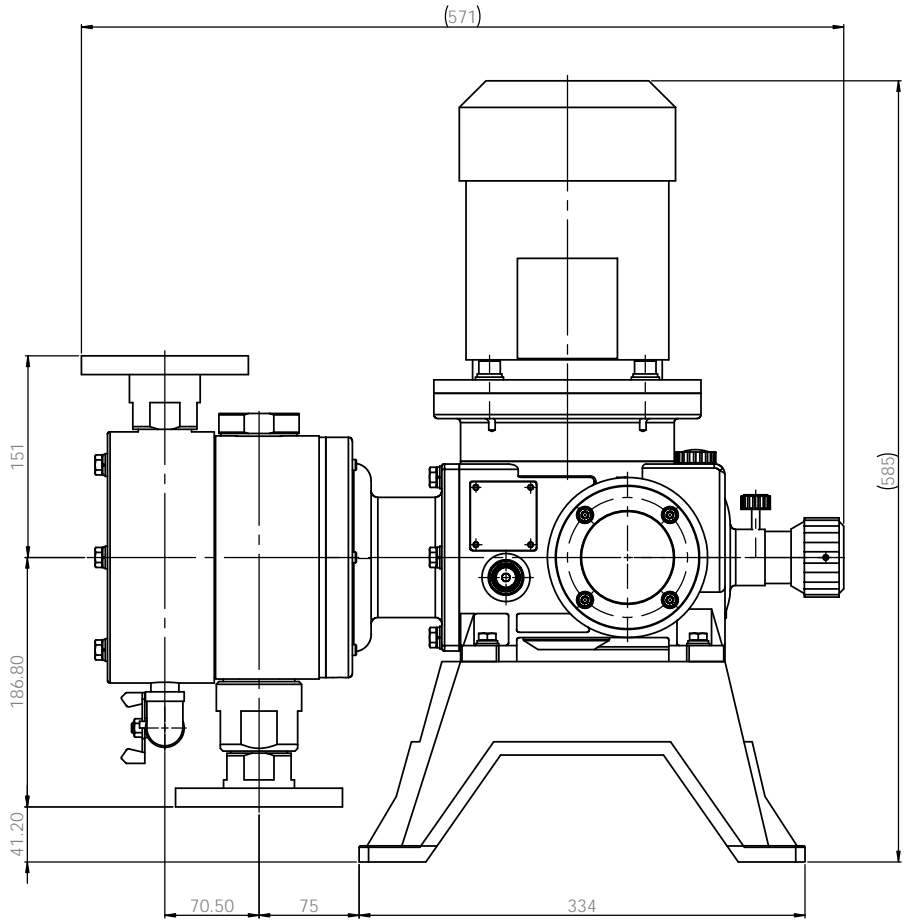
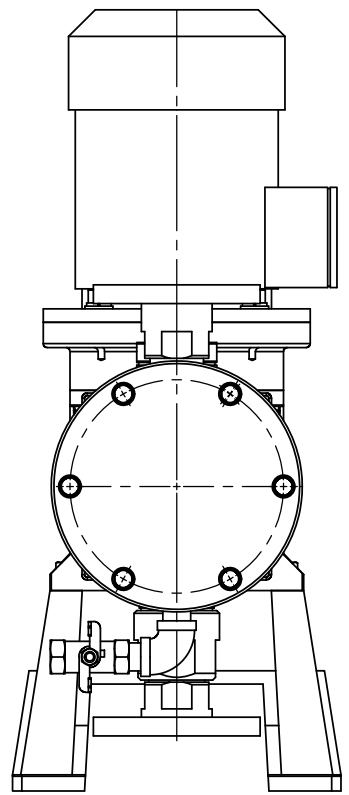
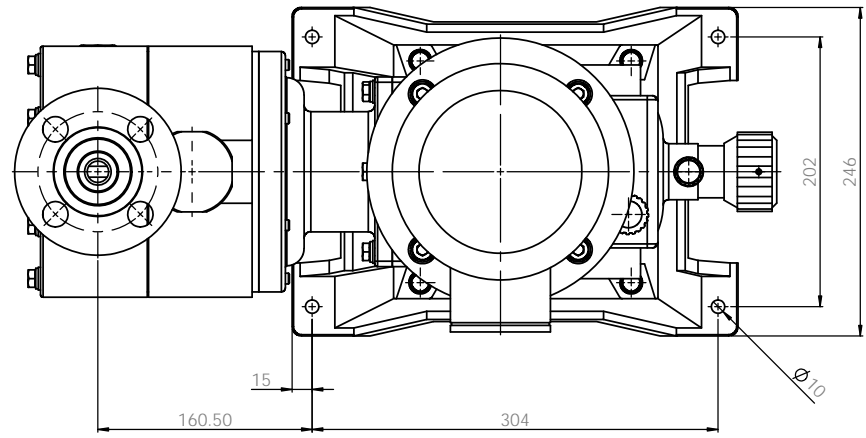
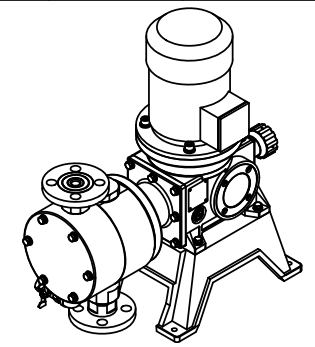
Note
 1. Model : JM10L
 2. Material : Stainless steel(Cast)
 3. Connection : Flange
 4. Drain valve : Installed

ALL DIMENSIONS SPECIFIED UNLESS OTHERWISE SPECIFIED DIMENSIONS ARE IN MILLIMETERS TOLERANCES: FINISH: ANGULAR:				FINISH: BRUSH BRUSH GRAB POLISH	DO NOT SCALE DRAWING REVISION:
DRAWN: W. PAKK CHECKED: W. PAKK APPROVED: S.C. KHA DATE: 2020.02.21 2020.02.21 2020.02.21	DATE: 2020.02.21	MATERIAL: SUS304	DIMENSION: N1201E1052A	SHEET NO: A1	E-WHA CHEMICAL FEEDER CO., LTD. PUMP ASSEMBLY-DIM JM10LS4S4FD-KS 10K 25A FF



Note
 1. Model : JM10L
 2. Material : Stainless steel
 3. Connection : Flange
 4. Drain valve : Not installed

PUMP ASSEMBLY-SPECIFIED DIMENSIONS ARE IN MILLIMETERS UNLESS OTHERWISE SPECIFIED		DO NOT SCALE DRAWING		REVISION
DATE	SCALE	DATE	SCALE	NO.
2020.02.21				
2020.02.21				
2020.02.21				
MATERIAL: SUS304		DWG NO: N1301E1051A		A1
E-WHA CHEMICAL FEEDER CO., LTD.		SCALE 1:1		SHEET 1 OF 1



Note
 1. Model : JM10L
 2. Material : Stainless steel
 3. Connection : Flange
 4. Drain valve : Installed

ALL DIMENSIONS SPECIFIED DIMENSIONS ARE IN MILLIMETERS UNLESS OTHERWISE SPECIFIED UNLESS INDICATED UNLESS INDICATED UNLESS INDICATED			FINISH BRASS AND BRASS SHARP EDGE	DO NOT SCALE DRAWING REVISION
DRAWN W. PARK DATE 2020.02.21	CHECKED W. PARK DATE 2020.02.21	DESIGNED S.C. KIM DATE 2020.02.21	MATERIAL SUS304	E-WHA CHEMICAL FEEDER CO., LTD. PUMP ASSEMBLY-DIM JM10LS4S4FD-KS 10K 25A FF DWG. NO. N1301E1052A
SCALE 1:1			SHEET 1 OF 1	A1