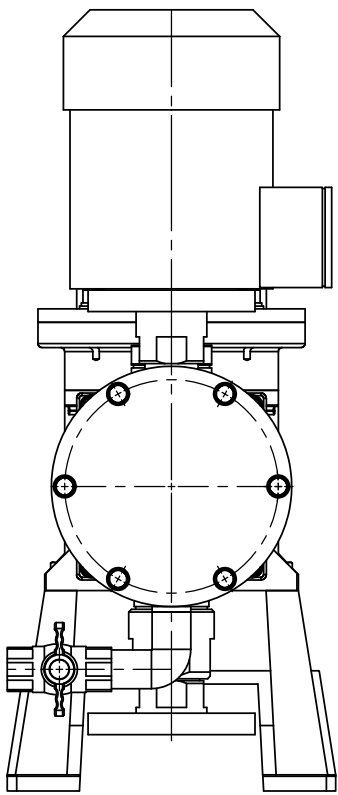
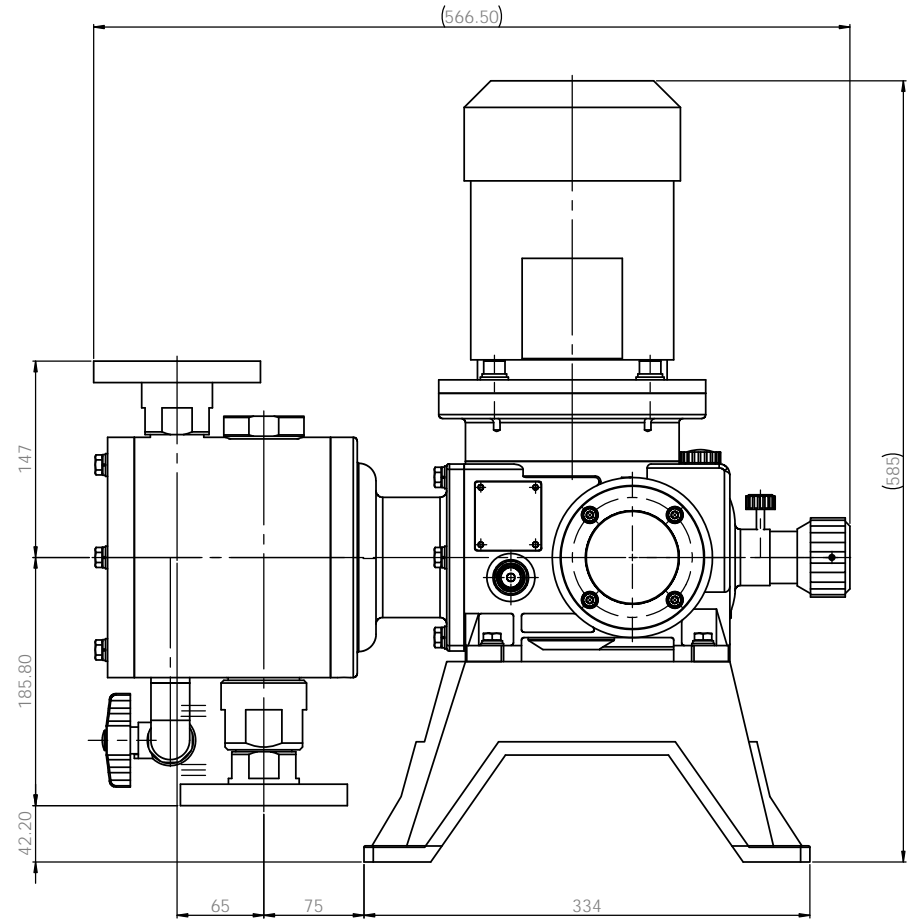
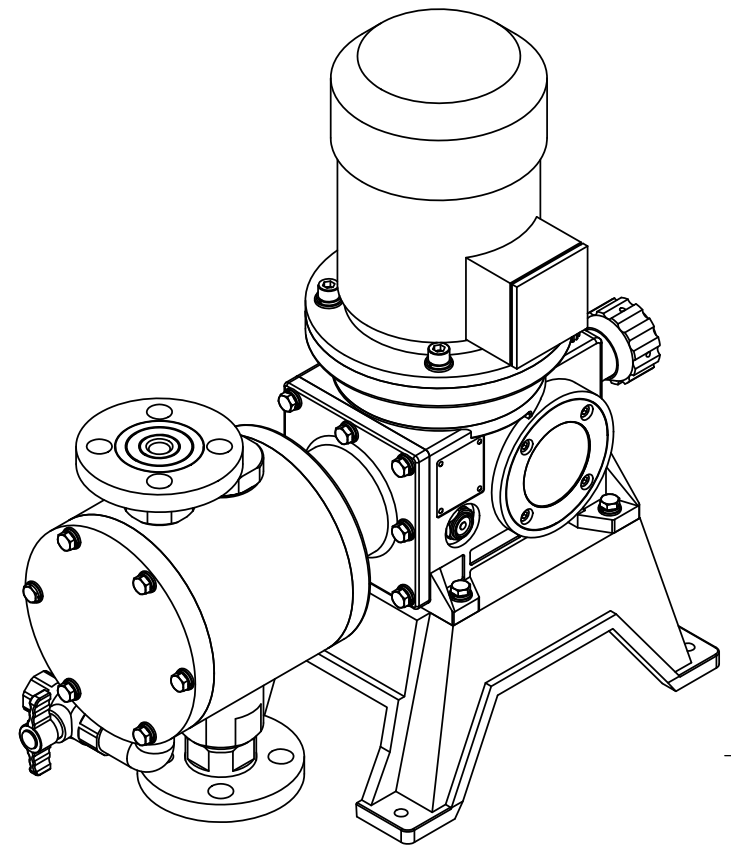
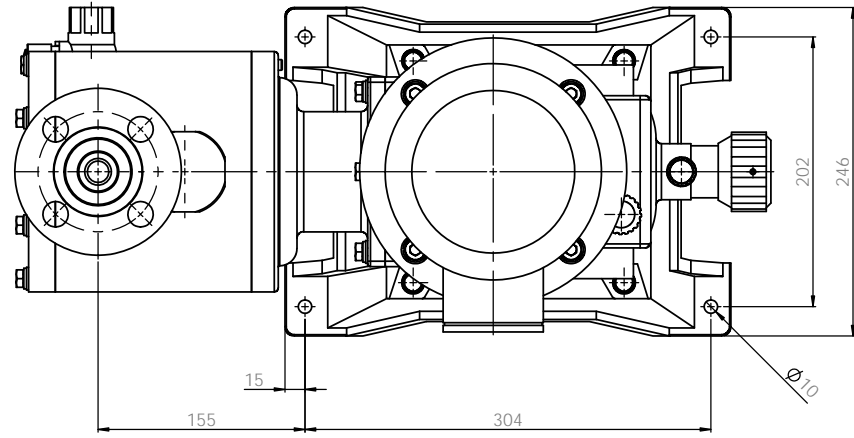


Note

1. Model : JM14L
2. Material : PP / PVDF
3. Connection : Flange
4. Drain valve : Not installed

ALL DIMENSIONS SPECIFIED UNLESS OTHERWISE SPECIFIED DIMENSIONS ARE IN MILLIMETERS TOLERANCES: FINISH: ANGULAR				FINISH: BRASS SHARP STEEL	DO NOT SCALE DRAWING REVISION
DRAWN: W. PARK CHECK: W. PARK APPROV: S.C. KIM DATE: 2020.02.21 DATE: 2020.02.21 DATE: 2020.02.21	MODEL: JCM14L05 DATE:	TITLE: PUMP ASSEMBLY-DIM JM14LPCF-KS 10K 25A FF	MATERIAL: PVC	DIMC NO: N1000E1055A	SHEET NO: A1



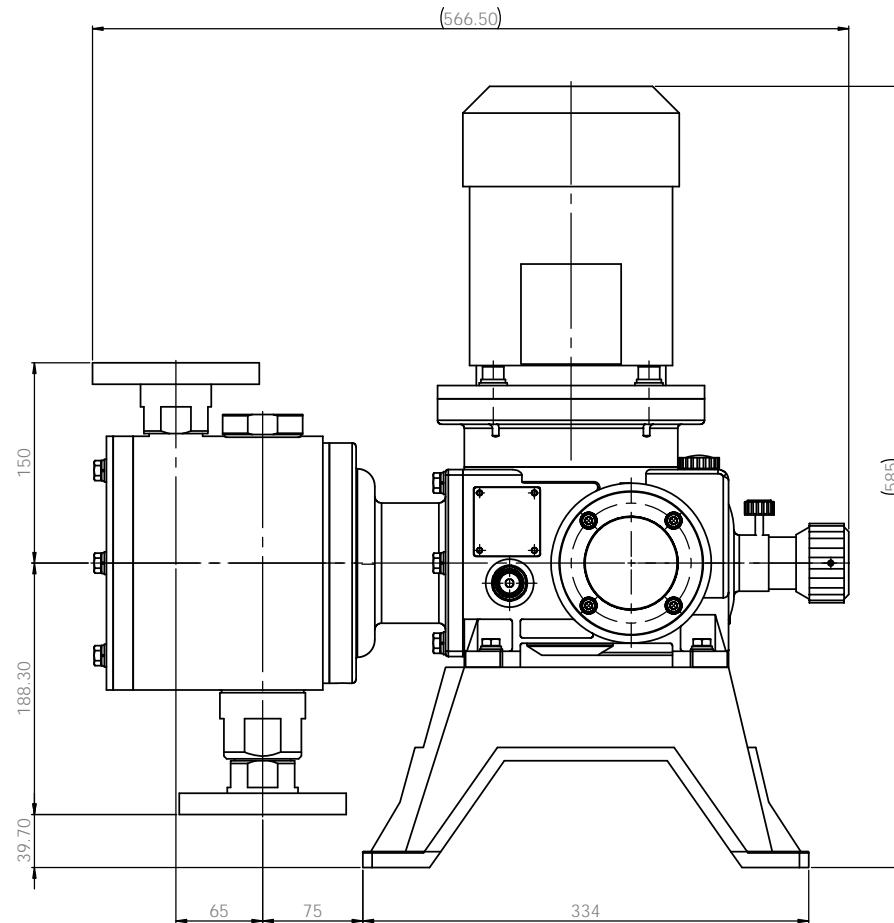
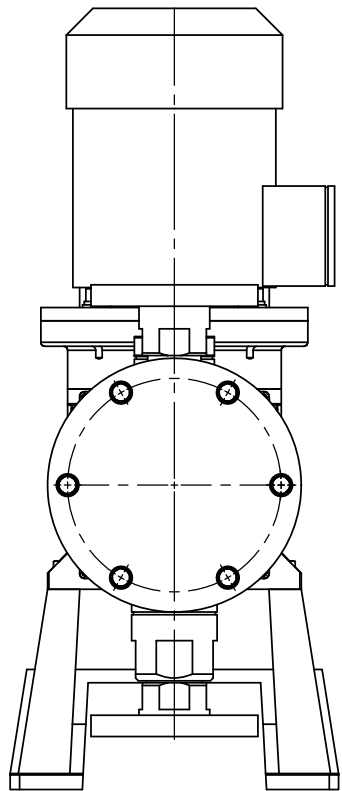
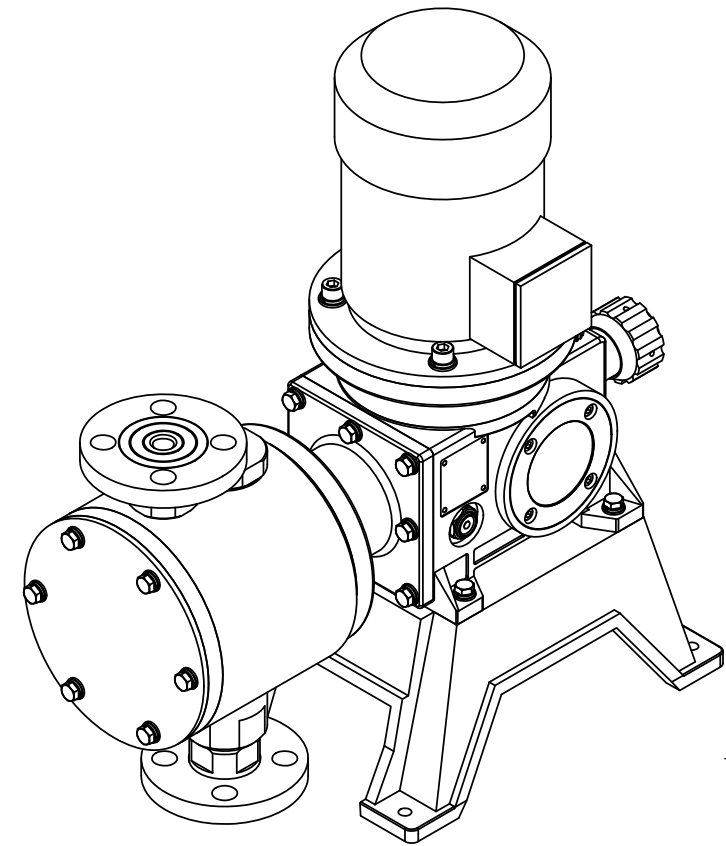
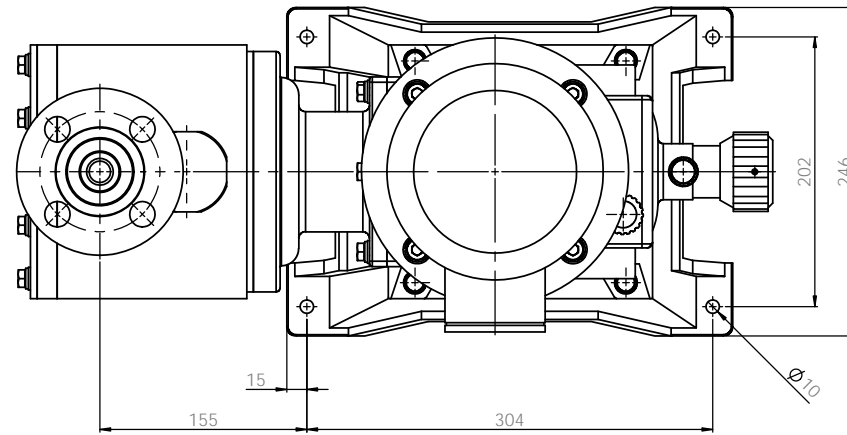
Note

1. Model : JM14L
2. Material : PP
3. Connection : Flange
4. Drain valve : Installed

PUMP ASSEMBLY SPECIFIED DIMENSIONS ARE IN MILLIMETERS TOLERANCES: FRACTIONS DECIMALS ANGLES		FINISH	SCALE AND BLOCK SHARP EDGE		DO NOT SCALE DRAWING	REVISION
DATE	BY	DATE	BY	DATE	BY	DATE
2024.02.21		2024.02.21		2024.02.21		
2024.02.21		2024.02.21		2024.02.21		
MATERIAL			SPEC. NO.		A1	
PVC			N1000E1056A			
SCALE 1:1			SHEET 1 OF 1			

E-WHA CHEMICAL FEEDER CO., LTD.

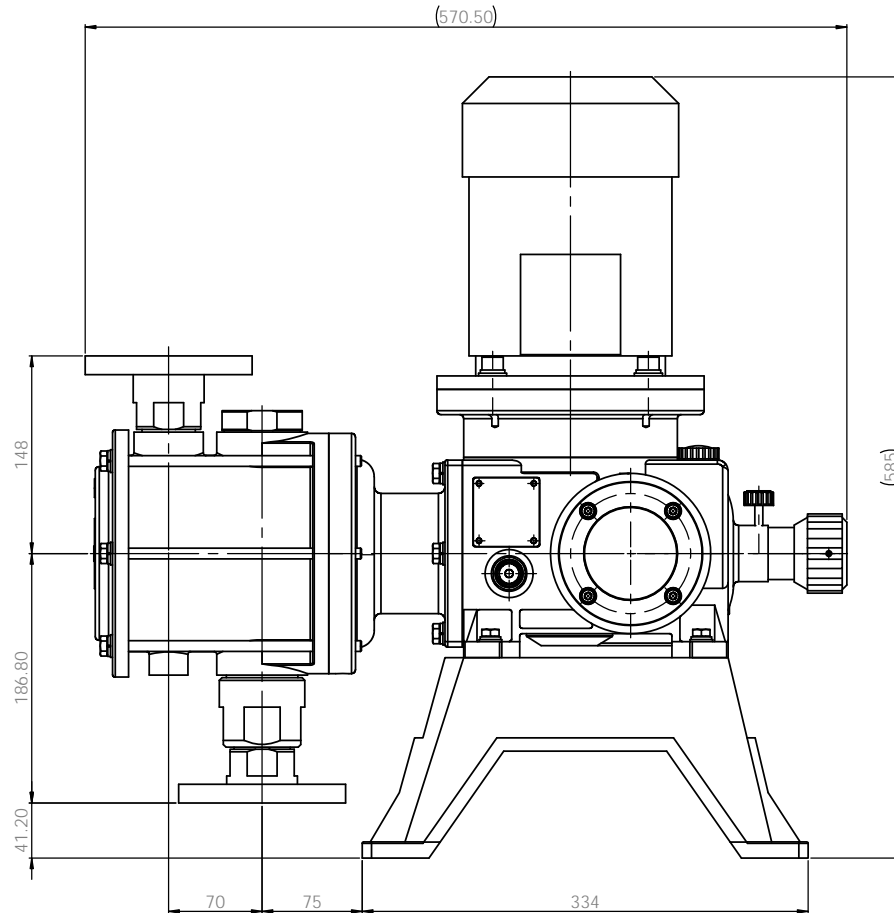
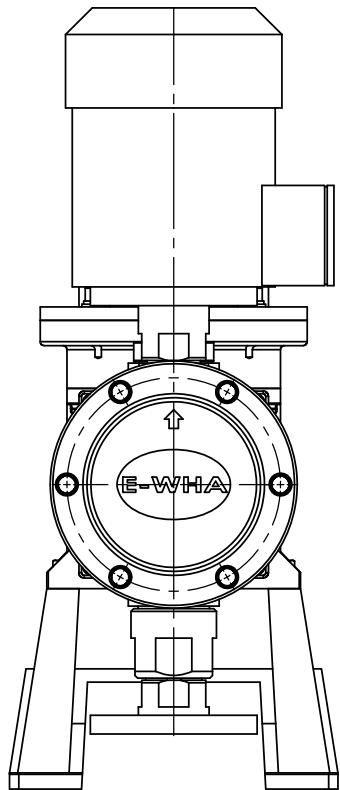
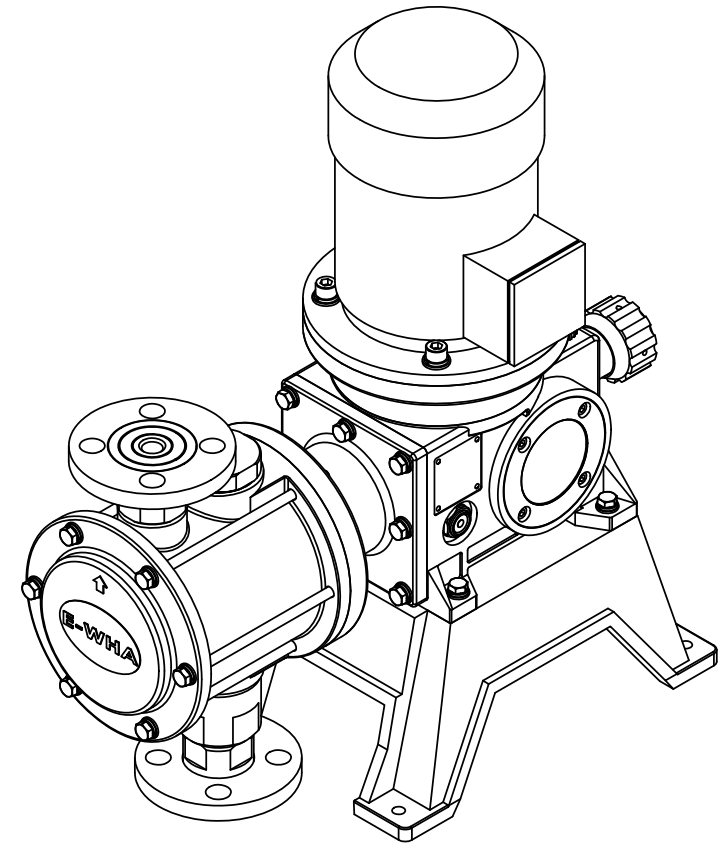
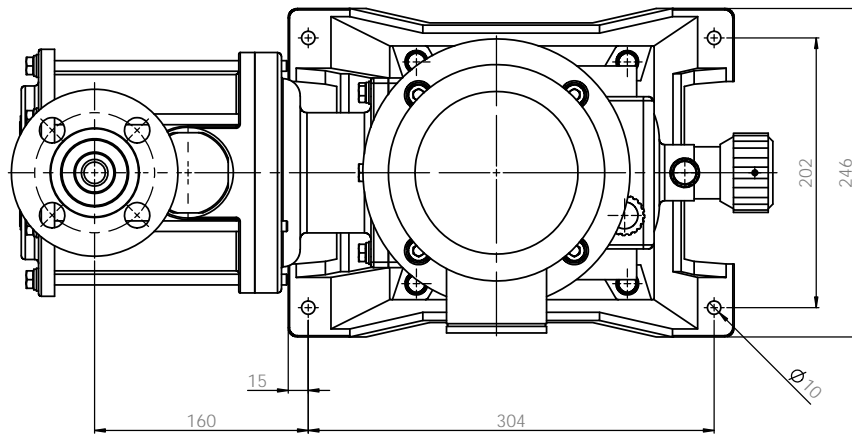
PUMP ASSEMBLY-DIM
JM14LPCFD-KS 10K 25A FF



Note

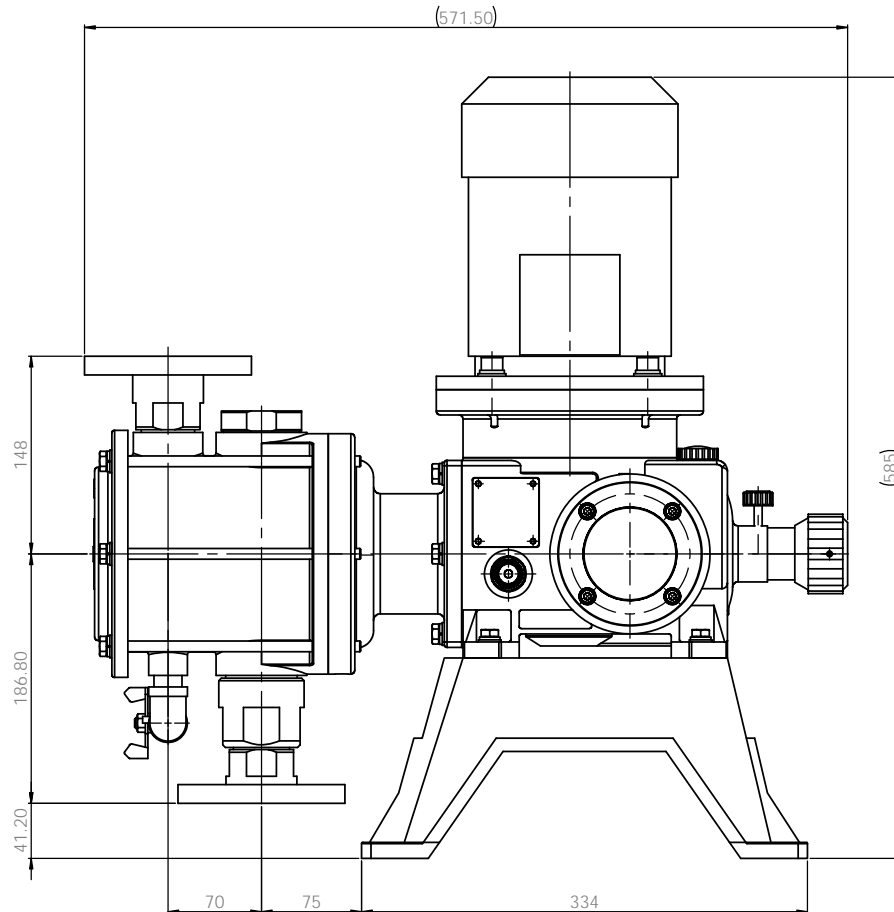
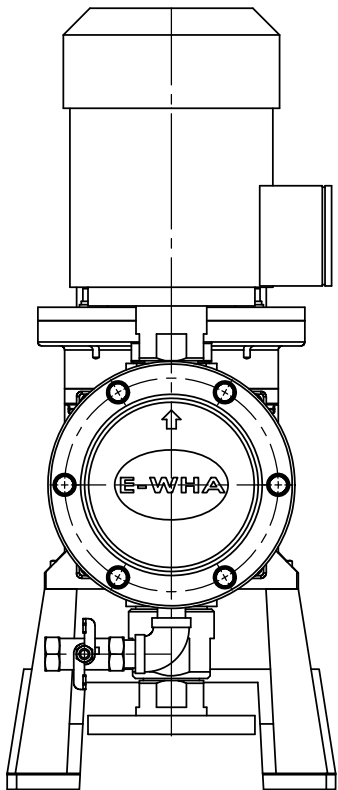
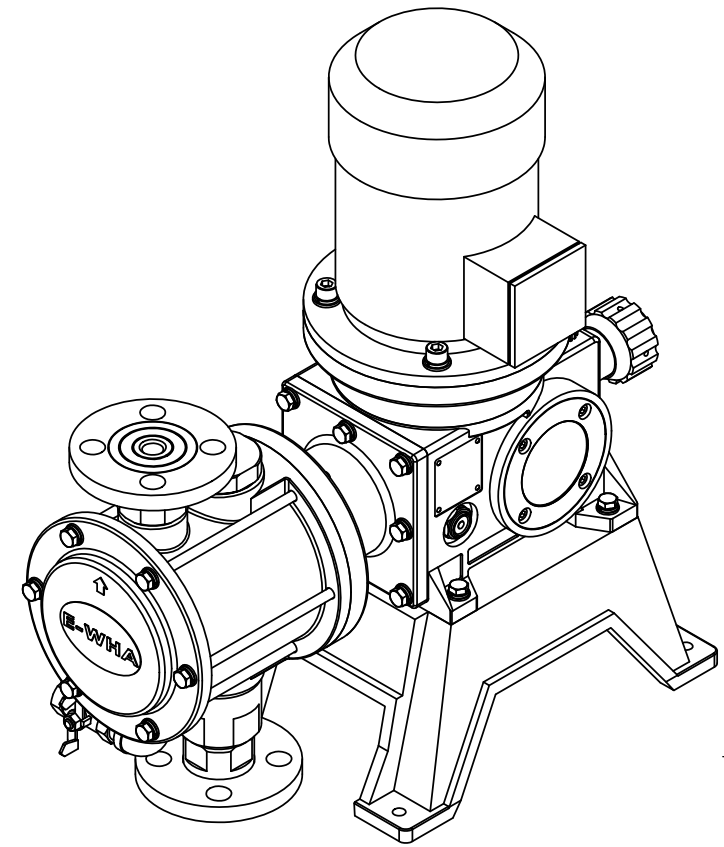
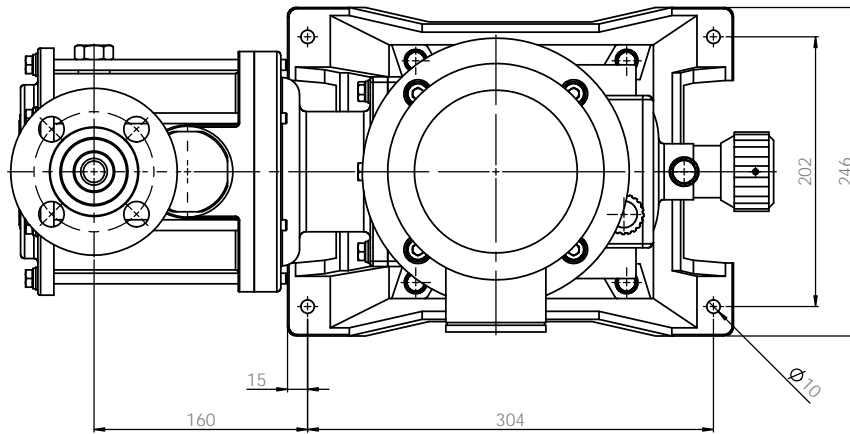
1. Model : JM14L
2. Material : PTFE
3. Connection : Flange
4. Drain valve : N / A

ALL DIMENSIONS SPECIFIED UNLESS OTHERWISE SPECIFIED DIMENSIONS ARE IN MILLIMETERS TOLERANCES: FINISH: ANGULAR		FINISH: BRASS SHARP STEEL	DO NOT SCALE DRAWING REVISION
DRAWN: W. PARK CHECK: W. PARK APPROV: S.C. KIM	DATE: 2020.02.21 DATE: 2020.02.21 DATE: 2020.02.21	DRAWING NO.: PART NO.: QTY.: MATERIAL: PTFE	E-WHA CHEMICAL FEEDER CO., LTD. PUMP ASSEMBLY-DIM JM14LTCF-KS 10K 25A FF DIMO. NO.: N1004E1055A SCALE: 1:1 SHEET 1 OF 1



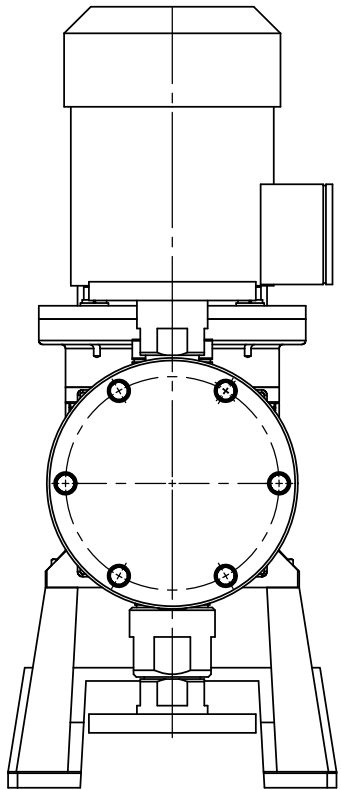
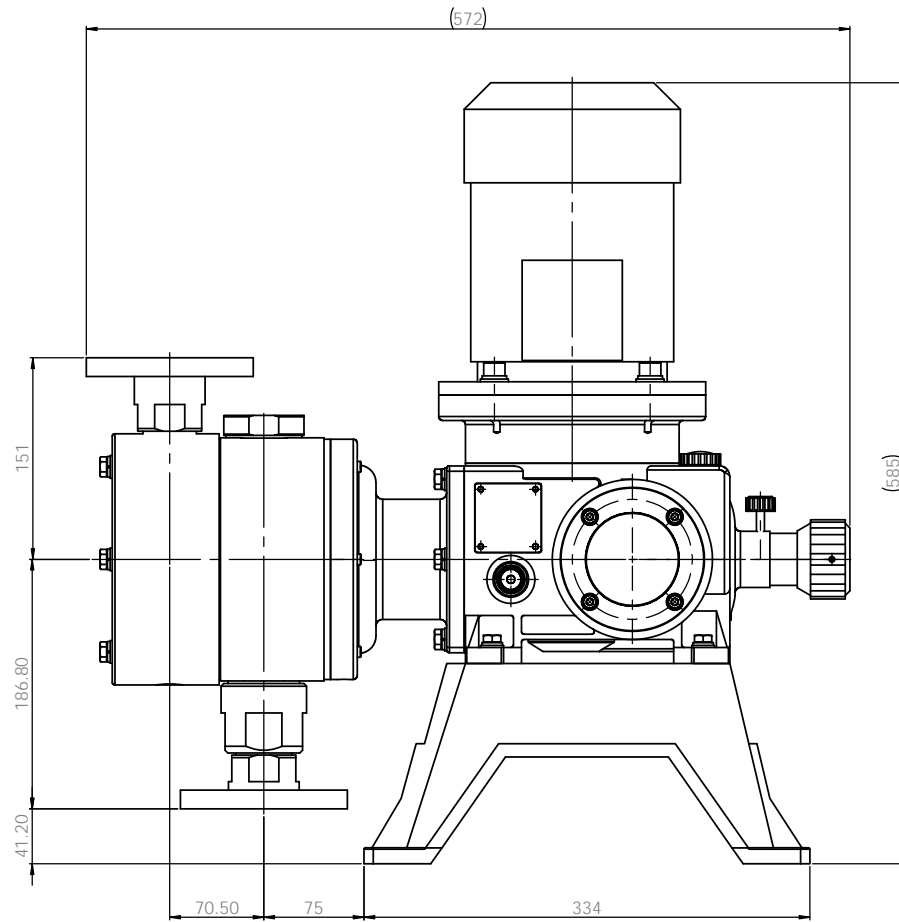
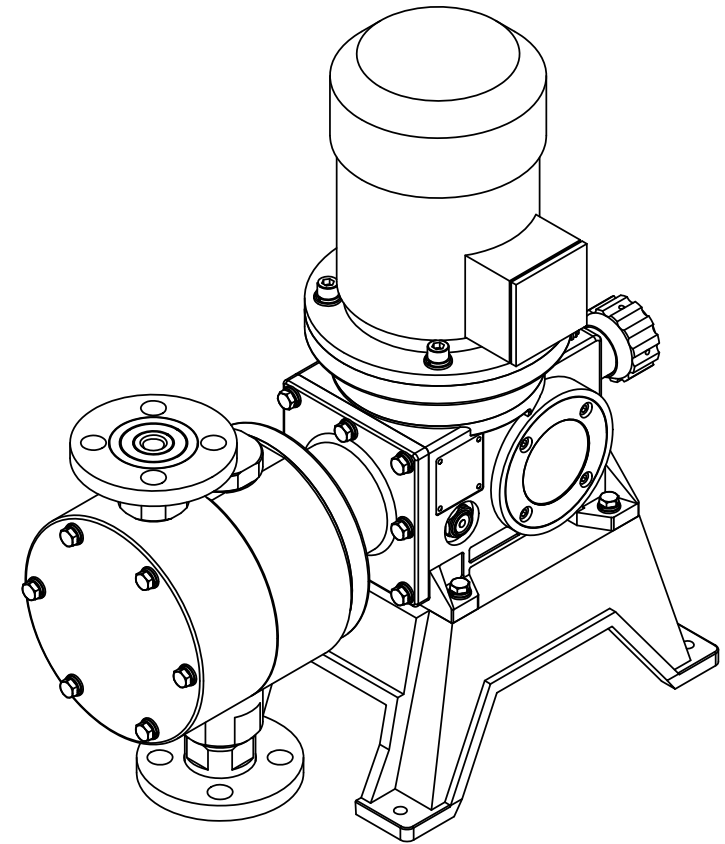
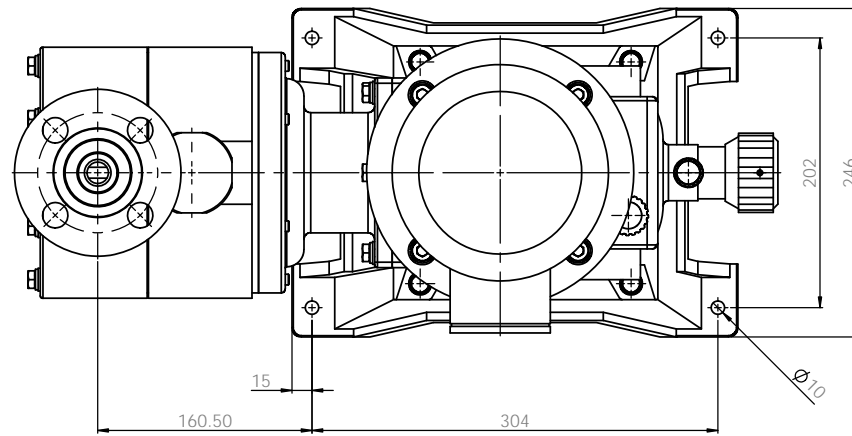
Note
 1. Model : JM14L
 2. Material : Stainless steel(Cast)
 3. Connection : Flange
 4. Drain valve : Not installed

<small>ALL DIMENSIONS SPECIFIED DIMENSIONS ARE IN MILLIMETERS UNLESS OTHERWISE INDICATED UNLESS OTHERWISE</small>				FINISH	<small>EDGE AND BREAK SHARP EXCEPT</small>	<small>DO NOT SCALE DRAWING</small>	REVISION
<small>DATE</small> DRAWN: W. PARK 2020.02.21 CHECK: W. PARK 2020.02.21 APPROV: S.C. KIM 2020.02.21 DES:				<small>SCALE</small> SUS304	<small>ITEM NO.</small> N1201E1051A	<small>E-WHA CHEMICAL FEEDER CO., LTD.</small> PUMP ASSEMBLY-DIM JM10LS4S4F-KS 10K 25A FF	
<small>DATE</small> 2020.02.21				<small>SCALE</small> SUS304	<small>ITEM NO.</small> N1201E1051A	<small>E-WHA CHEMICAL FEEDER CO., LTD.</small> PUMP ASSEMBLY-DIM JM10LS4S4F-KS 10K 25A FF	
<small>DATE</small> 2020.02.21				<small>SCALE</small> SUS304	<small>ITEM NO.</small> N1201E1051A	<small>E-WHA CHEMICAL FEEDER CO., LTD.</small> PUMP ASSEMBLY-DIM JM10LS4S4F-KS 10K 25A FF	



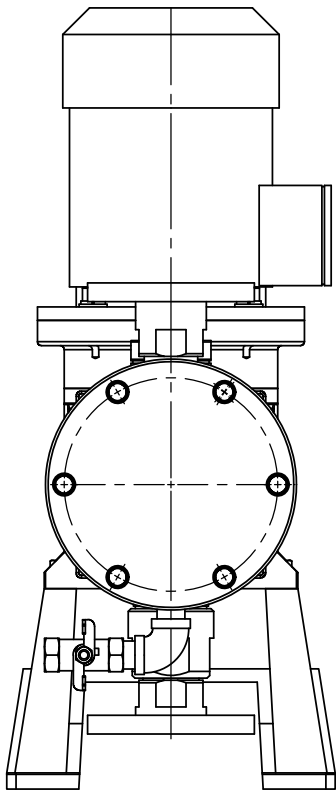
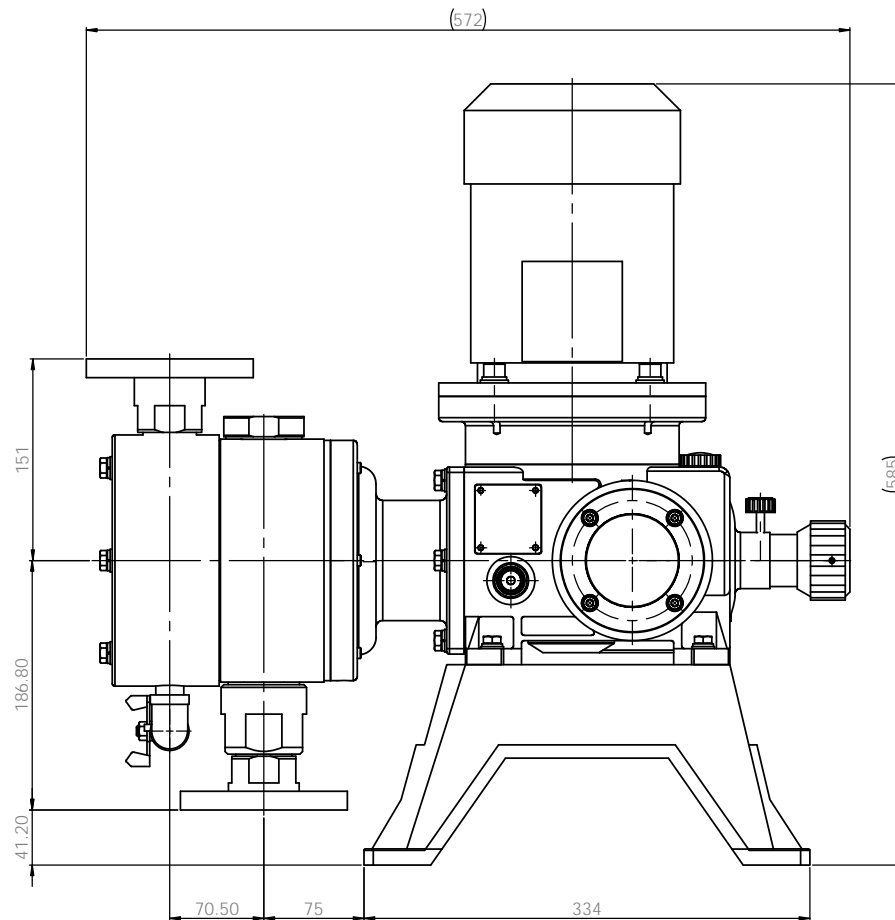
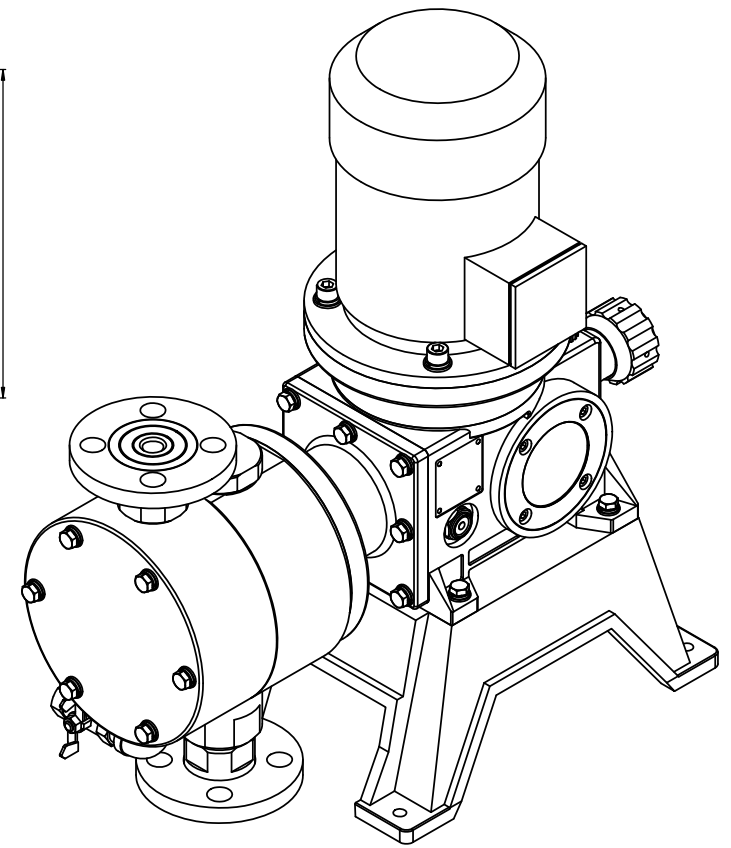
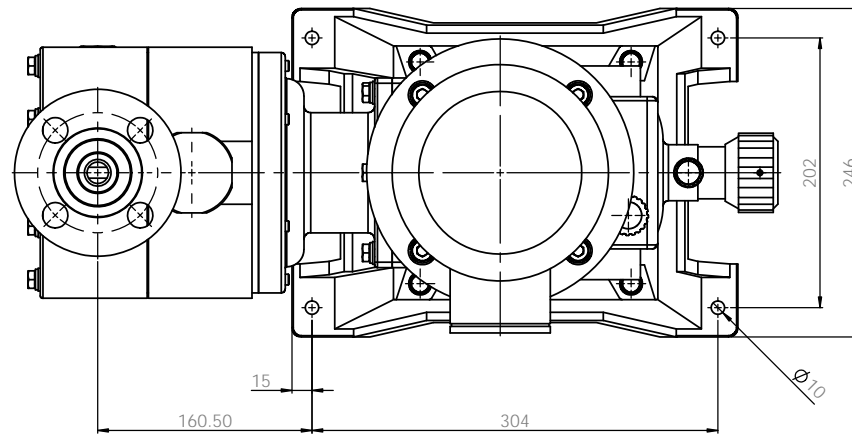
Note
 1. Model : JM14L
 2. Material : Stainless steel(Cast)
 3. Connection : Flange
 4. Drain valve : Installed

ALL DIMENSIONS SPECIFIED UNLESS OTHERWISE SPECIFIED DIMENSIONS ARE IN MILLIMETERS TOLERANCES: FINISH: F ANGULAR: A		FINISH: BRASS AND BRASS SHARP POLISH	DO NOT SCALE DRAWING REVISION
DRAWN: W. PARK CHECK: W. PARK APPROV: S.C. KIM DATE: 2020.02.21 DATE: 2020.02.21 DATE: 2020.02.21	TITLE: PUMP ASSEMBLY-DIM JM14LS4S4FD-KS 10K 25A FF	MATERIAL: SUS304	DRAWING NO: N1201E1056A
SCALE: 1:1		SHEET: 1 OF 1	A1



Note
 1. Model : JM14L
 2. Material : Stainless steel
 3. Connection : Flange
 4. Drain valve : Not installed

PUMP ASSEMBLY-DIM				E-WHA CHEMICAL FEEDER CO., LTD.	
JM14LS4S4F-KS 10K 25A FF				REVISION	
SUS304				N1301E1055A	
SCALE 1:1				SHEET 1 OF 1	



Note
 1. Model : JM14L
 2. Material : Stainless steel
 3. Connection : Flange
 4. Drain valve : Installed

ALL DIMENSIONS SPECIFIED UNLESS OTHERWISE SPECIFIED DIMENSIONS ARE IN MILLIMETERS TOLERANCES: FINISH: ANGULAR:				FINISH: BRUSH BRUSH GRAB POLISH	DO NOT SCALE DRAWING REVISION:
DRAWN: W. PARK CHECKED: W. PARK APPROVED: S.C. KIM DATE: 2020.02.21 DATE: 2020.02.21 DATE: 2020.02.21				E-WHA CHEMICAL FEEDER CO., LTD. PUMP ASSEMBLY-DIM JM14LS4S4FD-KS 10K 25A FF	SHEET NO. A1 SHEET 1 OF 1
MATERIAL: SUS304				DIMENSION: N1301E1056A	SCALE: 1:1