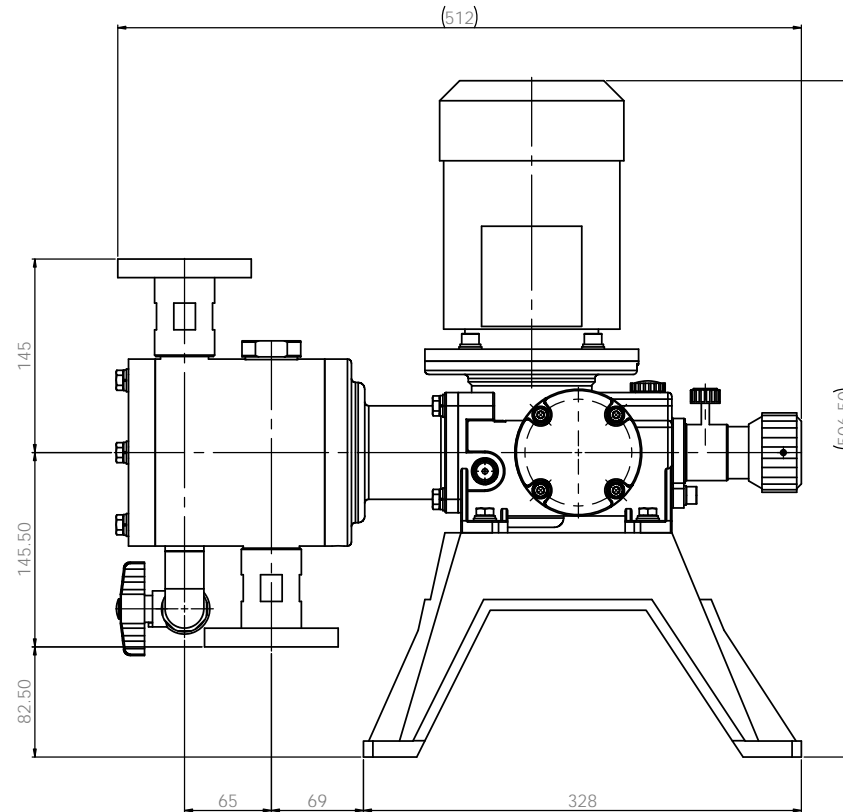
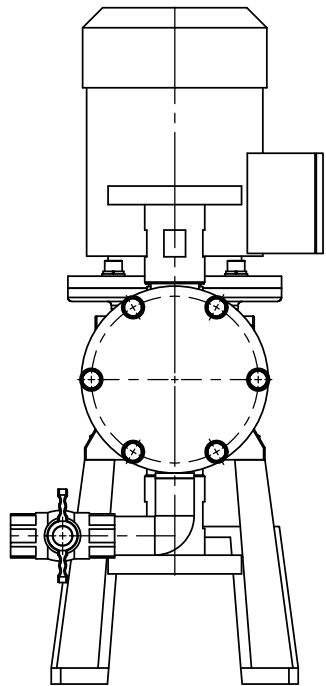
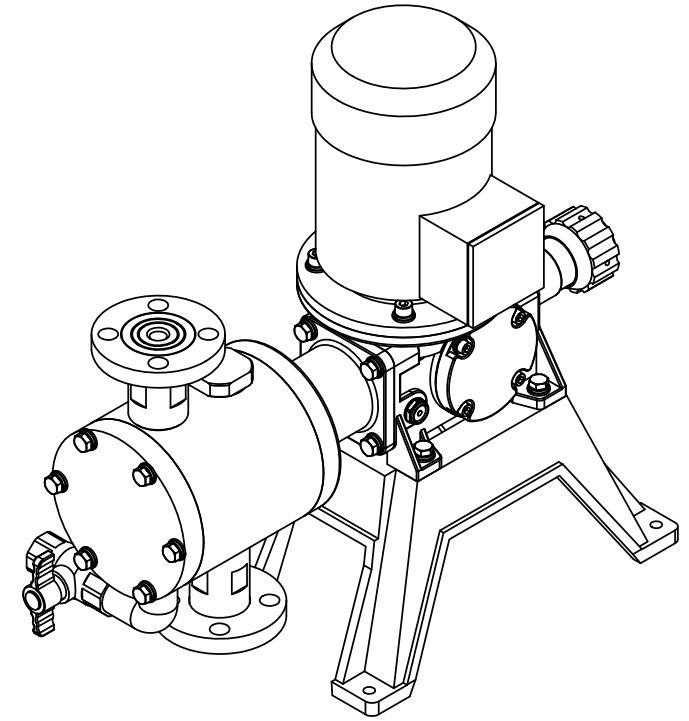
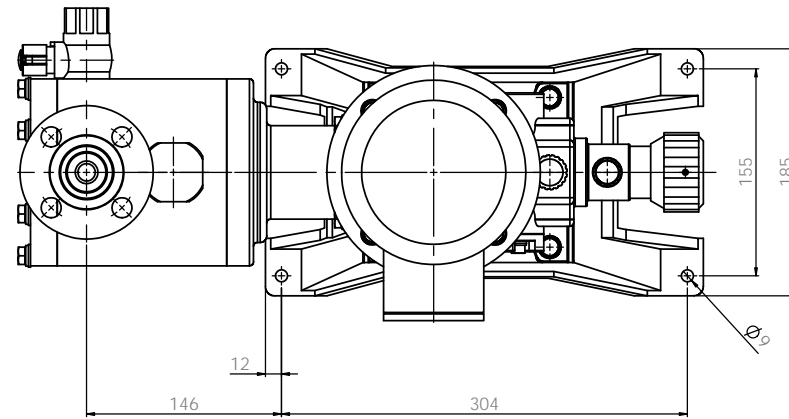


**Note**

1. Model : JS4000
2. Material : PP / PVDF
3. Connection : Flange
4. Drain valve : Not installed

ALL DIMENSIONS SPECIFIED UNLESS OTHERWISE SPECIFIED DIMENSIONS ARE IN MILLIMETERS				UNITS AND BASIS: ANGLES: DEGREE		DO NOT SCALE DRAWING		REVISION	
TOLERANCES UNLESS SPECIFIED:				FINISH		E-WHA CHEMICAL FEEDER CO., LTD.			
FRACTIONS: 1/16, 1/8, 1/4, 3/8, 1/2, 5/8, 3/4, 7/8				DRAWN: W. PARK		DATE: 2020.02.21		REV:	
DECIMALS: 0.1, 0.2, 0.5, 1.0, 2.0, 5.0, 10.0				CHECKED: W. PARK		DATE: 2020.02.21		PUMP ASSEMBLY-DIM	
ANGLES: 15, 30, 45, 60, 75, 90, 105, 120, 135, 150, 165, 180				APPROVED: S.C. KIM		DATE: 2020.02.21		JS4000PCF-KS 10K 20A FF	
				MATERIAL: PVC		DWG. NO: H1000E1035B		A1	
				SCALE: 1:1		SHEET: 1 OF 1			

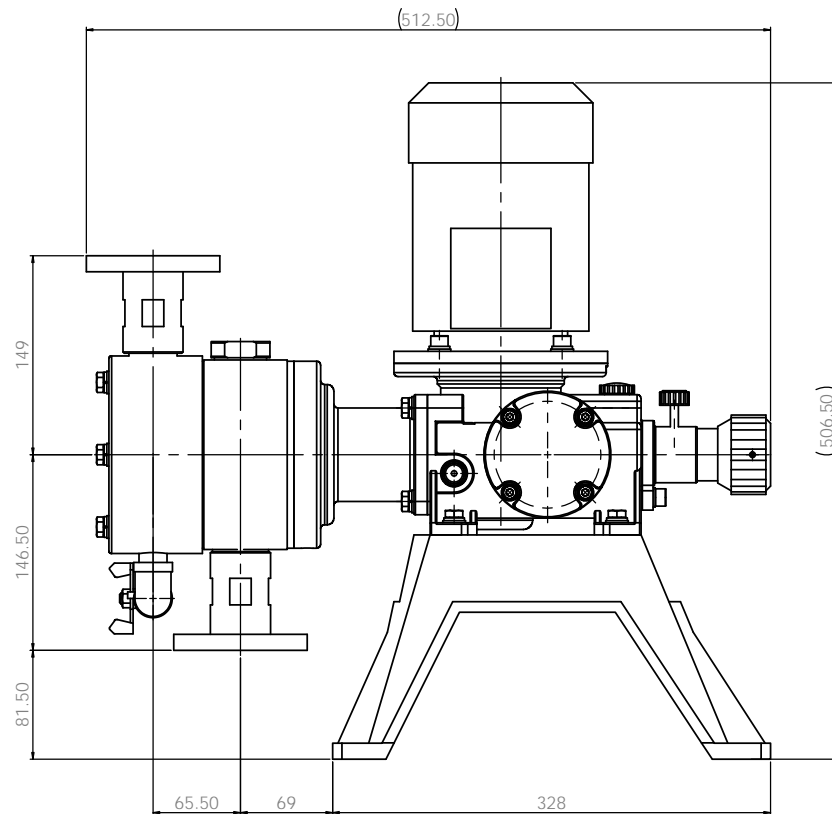
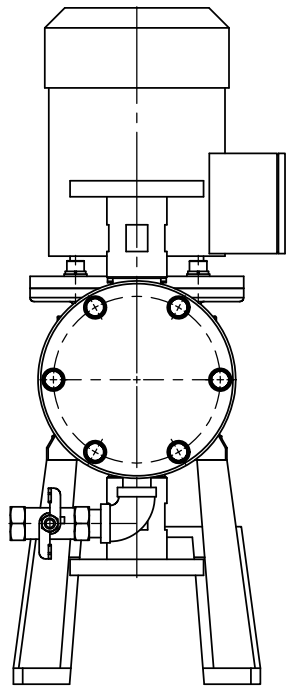
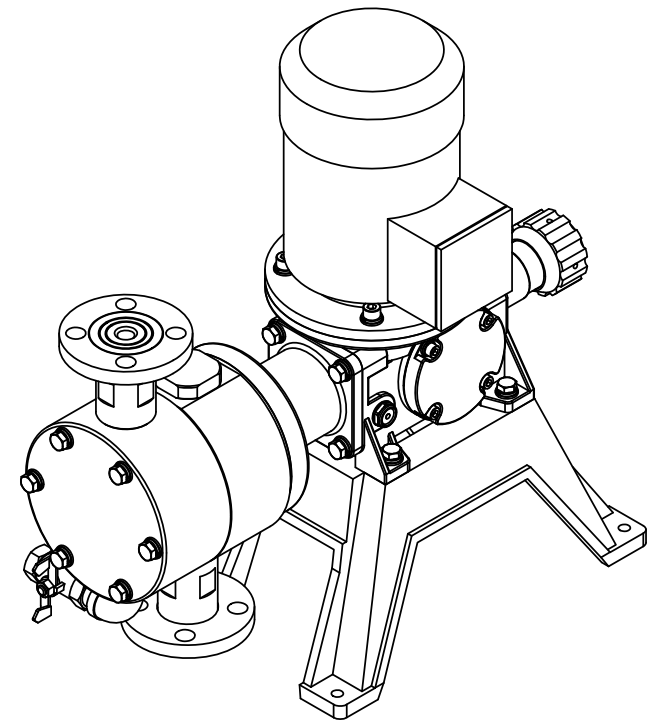
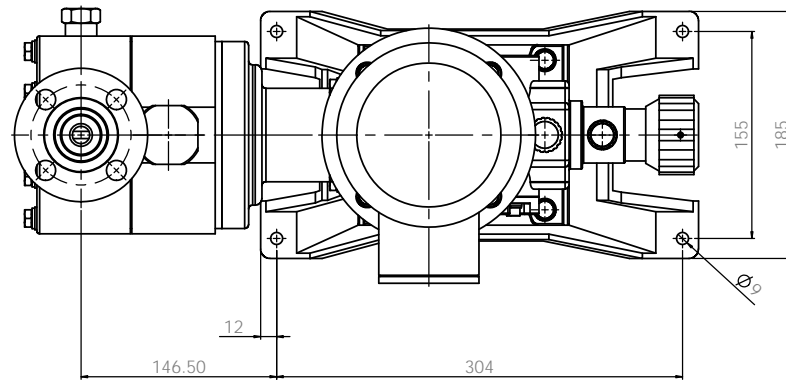


**Note**  
 1. Model : JS4000  
 2. Material : PP  
 3. Connection : Flange  
 4. Drain valve : Installed

PUMP ASSEMBLY SPECIFIED DIMENSIONS ARE IN MILLIMETERS UNLESS OTHERWISE SPECIFIED		FINISH		EDGE AND BREAK SHARP ENDS		DO NOT SCALE DRAWING		REVISION	
DRWING	DATE	DESIGNER	DATE						
CHKD	2020.02.21								
APPROV	2020.02.21								
BY	2020.02.21								
MATERIAL		SPEC. NO.		DRAWING NO.		SHEET NO.		SHEET TOTAL	
PVC		H1000E1036B		PUMP ASSEMBLY-DIM JS4000PCFD-KS 10K 20A FF		A1			







**Note**

1. Model : JS4000
2. Material : Stainless steel
3. Connection : Flange
4. Drain valve : Installed

PUMP ASSEMBLY-DIM				E-WHA CHEMICAL FEEDER CO., LTD.	
DATE	REV	BY	CHK	SCALE	SHEET
2020.02.21				1:1	1 OF 1
2020.02.21					
2020.02.21					
MATERIAL			SUS304		
DRAWING NO.			H1301E1036B		
SCALE			1:1		