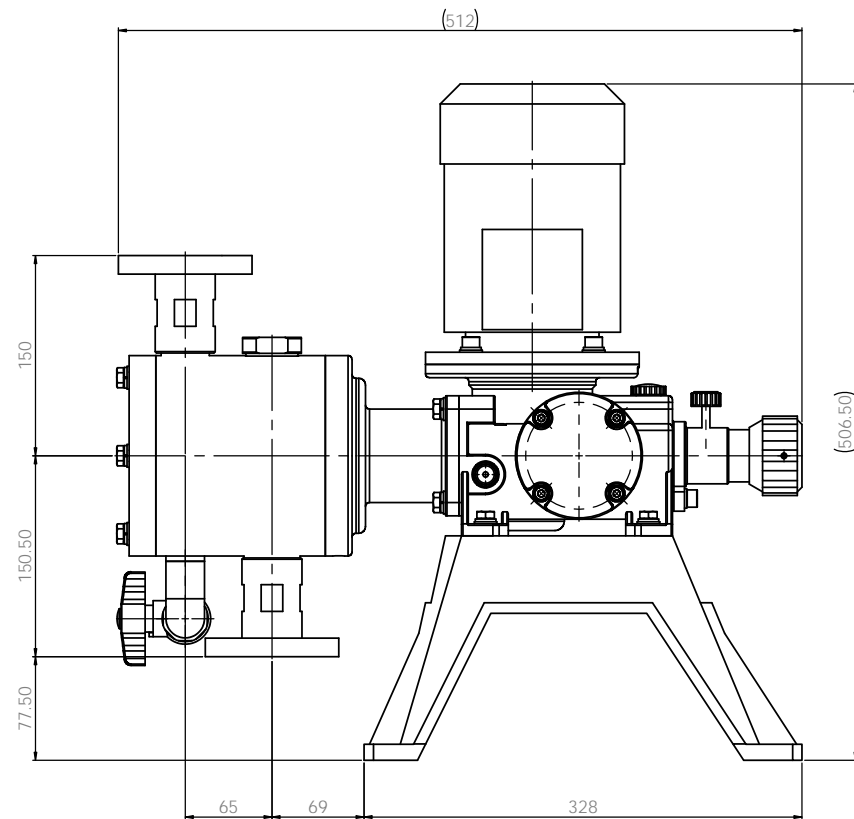
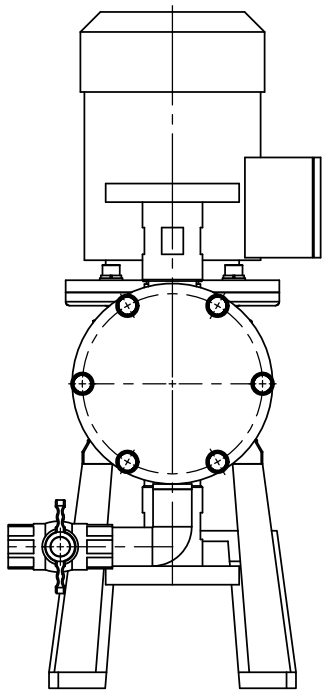
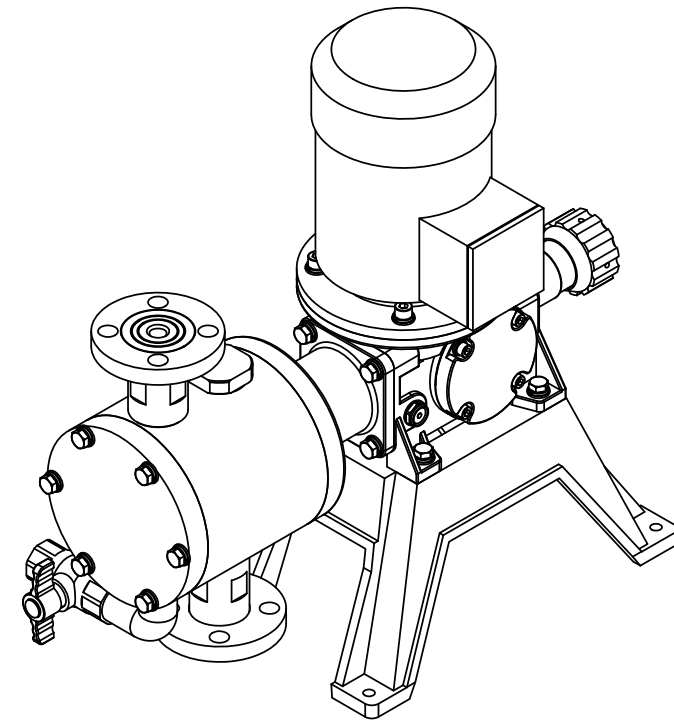
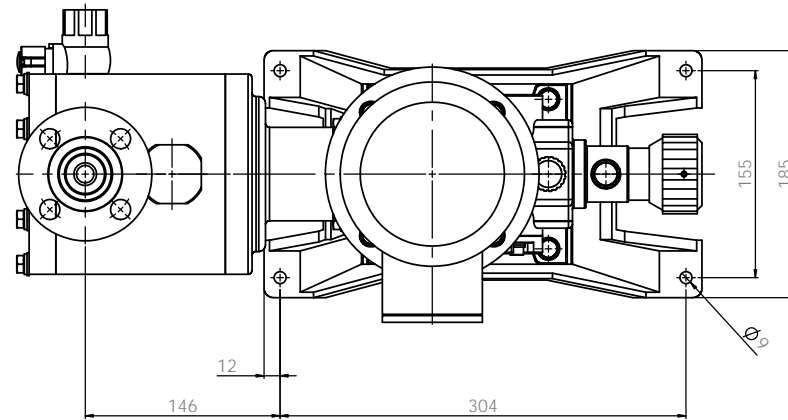


**Note**  
 1. Model : JS5000  
 2. Material : PP / PVDF  
 3. Connection : Flange  
 4. Drain valve : Not installed

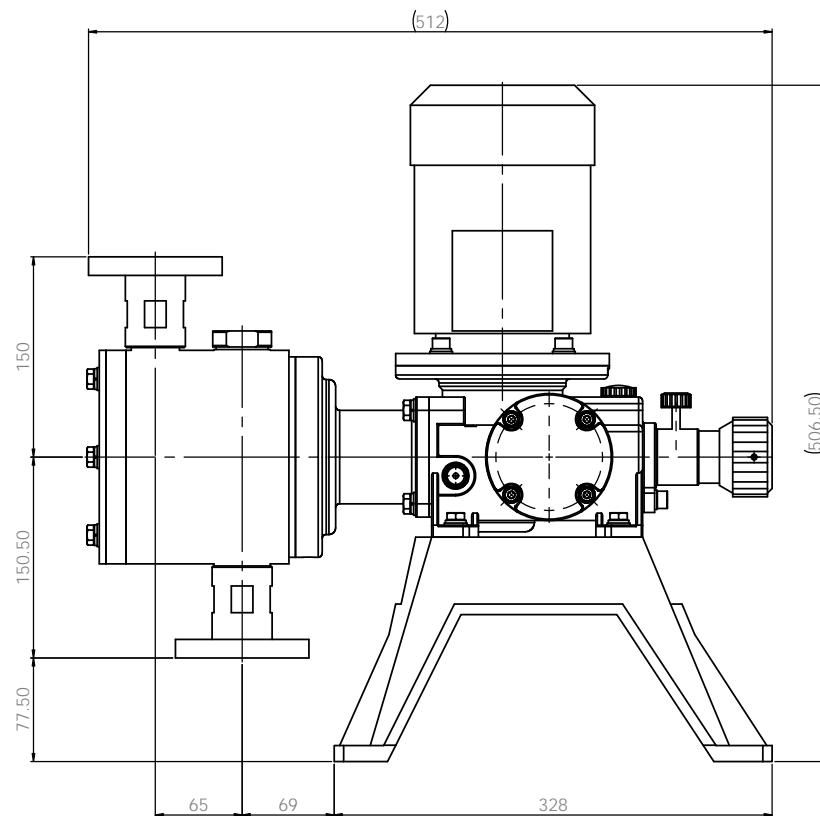
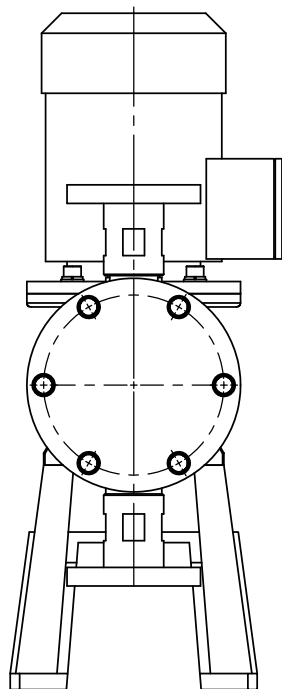
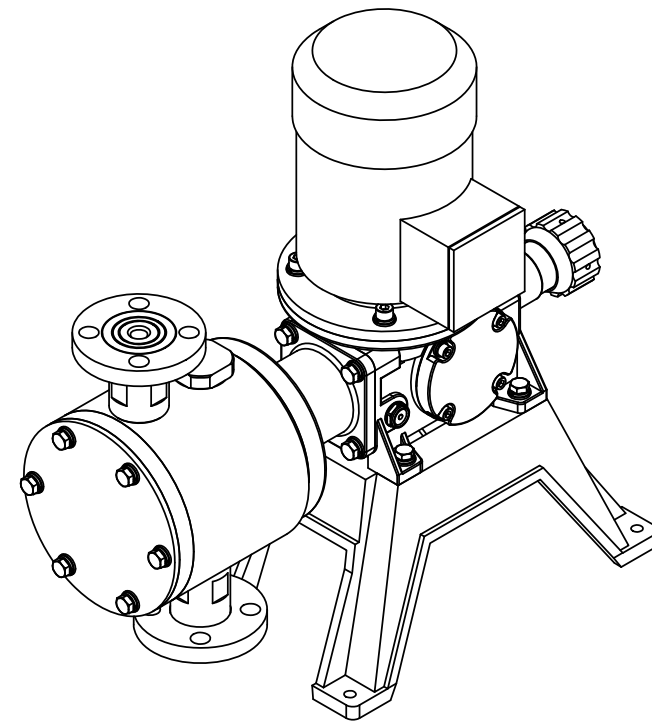
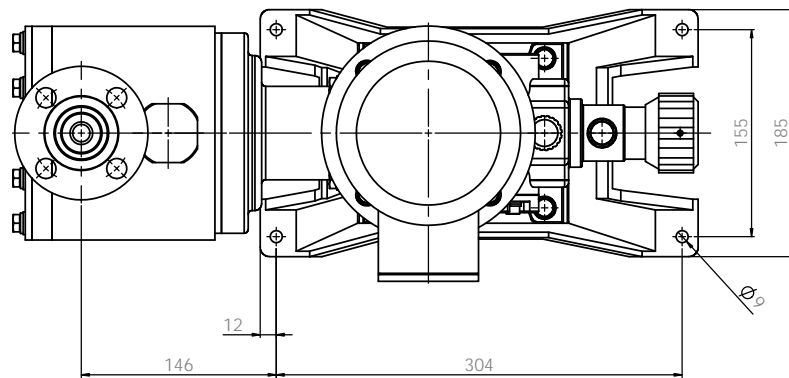
PANEL DIMENSIONS SPECIFIED DIMENSIONS ARE IN MILLIMETERS				TOLERANCES HORIZONTAL ANGULAR		FINITE AND BREAK SHARP EDGES		DO NOT SCALE DRAWING		REVISION	
DATE	SCALE	REV	BY	DATE	SCALE	REV	BY	E-WHA CHEMICAL FEEDER CO., LTD.			
2020.02.21	1:1			2020.02.21	1:1			PUMP ASSEMBLY-DIM			
2020.02.21	1:1			2020.02.21	1:1			JS5000PCF-KS 10K 20A FF			
2020.02.21	1:1			2020.02.21	1:1			MATERIAL			
								PVC			
								DIMENSION			
								H1000E1039B			
								SCALE 1:1			
								SHEET 1 OF 1			



**Note**

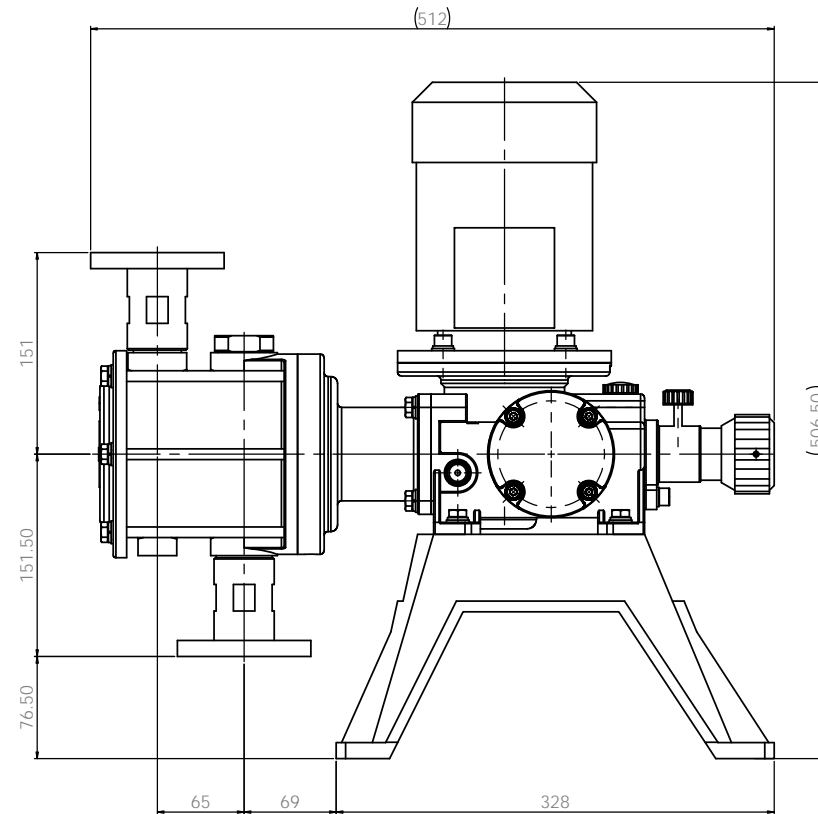
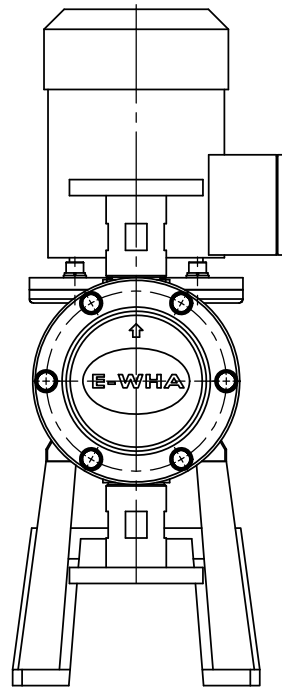
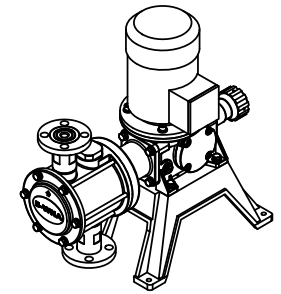
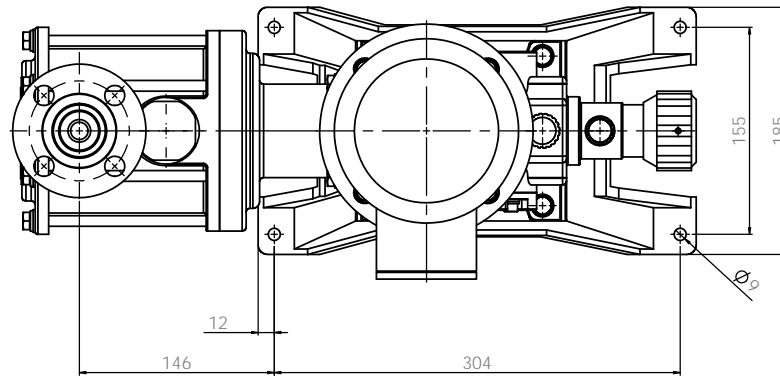
1. Model : JS5000
2. Material : PP
3. Connection : Flange
4. Drain valve : Installed

PANEL DIMENSIONS SPECIFIED CONDIZIONE AREE DI FABBRICAZIONE TOLLERANZE: LINEARE ANGOLARE				FINISH		RISERVA ANGO BREGAL GRAPP DOTTI		DO NOT SCALE DRAWING		REVISION	
DRAWN	W. PARK	DESIGNED	DATE					E-WHA CHEMICAL FEEDER CO., LTD.			
CHECK	W. PARK		2020.02.21					PUMP ASSEMBLY-DIM			
APPROV	S.C. KIM		2020.02.21					JS5000PCFD-KS 10K 20A FF			
DATE								MATERIAL			
								PVC			
								DIMENSION			
								H1000E1040B			
								SCALE 1:1			
								SHEET 1 OF 1			



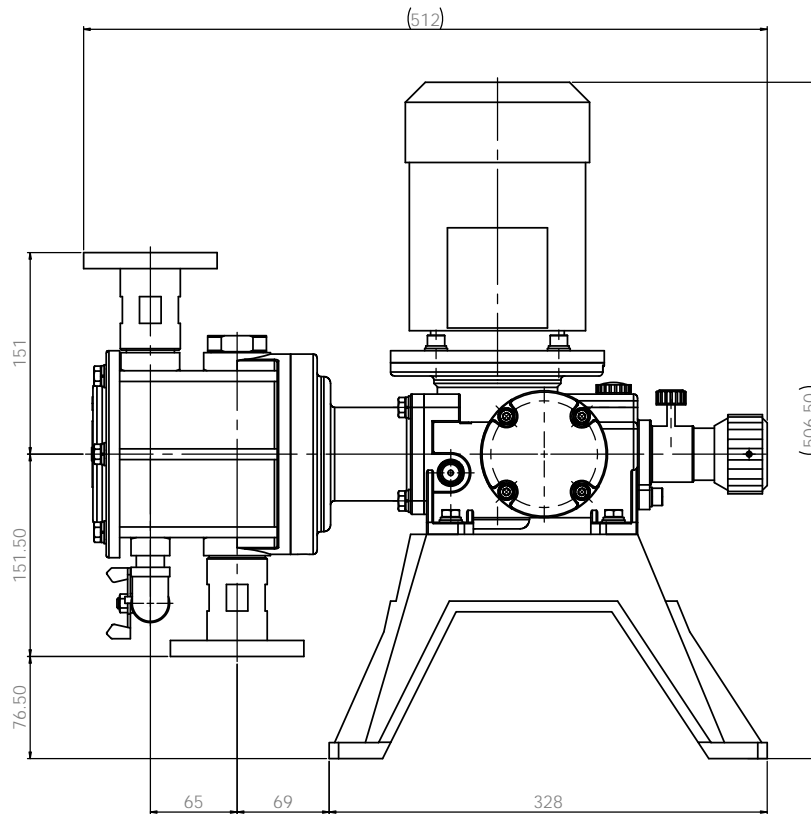
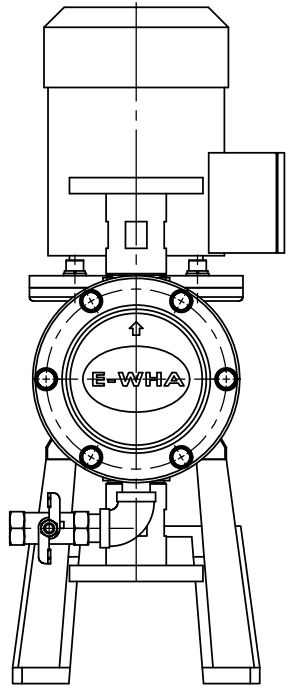
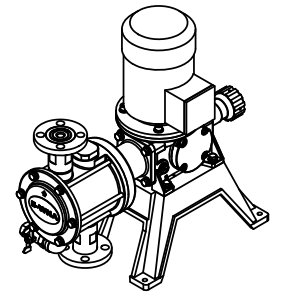
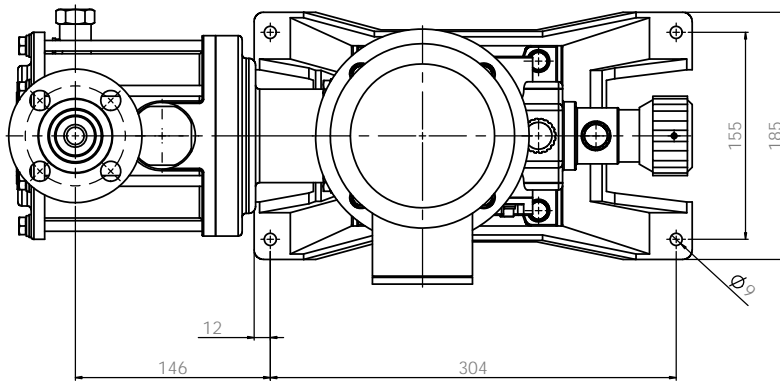
**Note**  
 1. Model : JS5000  
 2. Material : PTFE  
 3. Connection : Flange  
 4. Drain valve : N / A

PUMP ASSEMBLY-DIM				E-WHA CHEMICAL FEEDER CO., LTD.	
DATE	REV	BY	CHK	DATE	REV
2024.02.21				2024.02.21	
2024.02.21				2024.02.21	
2024.02.21				2024.02.21	
MATERIAL			PTFE		
DRAWING NO.			H1004E1039B		
SCALE			1:1		
SHEET			1 OF 1		



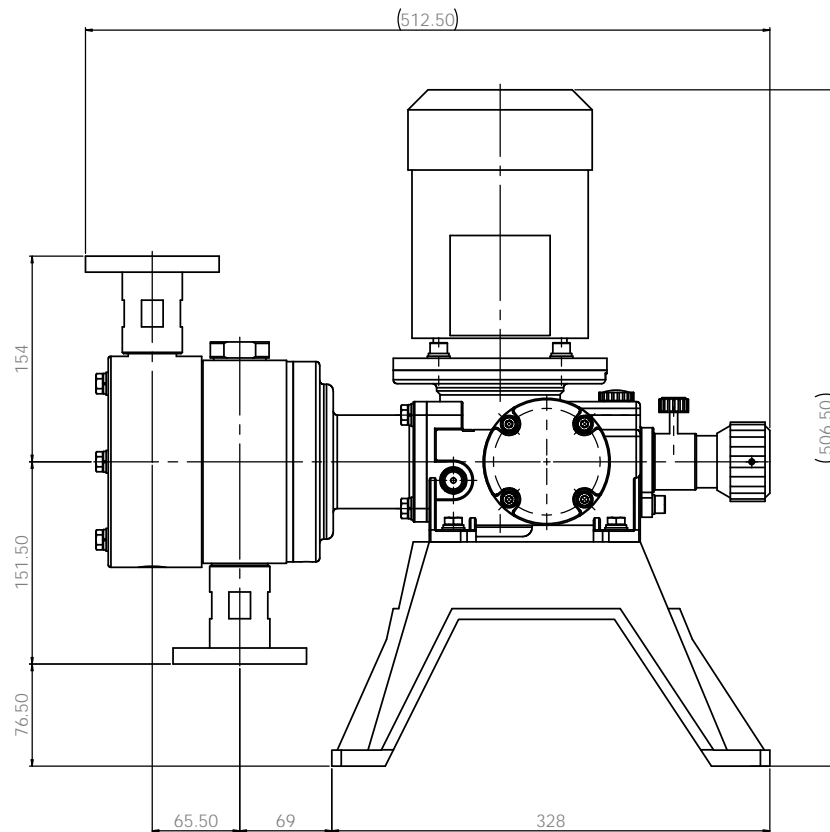
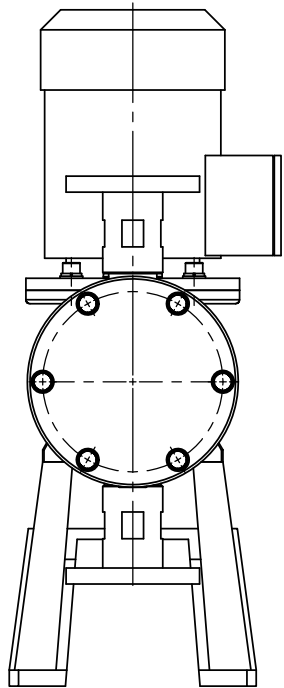
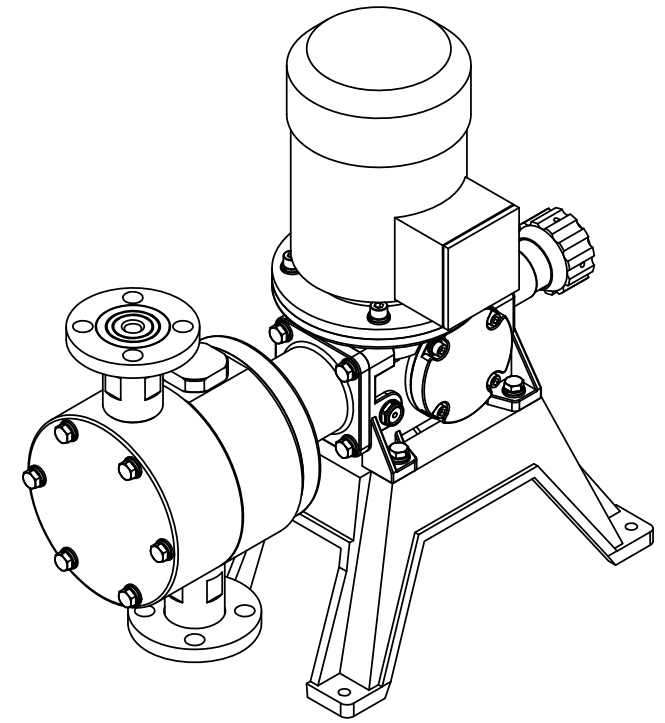
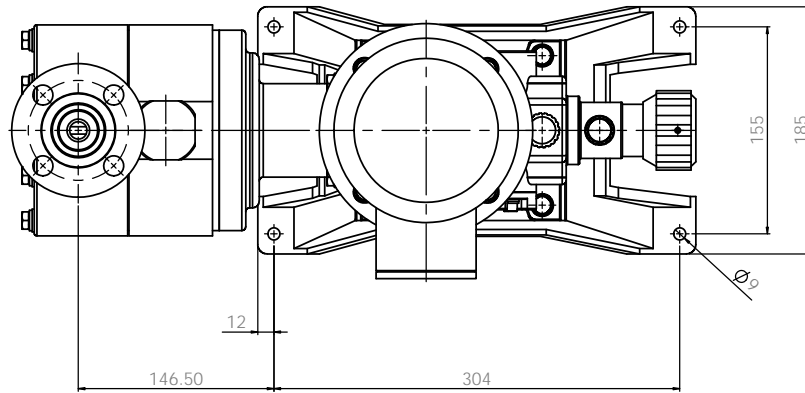
**Note**  
 1. Model : JS5000  
 2. Material : Stainless steel(Cast)  
 3. Connection : Flange  
 4. Drain valve : Not installed

PUMP ASSEMBLY SPECIFIED DIMENSIONS ARE IN MILLIMETERS UNLESS OTHERWISE SPECIFIED				FINISH		TOLERANCE AND SURFACE FINISH		DO NOT SCALE DRAWING		REVISION	
DATE	BY	CHKD	APPVD	SCALE	UNIT	CLASS	FINISH	SCALE	DATE	NO.	DESCRIPTION
2024.02.21											
2024.02.21											
2024.02.21											
MATERIAL: SUS304				DRAWING NO: H1201E1039B		SCALE: 1:1		SHEET: 1 OF 1		E-WHA CHEMICAL FEEDER CO., LTD.	



**Note**  
 1. Model : JS5000  
 2. Material : Stainless steel(Cast)  
 3. Connection : Flange  
 4. Drain valve : Installed

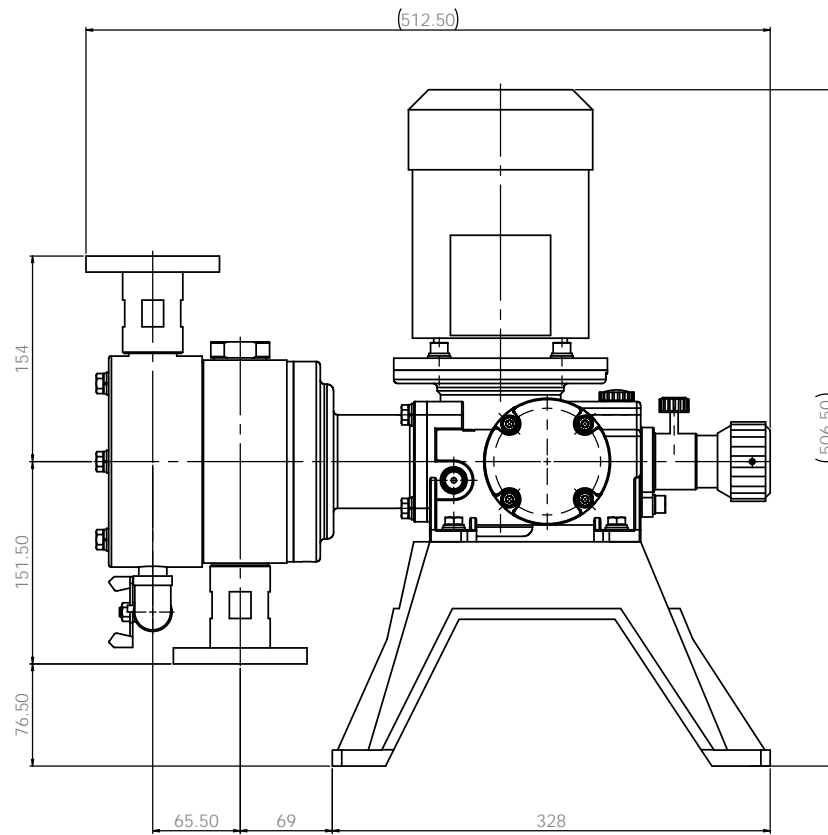
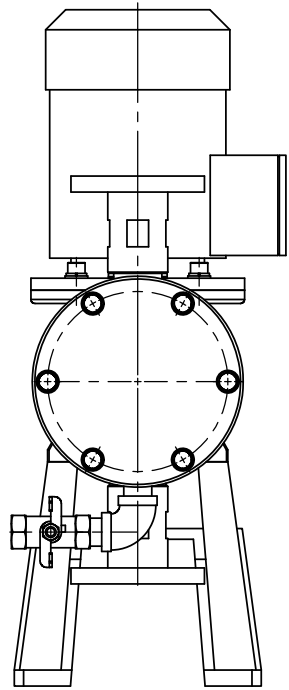
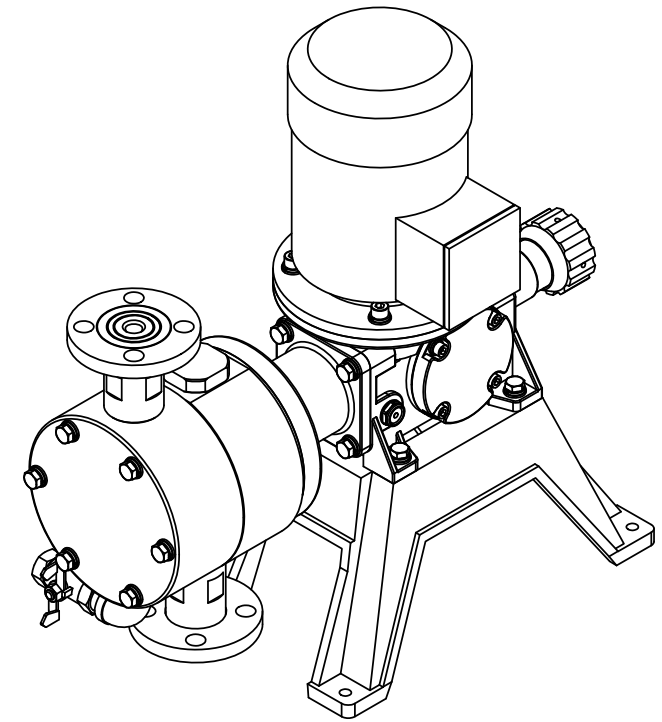
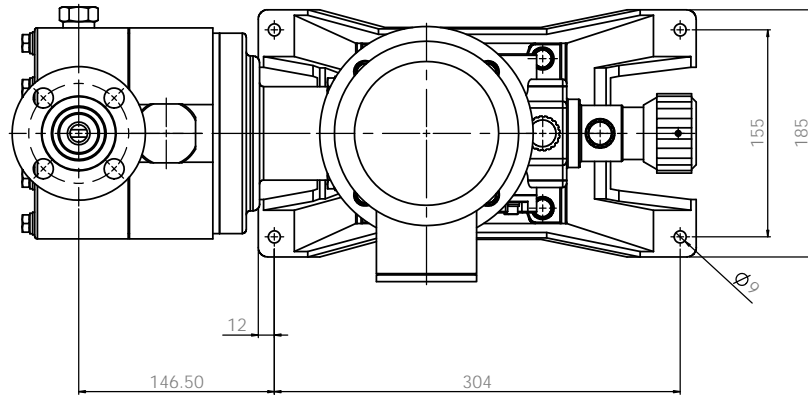
<small>ALL DIMENSIONS SPECIFIED          UNLESS OTHERWISE SPECIFIED          DIMENSIONS ARE IN MILLIMETERS          UNLESS INDICATED          OTHERWISE</small>			<small>FINISH</small> BRASS AND BRASS SHARP EDGE	<small>DO NOT SCALE DRAWING</small> REVISION
<small>DATE</small> 2020.02.21			E-WHA CHEMICAL FEEDER CO., LTD.	
<small>DATE</small> 2020.02.21			PUMP ASSEMBLY-DIM JS5000S4S4FD-KS 10K 15A FF	
<small>DATE</small> 2020.02.21			SUS304	
<small>DATE</small> 2020.02.21			H1201E1040B	
<small>DATE</small> 2020.02.21			A1	



**Note**

1. Model : JS5000
2. Material : Stainless steel
3. Connection : Flange
4. Drain valve : Not installed

PUMP ASSEMBLY SPECIFIED DIMENSIONS ARE IN MILLIMETERS				UNITS		SCALE AND BREAK SHARP EDGES		DO NOT SCALE DRAWING		REVISION	
DATE	BY	CHKD	APPD	UNIT	SCALE	BREAK	SHARP	EDGES	NO.	DESCRIPTION	DATE
2024.02.21	W. PARK										
2024.02.21	W. PARK										
2024.02.21	S.C. KIM										
MATERIAL: SUS304				DRAWING NO: H1301E1039B		SCALE: 1:1		SHEET 1 OF 1		E-WHA CHEMICAL FEEDER CO., LTD.	
PUMP ASSEMBLY-DIM JS5000S4S4F-KS 10K 20A FF				DRAWING NO: H1301E1039B		SCALE: 1:1		SHEET 1 OF 1		E-WHA CHEMICAL FEEDER CO., LTD.	



**Note**  
 1. Model : JS5000  
 2. Material : Stainless steel  
 3. Connection : Flange  
 4. Drain valve : Installed

PUMP ASSEMBLY-DIM				E-WHA CHEMICAL FEEDER CO., LTD.	
DATE	SCALE	REVISION	REVISION	SCALE	REVISION
2024.02.21	1:1			1:1	
2024.02.21					
2024.02.21					
MATERIAL: SUS304			DRAWING NO: H1301E1040B		
SCALE: 1:1			SHEET 1 OF 1		