

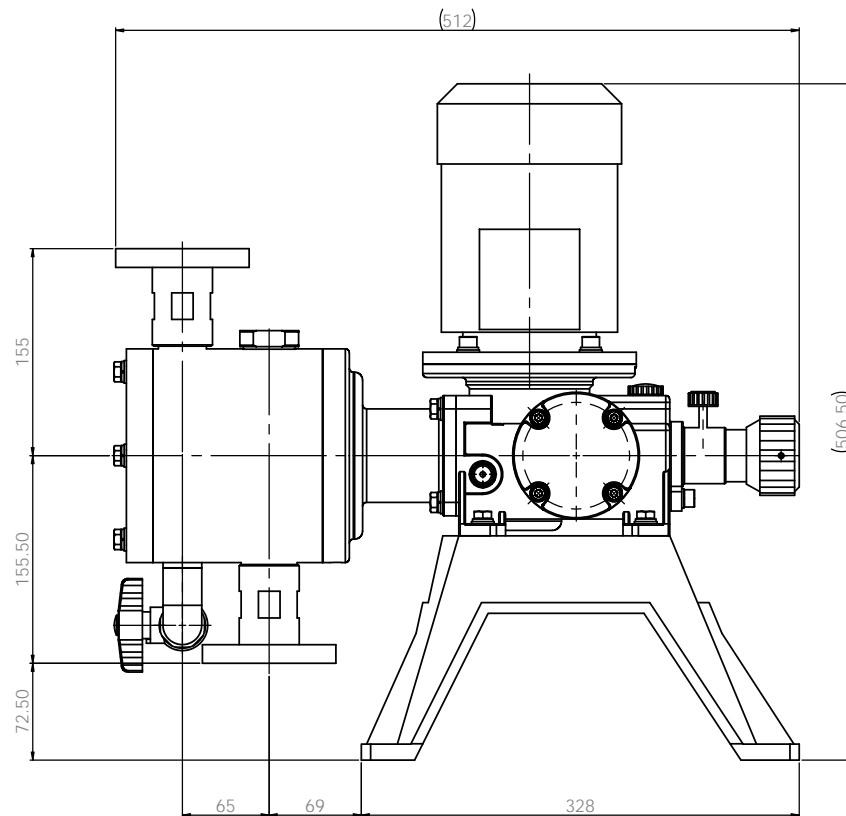
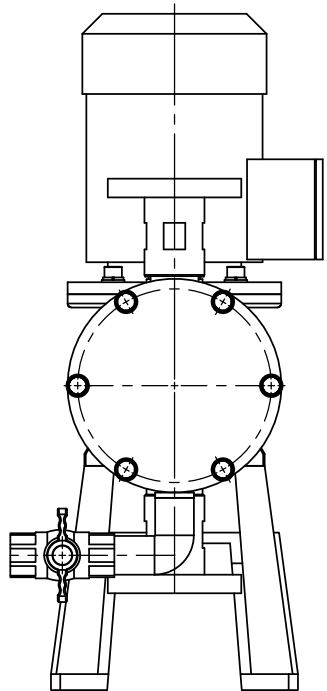
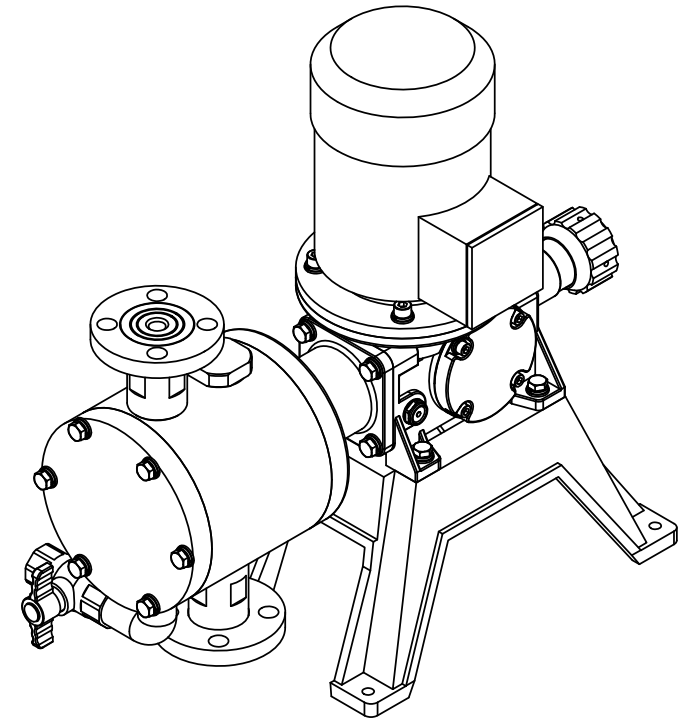
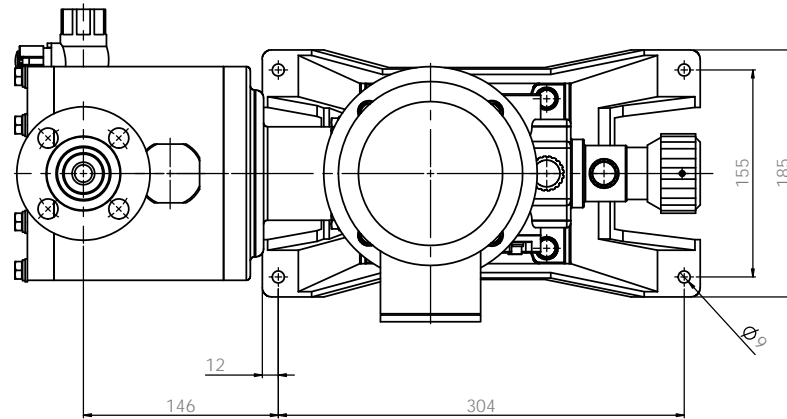
- Note**
1. Model : JS6000
 2. Material : PP / PVDF
 3. Connection : Flange
 4. Drain valve : Not installed

PUMP ASSEMBLY SPECIFIED CONDIZIONE ANE SI FABBRICAZIONE				ECCO AND BREV. GRUPP ECCO		DO NOT SCALE DRAWING		REVISION	
TOLERANCE: H/R/A/B				FINISH		SCALE		DATE	
DRAWN	W. PARK	DESIGNED		DATE					
CHECK	W. PARK			2020.02.21					
APPROV	S.C. KAP			2020.02.21					
REV									
MATERIAL				PVC		DRAWING NO.		H1000E1043B	
SCALE 1:1				SHEET 1 OF 1					

E-WHA CHEMICAL FEEDER CO., LTD.

PUMP ASSEMBLY-DIM
JS6000PCF-KS 10K 20A FF

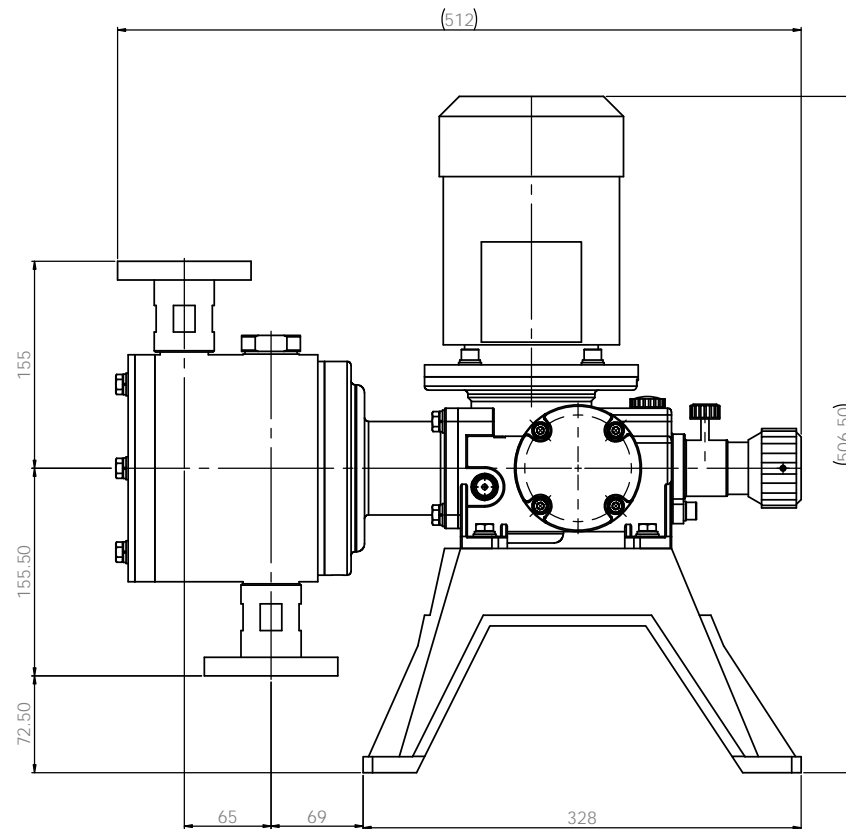
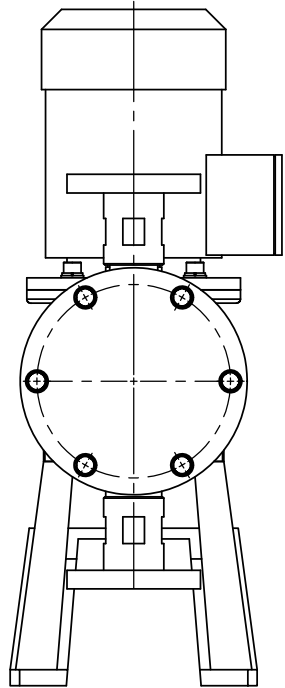
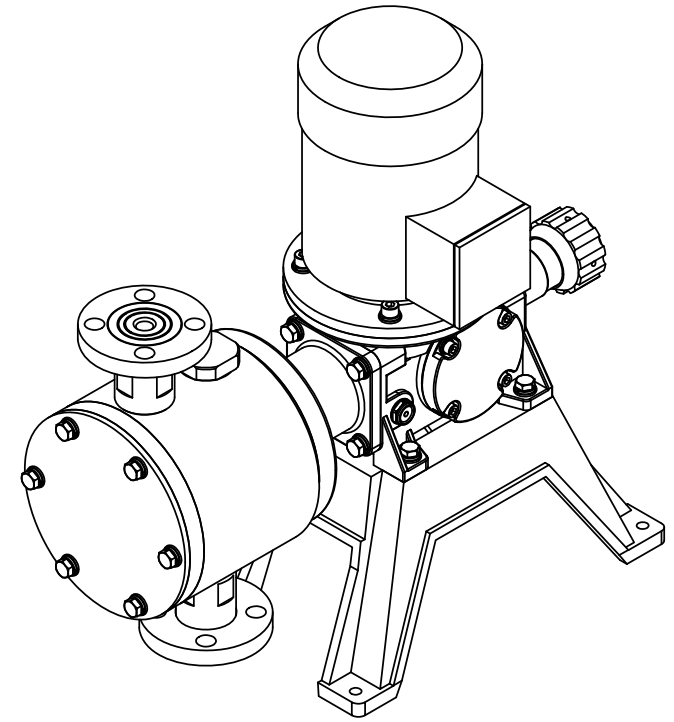
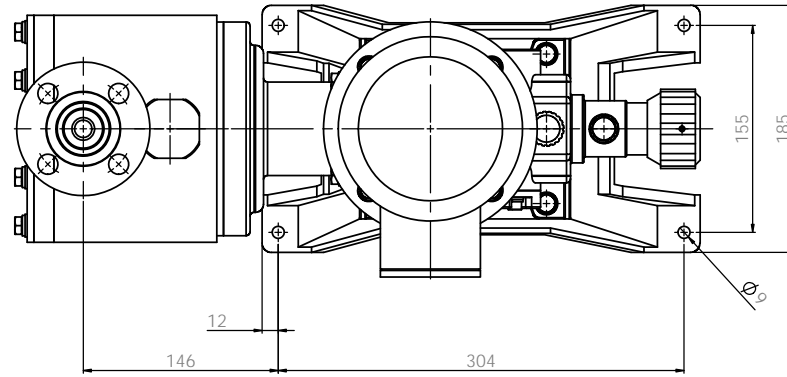
A1



Note

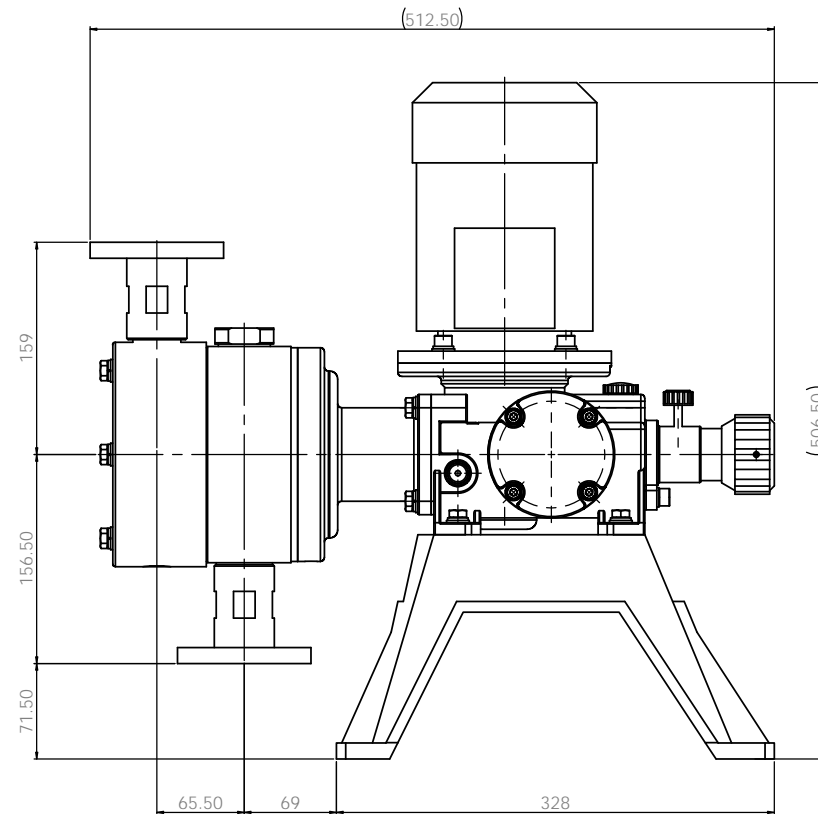
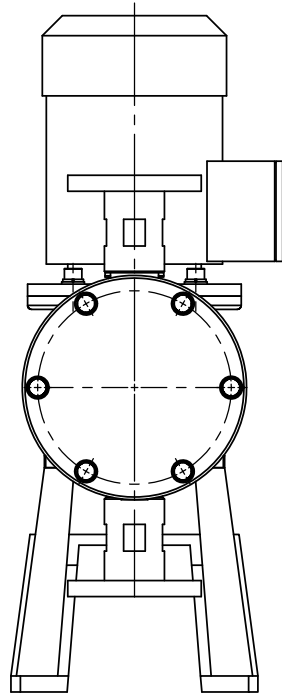
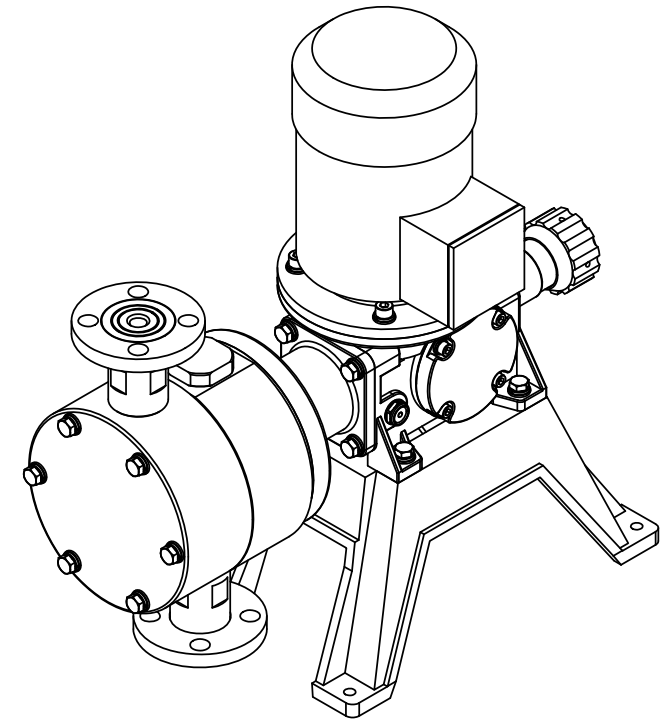
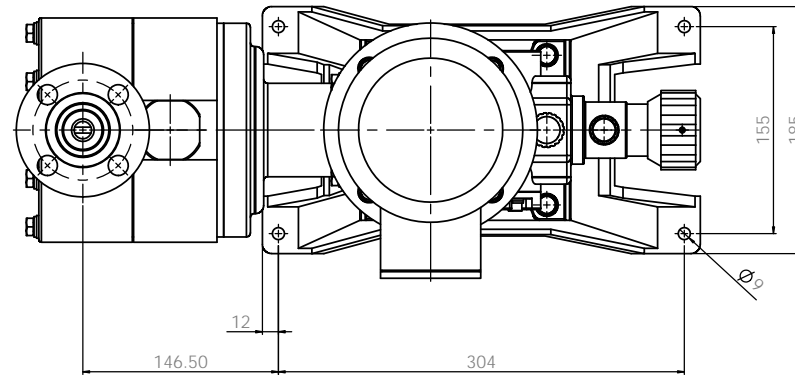
1. Model : JS6000
2. Material : PP
3. Connection : Flange
4. Drain valve : Installed

PUMP ASSEMBLY-DIM				E-WHA CHEMICAL FEEDER CO., LTD.	
DATE	REV	BY	CHK	DATE	REV
2024.02.21					
2024.02.21					
2024.02.21					
MATERIAL			PVC		
SPECIFICATION			H1000E1044B		
SCALE			A1		



Note
 1. Model : JS6000
 2. Material : PTFE
 3. Connection : Flange
 4. Drain valve : N / A

<small>ALL DIMENSIONS SPECIFIED UNLESS OTHERWISE SPECIFIED DIMENSIONS ARE IN MILLIMETERS UNLESS OTHERWISE SPECIFIED</small>				<small>DO NOT SCALE DRAWING</small>		<small>REVISION</small>	
<small>SCALE AND BREAK SHARP CORNER</small>				<small>E-WHA CHEMICAL FEEDER CO., LTD.</small>			
<small>DATE</small> <small>DATE</small> <small>DATE</small> <small>DATE</small>	<small>REV.</small> <small>REV.</small> <small>REV.</small> <small>REV.</small>	<small>BY</small> <small>BY</small> <small>BY</small> <small>BY</small>	<small>CHKD</small> <small>CHKD</small> <small>CHKD</small> <small>CHKD</small>	<small>DATE</small> <small>DATE</small> <small>DATE</small> <small>DATE</small>	<small>DATE</small> <small>DATE</small> <small>DATE</small> <small>DATE</small>	<small>DATE</small> <small>DATE</small> <small>DATE</small> <small>DATE</small>	<small>DATE</small> <small>DATE</small> <small>DATE</small> <small>DATE</small>
<small>DESIGNER</small> <small>W. PAKK</small>				<small>DATE</small> <small>2020.02.21</small>			
<small>CHECKER</small> <small>W. PAKK</small>				<small>DATE</small> <small>2020.02.21</small>			
<small>APPROVED</small> <small>S.C. KHA</small>				<small>DATE</small> <small>2020.02.21</small>			
<small>SCALE</small> <small>1:1</small>				<small>SCALE</small> <small>1:1</small>			
<small>MATERIAL</small> <small>PTFE</small>				<small>ITEM NO.</small> <small>H1004E1043B</small>			
<small>REVISION</small>				<small>SHEET 1 OF 1</small>			



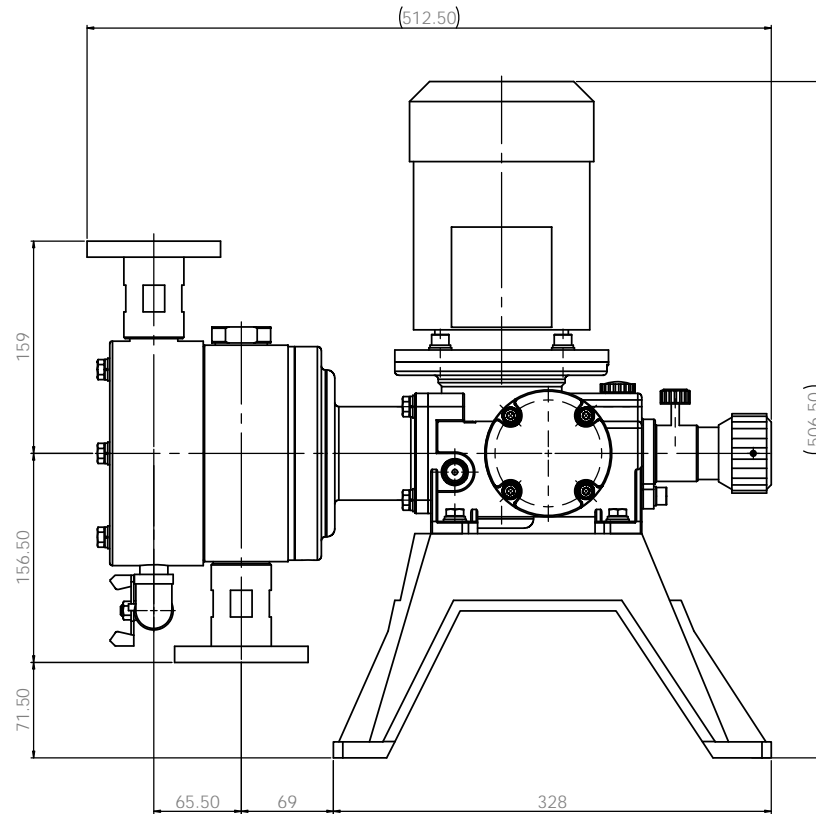
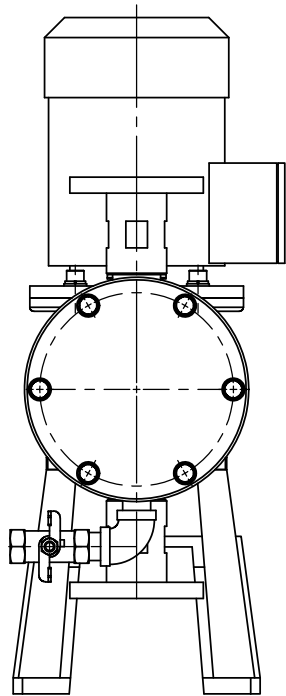
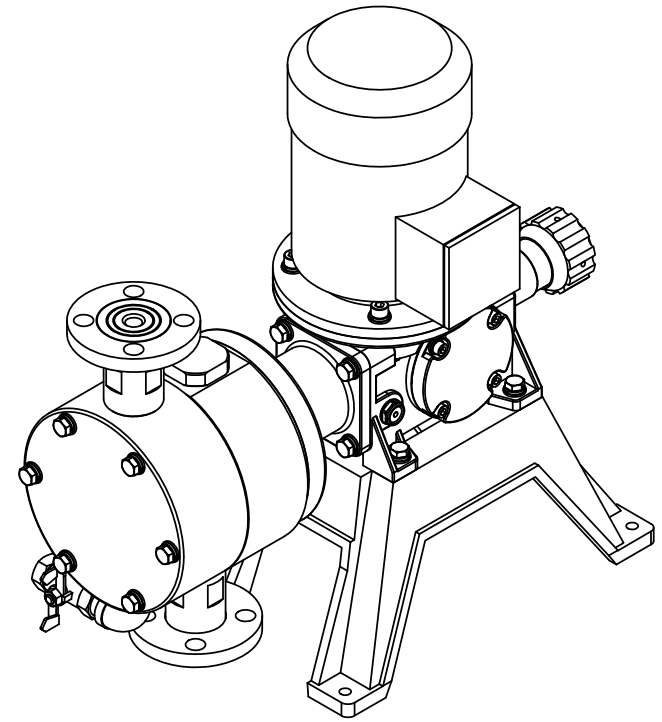
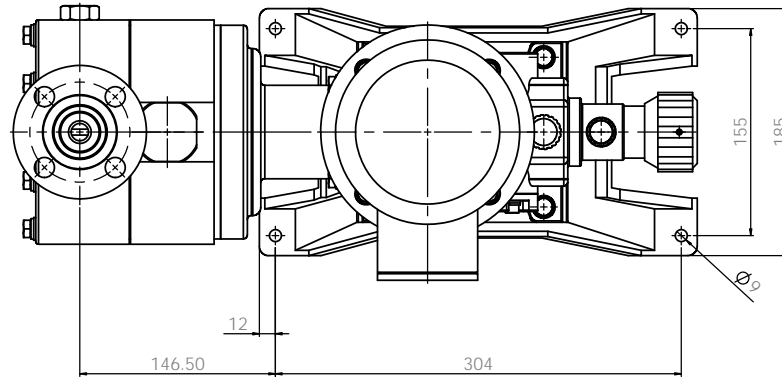
Note

1. Model : JS6000
2. Material : Stainless steel
3. Connection : Flange
4. Drain valve : Not installed

PANEL DIMENSIONS SPECIFIED CONDIZIONE ARE IN MILLEMETRI				UNITS		SCALE AND BREAK SHARP EDGES		DO NOT SCALE DRAWING		REVISION	
DIMENSIONS: UNITS: ANGULAR											
DRAWN	DATE	DESIGNED	DATE								
CHECK	DATE										
APPROV	DATE										
DATE											
MATERIAL				SUS304		DWG NO.		H1301E1043B		A1	
REVISION				SCALE 1:1		SHEET 1 OF 1					

E-WHA CHEMICAL FEEDER CO., LTD.

PUMP ASSEMBLY-DIM
JS6000S4S4F-KS 10K 20A FF



Note
 1. Model : JS6000
 2. Material : Stainless steel
 3. Connection : Flange
 4. Drain valve : Installed

PANELS DIMENSIONS SPECIFIED DIMENSIONS ARE IN MILLIMETERS TOLERANCES: HORIZONTAL ANGULAR		FINISH	SCALE AND BREAK SHARP EDGES		DO NOT SCALE DRAWING	REVISION
DATE	BY	DATE	BY	DATE	BY	DATE
DESIGN	W. PARK	2008.02.21				
CHECK	W. PARK	2008.02.21				
APPROV	S.C. KIM	2008.02.21				
DATE						
MATERIAL			SUS304		SUS304	
DRAWING NO.			H1301E1044B		H1301E1044B	
SCALE 1:1			SCALE 1:1		SCALE 1:1	
SHEET 1 OF 1			SHEET 1 OF 1		SHEET 1 OF 1	

E-WHA CHEMICAL FEEDER CO., LTD.

PUMP ASSEMBLY-DIM
 JS6000S4S4FD-KS 10K 20A FF

A1