

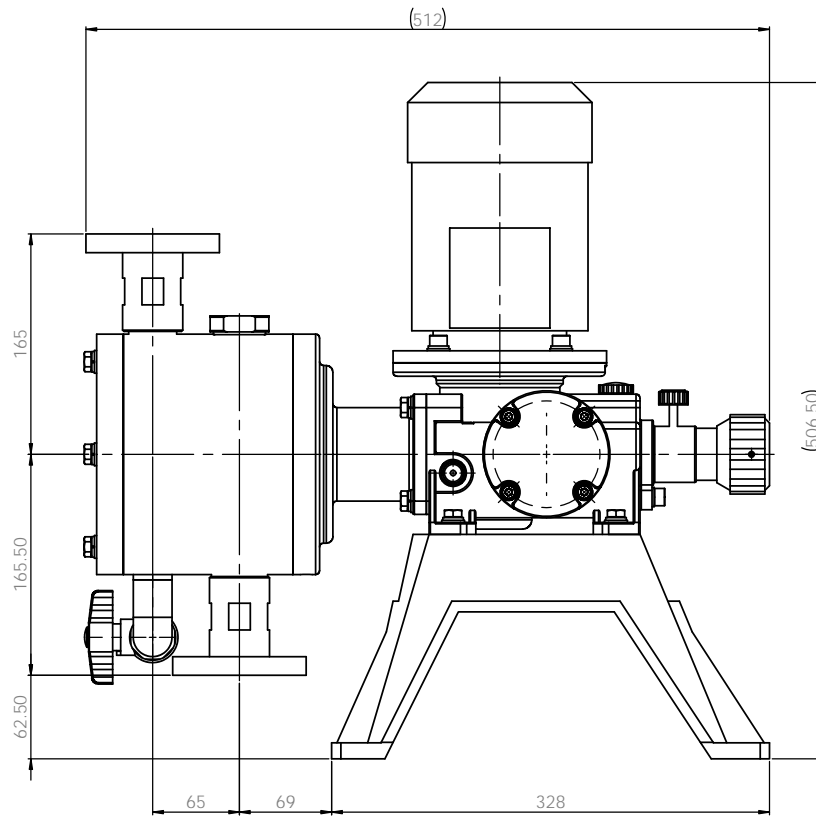
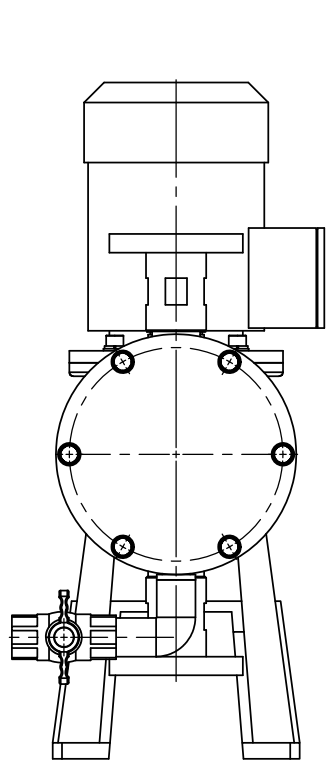
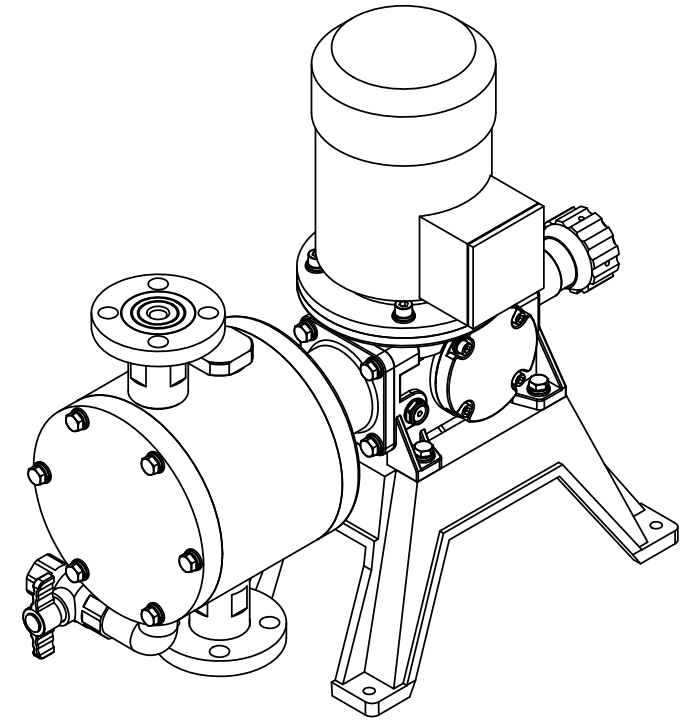
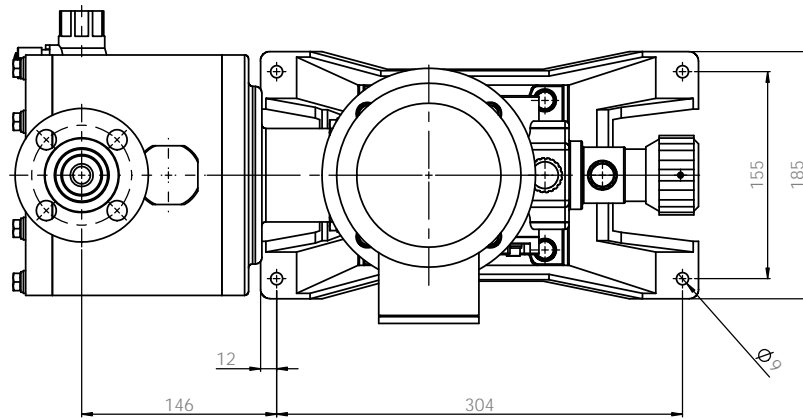
Note
 1. Model : JS8000
 2. Material : PP / PVDF
 3. Connection : Flange
 4. Drain valve : Not installed

PANEL DIMENSIONS SPECIFIED DIMENSIONS ARE IN MILLIMETERS				TOLERANCES UNLESS SPECIFIED		FINISH AND SURFACE GRAB DETAILS		DO NOT SCALE DRAWING		REVISION	
DATE	BY	CHKD	APP'D	DATE	BY	DATE	BY	NO.	DESCRIPTION	DATE	BY
2010.12.10											
2010.12.10											
2010.12.10											
DRAWN: W. PARK				DESIGNED: W. PARK		MATERIAL: PVC		EQUIV. NO. H1000E1047B		SCALE: 1:1	
CHKD: W. PARK				MATERIAL: PVC		EQUIV. NO. H1000E1047B		SCALE: 1:1		SHEET 1 OF 1	
APP'D: S.C. KIM				MATERIAL: PVC		EQUIV. NO. H1000E1047B		SCALE: 1:1		SHEET 1 OF 1	
MFG: 2010.12.10				MATERIAL: PVC		EQUIV. NO. H1000E1047B		SCALE: 1:1		SHEET 1 OF 1	
D/A:				MATERIAL: PVC		EQUIV. NO. H1000E1047B		SCALE: 1:1		SHEET 1 OF 1	
REQD:				MATERIAL: PVC		EQUIV. NO. H1000E1047B		SCALE: 1:1		SHEET 1 OF 1	

E-WHA CHEMICAL FEEDER CO., LTD.

PUMP ASSEMBLY-DIM
 JS8000PCF-KS 10K 20A FF

H1000E1047B A1



Note

1. Model : JS8000
2. Material : PP
3. Connection : Flange
4. Drain valve : Installed

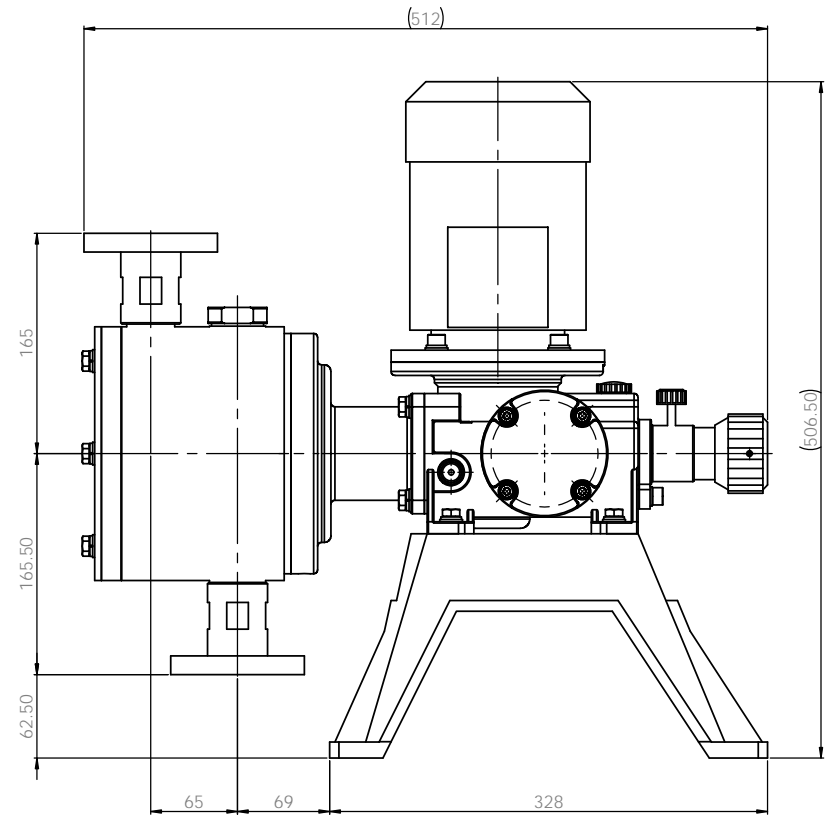
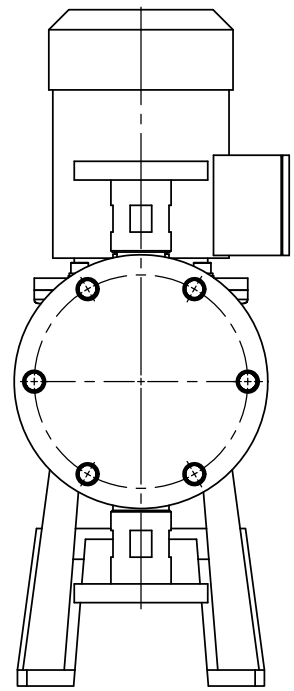
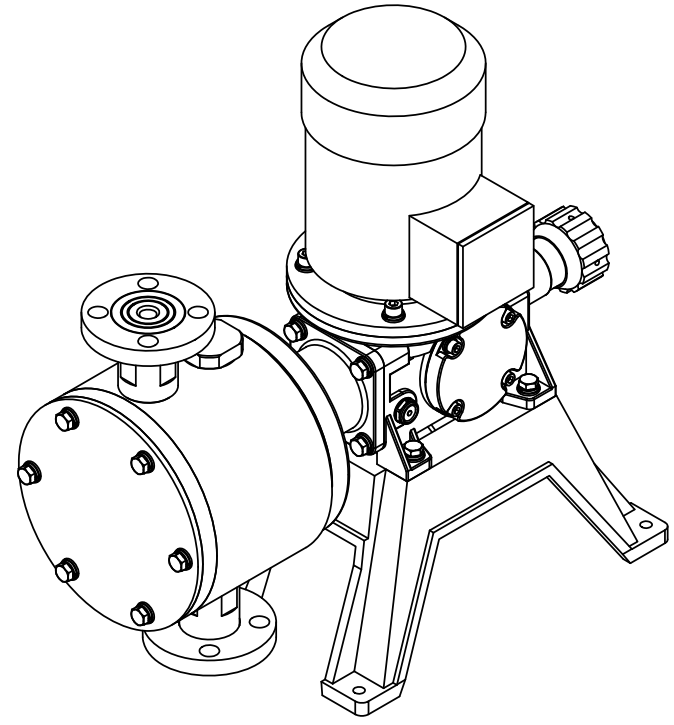
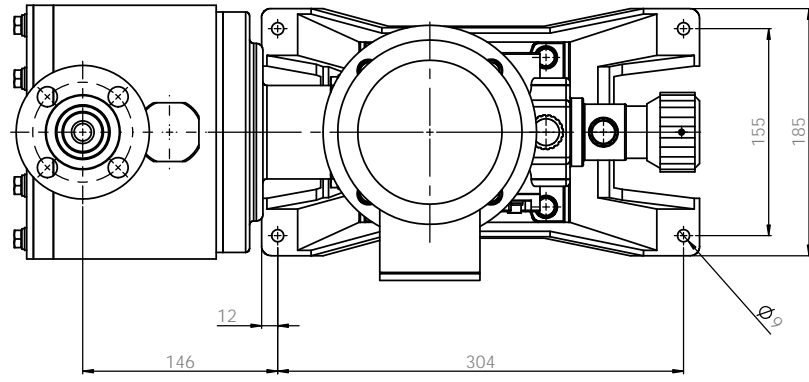
PANEL DIMENSIONS SPECIFIED DIMENSIONS ARE IN MILLIMETERS UNLESS OTHERWISE SPECIFIED		FINISH		TOLERANCE AND BREAK SHARP EDGES		DO NOT SCALE DRAWING		REVISION	
DATE	SCALE	DATE	SCALE	DATE	SCALE	DATE	SCALE	DATE	SCALE
DESIGN	W. PARK	2010.12.10							
CHECK	W. PARK	2010.12.10							
APPROV	S.C. KIM	2010.12.10							
DATE									
MATERIAL		PVC		DIMENSION		H1000E1048B		A1	
REVISION		SCALE 1:1		SHEET 1 OF 1					

E-WHA CHEMICAL FEEDER CO., LTD.

PUMP ASSEMBLY-DIM
JS8000PCFD-KS 10K 20A FF

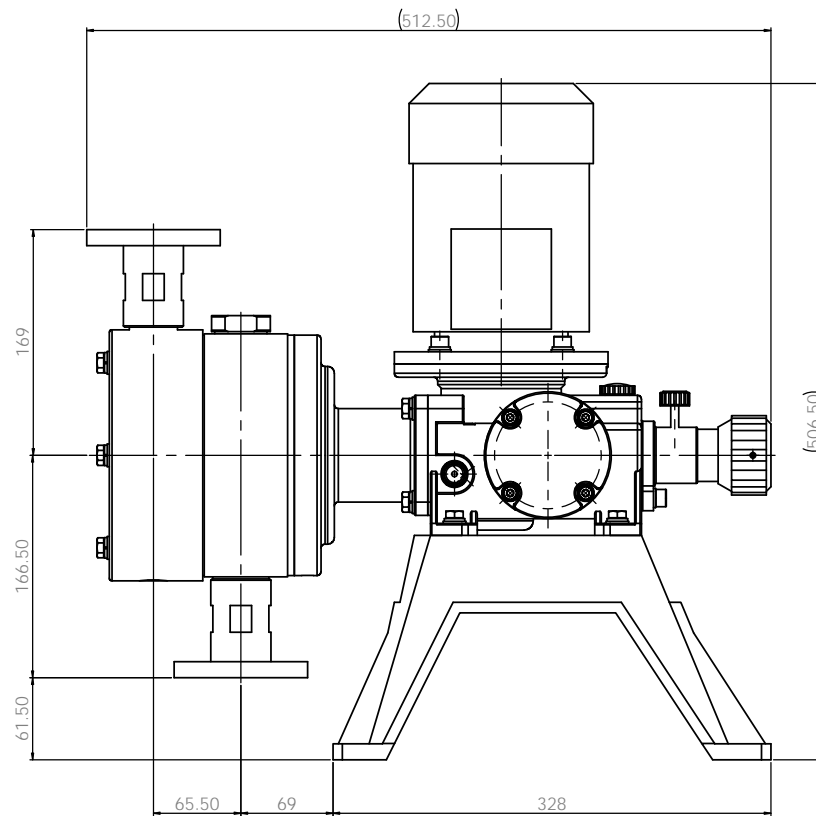
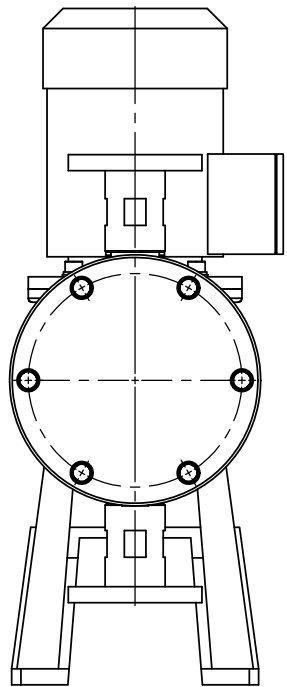
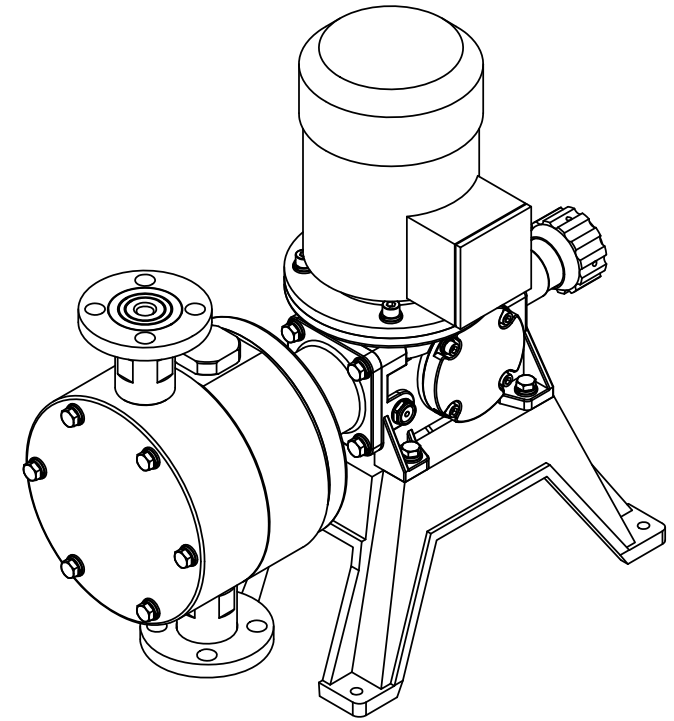
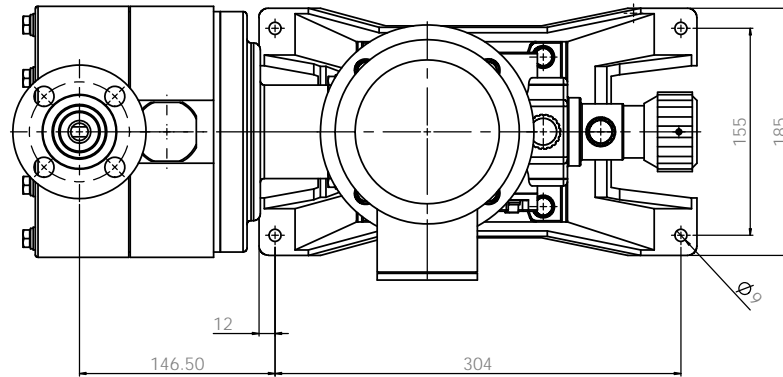
H1000E1048B

SCALE 1:1



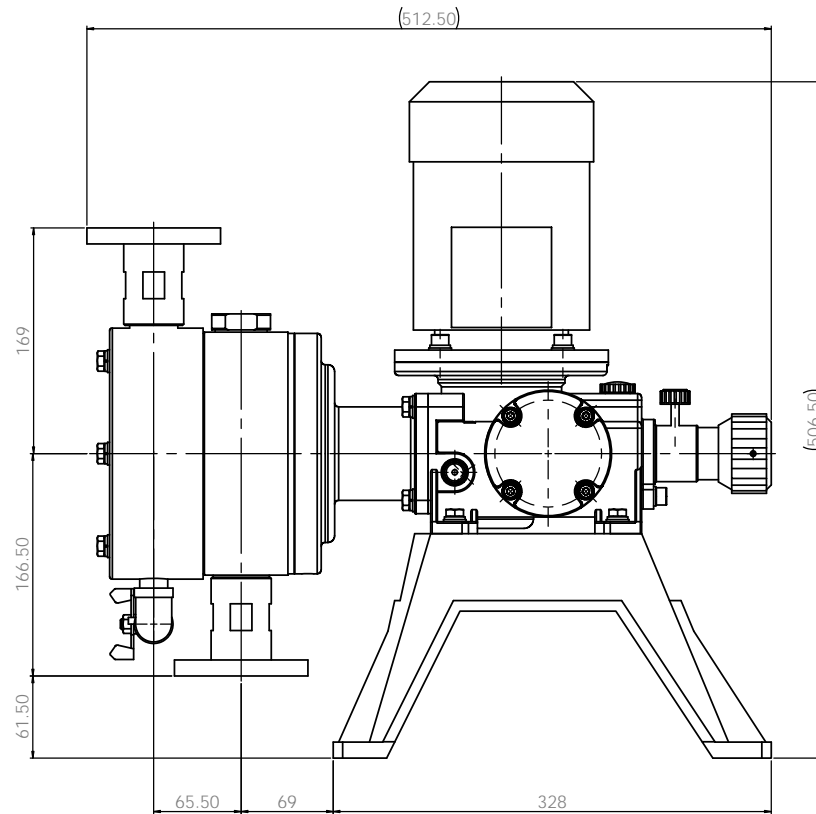
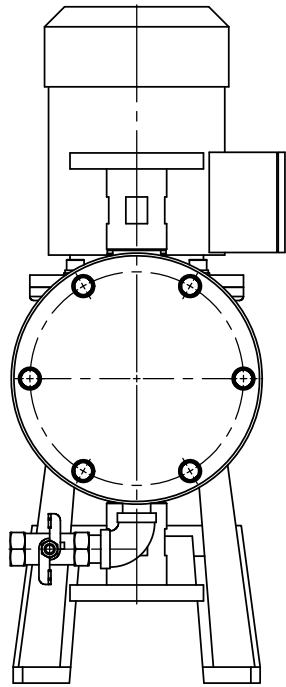
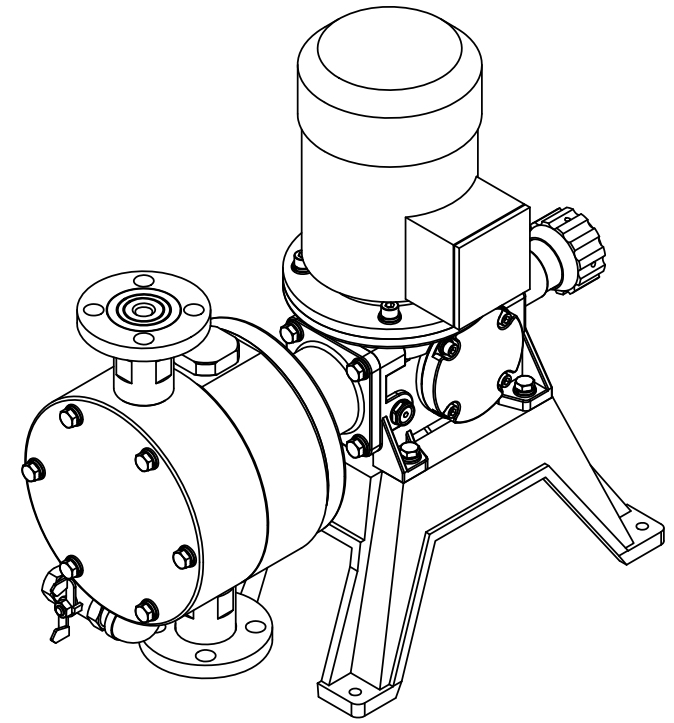
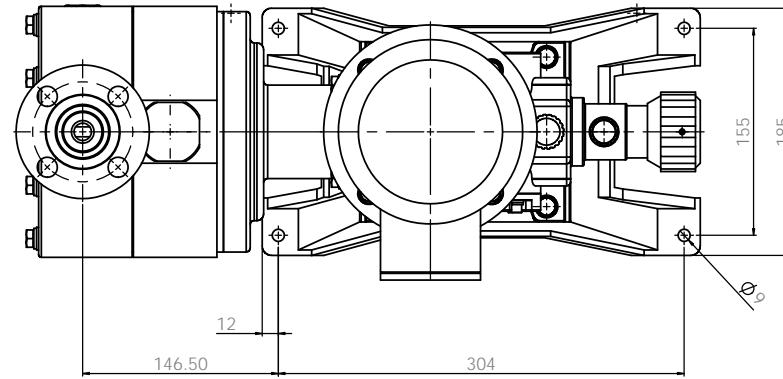
Note
 1. Model : JS8000
 2. Material : PTFE
 3. Connection : Flange
 4. Drain valve : N / A

PUMP ASSEMBLY-DIM		E-WHA CHEMICAL FEEDER CO., LTD.	
JS8000TCF-KS 10K 20A FF		PUMP ASSEMBLY-DIM	
H1004E1047B		H1004E1047B	
PTFE		PTFE	
A1		A1	



Note
 1. Model : JS8000
 2. Material : Stainless steel
 3. Connection : Flange
 4. Drain valve : Not installed

PUMP ASSEMBLY SPECIFIED DIMENSIONS ARE IN MILLIMETERS UNLESS OTHERWISE SPECIFIED				SCALE AND BASIC SHARP EDGES		DO NOT SCALE DRAWING		REVISION	
DATE	BY	CHKD	APP'D	SCALE	UNIT	NO.	DESCRIPTION	DATE	BY
2020.02.21	W. PARK								
2020.02.21	W. PARK								
2020.02.21	S.C. KIM								
MATERIAL: SUS304				DRAWING NO: H1301E1047B		SHEET NO: A1		E-WHA CHEMICAL FEEDER CO., LTD.	
SCALE: 1:1				SHEET: 1 OF 1					



Note
 1. Model : JS8000
 2. Material : Stainless steel
 3. Connection : Flange
 4. Drain valve : Installed

ALL DIMENSIONS SPECIFIED UNLESS OTHERWISE SPECIFIED DIMENSIONS ARE IN MILLIMETERS TOLERANCES: FINISH: ANGULAR		DIMENSIONS FINISH: ANGULAR	DO NOT SCALE DRAWING REVISION
DRAWN: W. PARK CHECK: W. PARK APPROV: S.C. KIM DATE: 2020.02.21 DATE: 2020.02.21 DATE: 2020.02.21	DESIGNED: W. PARK DATE: 2020.02.21	MATERIAL: SUS304	E-WHA CHEMICAL FEEDER CO., LTD. PUMP ASSEMBLY-DIM JS8000S4S4FD-KS 10K 20A FF SHEET NO. H1301E1048B SCALE: 1:1 SHEET 1 OF 1