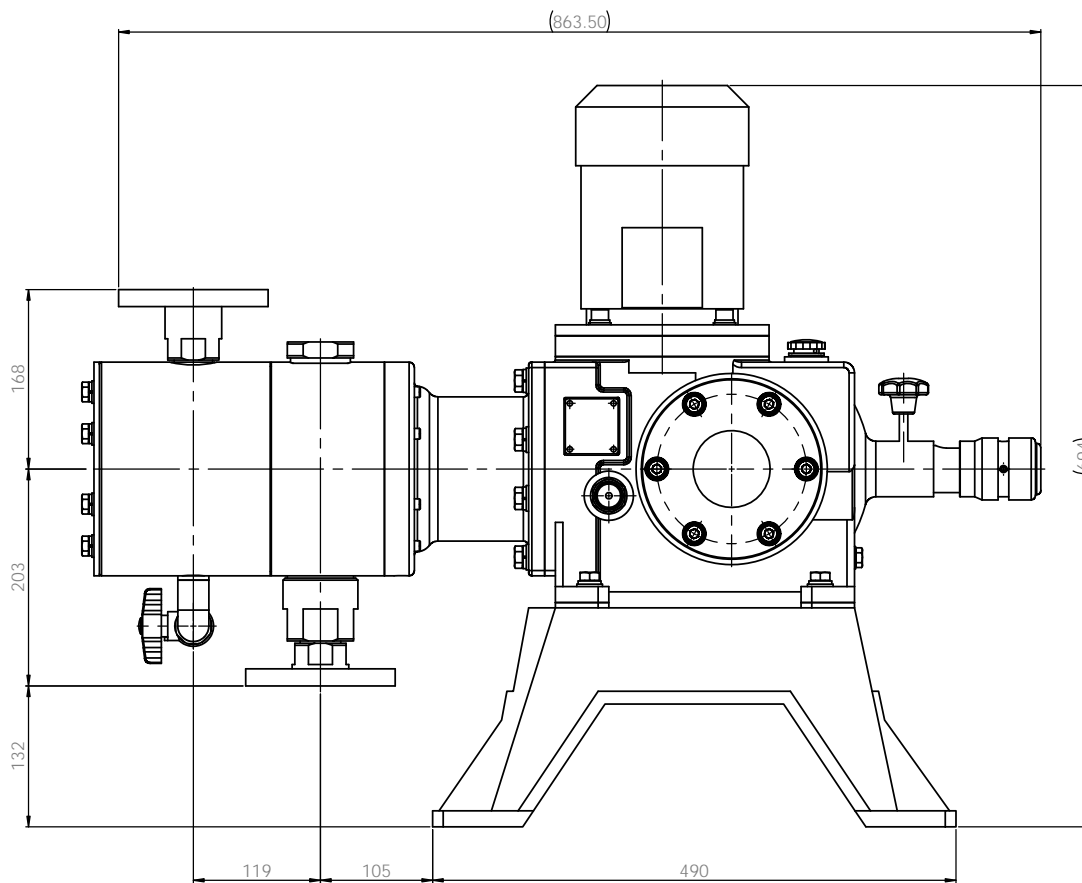
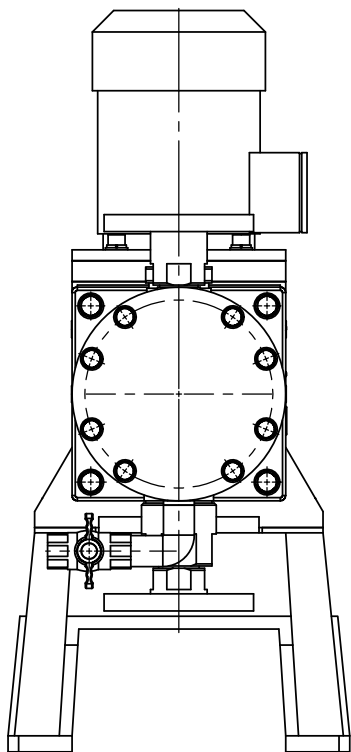
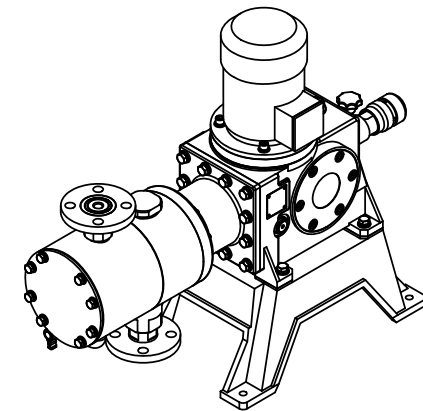
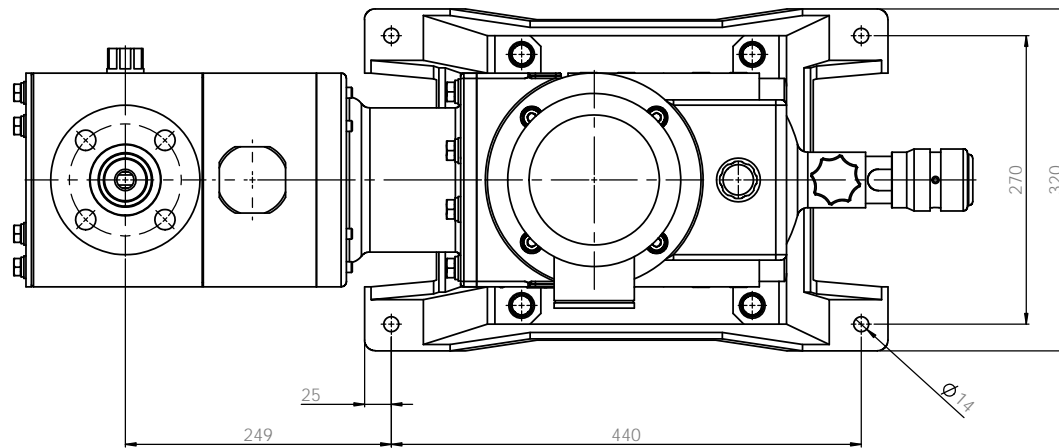


Note

1. Model : JL10L
2. Material : PP / PVDF / PTFE.
3. Connection : Flange
4. Drain valve : Not installed

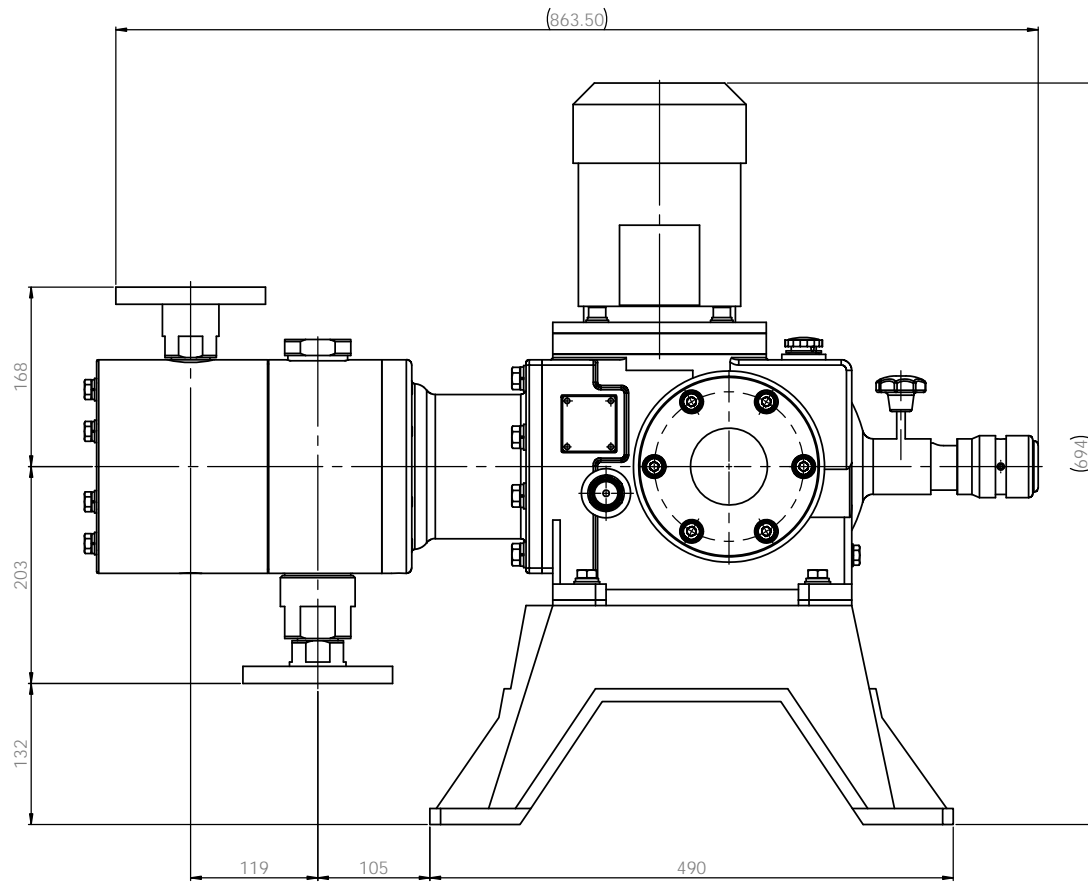
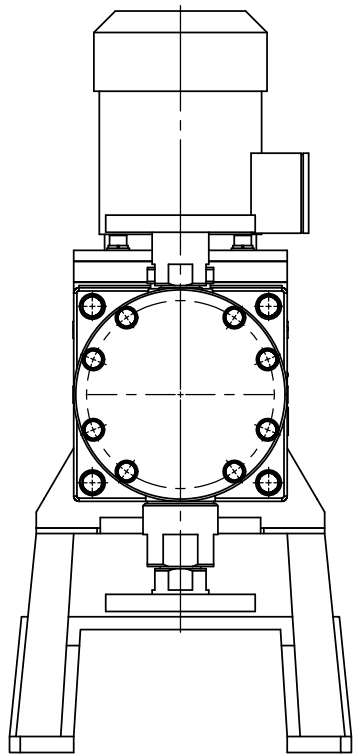
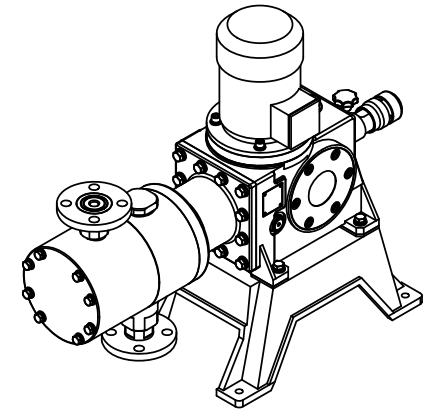
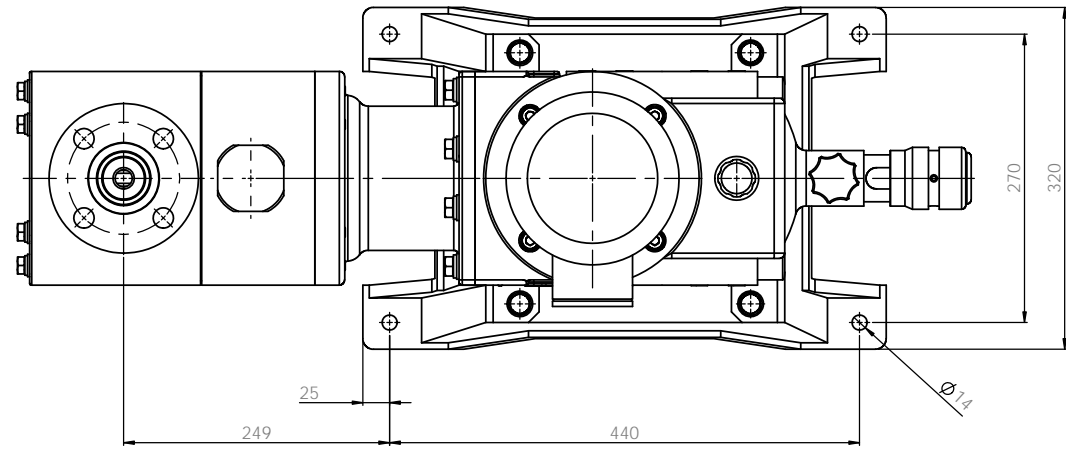
ALL DIMENSIONS SPECIFIED UNLESS OTHERWISE SPECIFIED DIMENSIONS ARE IN MILLIMETERS UNLESS INDICATED OTHERWISE		DIMENSIONS ARE IN MILLIMETERS UNLESS INDICATED OTHERWISE		DO NOT SCALE DRAWING		REVISION	
DRAWN : W. PARK CHECKED : W. PARK APPROVED : S.C. KIM DATE : 2020.02.21 DATE : 2020.02.21 DATE : 2020.02.21	DESIGNED : S.C. KIM DATE : 2020.02.21	MATERIAL : PVC	DIMENSION : C1300E1003C	E-WHA CHEMICAL FEEDER CO., LTD. PUMP ASSEMBLY-DIM JL10LPCF-KS 10K 40A FF			
SCALE : 1:1		SHEET : 1 OF 1		A1			



Note

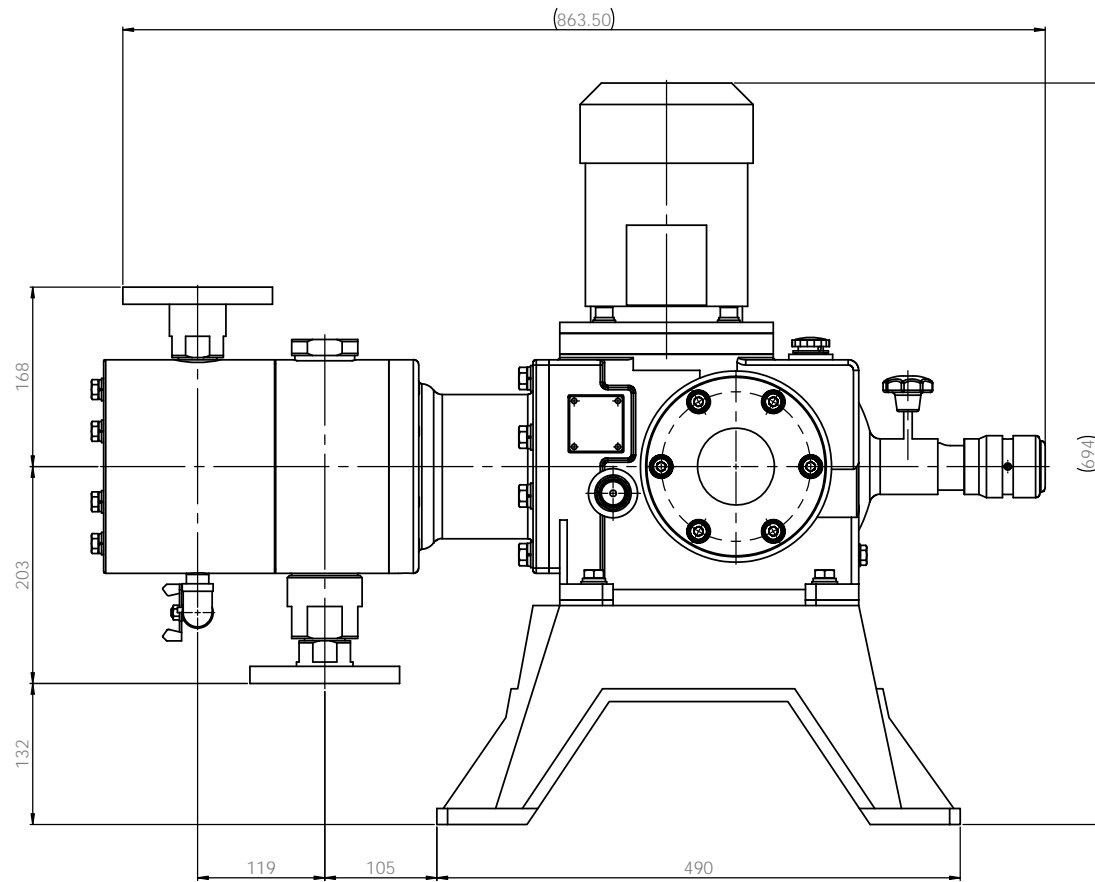
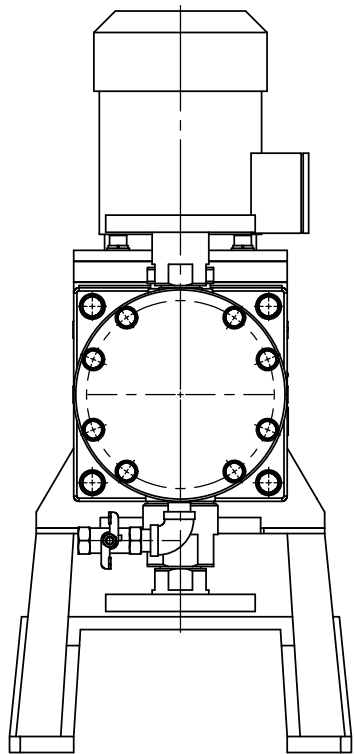
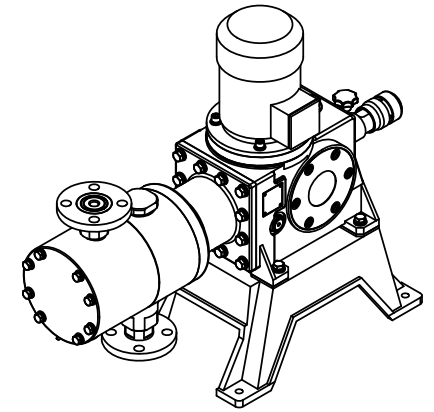
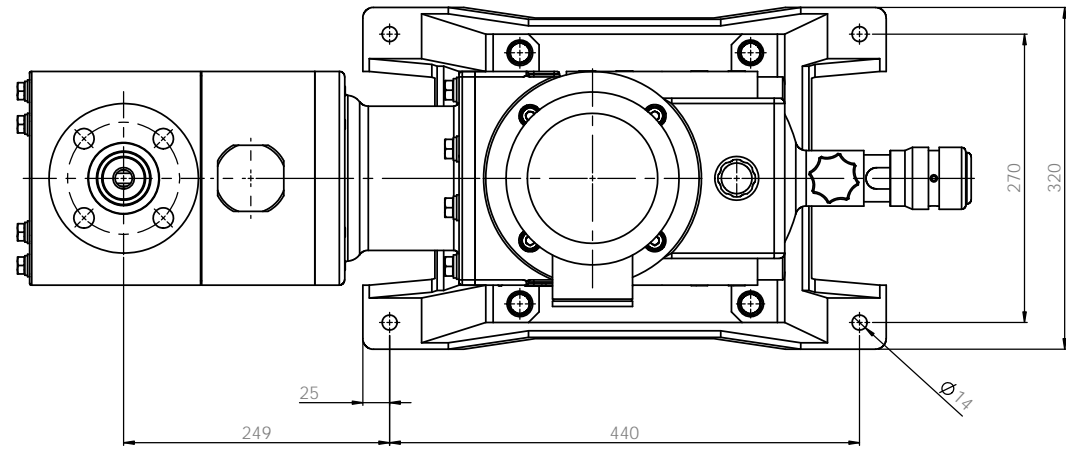
1. Model : JL10L
2. Material : PP
3. Connection : Flange
4. Drain valve : Installed

ALL DIMENSIONS SPECIFIED UNLESS OTHERWISE SPECIFIED DIMENSIONS ARE IN MILLIMETERS TOLERANCES UNLESS SPECIFIED: FINISH: ANGULAR		DIMENSIONS SPECIFIED UNLESS OTHERWISE SPECIFIED FINISH: ANGULAR	DO NOT SCALE DRAWING	REVISION
DRAWN: W. PARK CHECK: W. PARK APPROV: S.C. KIM DATE: 2020.02.21 DATE: 2020.02.21 DATE: 2020.02.22	DATE: 2020.02.21 DATE: 2020.02.21 DATE: 2020.02.22	MATERIAL: PVC	E-WHA CHEMICAL FEEDER CO., LTD. PUMP ASSEMBLY-DIM JL10LPCFD-KS 10K 40A FF	SHEET NO.: C1300E1004C A1



- Note**
1. Model : JL10L
 2. Material : Stainless steel
 3. Connection : Flange
 4. Drain valve : Not installed

PUMP ASSEMBLY-DIM				E-WHA CHEMICAL FEEDER CO., LTD.	
DATE	REV	BY	CHK	SCALE	SHEET
2020.02.21				1:1	1/1
2020.02.21					
2020.02.21					
MATERIAL			SUS304		
DRAWING NO.			C1301E1003C		
SCALE			SCALE 1:1		



Note

1. Model : JL10L
2. Material : Stainless steel
3. Connection : Flange
4. Drain valve : Installed

PUMP ASSEMBLY-DIM				E-WHA CHEMICAL FEEDER CO., LTD.	
DATE	REV	BY	CHK	SCALE	SHEET
2020.02.21				1:1	1/1
2020.02.21					
2020.02.21					
MATERIAL: SUS304			DRAWING NO: C1301E1004C		A1
SCALE: 1:1			SHEET 1 OF 1		