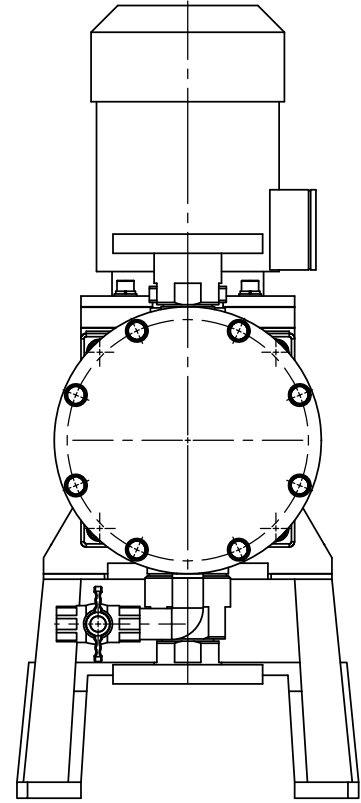
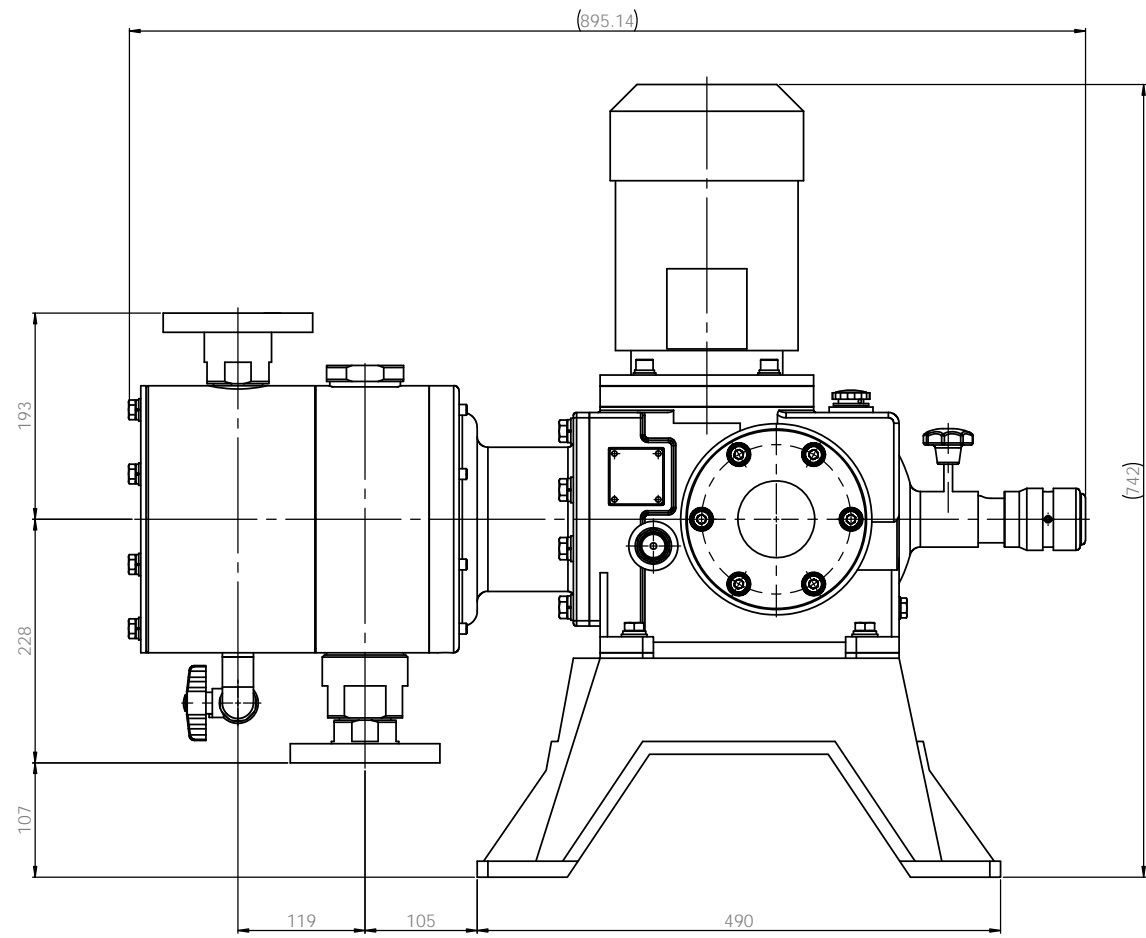
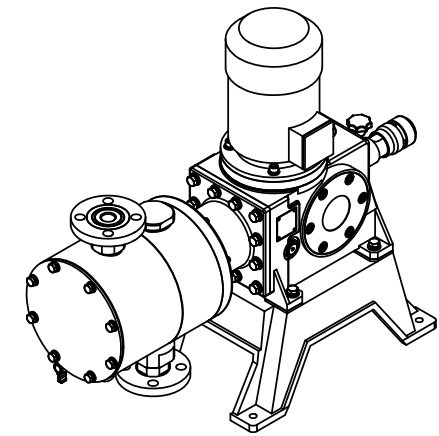
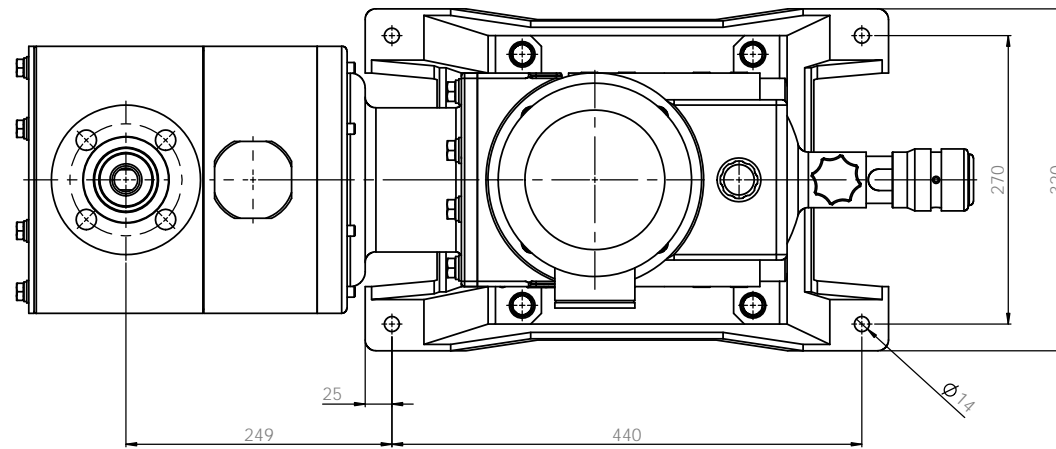


Note

1. Model : JL20L
2. Material : PP / PVDF / PTFE.
3. Connection : Flange
4. Drain valve : Not installed

PUMP ASSEMBLY-DIM		E-WHA CHEMICAL FEEDER CO., LTD.	
JL20LPCF-KS 10K 40A FF		PVC	
C1300E1007A		A1	



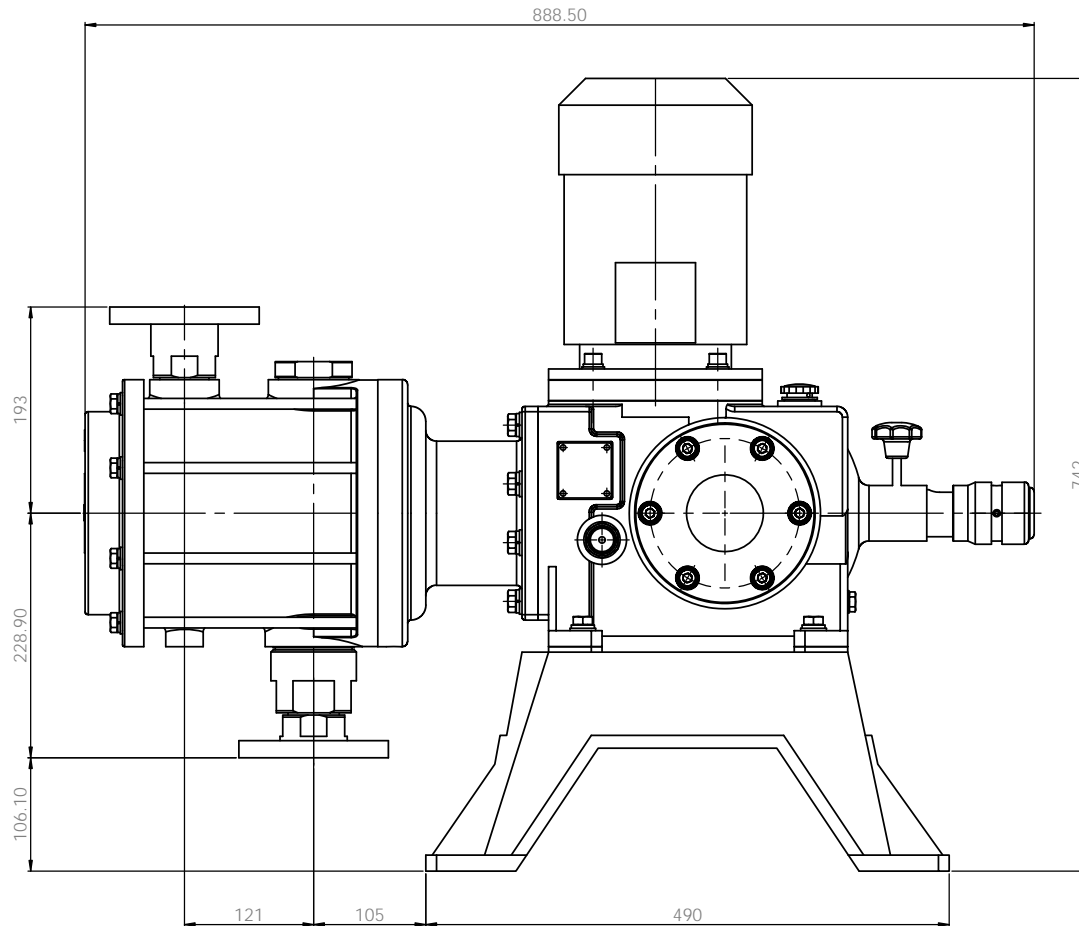
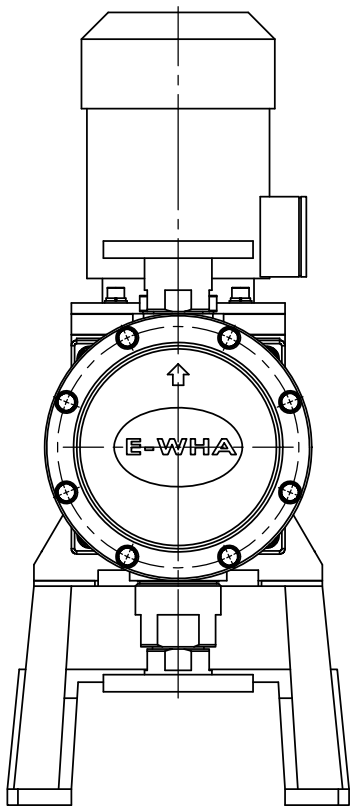
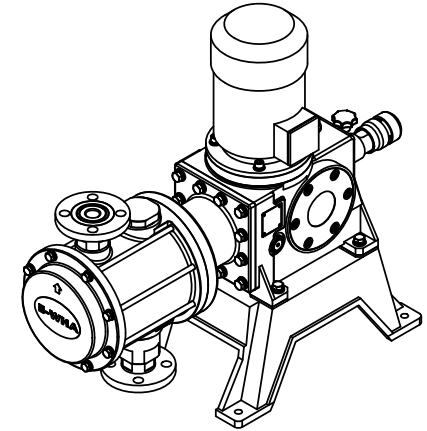
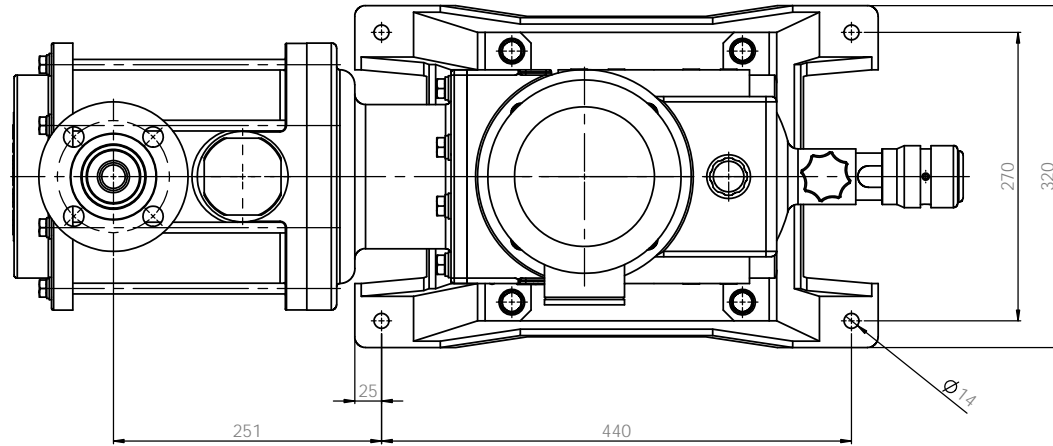
Note
 1. Model : JL20L
 2. Material : PP
 3. Connection : Flange
 4. Drain valve : Installed

ALL DIMENSIONS SPECIFIED UNLESS OTHERWISE SPECIFIED DIMENSIONS ARE IN MILLIMETERS TOLERANCES FINISH ANGULAR			DIMENSIONS FINISH BEZEL GRASP FINISH		DO NOT SCALE DRAWING REVISION	
DRAWN : CHECK : APPROV : DATE :	DATE : DATE : DATE :	DATE : DATE : DATE :	DATE : DATE : DATE :	DATE : DATE : DATE :	DATE : DATE : DATE :	DATE : DATE : DATE :
MATERIAL : PVC			DIMENSION : C1300E1008A		SHEET : 1 OF 1	

E-WHA CHEMICAL FEEDER CO., LTD.

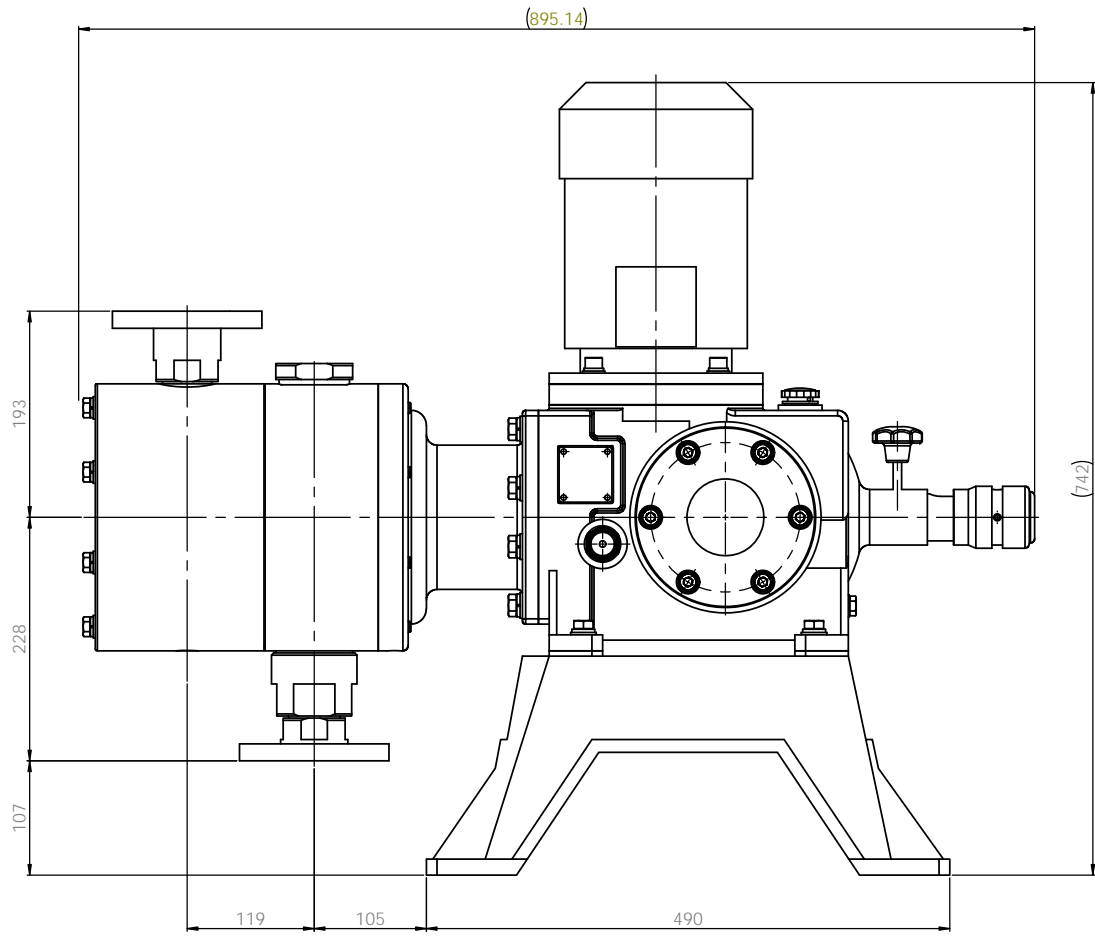
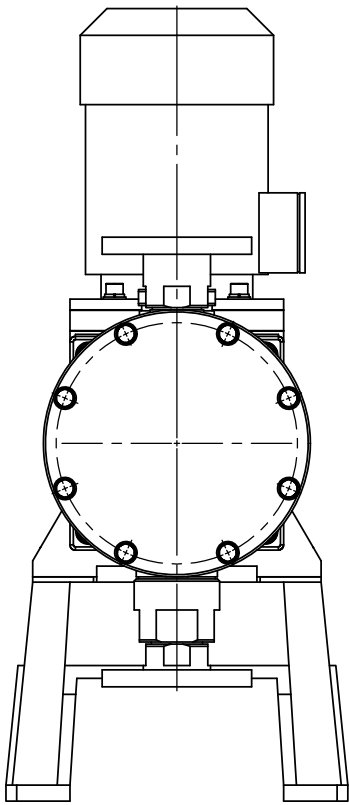
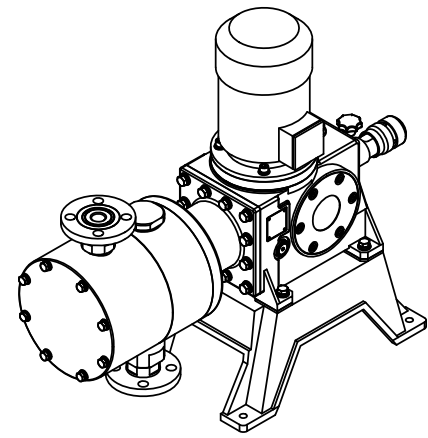
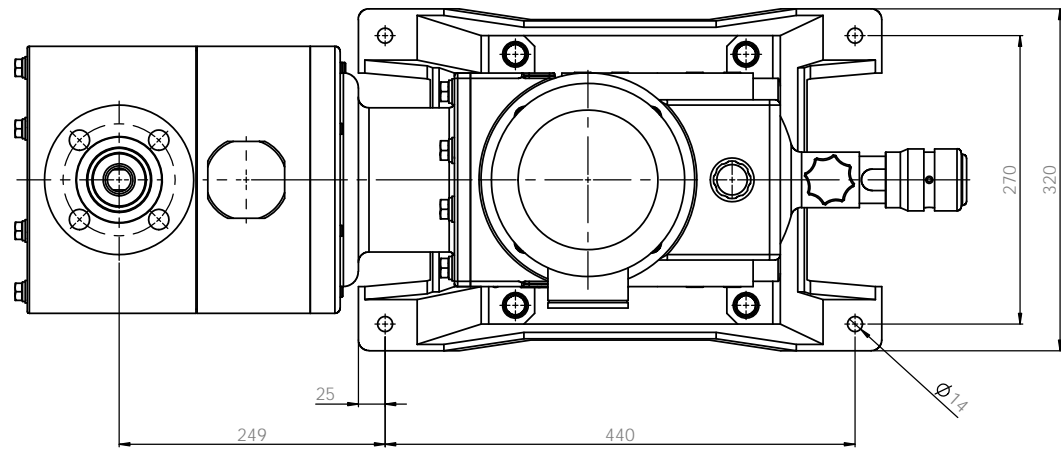
PUMP ASSEMBLY-DIM
 JL20LPCFD-KS 10K 40A FF

A1



Note
 1. Model : JL20L
 2. Material : Stainless steel(Cast)
 3. Connection : Flange
 4. Drain valve : Not installed

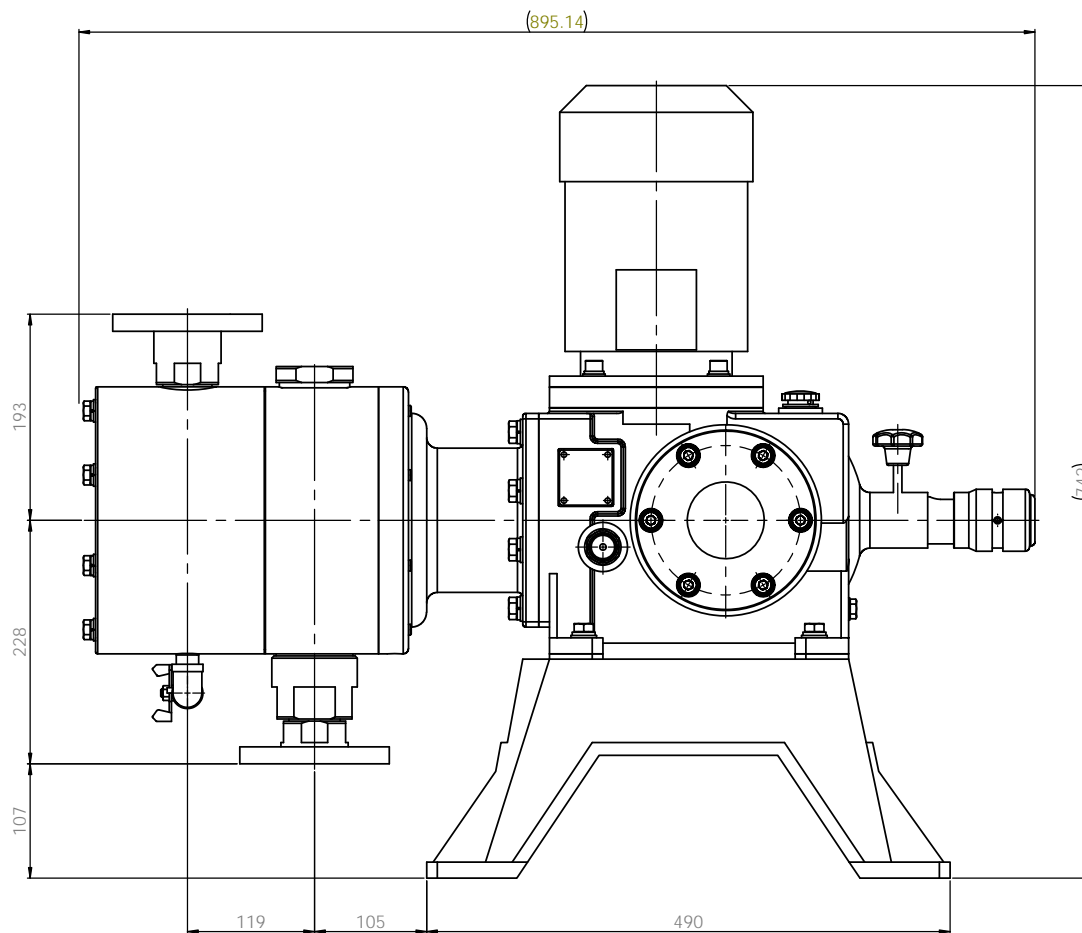
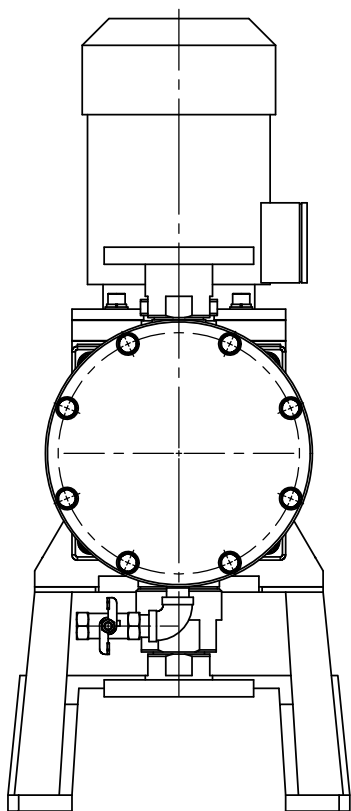
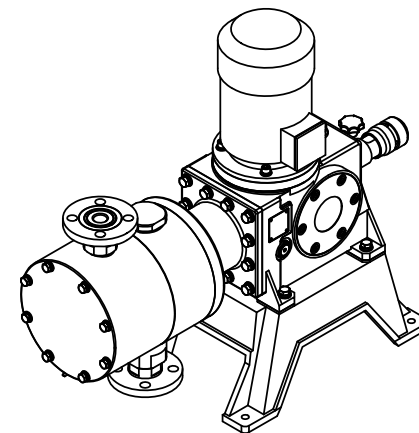
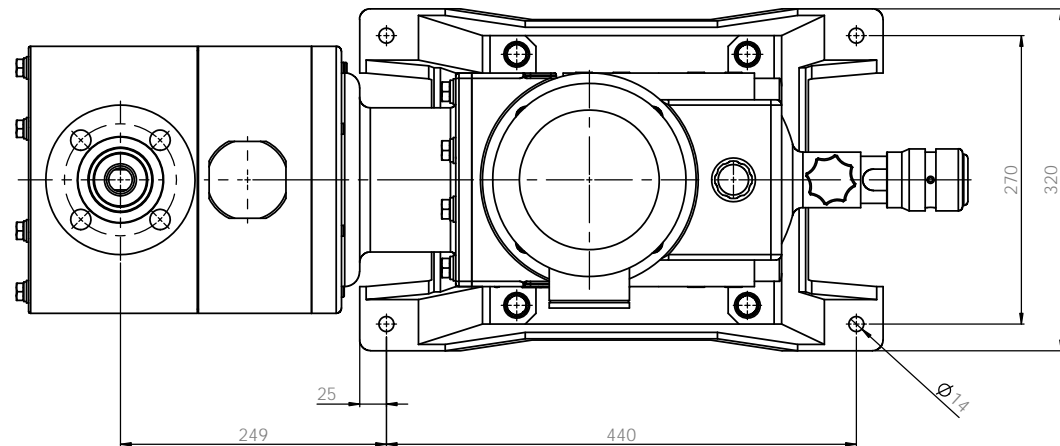
ALL DIMENSIONS SPECIFIED UNLESS OTHERWISE SPECIFIED DIMENSIONS ARE IN MILLIMETERS TOLERANCES: FINISH: ANGULAR:		FINISH: BRUSH BEZEL SHARP EDGE:	DO NOT SCALE DRAWING REVISION:
DRAWN: W. PARK CHECK: W. PARK APPROV: S.C. KIM DATE: 2020.02.21 DATE: 2020.02.21 DATE: 2020.02.21	TITLE: PUMP ASSEMBLY-DIM JL20LS4S4F-KS 10K 40A FF	MATERIAL: SUS304	DWG NO: C1201E1007A
E-WHA		SCALE: 2:1	SHEET 1 OF 1



Note

1. Model : JL20L
2. Material : Stainless steel
3. Connection : Flange
4. Drain valve : Not installed

ALL DIMENSIONS SPECIFIED UNLESS OTHERWISE SPECIFIED DIMENSIONS ARE IN MILLIMETERS TOLERANCES: FINISH: ANGULAR		FINISH: BREAK SHARP EDGES	DO NOT SCALE DRAWING	REVISION
DRAWN: W. PARK CHECK: W. PARK APPROV: S.C. KIM	DESIGNED: S.C. KIM DATE: 2016.02.21 DATE: 2016.02.21 DATE: 2016.02.21	TITLE: PUMP ASSEMBLY-DIM JL20LS4S4F-KS 10K 40A FF	E-WHA CHEMICAL FEEDER CO., LTD.	
D.L.A.	MATERIAL: SUS304	DWG. NO.: C1301E1007A	SCALE: 1:1	SHEET 1 OF 1



Note
 1. Model : JL20L
 2. Material : Stainless steel
 3. Connection : Flange
 4. Drain valve : Installed

PUMP ASSEMBLY-DIM		E-WHA CHEMICAL FEEDER CO., LTD.	
JL20LS4S4FD-KS 10K 40A FF		C1301E1008A	
SUS304		A1	