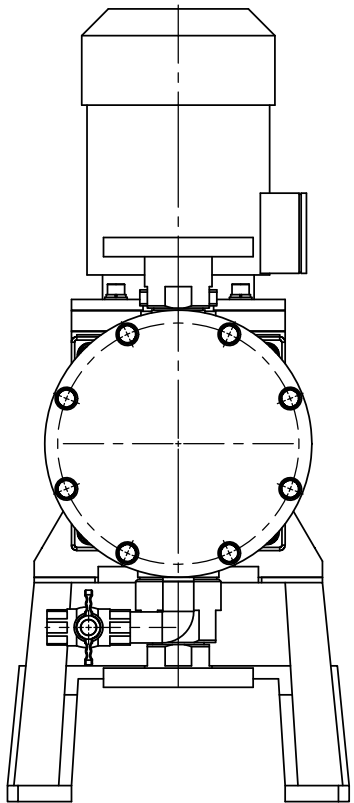
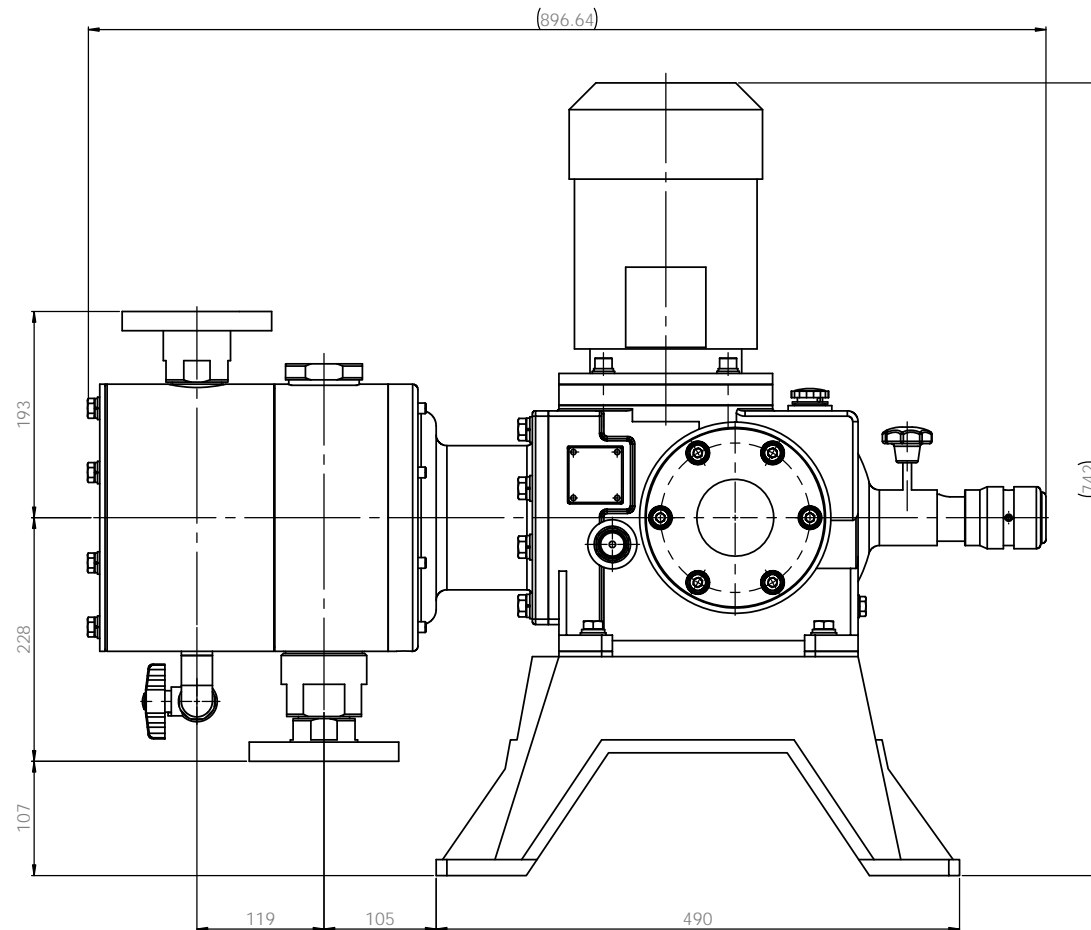
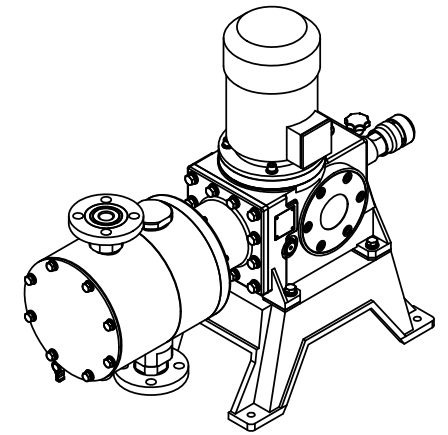
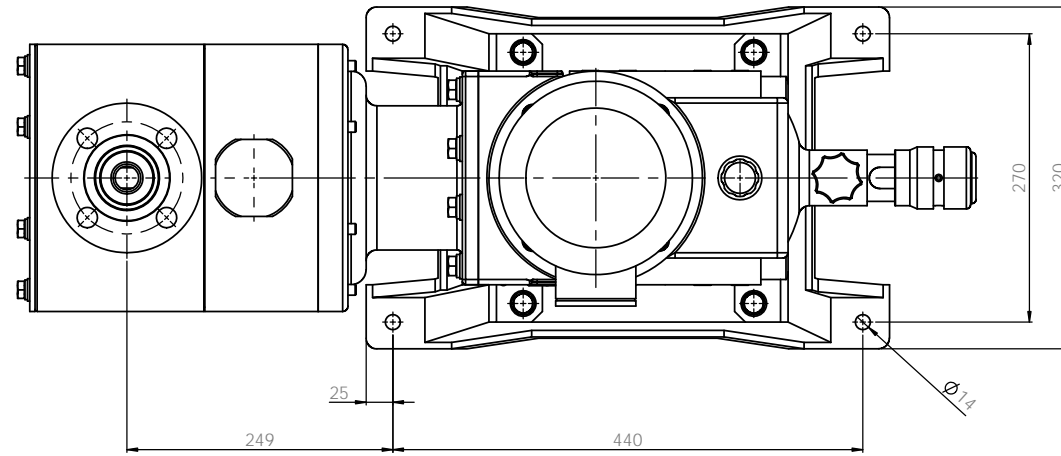


Note

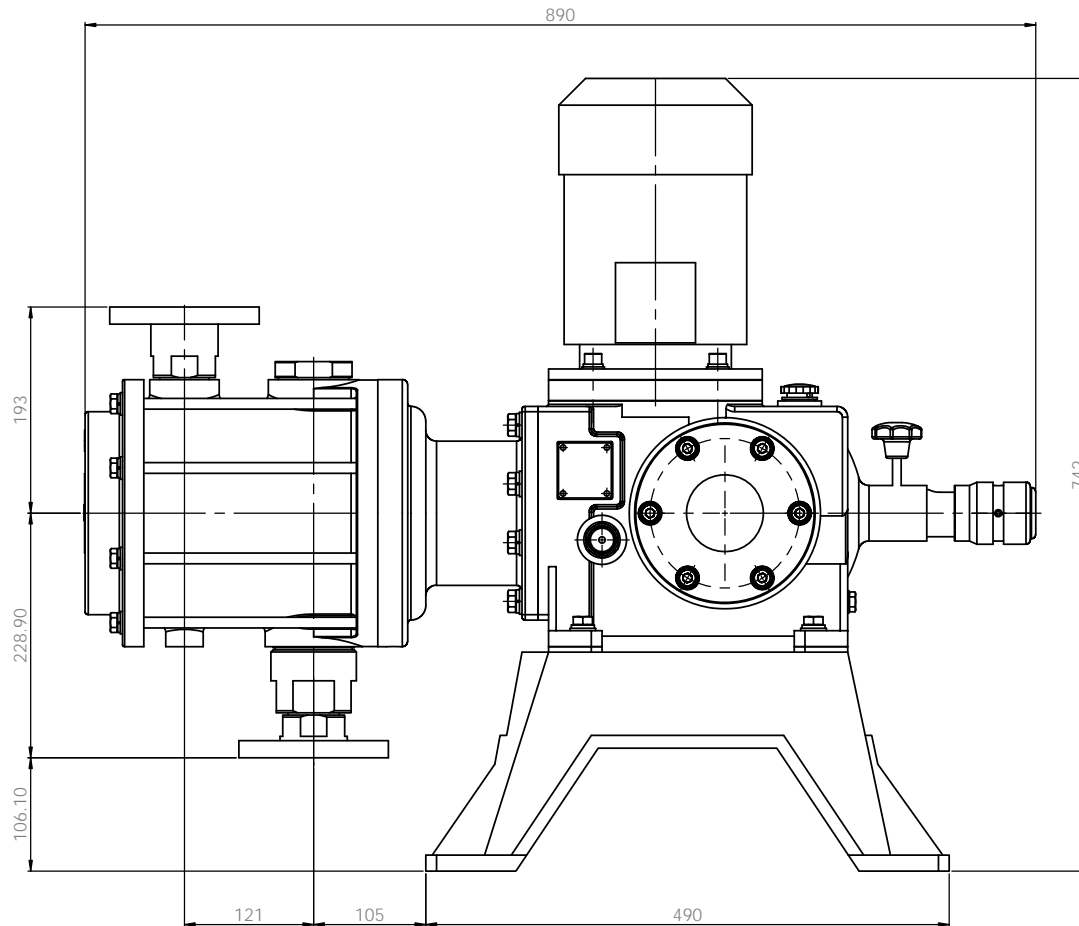
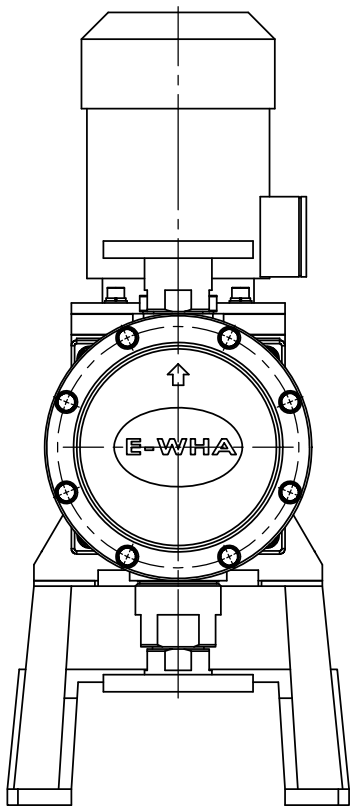
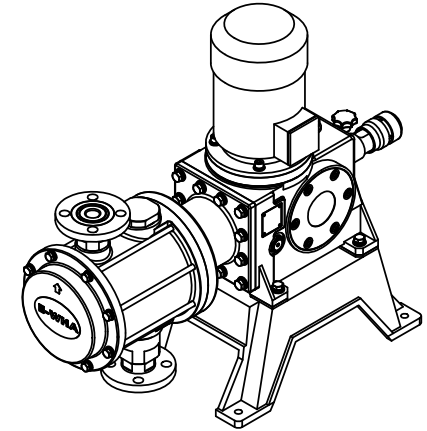
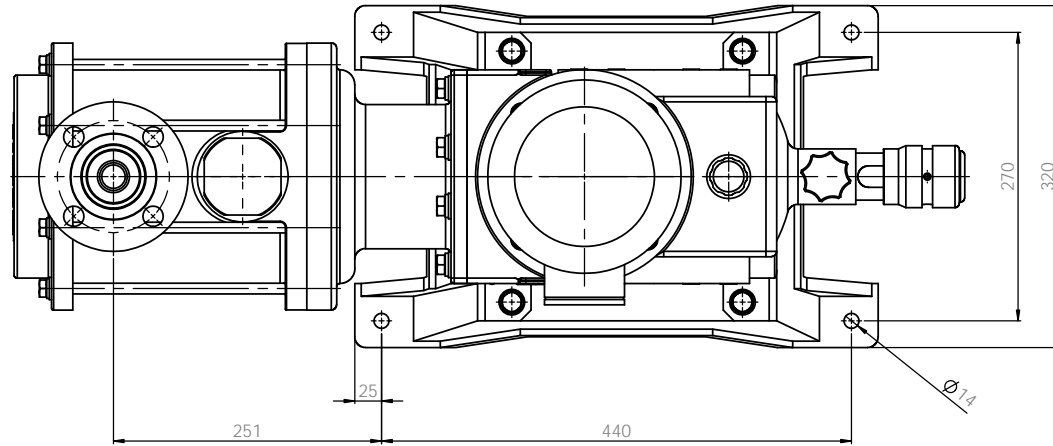
1. Model : JL30L
2. Material : PP / PVDF / PTFE.
3. Connection : Flange
4. Drain valve : Not installed

PUMP ASSEMBLY-DIM				E-WHA CHEMICAL FEEDER CO., LTD.	
DATE	REV	BY	CHK	DATE	REV
2024.02.21					
2024.02.21					
2024.02.21					
MATERIAL			PVC		
DRAWING NO.			C1300E1011A		
SCALE 1:1			SHEET 1 OF 1		



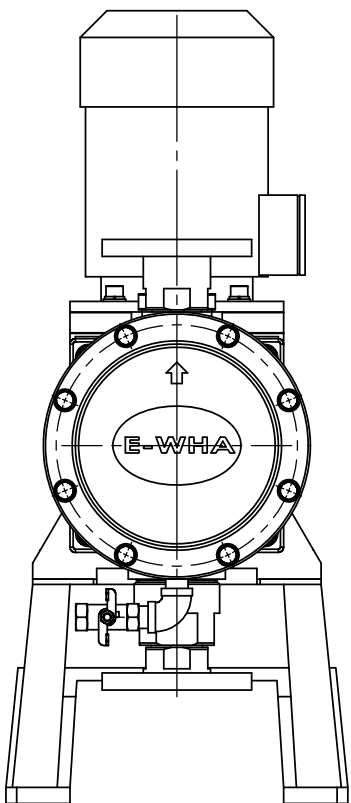
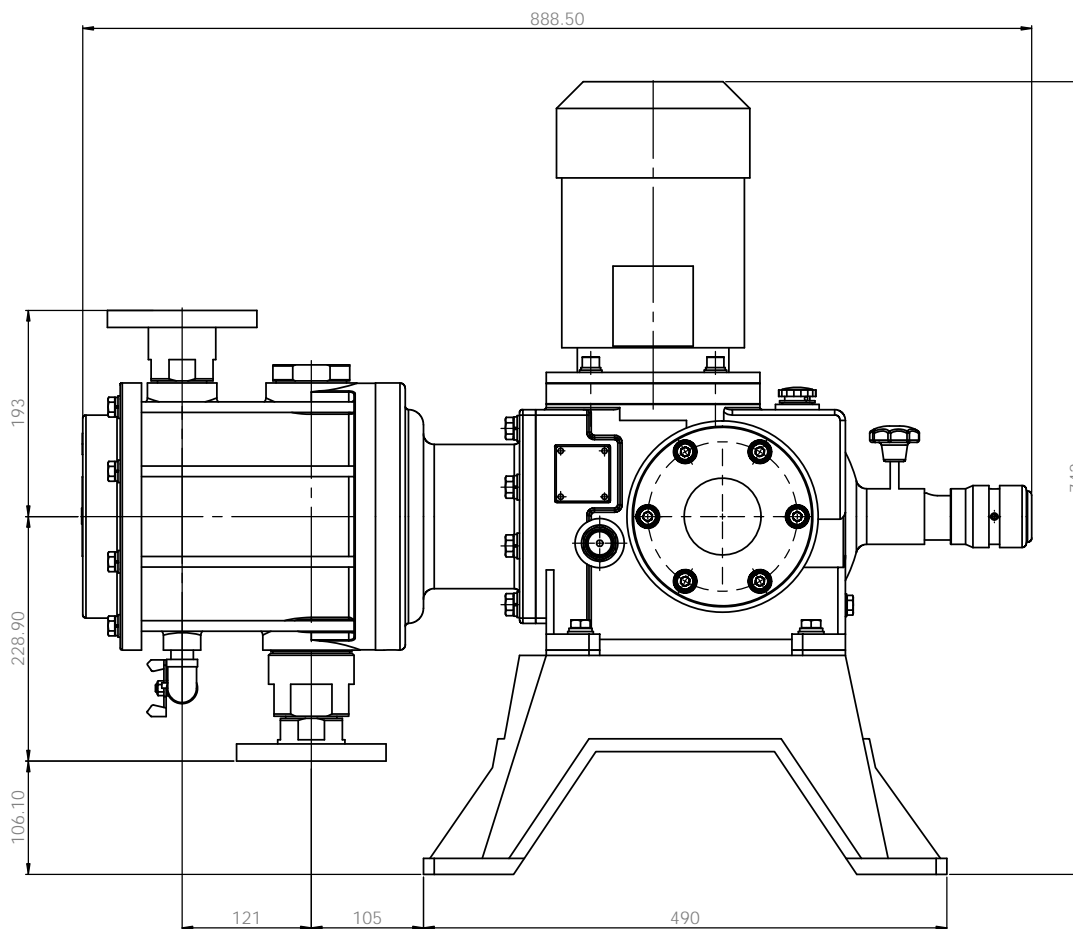
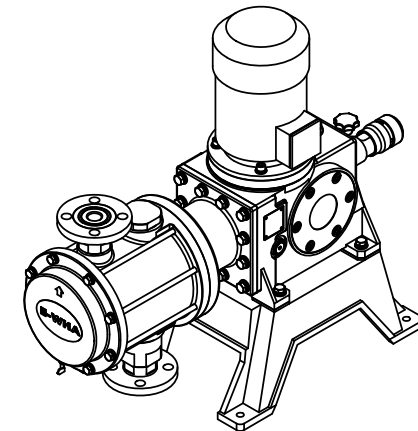
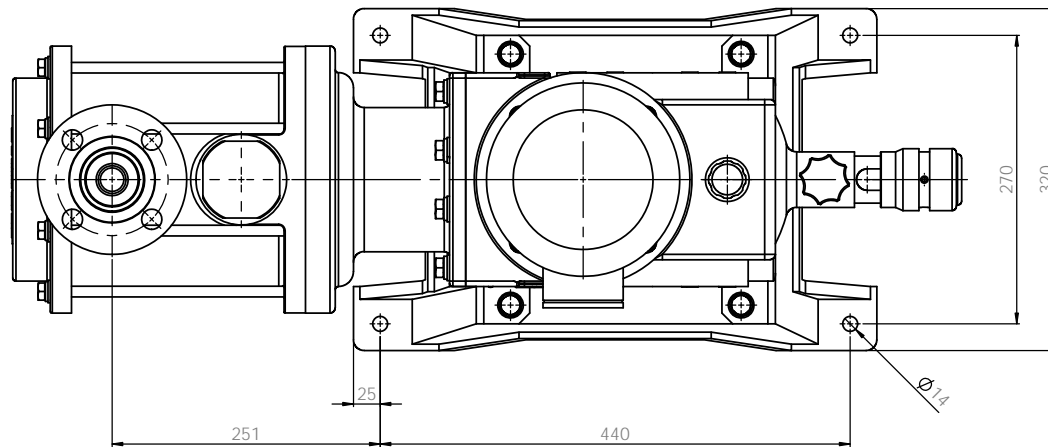
Note
 1. Model : JL30L
 2. Material : PP
 3. Connection : Flange
 4. Drain valve : Installed

PUMP ASSEMBLY-DIM		E-WHA CHEMICAL FEEDER CO., LTD.	
JL30LPCFD-KS 10K 40A FF		C1300E1012A	
PVC		A1	



Note
 1. Model : JL30L
 2. Material : Stainless steel(Cast)
 3. Connection : Flange
 4. Drain valve : Not installed

<small>ALL DIMENSIONS SPECIFIED UNLESS OTHERWISE SPECIFIED DIMENSIONS ARE IN MILLIMETERS UNLESS INDICATED OTHERWISE</small>		<small>FINISH</small> BRASS AND BRASS SHARP EDGE	<small>DO NOT SCALE DRAWING</small>	<small>REVISION</small>
<small>DRAWN</small> W. PARK	<small>DATE</small> 2020.02.21	<small>E-WHA CHEMICAL FEEDER CO., LTD.</small>		
<small>CHECKED</small> W. PARK	<small>DATE</small> 2020.02.21	<small>TITLE</small> PUMP ASSEMBLY-DIM		
<small>APPROVED</small> S.C. KIM	<small>DATE</small> 2020.02.21	<small>ITEM NO.</small> JL30LS4S4F-KS 10K 40A FF		
<small>MATERIAL</small> SUS304	<small>ITEM NO.</small> C1201E1011A	<small>SHEET 1 OF 1</small>		



Note

1. Model : JL30L
2. Material : Stainless steel(Cast)
3. Connection : Flange
4. Drain valve : Installed

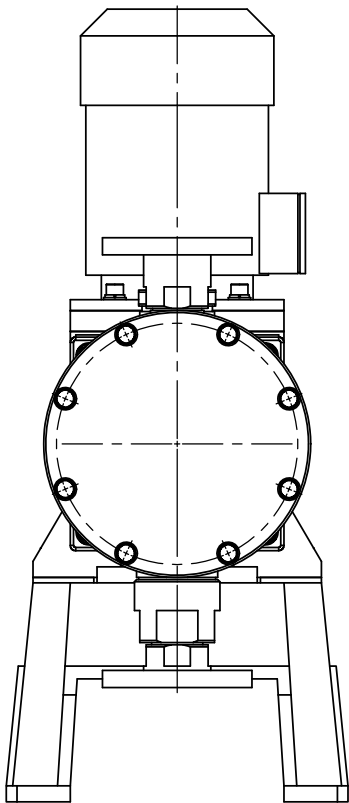
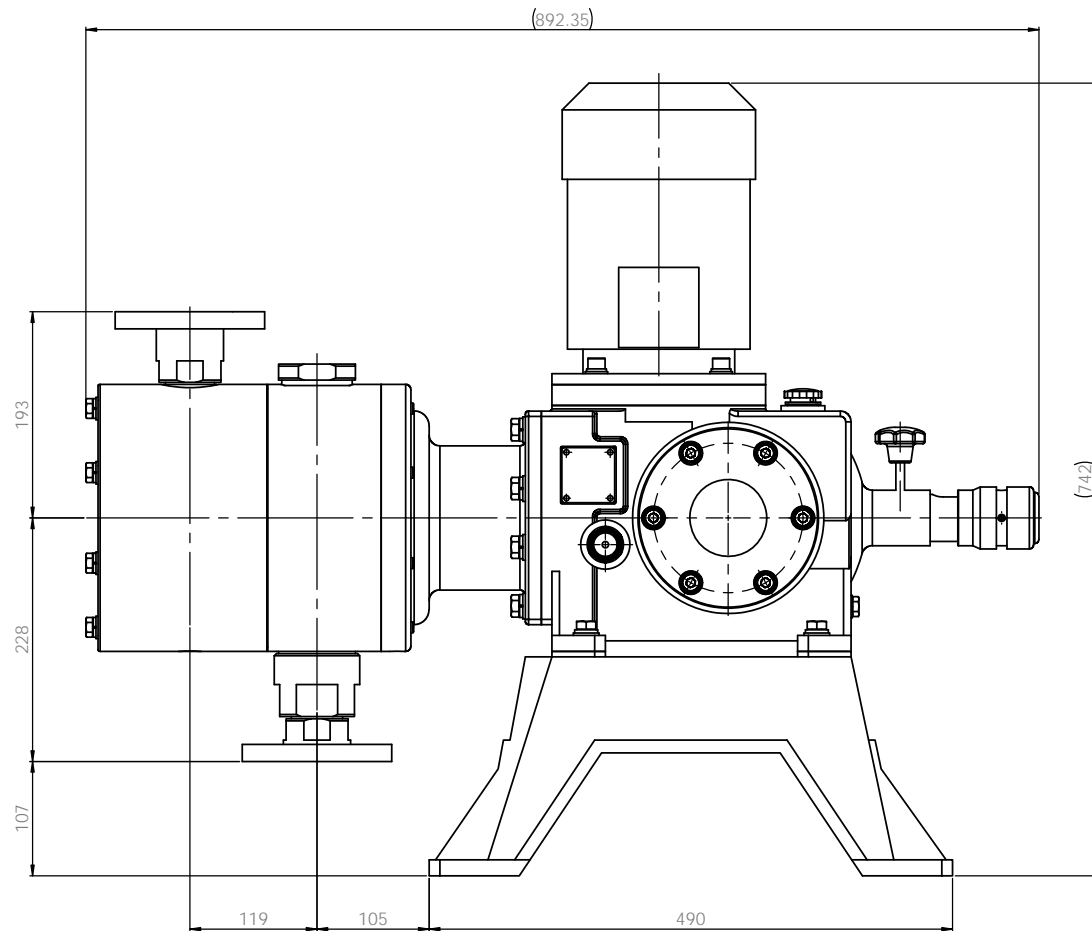
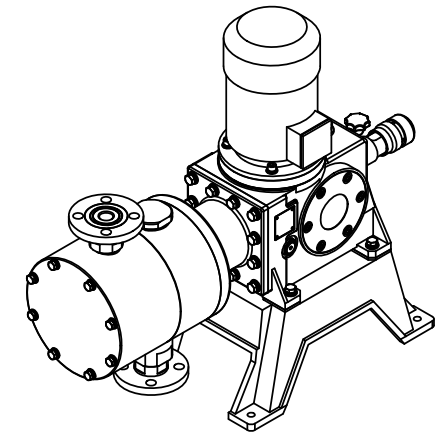
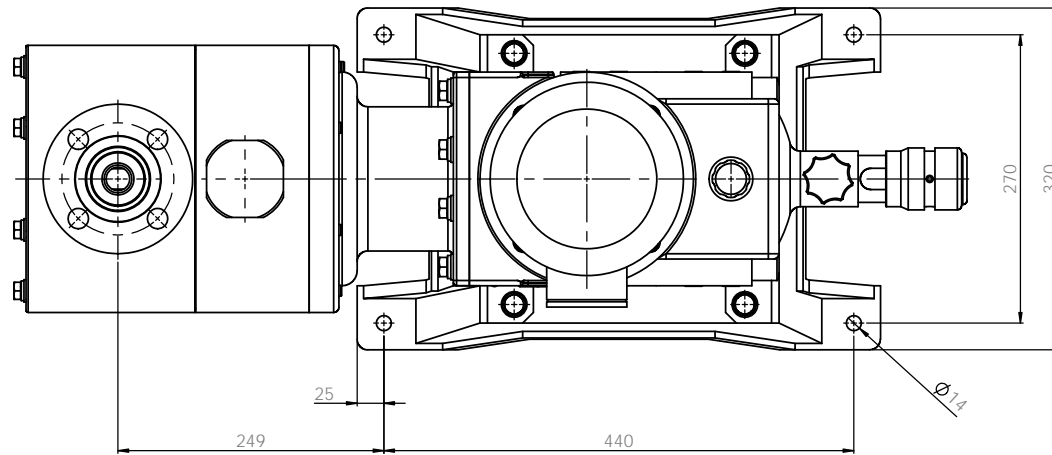
PUMP ASSEMBLY SPECIFIED DIMENSIONS ARE IN MILLIMETERS				TOLERANCES UNLESS SPECIFIED		FINISH AND BEVEL SHARP EDGES		DO NOT SCALE DRAWING		REVISION	
NO.	DATE	BY	CHKD	DATE	BY	DATE	BY	NO.	DESCRIPTION	DATE	BY
1	2020.02.21										
2	2020.02.21										
3	2020.02.22										
DRAWN: W. PARK				CHECKED: W. PARK		DATE: 2020.02.21		MATERIAL: SUS304			
DESIGNED: S.C. KIM				DATE: 2020.02.21		SCALE: 1:1		SHEET NO. C1201E1012A			
APPROVED: S.C. KIM				DATE: 2020.02.22		SCALE: 1:1		SHEET 1 OF 1			

E-WHA CHEMICAL FEEDER CO., LTD.

PUMP ASSEMBLY
JL30LS4S4F-DIM

C1201E1012A

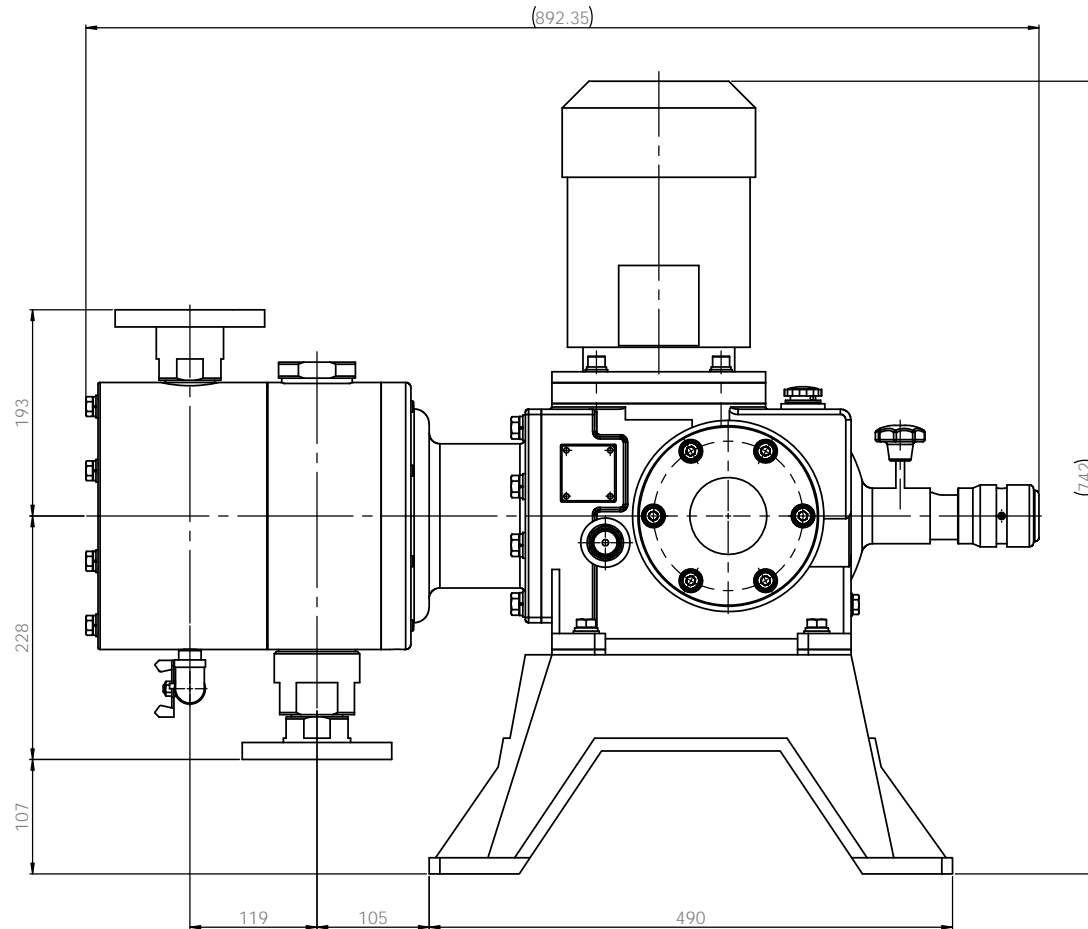
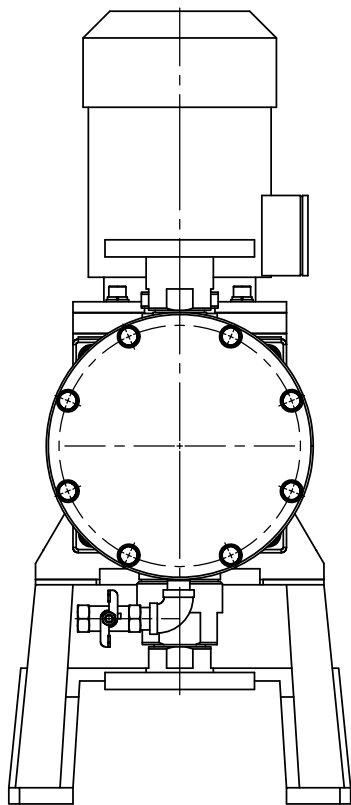
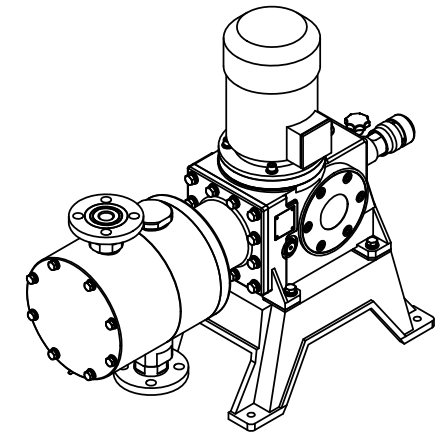
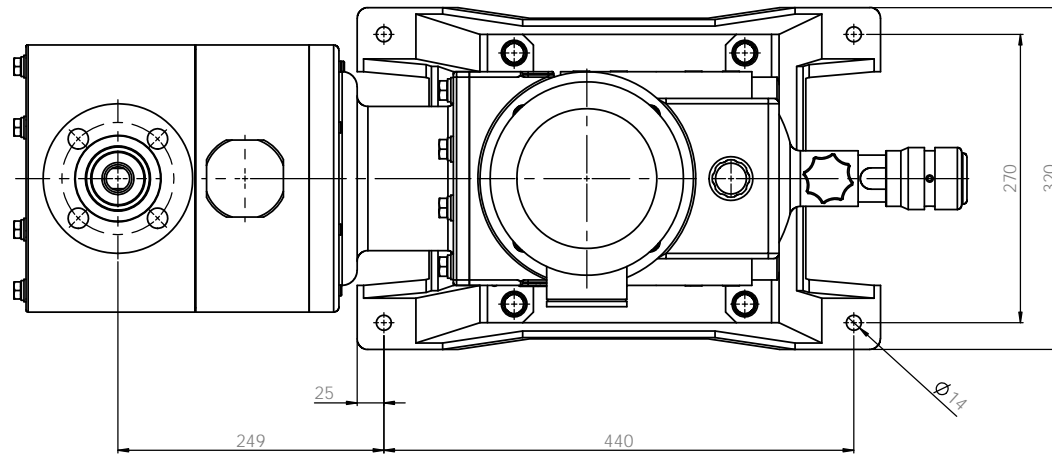
A1



Note

1. Model : JL30L
2. Material : Stainless steel
3. Connection : Flange
4. Drain valve : Not installed

PUMP ASSEMBLY-DIM				E-WHA CHEMICAL FEEDER CO., LTD.	
DATE	SCALE	REVISION	DATE	REVISION	DATE
2020.02.21					
2020.02.21					
2020.02.21					
MATERIAL: SUS304			DWG. NO: C1301E1011A		A1
SCALE: 1:1			SHEET: 1 OF 1		



Note

1. Model : JL30L
2. Material : Stainless steel
3. Connection : Flange
4. Drain valve : Installed

ALL DIMENSIONS SPECIFIED UNLESS OTHERWISE SPECIFIED DIMENSIONS ARE IN MILLIMETERS TOLERANCES: FINISH: ANGULAR:			FINISH: BREAK SHARP EDGES:		DO NOT SCALE DRAWING REVISION:	
DRAWN: W. PARK CHECK: W. PARK APPROV: S.C. KIM DATE: 2020.02.21 DATE: 2020.02.21 DATE: 2020.02.21	DESIGNED: DRAWN: CHECKED: DATE:	SCALE:	MATERIAL: SUS304	DRAWING NO: C1301E1012A	SHEET NO. OF 1 A1	E-WHA CHEMICAL FEEDER CO., LTD. PUMP ASSEMBLY-DIM JL30LS4S4FD-KS 10K 40A FF