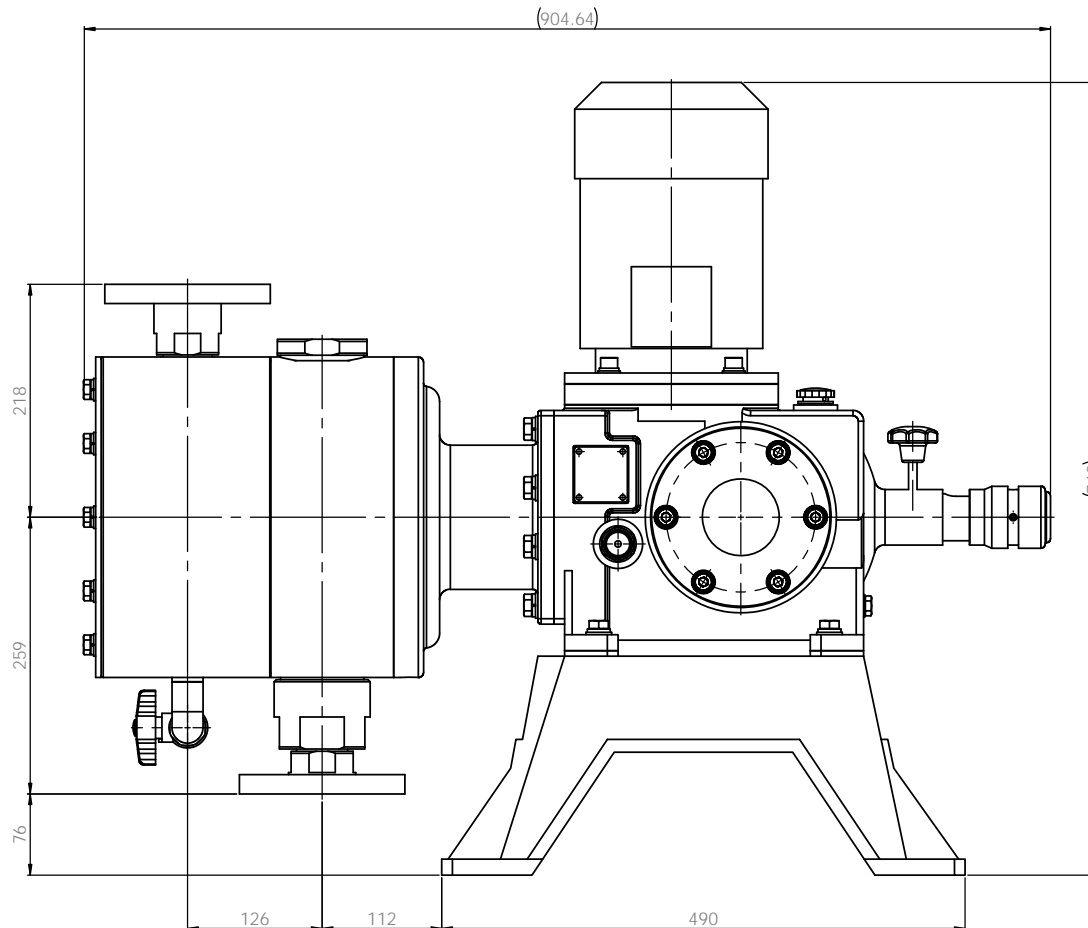
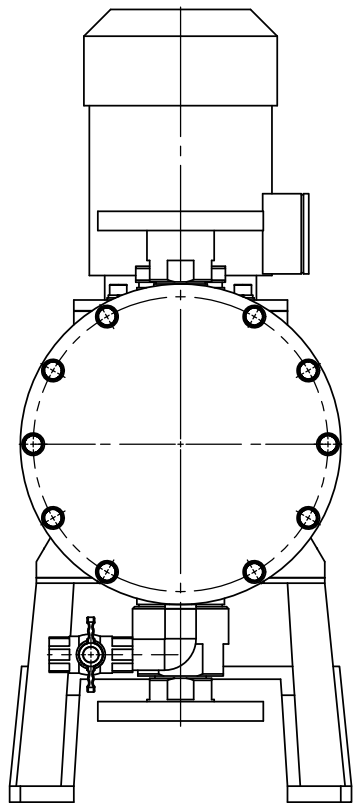
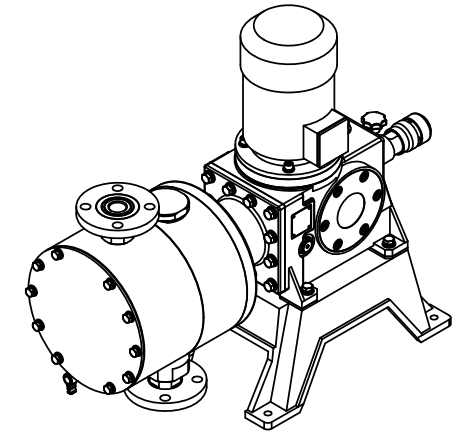
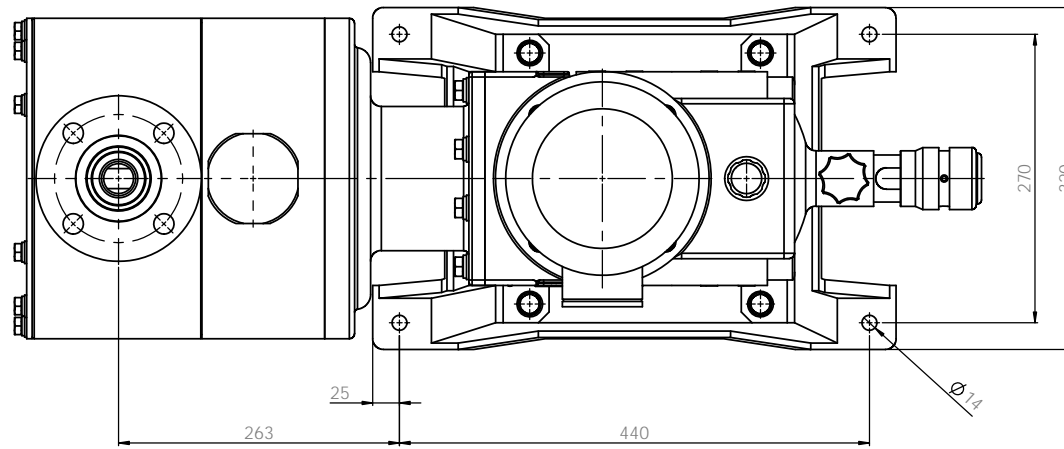


**Note**

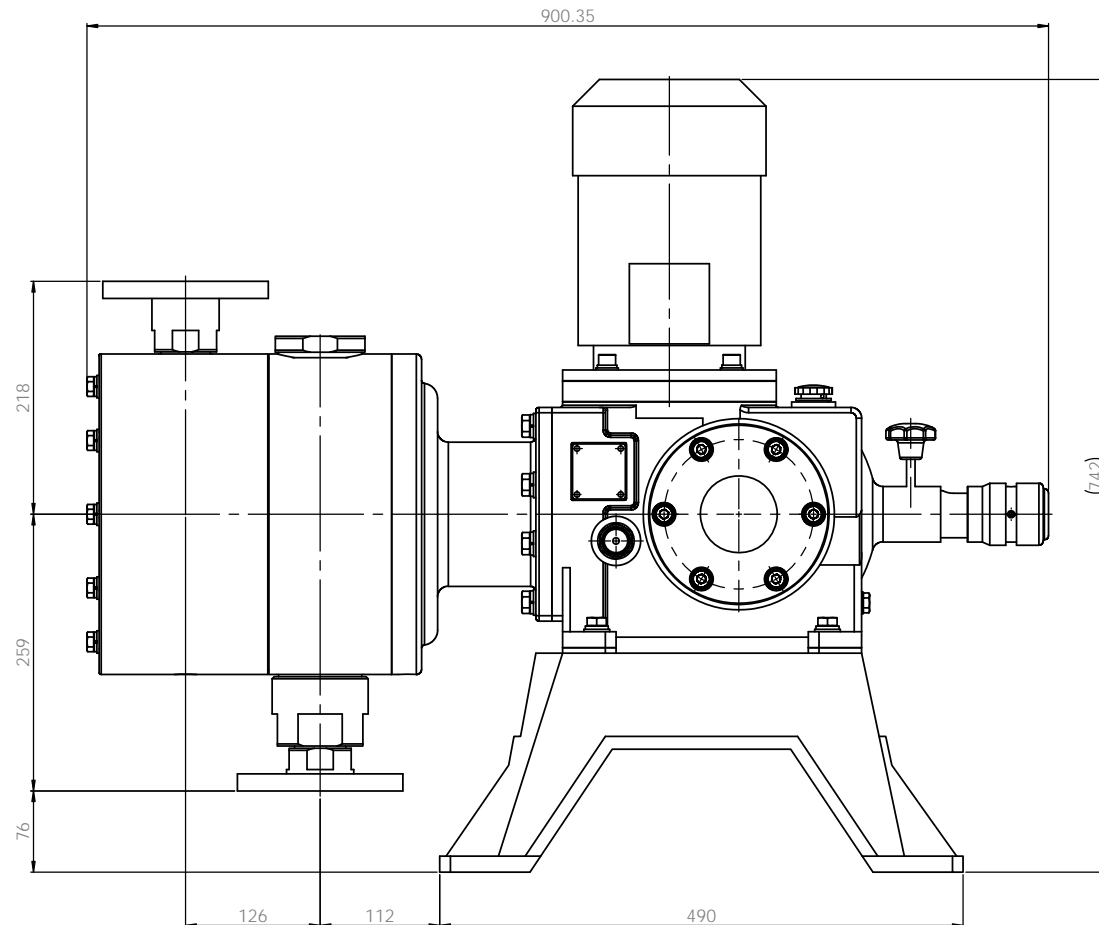
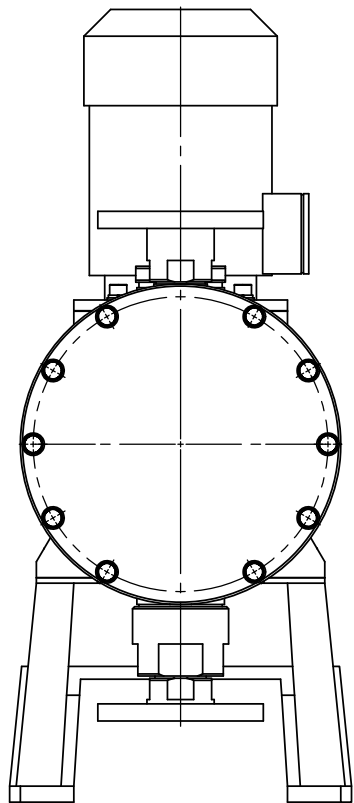
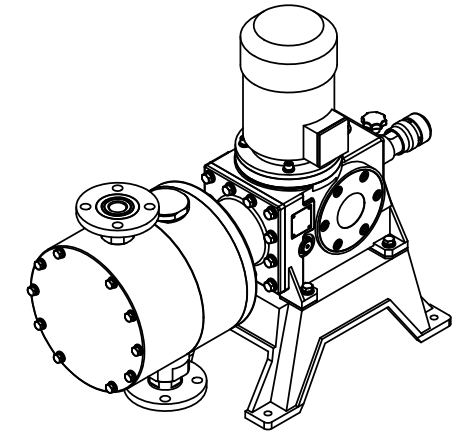
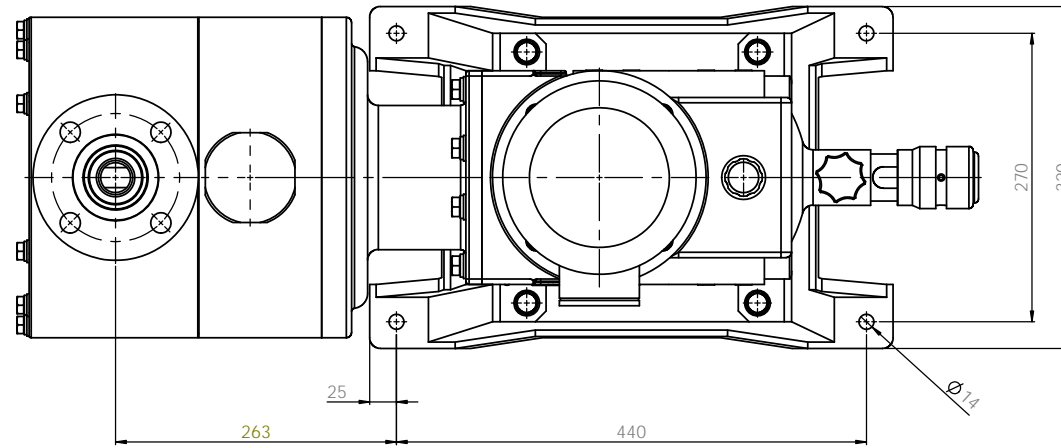
1. Model : JL40L
2. Material : PP / PVDF / PTFE.
3. Connection : Flange
4. Drain valve : Not installed

PUMP ASSEMBLY-SPECIFIED DIMENSIONS ARE IN MILLIMETERS UNLESS OTHERWISE SPECIFIED				SCALE AND BREAK SHARP EDGES		DO NOT SCALE DRAWING		REVISION	
DRAWN	W. PARK	DATE	2008.02.21	SCALE		REVISION			
CHECKED	W. PARK	DATE	2008.02.21						
APPROVED	S.C. KIM	DATE	2008.02.22						
MATERIAL	PVC								
DESIGN NO.	C1300E1015B								A1
E-WHA CHEMICAL FEEDER CO., LTD.				SCALE 1:1		SHEET 1 OF 1			



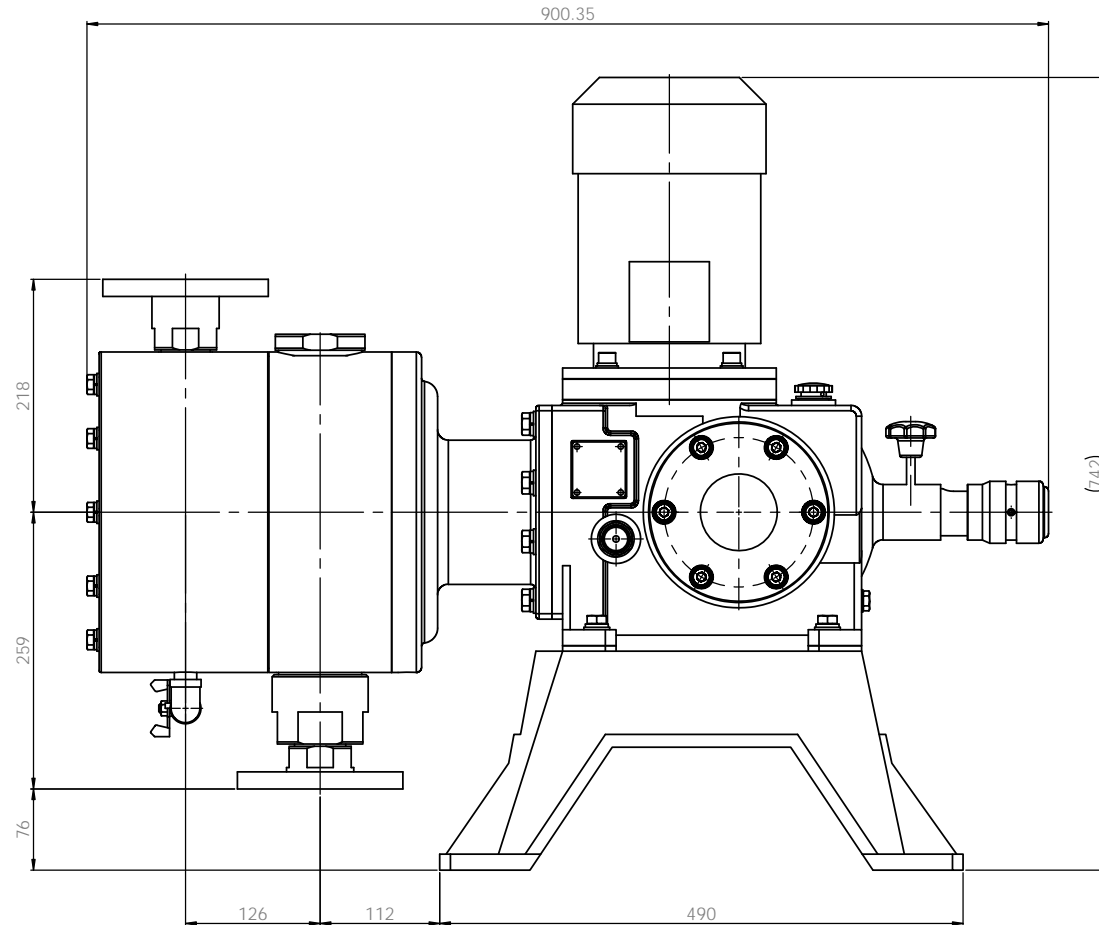
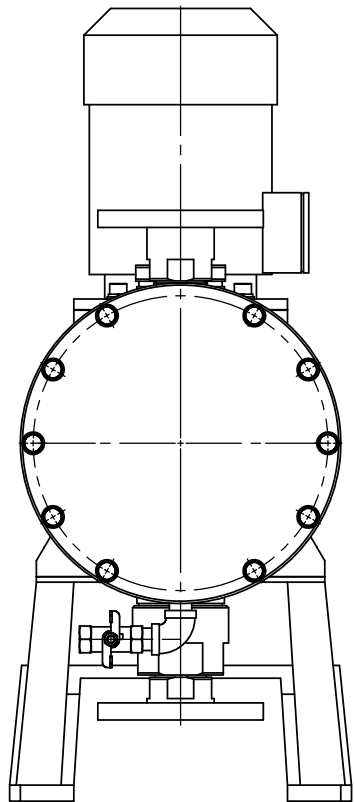
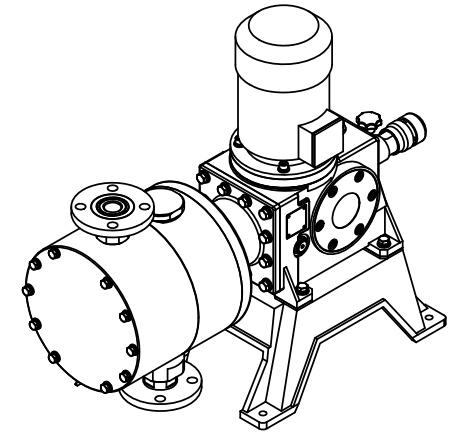
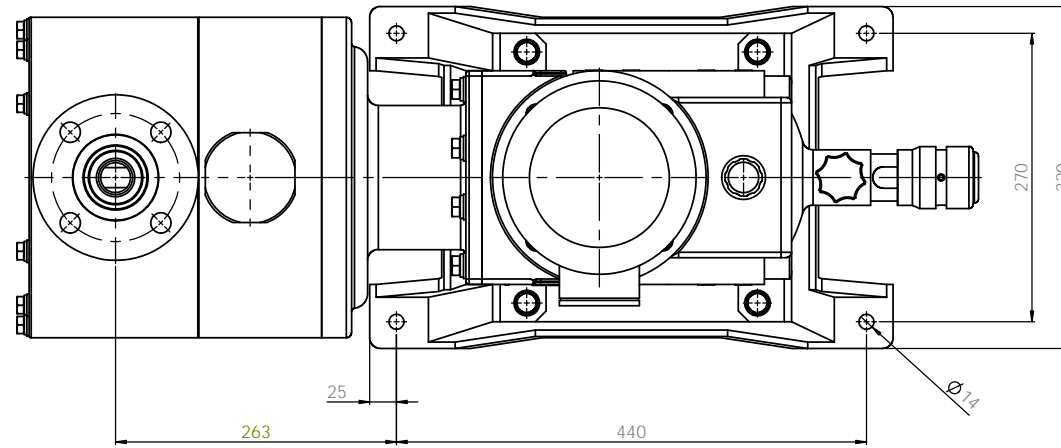
**Note**  
 1. Model : JL40L  
 2. Material : PP  
 3. Connection : Flange  
 4. Drain valve : Installed

PUMP ASSEMBLY-DIM				E-WHA CHEMICAL FEEDER CO., LTD.	
DATE	REV	BY	CHK	SCALE	SHEET
2024.02.21				1:1	1/1
2024.02.21					
2024.02.21					
MATERIAL			PVC		
SPECIFICATION			C1300E1016B		
SCALE			1:1		
SHEET			1/1		



- Note**
1. Model : JL40L
  2. Material : Stainless steel
  3. Connection : Flange
  4. Drain valve : Not installed

PUMP ASSEMBLY SPECIFIED DIMENSIONS ARE IN MILLIMETERS UNLESS OTHERWISE SPECIFIED				UNITS		SCALE AND BREAK SHARP EDGES		DO NOT SCALE DRAWING		REVISION	
DRAWN	W. PARK	DESIGNED	W. PARK	DATE						E-WHA CHEMICAL FEEDER CO., LTD.	
CHECKED	W. PARK			2020.02.21						PUMP ASSEMBLY-DIM	
APPROVED	S.C. KIM			2020.02.21						JL40LS4S4F-KS 10K 50A FF	
DATE										MATERIAL	SUS304
										DWG. NO.	C1301E1015B
										SCALE	1:1
										SHEET	1 OF 1



**Note**

1. Model : JL40L
2. Material : Stainless steel
3. Connection : Flange
4. Drain valve : Installed

PUMP ASSEMBLY-DIM				E-WHA CHEMICAL FEEDER CO., LTD.	
DATE	2020.02.22	SCALE	1:1	REVISION	
DESIGNER	S.C. KIM	CHECKER	S.C. KIM	DATE	2020.02.22
DRAWN	W. PARK	DATE	2020.02.22	MATERIAL	SUS304
REVISED	S.C. KIM	DATE	2020.02.22	FIG. NO.	C1301E1016B
DATE		SCALE	1:1	SHEET	1 OF 1