

Note

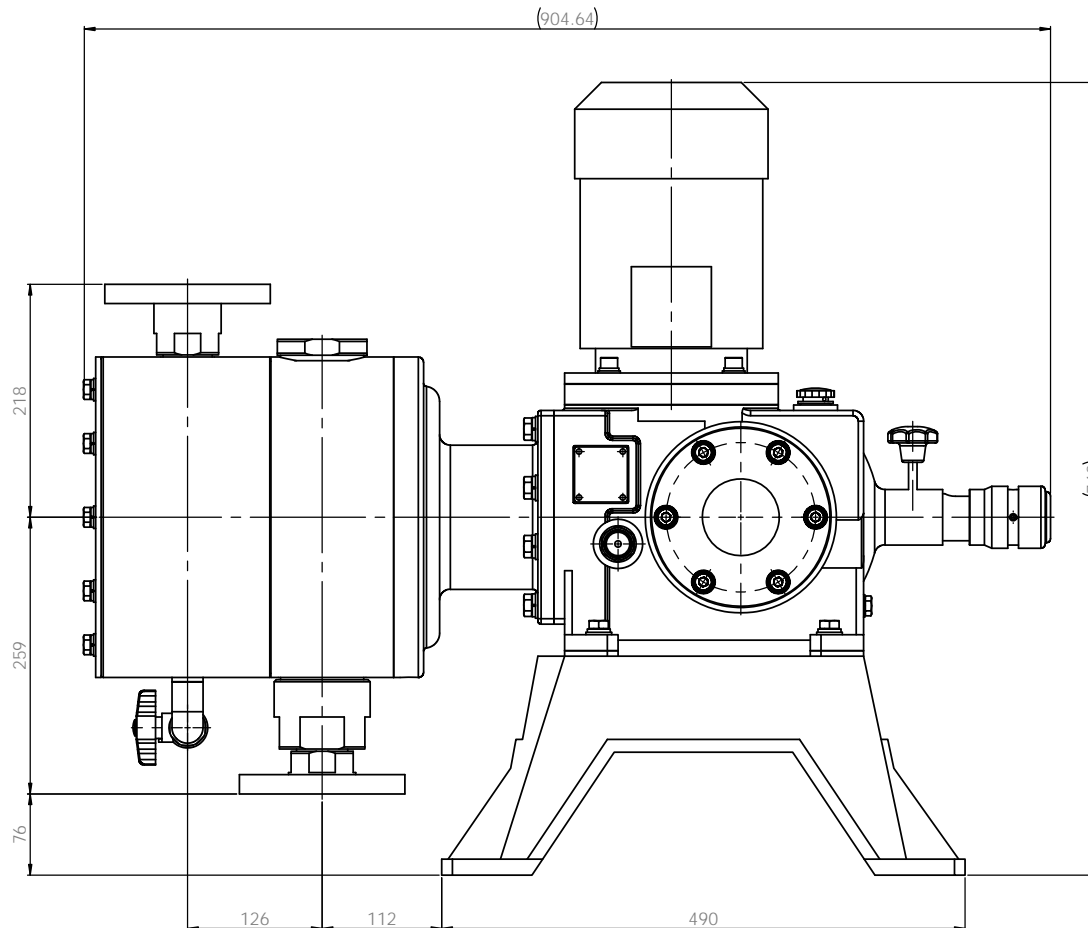
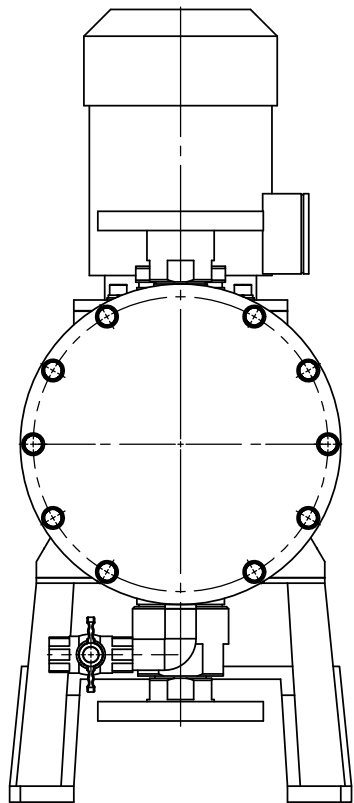
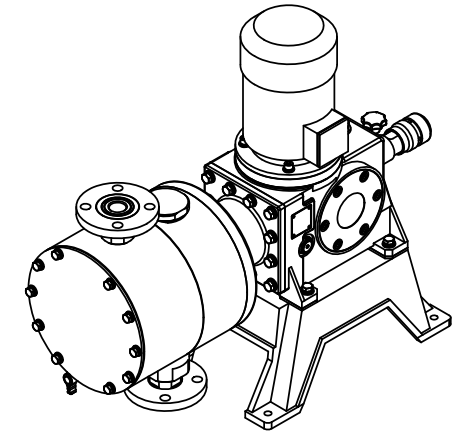
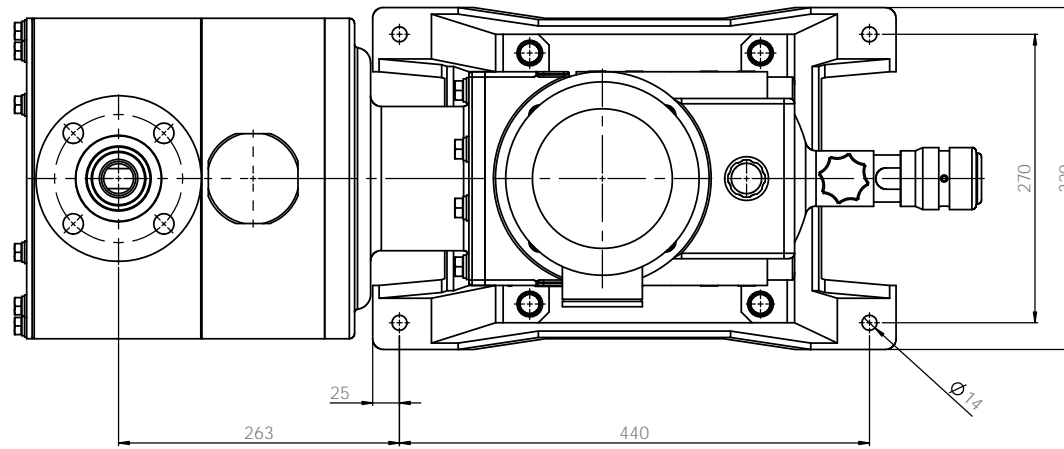
1. Model : JL50L
2. Material : PP / PVDF / PTFE.
3. Connection : Flange
4. Drain valve : Not installed

<small> ALL DIMENSIONS SPECIFIED UNLESS OTHERWISE SPECIFIED DIMENSIONS ARE IN MILLIMETERS UNLESS INDICATED OTHERWISE </small>			<small> FINISH BRASS AND BRASS SHARP EDGE </small>	<small> DO NOT SCALE DRAWING REVISION </small>
<small> DRAWN W. PARK </small>	<small> DATE 2020.02.21 </small>	<small> CHECK W. PARK </small>	<small> DATE 2020.02.21 </small>	<small> REVISION </small>
<small> APPROVED S.C. KIM </small>	<small> DATE 2020.02.22 </small>			
<small> D.L.A. </small>		<small> MATERIAL PVC </small>	<small> DIMENSION C1300E1015B </small>	<small> SHEET NO. A1 </small>
<small> SCALE 1:1 </small>				<small> SHEET 1 OF 1 </small>

E-WHA CHEMICAL FEEDER CO., LTD.

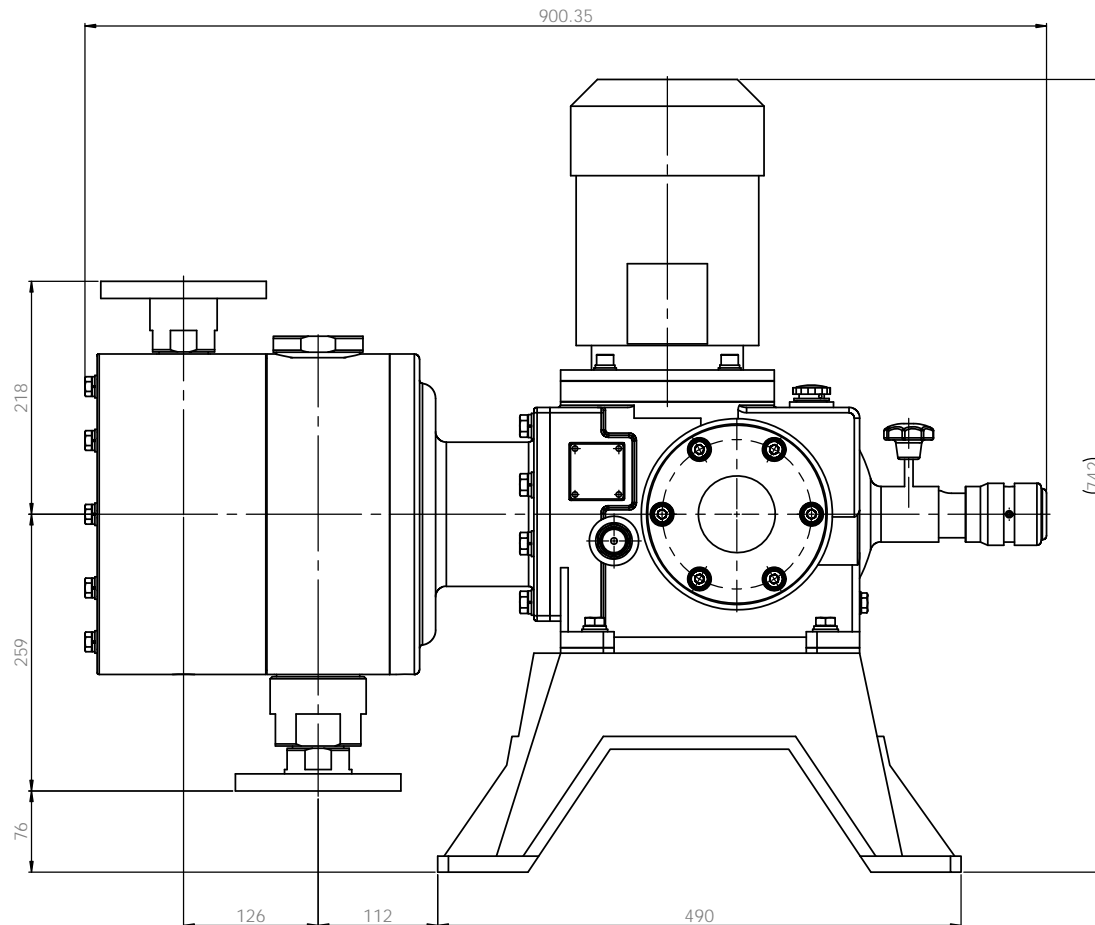
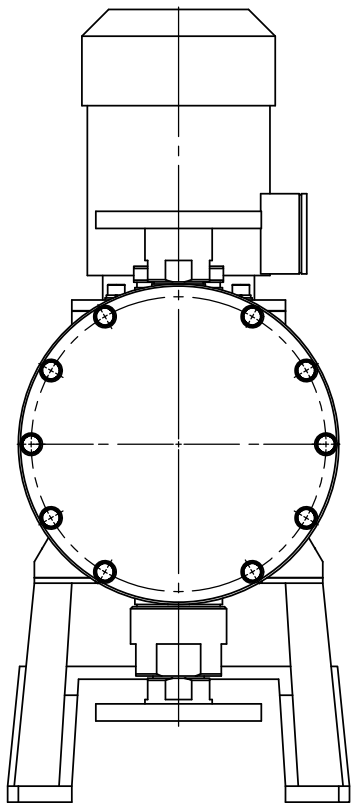
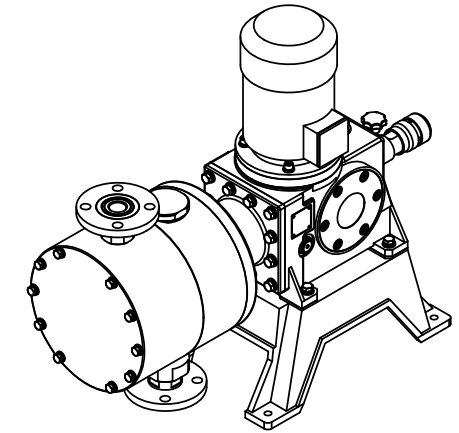
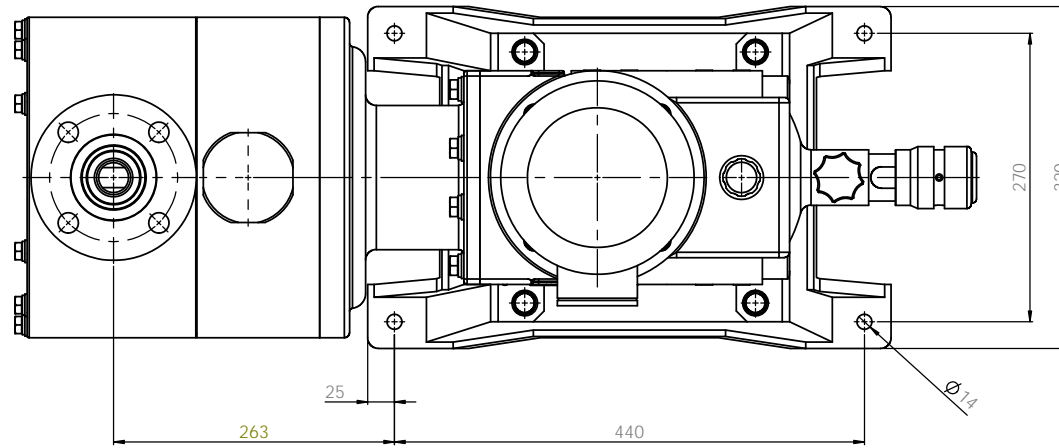
PUMP ASSEMBLY-DIM
JL40LPCF-KS 10K 50A FF

C1300E1015B



Note
 1. Model : JL50L
 2. Material : PP
 3. Connection : Flange
 4. Drain valve : Installed

PUMP ASSEMBLY-DIM				E-WHA CHEMICAL FEEDER CO., LTD.	
DATE	REV	BY	CHK	SCALE	SHEET
2020.02.21					1 OF 1
2020.02.21					
2020.02.21					
MATERIAL			PVC		
SPECIFICATION			C1300E1016B		



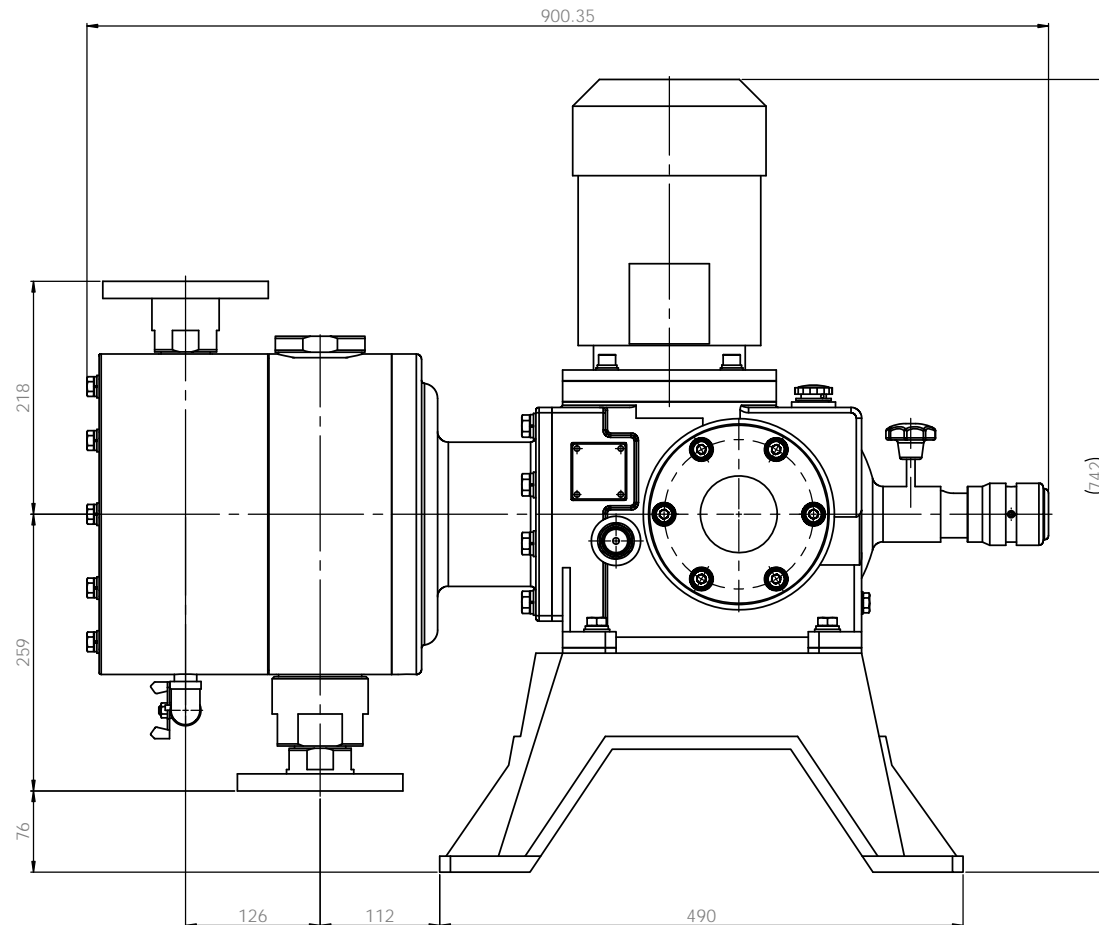
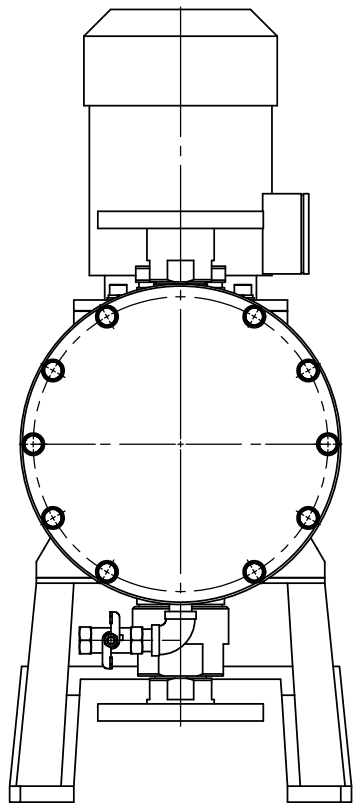
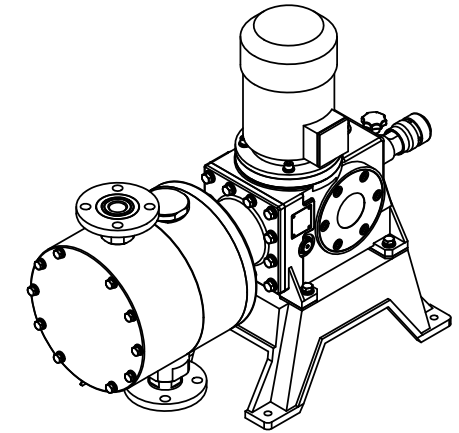
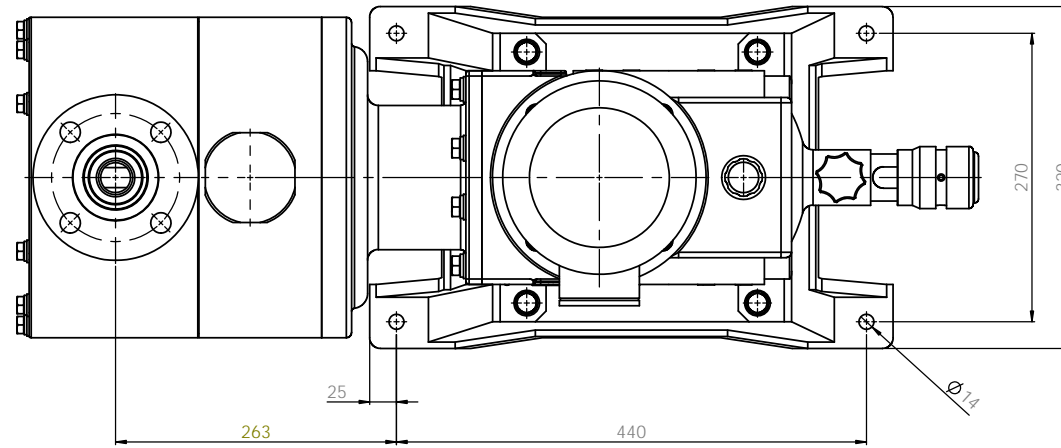
- Note**
1. Model : JL50L
 2. Material : Stainless steel
 3. Connection : Flange
 4. Drain valve : Not installed

PANELS CONTAINED SPECIFIED DIMENSIONS ARE IN MILLIMETERS UNLESS OTHERWISE SPECIFIED		FINISH	STRESS AND BREAK SHARP EDGES	DO NOT SCALE DRAWING	REVISION
DRAWN	W. PARK	DESIGNED			
CHECKED	W. PARK	DATE			
APPROVED	S.C. KIM	SCALE			
DATE					
MATERIAL			SUS304	DWG. NO.	C1301E1015B
SCALE			SCALE 1:1	SHEET 1 OF 1	

E-WHA CHEMICAL FEEDER CO., LTD.

PUMP ASSEMBLY-DIM
JL40LS4S4F-KS 10K 50A FF

A1



Note

1. Model : JL50L
2. Material : Stainless steel
3. Connection : Flange
4. Drain valve : Installed

ALL DIMENSIONS SPECIFIED UNLESS OTHERWISE SPECIFIED DIMENSIONS ARE IN MILLIMETERS TOLERANCES: FINISH: ANGULAR:		FINISH: BRASS AND BRASS SHARP EDGE:	DO NOT SCALE DRAWING REVISION:
DRAWN: W. PARK CHECK: W. PARK APPROV: S.C. KIM DATE: 2020.02.21 DATE: 2020.02.21 DATE: 2020.02.21	DESIGNED: W. PARK DATE: 2020.02.21	MATERIAL: SUS304	E-WHA CHEMICAL FEEDER CO., LTD. PUMP ASSEMBLY-DIM JL40LS4S4FD-KS 10K 50A FF DRAWING NO. C1301E1016B SCALE: 1:1 SHEET 1 OF 1