

JMRV10PCF	Sym.	Description	Rev. No.	Date	Confirmed by
	△				
	△				
	△				

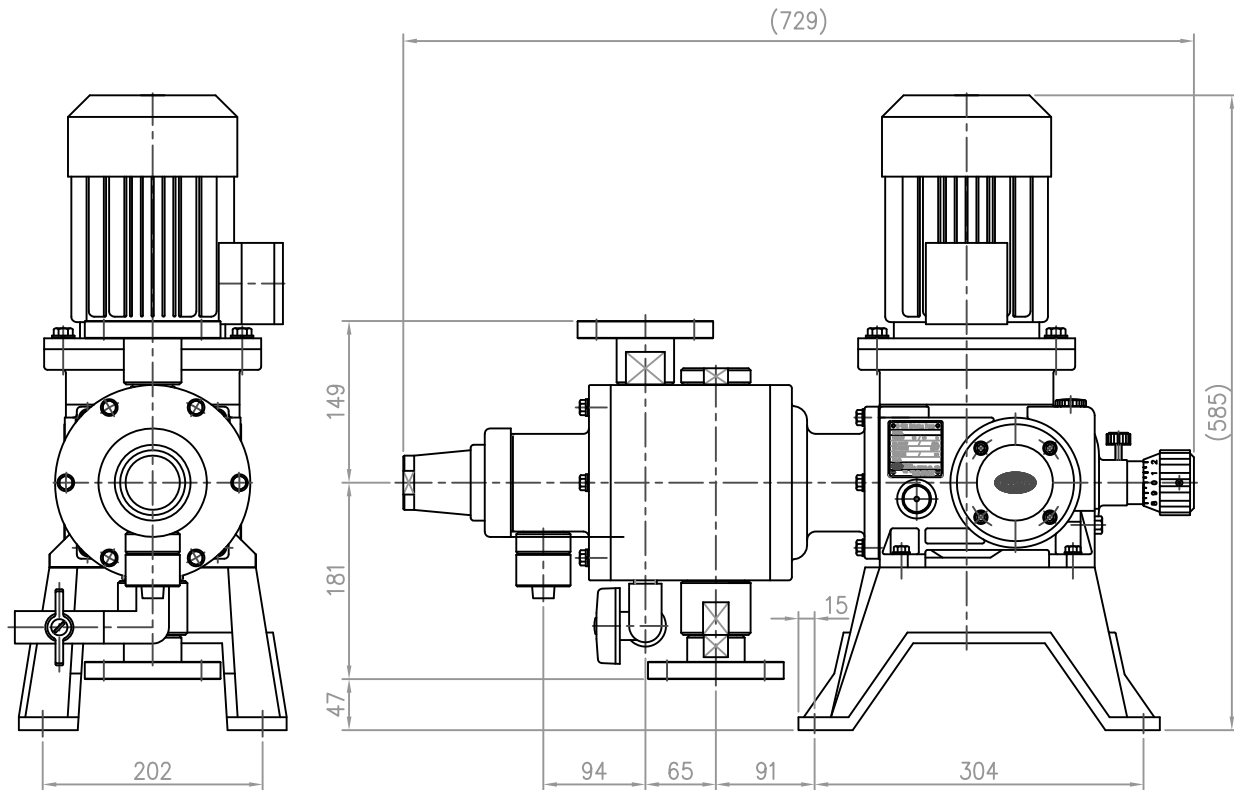
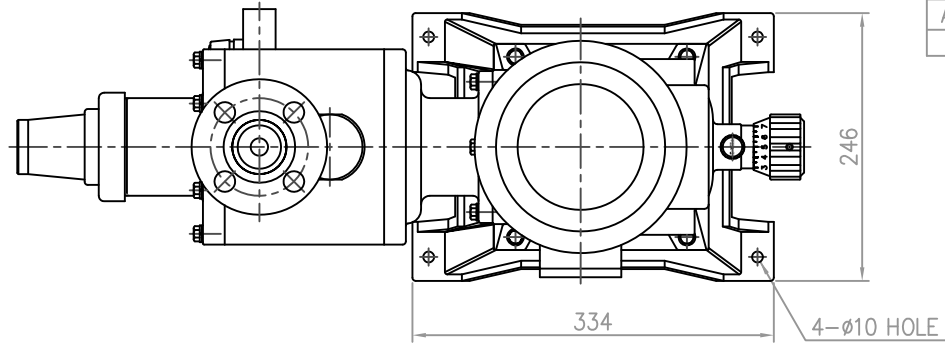
A	No.	Parts No.	Parts Name	Material	Spec.	Weight	Remark

**Note**

1. Model : JSRV10L
2. Material : PP / PVdF / PTFE
3. Connection : Flange
4. Drain valve : Not installed

이 도면은 (주)이화정량펌프의 기술 자산이므로 불법 유통시 관계법과 회사 규정에 의해 처벌 됩니다.

Projection		Triangle Method		Drawing Name	PUMP ASSEMBLY-DIM
Scale	1 / 5	Unit	mm		
Drawn by	Designed by	Checked by	Approved by	Application	JMRV10PCF-KS 10K 25A FF
2001.03.25				Drawing Number	<b>N10287E3051</b>

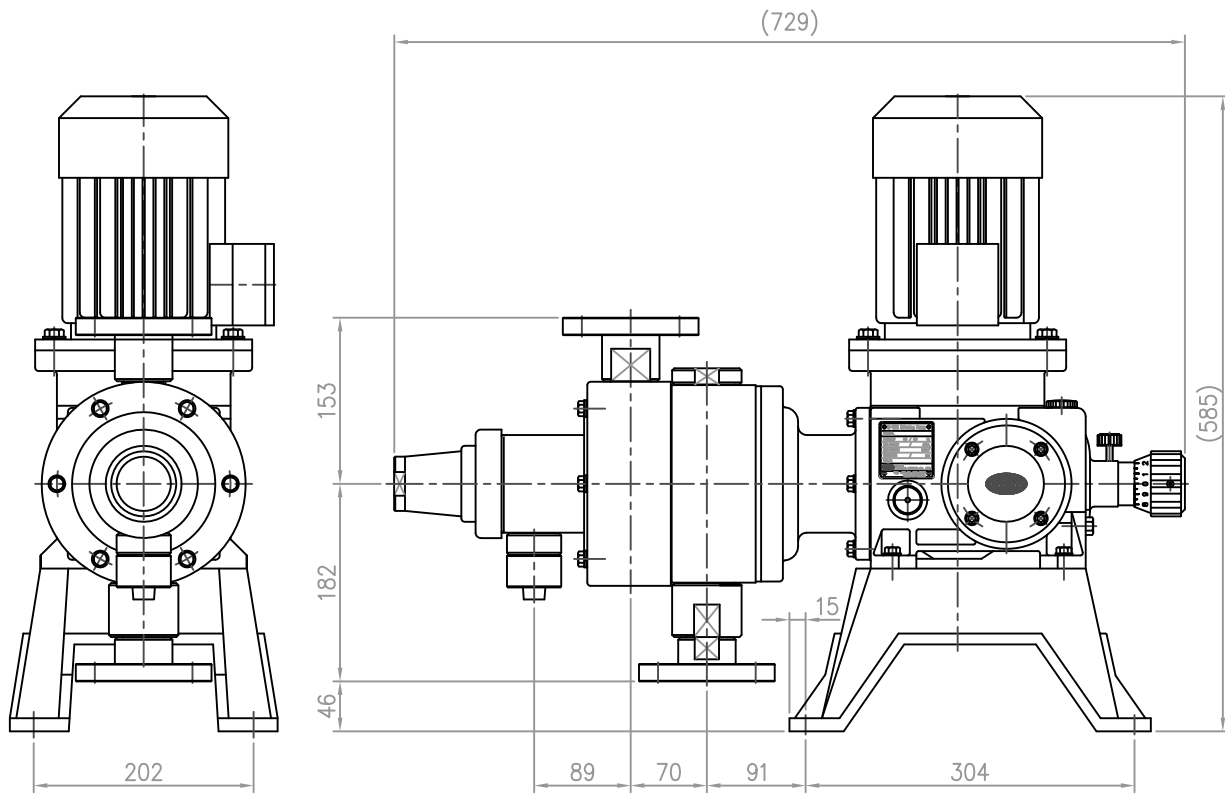
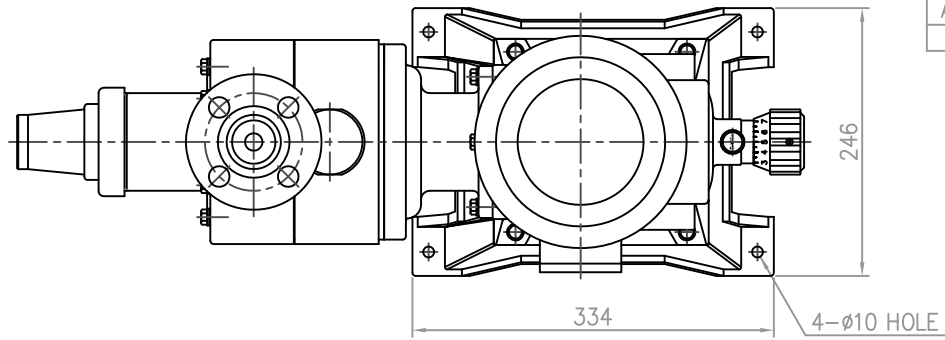


JMRV10LPCFD	Sym.	Description	Rev. No.	Date	Confirmed by		
	△						
	△						
	△						
A	No.	Parts No.	Parts Name	Material	Spec.	Weight	Remark

**Note**  
 1. Model : JSRV10L  
 2. Material : PP  
 3. Connection : Flange  
 4. Drain valve : Installed

이 도면은 (주)이화정량펌프의 기술  
 재산이므로 불법 유통시 관계법과  
 회사 규정에 의해 처벌 됩니다.

Projection		Triangle Method		Drawing Name	PUMP ASSEMBLY-DIM
Scale	1 / 5	Unit	mm		
Drawn by	Designed by	Checked by	Approved by	Application	JMRV10LPCFD-KS 10K 25A FF
2001.03.25				Drawing Number	<b>N1028E3052</b>

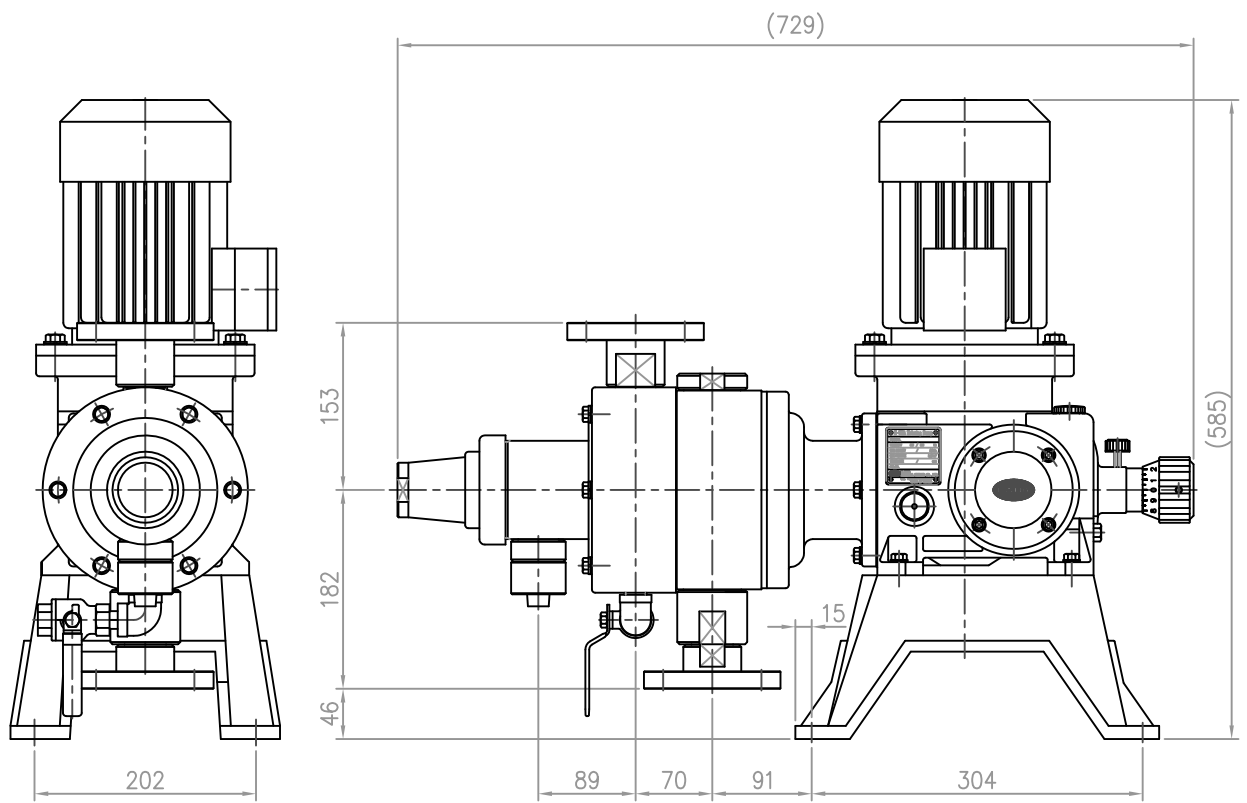
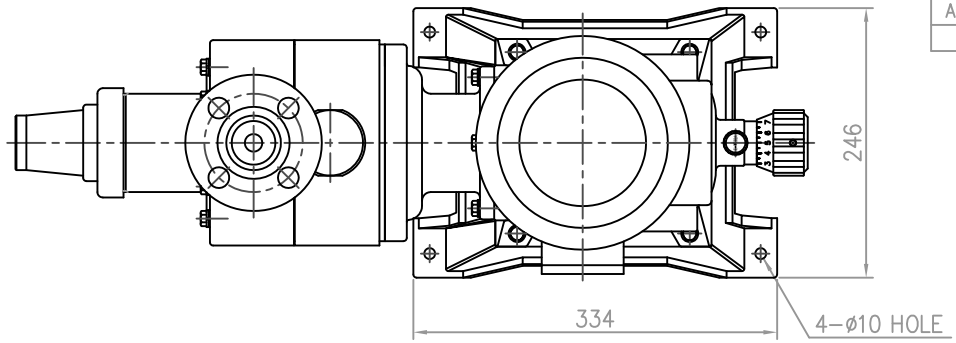


JMRV10LS4S4F	Sym.	Description	Rev. No.	Date	Confirmed by		
	△						
	△						
	△						
	△						
A	No.	Parts No.	Parts Name	Material	Spec.	Weight	Remark

**Note**  
 1. Model : JSRV10L  
 2. Material : Stainless steel  
 3. Connection : Flange  
 4. Drain valve : Not installed

이 도면은 (주)이화정량펌프의 기술  
 재산이므로 불법 유통시 관계법과  
 회사 규정에 의해 처벌 됩니다.

Projection	Triangle Method	Drawing Name	<b>PUMP ASSEMBLY-DIM</b>
Scale 1 / 5	Unit mm		
Drawn by 2001.03.25	Designed by	Checked by	Application JMRV10LS4S4F-KS 10K 25A FF
			Drawing Number <b>N1029E3051</b>



JMRV10LS4S4FD	Sym.	Description	Rev. No.	Date	Confirmed by		
	△						
	△						
	△						
	△						
A	No.	Parts No.	Parts Name	Material	Spec.	Weight	Remark

**Note**

1. Model : JSRV10L
2. Material : Stainless steel
3. Connection : Flange
4. Drain valve : Installed

이 도면은 (주)이화정량펌프의 기술 자산이므로 불법 유출시 관계법과 회사 규정에 의해 처벌 됩니다.

Projection	Triangle Method	Drawing Name	<b>PUMP ASSEMBLY-DIM</b>
Scale 1 / 5	Unit mm		
Drawn by 2001.03.25	Designed by	Checked by	Approved by
			Application JMRV10LS4S4FD-KS 10K 25A FF
			Drawing Number <b>N1029E3052</b>