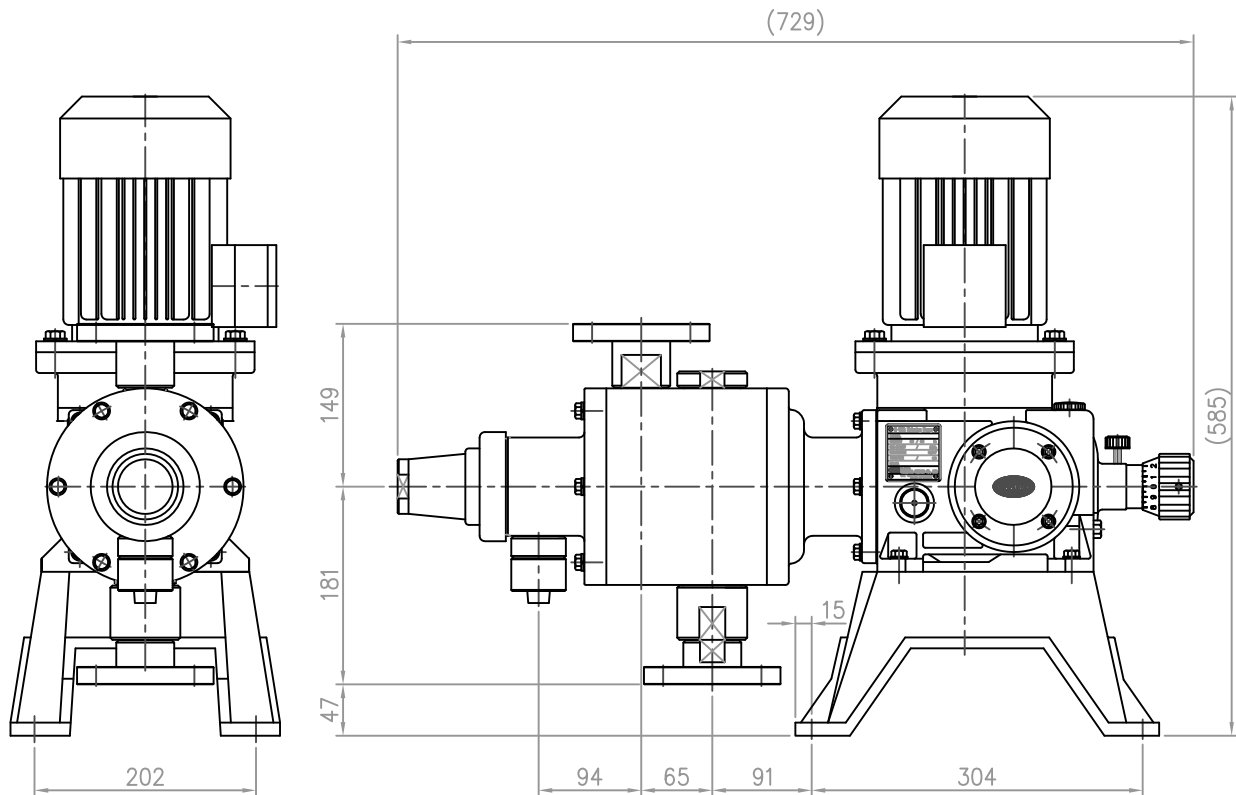
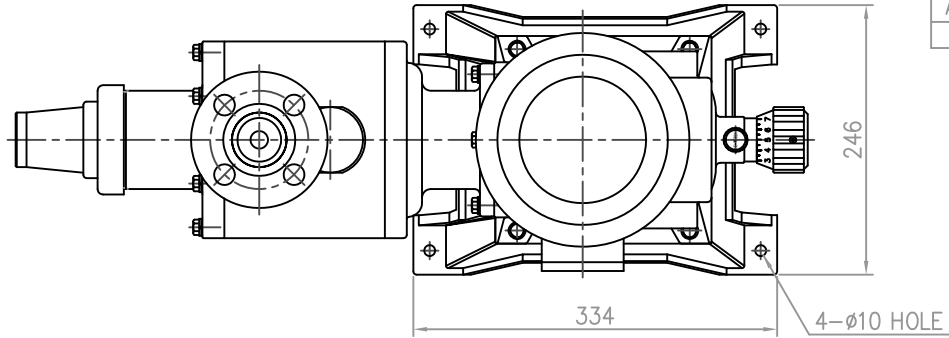


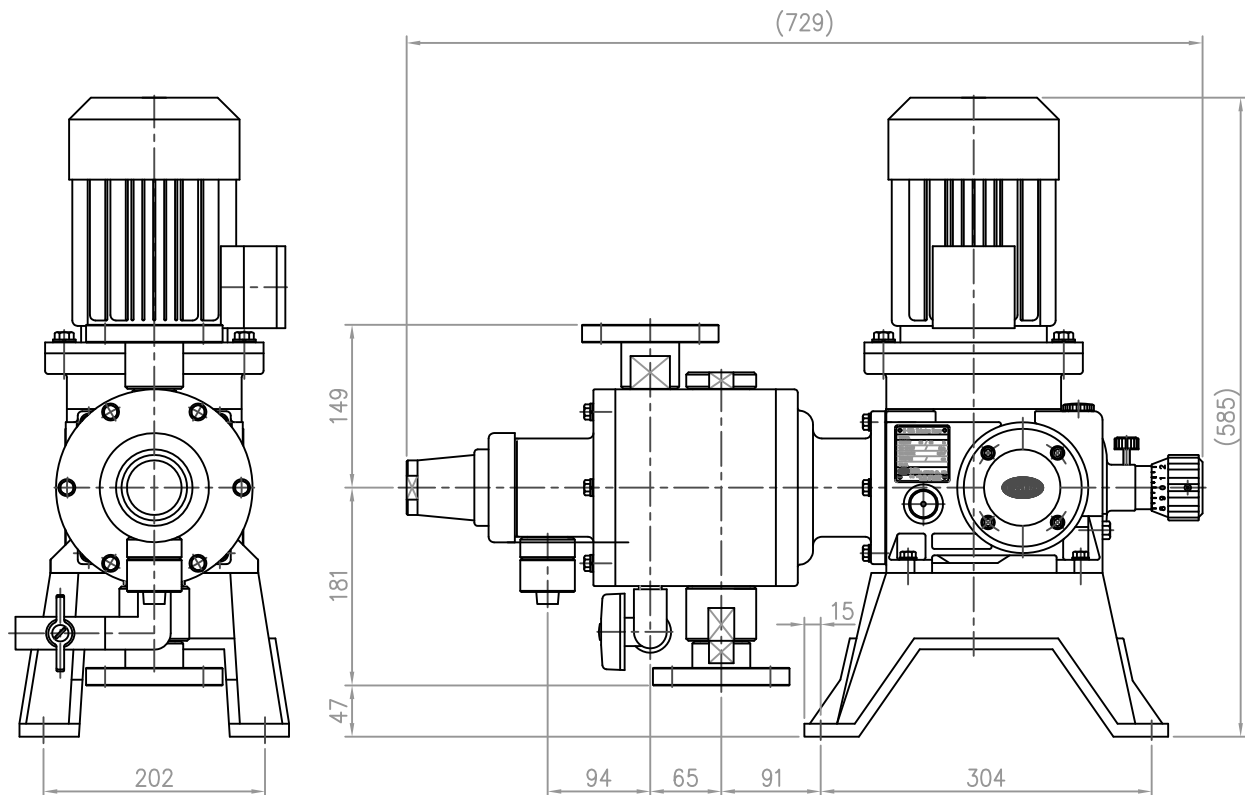
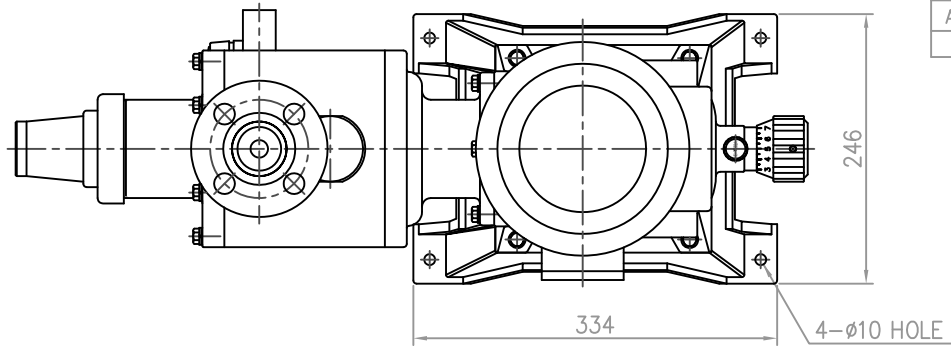
JMRV14LPCF	Sym.	Description	Rev. No.	Date	Confirmed by		
	△						
	△						
	△						
A	No.	Parts No.	Parts Name	Material	Spec.	Weight	Remark



Note
 1. Model : JSRV14L
 2. Material : PP / PVdF / PTFE
 3. Connection : Flange
 4. Drain valve : Not installed

이 도면은 (주)이화정량펌프의 기술 자산이므로 불법 유출시 관계법과 회사 규정에 의해 처벌 됩니다.

Projection	Triangle Method	Drawing Name	PUMP ASSEMBLY-DIM
Scale 1 / 5	Unit mm	Application	
Drawn by 2001.03.25	Designed by	Checked by	JMRV14LPCF-KS 10K 25A FF
	Approved by	Drawing Number	N10287E3055

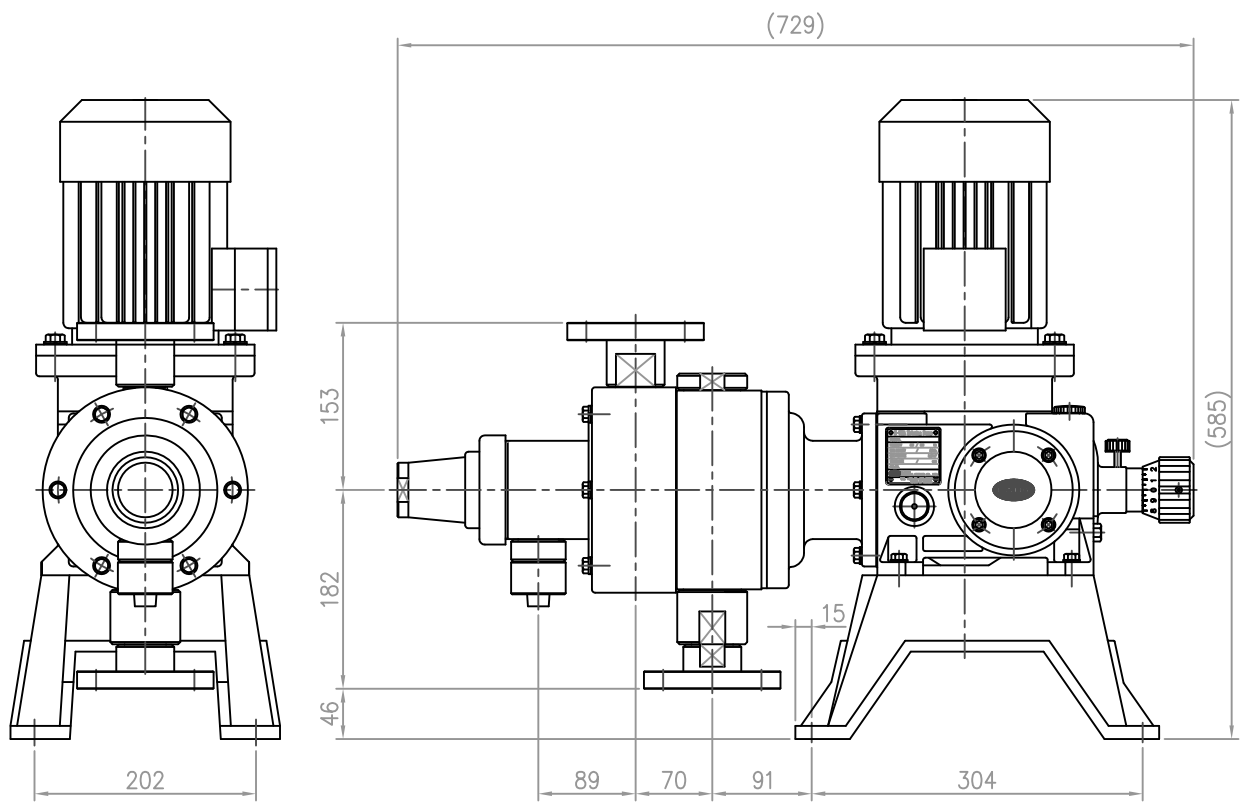
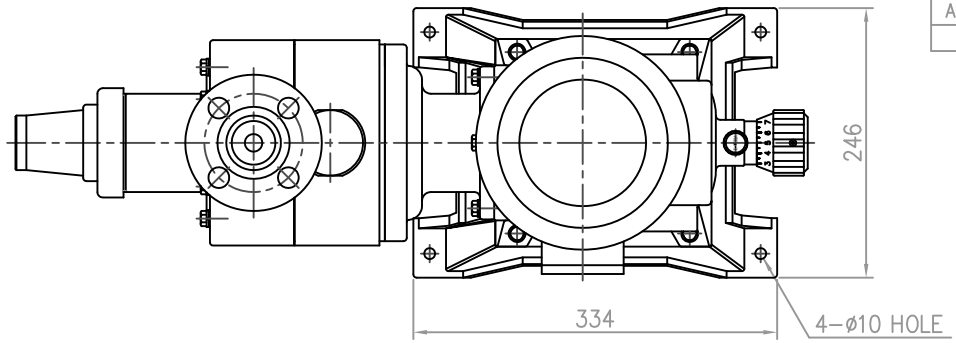


JMRV14LPCFD	Sym.	Description	Rev. No.	Date	Confirmed by		
	△						
	△						
	△						
	△						
A	No.	Parts No.	Parts Name	Material	Spec.	Weight	Remark

Note
 1. Model : JSRV14L
 2. Material : PP
 3. Connection : Flange
 4. Drain valve : Installed

이 도면은 (주)이화정량펌프의 기술 자산이므로 불법 유출시 관계법과 회사 규정에 의해 처벌 됩니다.

Projection	Triangle Method	Drawing Name	PUMP ASSEMBLY-DIM
Scale 1 / 5	Unit mm		
Drawn by 2001.03.25	Designed by	Checked by	Application JMRV14LPCFD-KS 10K 25A FF
	Approved by		Drawing Number N1028E3056



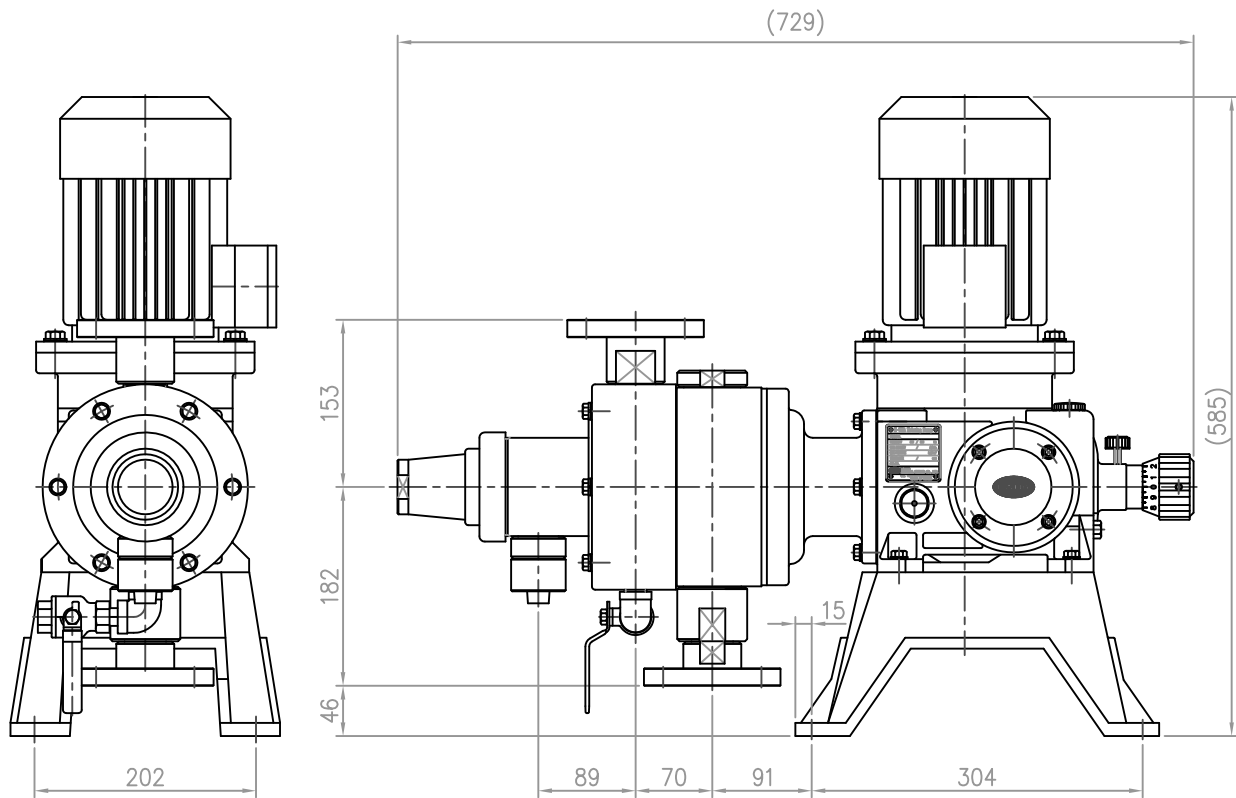
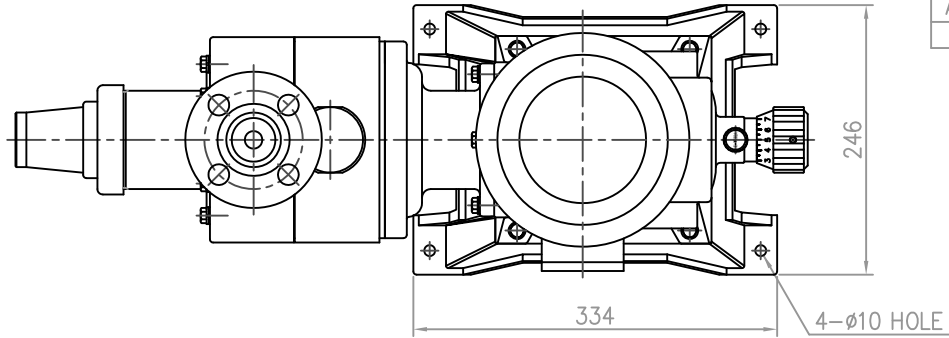
JMRV14LS4S4F	Sym.	Description	Rev. No.	Date	Confirmed by		
	△						
	△						
	△						
A	No.	Parts No.	Parts Name	Material	Spec.	Weight	Remark

Note
 1. Model : JSRV14L
 2. Material : Stainless steel
 3. Connection : Flange
 4. Drain valve : Not installed

이 도면은 (주)이화정량펌프의 기술 자산이므로 불법 유출시 관계법과 회사 규정에 의해 처벌 됩니다.

Projection	Triangle Method	Drawing Name	PUMP ASSEMBLY-DIM
Scale 1 / 5	Unit mm		
Drawn by 2001.03.25	Designed by	Checked by	Approved by
			Application JMRV14LS4S4F-KS 10K 25A FF
			Drawing Number N1029E3055

JMRV14LS4S4FD	Sym.	Description	Rev. No.	Date	Confirmed by		
	△						
	△						
	△						
A	No.	Parts No.	Parts Name	Material	Spec.	Weight	Remark



Note
 1. Model : JSRV14L
 2. Material : Stainless steel
 3. Connection : Flange
 4. Drain valve : Installed

이 도면은 (주)이화정량펌프의 기술 자산이므로 불법 유출시 관계법과 회사 규정에 의해 처벌 됩니다.

Projection	Triangle Method	Drawing Name	PUMP ASSEMBLY-DIM
Scale 1 / 5	Unit mm	Application	
Drawn by 2001.03.25	Designed by	Checked by	JMRV14LS4S4FD-KS 10K 25A FF
	Approved by	Drawing Number	N1029E3056