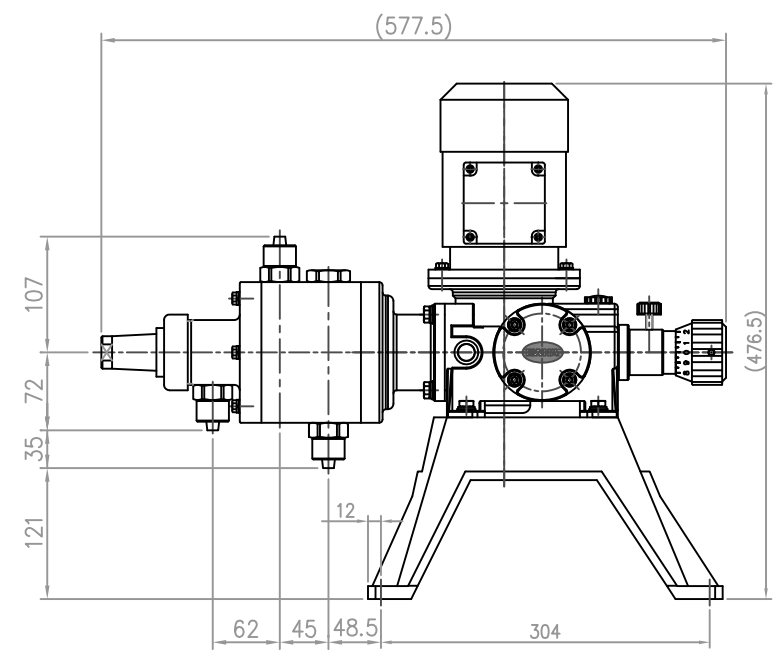
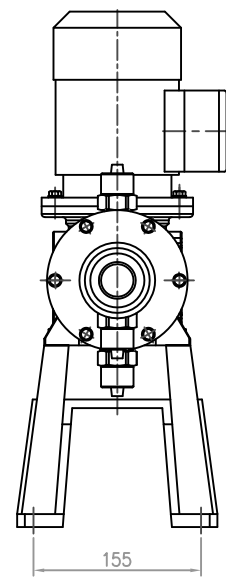
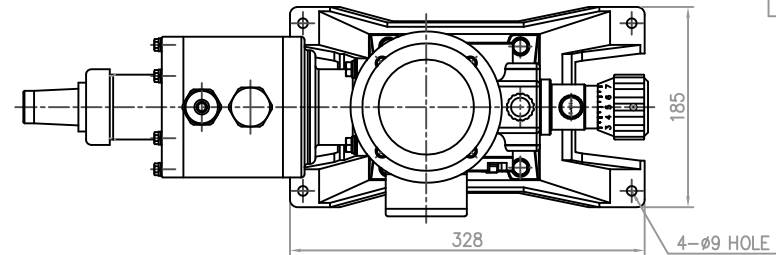


JSRV2000PCH	Sym.	Description	Rev. No.	Date	Confirmed by		
	△						
	△						
	△						
	△						
A	No.	Parts No.	Parts Name	Material	Spec.	Weight	Remark

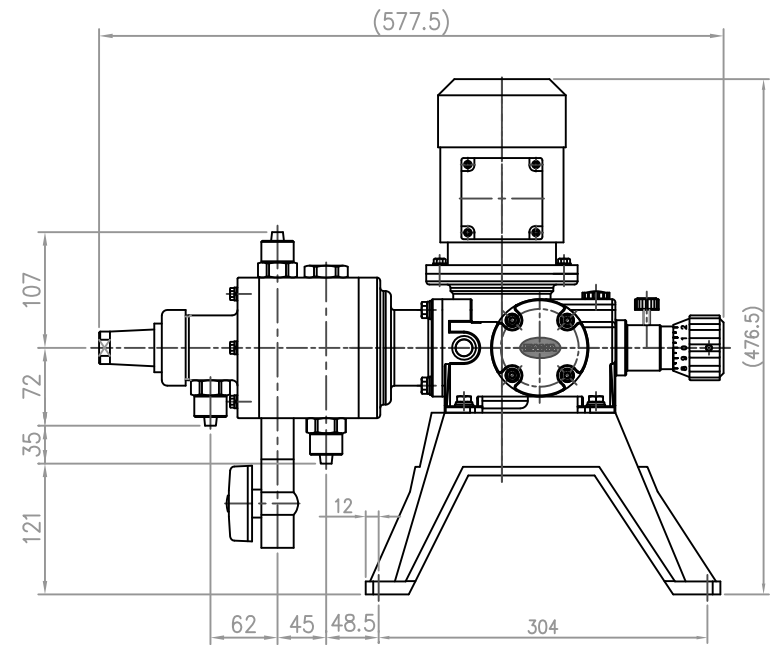
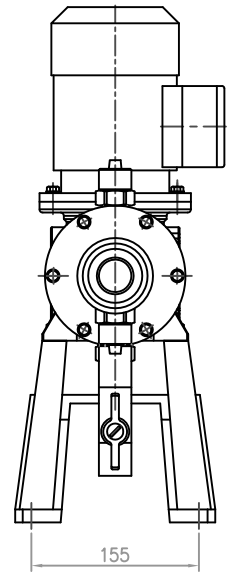
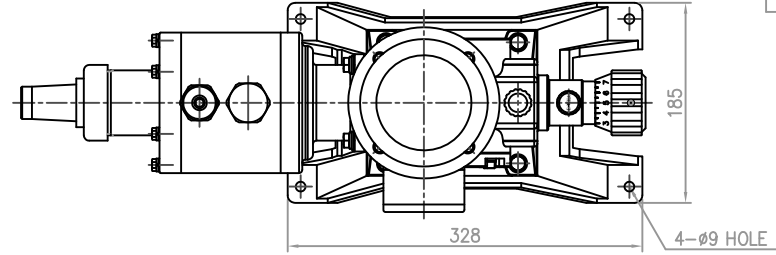


Note
 1. Model : JSRV2000
 2. Material : PP / PVdF / PTFE
 3. Connection : Hose
 4. Drain valve : Not installed

이 도면은 (주)이와정량펌프의 기술 자산이므로 불법 유출시 관계법과 회사 규정에 의해 처벌 됩니다.-N

Projection		Trigonometry		Drawing Name	DIMENSIONAL OUTLINE
Scale	1 / 5	Unit	mm		
Drawn by	Designed by	Checked by	Approved by	Application	JSRV2000PCH
2005.6.30				Drawing Number	H0007E3025

JSRV2000PCHD	Sym.	Description	Rev. No.	Date	Confirmed by		
	△						
	△						
	△						
	△						
A	No.	Parts No.	Parts Name	Material	Spec.	Weight	Remark



Note

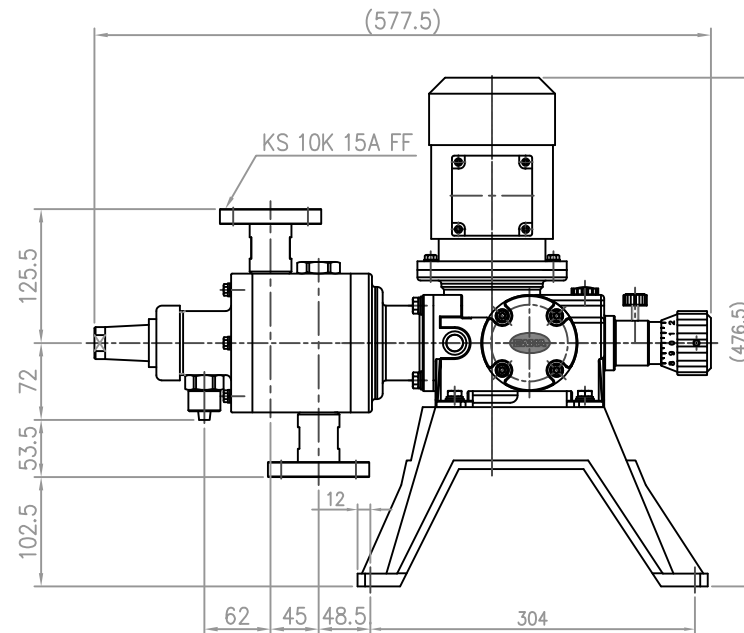
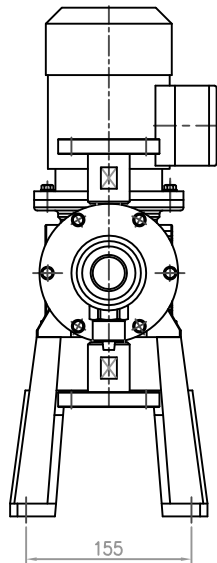
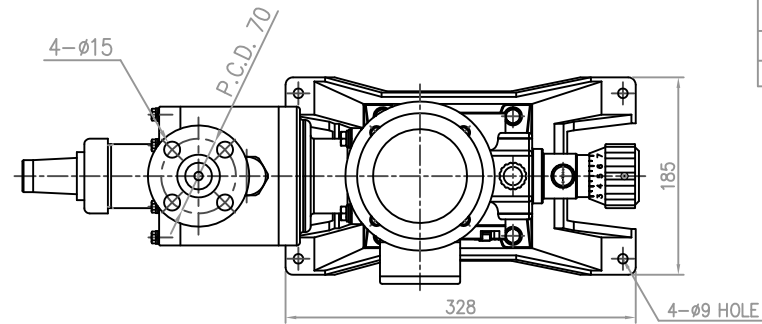
1. Model : JSRV2000
2. Material : PP
3. Connection : Hose
4. Drain valve : Installed

이 도면은 (주)이화정량펌프의 기술 자산이므로 불법 유출시 관계법과 회사 규정에 의해 처벌 됩니다.-N

Projection		Trigonometry		Drawing Name	DIMENSIONAL OUTLINE
Scale	1 / 5	Unit	mm		
Drawn by	Designed by	Checked by	Approved by	Application	JSRV2000PCHD
2005.6.30				Drawing Number	H0007E3026

Sym.	Description	Rev. No.	Date	Confirmed by
△				
△				
△				
△				

A	No.	Parts No.	Parts Name	Material	Spec.	Weight	Remark



Note

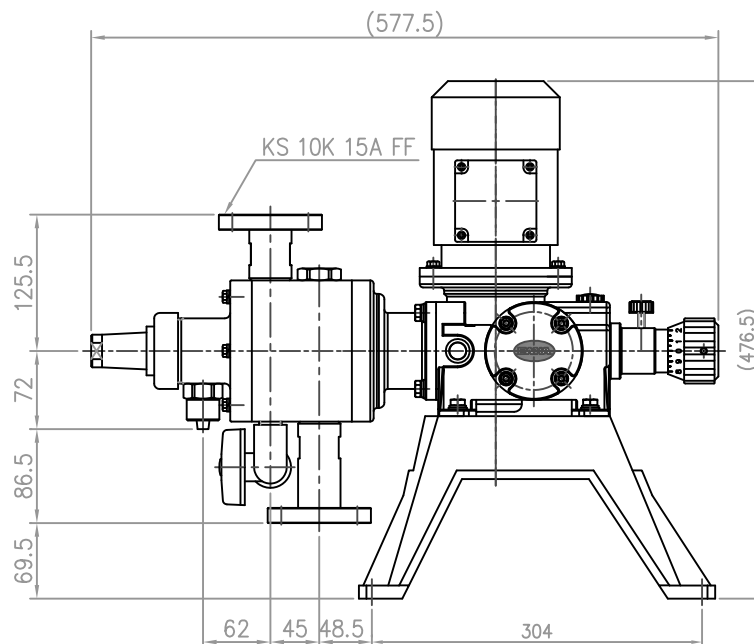
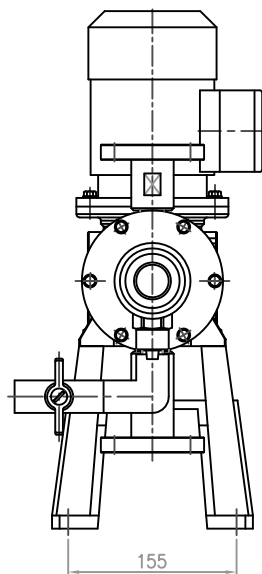
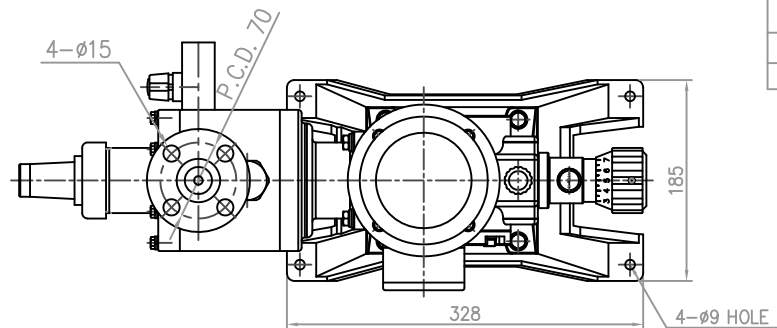
1. Model : JSRV2000
2. Material : PP / PVdF / PTFE
3. Connection : Hose
4. Drain valve : Not installed

이 도면은 (주)이화정량펌프의 기술
재산이므로 불법 유출시 관계법과
회사 규정에 의해 처벌 됩니다.-N

Projection		Trigonometry		Drawing Name	DIMENSIONAL OUTLINE
Scale	1 / 5	Unit	mm		
Drawn by	Designed by	Checked by	Approved by	Application	JSRV2000PCF-15A FF
2005.6.30				Drawing Number	H0007E3027

Sym.	Description	Rev. No.	Date	Confirmed by
△				
△				
△				
△				

A	No.	Parts No.	Parts Name	Material	Spec.	Weight	Remark



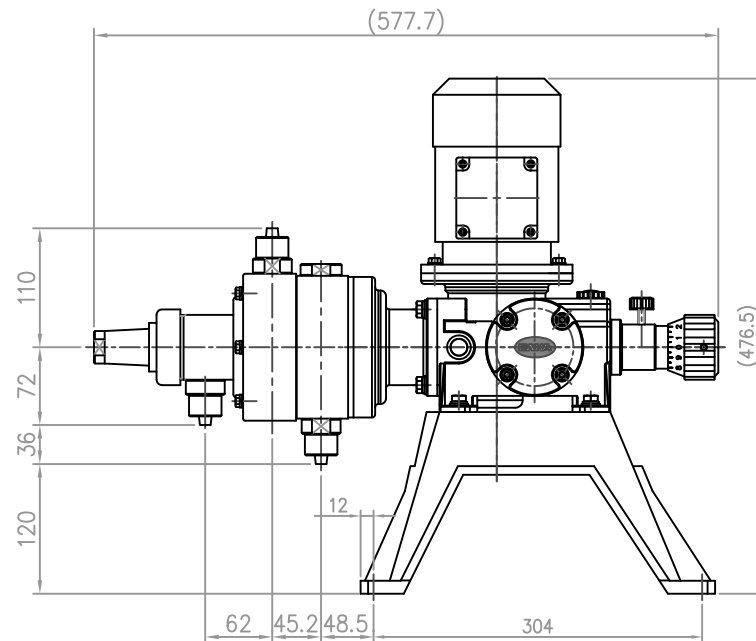
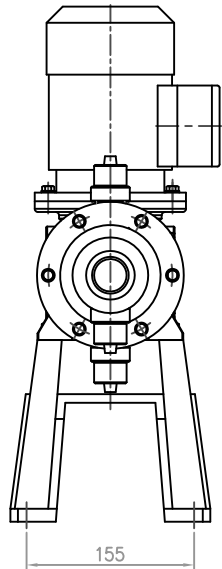
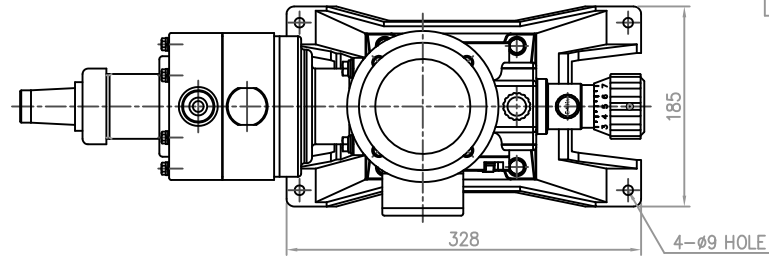
Note

1. Model : JSRV2000
2. Material : PP
3. Connection : Hose
4. Drain valve : Installed

이 도면은 (주)이화정량펌프의 기술 자산이므로 불법 유출시 관계법과 회사 규정에 의해 처벌 됩니다.-N

Projection	Trigonometry		Drawing Name	DIMENSIONAL OUTLINE
Scale	1 / 5	Unit	mm	
Drawn by	Designed by	Checked by	Approved by	Application
2005.6.30				JSRV2000PCFD-15A FF
				Drawing Number
				H0007E3028

JSRV2000S4S4H	Sym.	Description	Rev. No.	Date	Confirmed by		
	△						
	△						
	△						
A	No.	Parts No.	Parts Name	Material	Spec.	Weight	Remark

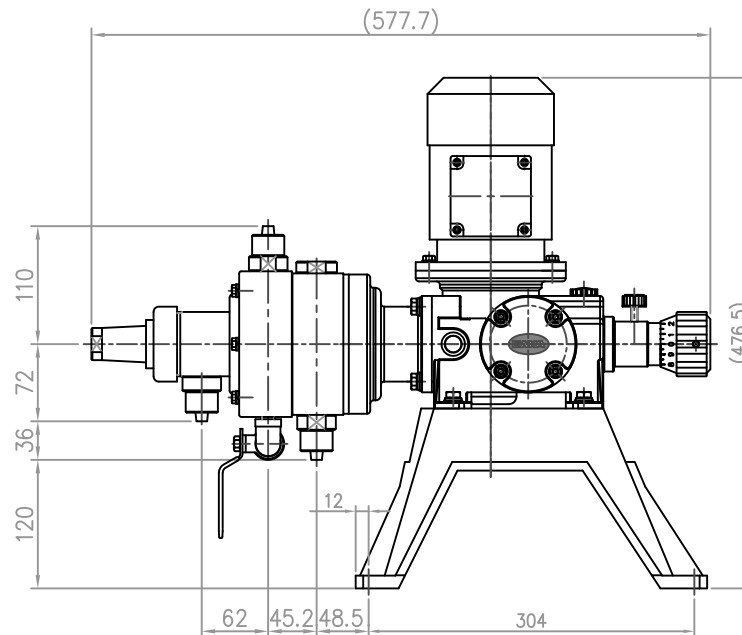
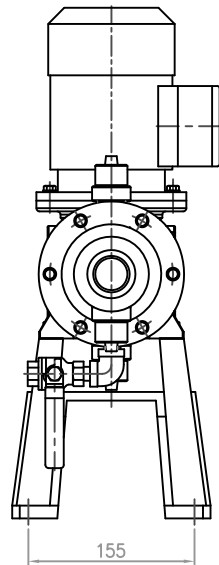
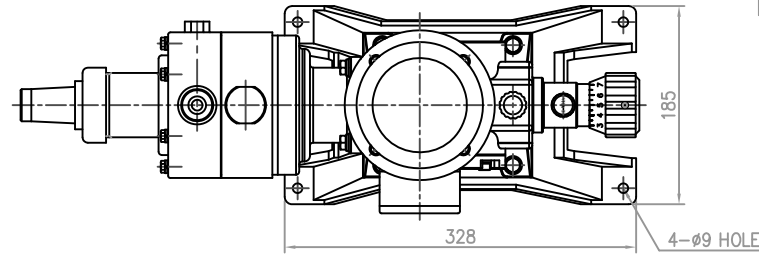


Note
 1. Model : JSRV2000
 2. Material : Stainless steel
 3. Connection : Hose
 4. Drain valve : Not installed

이 도면은 (주)이화정량펌프의 기술
 자산이므로 불법 유출시 관계법과
 회사 규정에 의해 처벌 됩니다.-N

Projection	Trigonometry		Drawing Name	DIMENSIONAL OUTLINE
Scale	1 / 5	Unit mm		
Drawn by	Designed by	Checked by	Approved by	Application
2005.6.30				JSRV2000S4S4H
			Drawing Number	H0008E3025

JSRV2000S4S4HD	Sym.	Description	Rev. No.	Date	Confirmed by		
	△						
	△						
	△						
A	No.	Parts No.	Parts Name	Material	Spec.	Weight	Remark



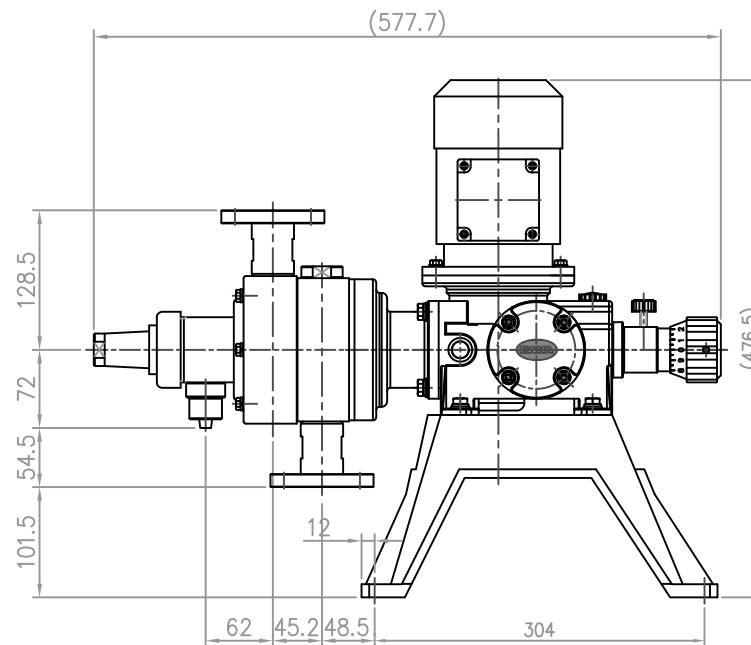
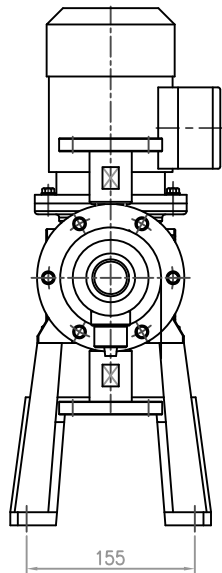
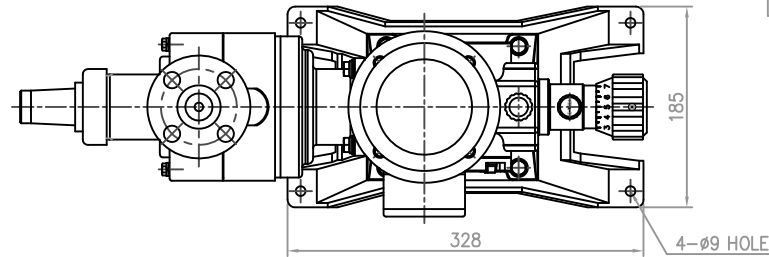
Note

1. Model : JSRV2000
2. Material : Stainless steel
3. Connection : Hose
4. Drain valve : Installed

이 도면은 (주)이화정량펌프의 기술 자산이므로 불법 유출시 관계법과 회사 규정에 의해 처벌 됩니다.-N

Projection		Trigonometry		Drawing Name	DIMENSIONAL OUTLINE
Scale	1 / 5	Unit	mm		
Drawn by	Designed by	Checked by	Approved by	Application	JSRV2000S4S4HD
2005.6.30				Drawing Number	H0008E3026

JSRV2000S4S4F		Sym.	Description	Rev. No.	Date	Confirmed by	
		△					
		△					
		△					
		△					
A	No.	Parts No.	Parts Name	Material	Spec.	Weight	Remark



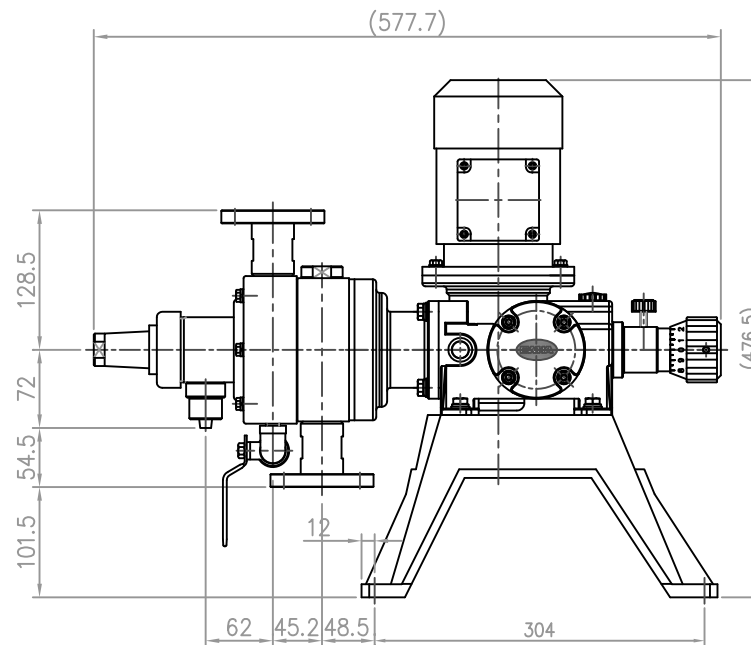
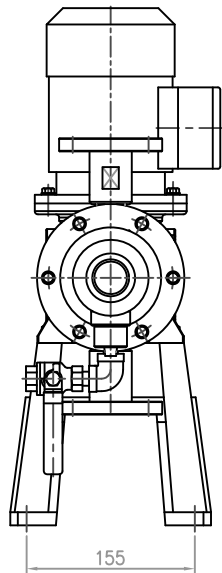
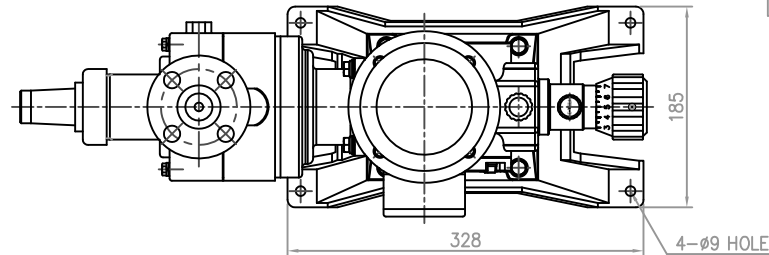
Note
 1. Model : JSRV2000
 2. Material : Stainless steel
 3. Connection : Flange
 4. Drain valve : Not installed

이 도면은 (주)이화정량펌프의 기술
 자산이므로 불법 유출시 관계법과
 회사 규정에 의해 처벌 됩니다. -N

Projection		Trigonometry		Drawing Name	PUMP ASSEMBLY-DIM
Scale	1 / 5	Unit	mm		
Drawn by	Designed by	Checked by	Approved by	Application	JSRV2000S4S4F-KS 10K 15A FF
2005.6.30				Drawing Number	H1029E3027

Sym.	Description	Rev. No.	Date	Confirmed by
△				
△				
△				
△				

A	No.	Parts No.	Parts Name	Material	Spec.	Weight	Remark



Note
 1. Model : JSRV2000
 2. Material : Stainless steel
 3. Connection : Flange
 4. Drain valve : Installed

이 도면은 (주)이화정량펌프의 기술
 자산이므로 불법 유출시 관계법과
 회사 규정에 의해 처벌 됩니다. -N

Projection		Trigonometry		Drawing Name	PUMP ASSEMBLY-DIM
Scale	1 / 5	Unit	mm		
Drawn by	Designed by	Checked by	Approved by	Application	JSRV2000S4S4FD-KS 10K 15A FF
2005.6.30				Drawing Number	H1029E3028