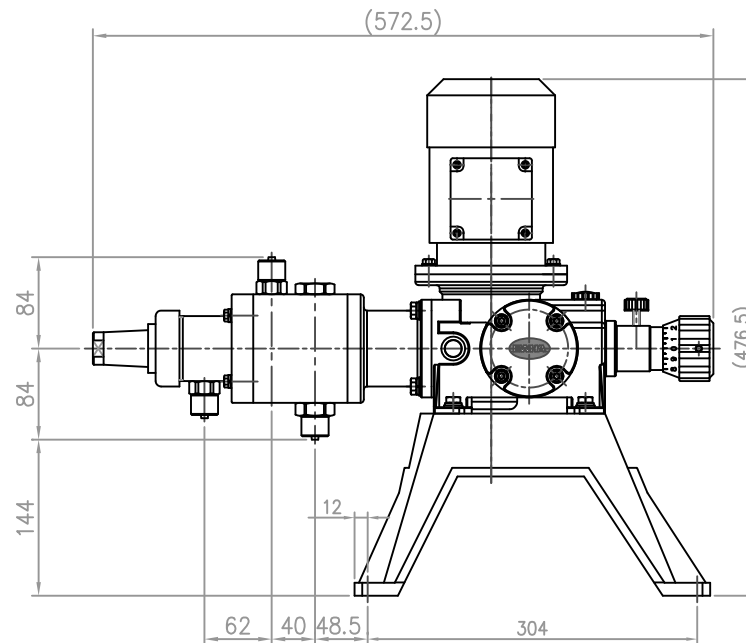
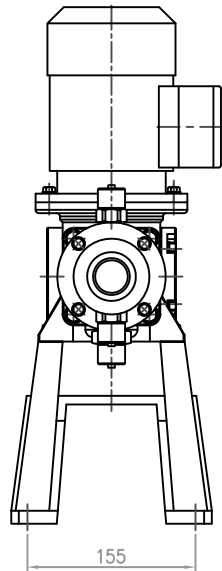
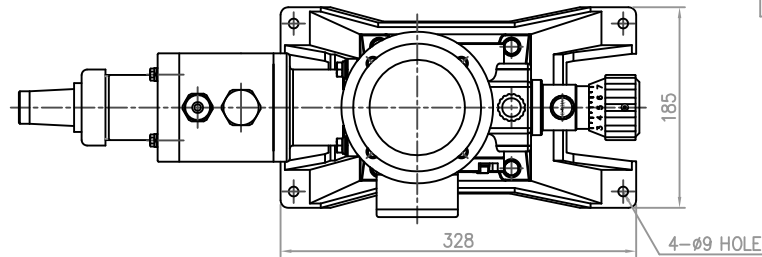


Sym.	Description	Rev. No.	Date	Confirmed by
△				
△				
△				
△				

A	No.	Parts No.	Parts Name	Material	Spec.	Weight	Remark



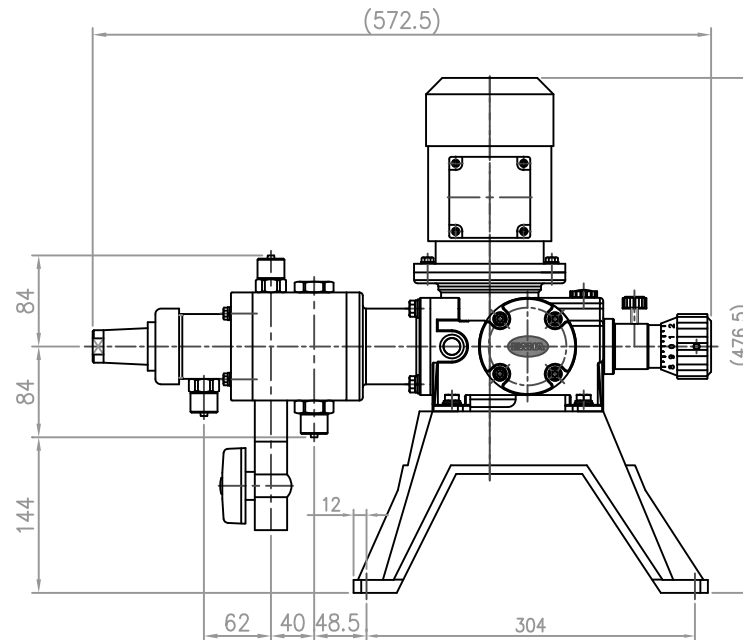
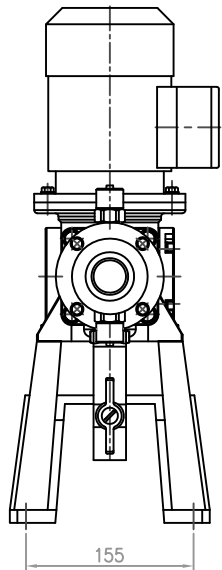
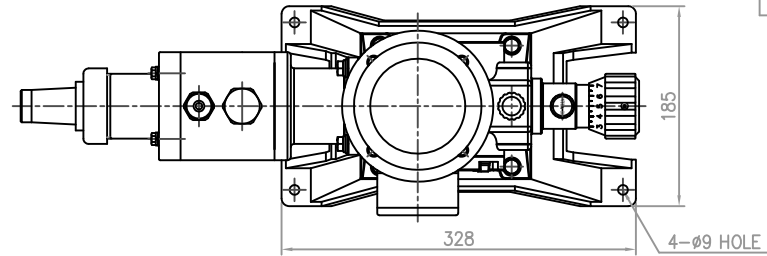
Note

1. Model : JSRV300
2. Material : PP / PVdF / PTFE
3. Connection : Hose
4. Drain valve : Not installed

이 도면은 (주)이화정량펌프의 기술
자산이므로 불법 유출시 관계법과
회사 규정에 의해 처벌 됩니다.-N

Projection	Trigonometry		Drawing Name	DIMENSIONAL OUTLINE
Scale	Unit	mm		
1 / 5				
Drawn by 2005.6.30	Designed by	Checked by	Approved by	Application JSRV300PCH
				Drawing Number H0007E3013

JSRV300PCHD	Sym.	Description	Rev. No.	Date	Confirmed by		
	△						
	△						
	△						
	△						
A	No.	Parts No.	Parts Name	Material	Spec.	Weight	Remark

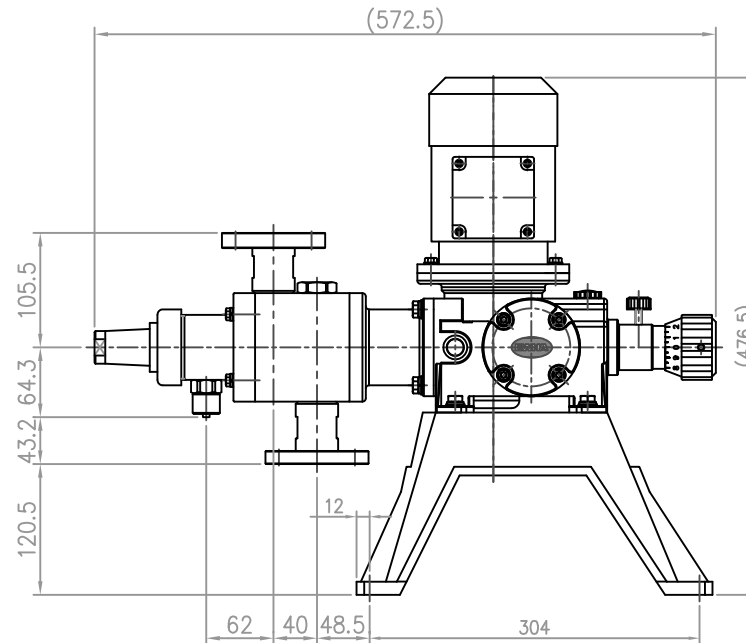
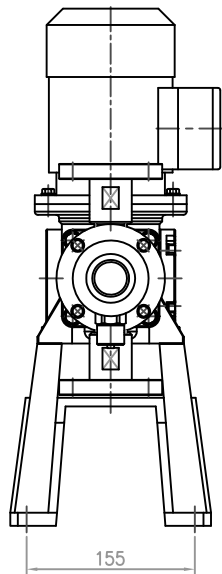
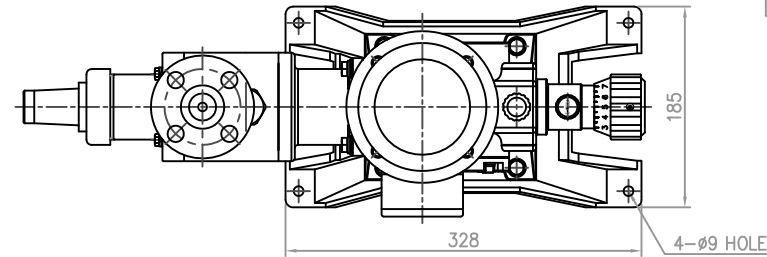


Note
 1. Model : JSRV300
 2. Material : PP
 3. Connection : Hose
 4. Drain valve : Installed

이 도면은 (주)이화정량펌프의 기술
 자산이므로 불법 유출시 관계법과
 회사 규정에 의해 처벌 됩니다.-N

Projection	Trigonometry		Drawing Name	DIMENSIONAL OUTLINE
Scale	1 / 5	Unit mm		
Drawn by	Designed by	Checked by	Approved by	Application
2005.6.30				JSRV300PCHD
				Drawing Number
				H0007E3014

Sym.	Description	Rev. No.	Date	Confirmed by			
△							
△							
△							
△							
A	No.	Parts No.	Parts Name	Material	Spec.	Weight	Remark

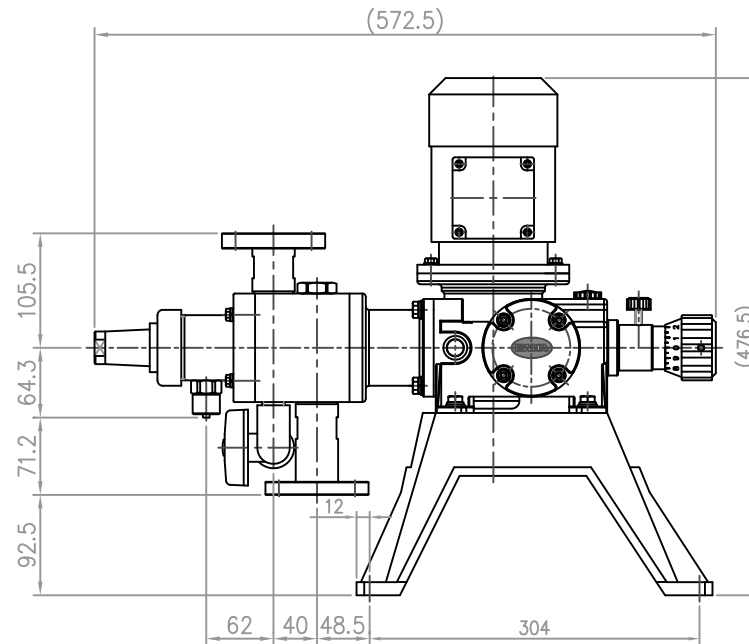
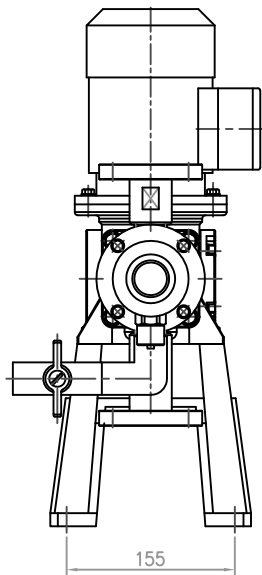
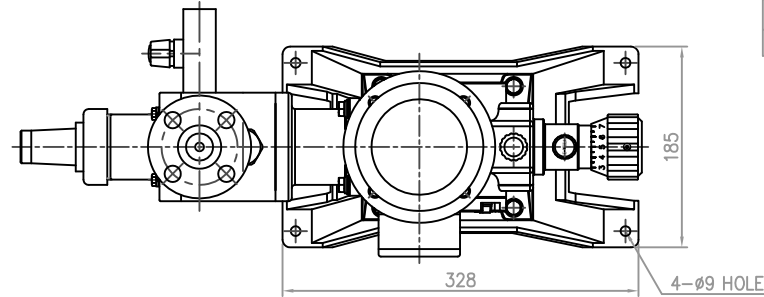


Note
 1. Model : JSRV300
 2. Material : PP / PVdF / PTFE
 3. Connection : Flange
 4. Drain valve : Not installed

이 도면은 (주)이화정량펌프의 기술
 자산이므로 불법 유출시 관계법과
 회사 규정에 의해 처벌 됩니다. -N

Projection	Trigonometry		Drawing Name	PUMP ASSEMBLY-DIM
Scale	1 / 5	Unit	mm	
Drawn by	Designed by	Checked by	Approved by	Application JSRV300PCF-KS 10K 15A FF
2005.6.30				Drawing Number H1028E3015

JSRV300PCFD		Sym.	Description	Rev. No.	Date	Confirmed by	
		△					
		△					
		△					
		△					
A	No.	Parts No.	Parts Name	Material	Spec.	Weight	Remark

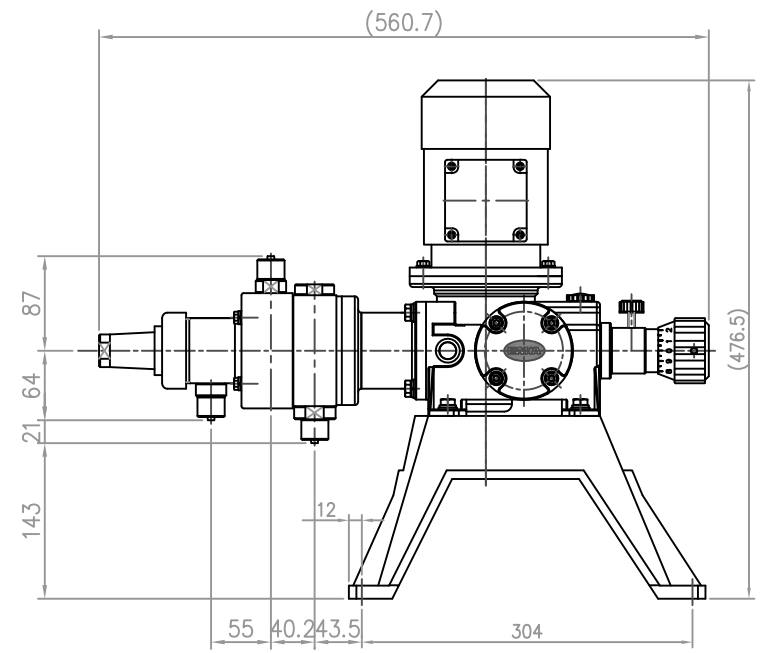
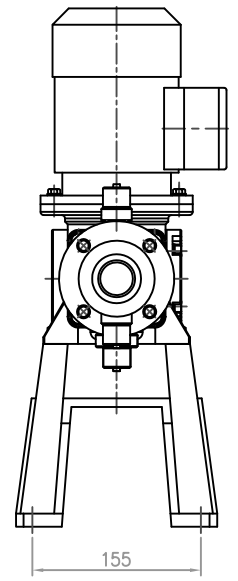
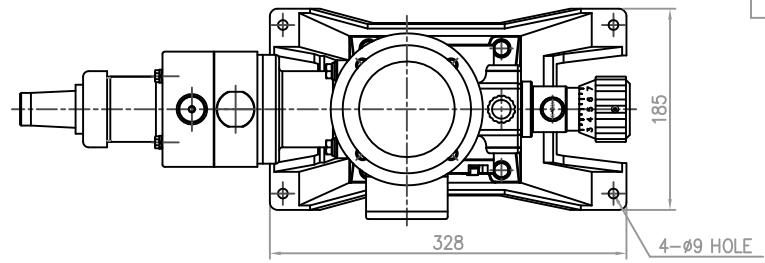


Note
 1. Model : JSRV300
 2. Material : PP
 3. Connection : Flange
 4. Drain valve : Installed

이 도면은 (주)이화정량펌프의 기술
 자산이므로 불법 유출시 관계법과
 회사 규정에 의해 처벌 됩니다. -N

Projection		Trigonometry		Drawing Name	PUMP ASSEMBLY-DIM
Scale	1 / 5	Unit	mm		
Drawn by	Designed by	Checked by	Approved by	Application	JSRV300PCFD-KS 10K 15A FF
2005.6.30				Drawing Number	H1028E3015

JSRV300S4S4H	Sym.	Description	Rev. No.	Date	Confirmed by		
	△						
	△						
	△						
A	No.	Parts No.	Parts Name	Material	Spec.	Weight	Remark

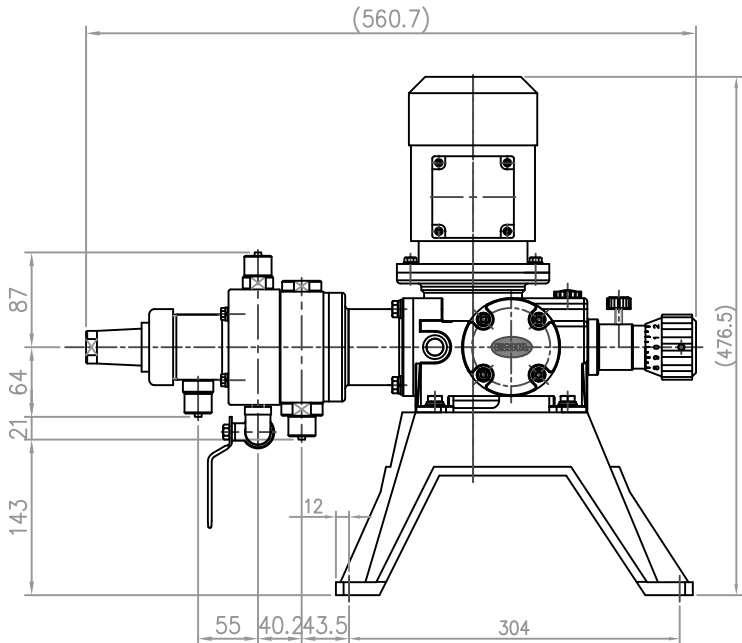
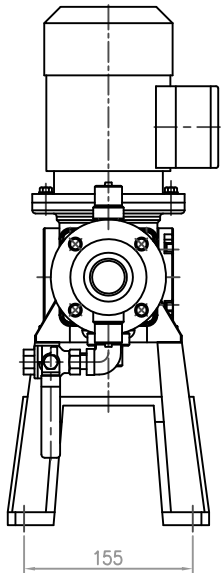
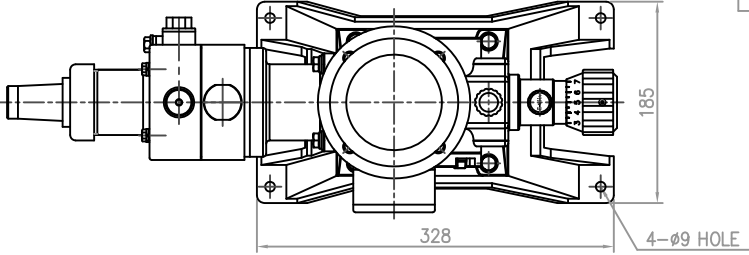


Note
 1. Model : JSRV300
 2. Material : Stainless steel
 3. Connection : Hose
 4. Drain valve : Not installed

이 도면은 (주)이화정량펌프의 기술
 자산이므로 불법 유출시 관계법과
 회사 규정에 의해 처벌 됩니다.-N

Projection		Trigonometry		Drawing Name	DIMENSIONAL OUTLINE
Scale	1 / 5	Unit	mm		
Drawn by	Designed by	Checked by	Approved by	Application	JSRV300S4S4H
2005.6.30				Drawing Number	H0008E3013

JSRV300S4S4HD	Sym.	Description	Rev. No.	Date	Confirmed by		
	△						
	△						
	△						
A	No.	Parts No.	Parts Name	Material	Spec.	Weight	Remark

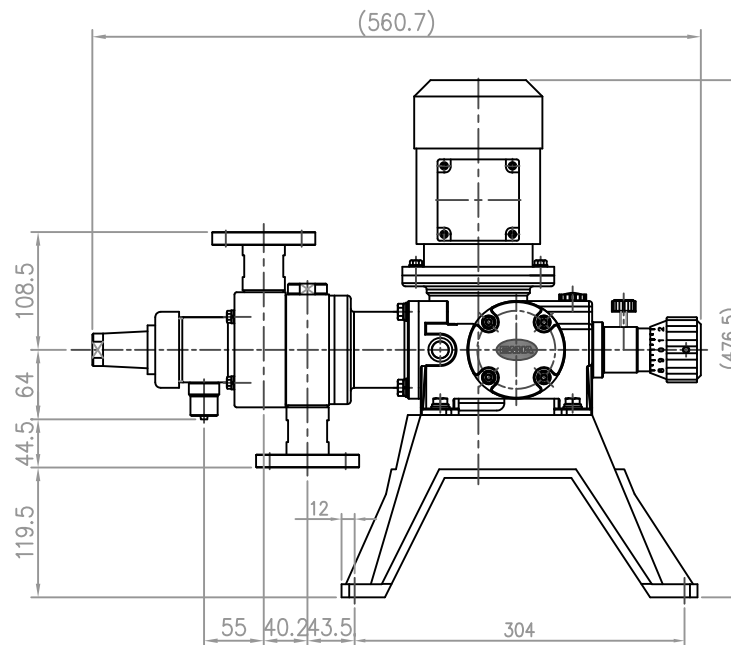
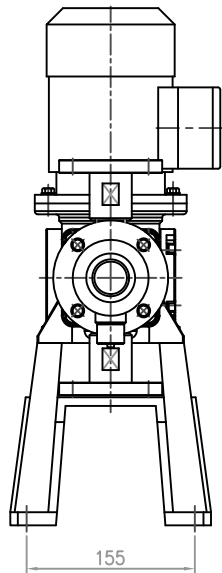
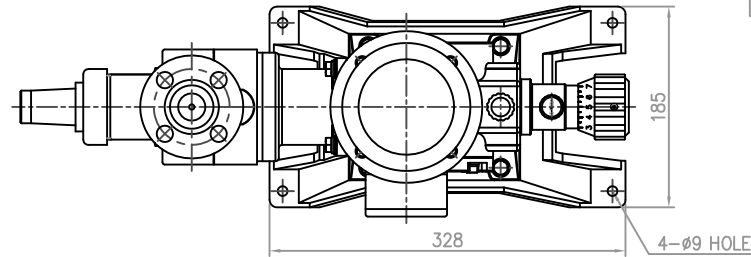


Note
1. Model : JSRV300
2. Material : Stainless steel
3. Connection : Hose
4. Drain valve : Installed

이 도면은 (주)이화정량펌프의 기술 자산이므로 불법 유출시 관계법과 회사 규정에 의해 처벌 됩니다.-N

Projection	Trigonometry		Drawing Name	DIMENSIONAL OUTLINE
Scale	1 / 5	Unit mm		
Drawn by	Designed by	Checked by	Approved by	Application JSRV300S4S4HD
2005.6.30				Drawing Number H0008E3014

JSRV300S4S4F	Sym.	Description	Rev. No.	Date	Confirmed by		
	△						
	△						
	△						
A	No.	Parts No.	Parts Name	Material	Spec.	Weight	Remark

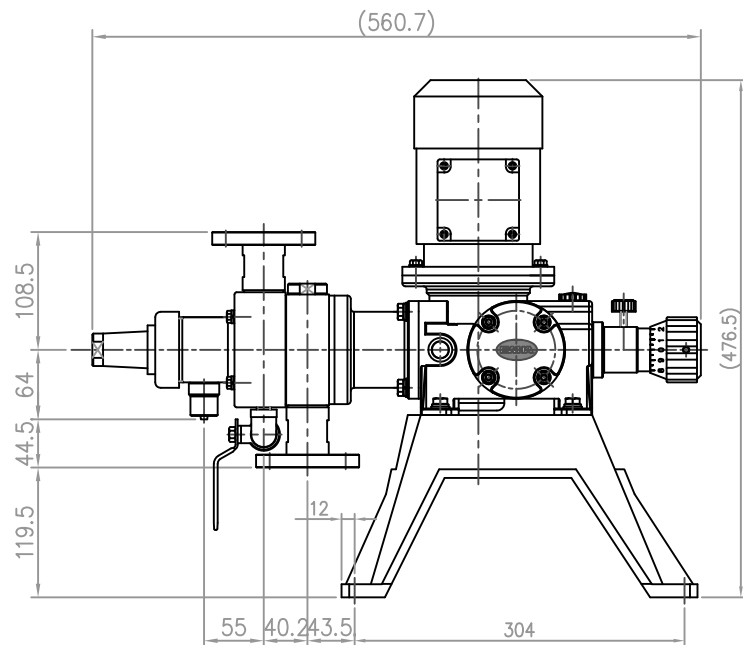
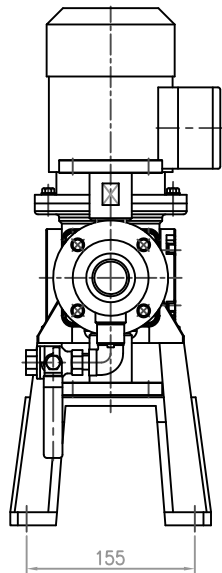
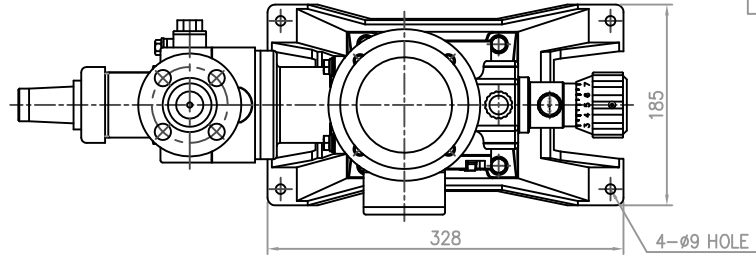


Note
 1. Model : JSRV300
 2. Material : Stainless steel
 3. Connection : Flange
 4. Drain valve : Not installed

이 도면은 (주)이화정량펌프의 기술
 자산이므로 불법 유출시 관계법과
 회사 규정에 의해 처벌 됩니다. -N

Projection		Trigonometry		Drawing Name	PUMP ASSEMBLY-DIM
Scale	1 / 5	Unit	mm		
Drawn by	Designed by	Checked by	Approved by	Application	JSRV300S4S4F-KS 10K 15A FF
2005.6.30				Drawing Number	H1029E3015

JSRV300S4S4FD		Sym.	Description	Rev. No.	Date	Confirmed by	
		△					
		△					
		△					
		△					
A	No.	Parts No.	Parts Name	Material	Spec.	Weight	Remark



Note
 1. Model : JSRV300
 2. Material : Stainless steel
 3. Connection : Flange
 4. Drain valve : Installed

이 도면은 (주)이화정량펌프의 기술
 자산이므로 불법 유출시 관계법과
 회사 규정에 의해 처벌 됩니다. -N

Projection		Trigonometry		Drawing Name
Scale	1 / 5	Unit	mm	PUMP ASSEMBLY-DIM
Drawn by	Designed by	Checked by	Approved by	Application JSRV300S4S4FD-KS 10K 15A FF
2005.6.30				Drawing Number H1029E3016