

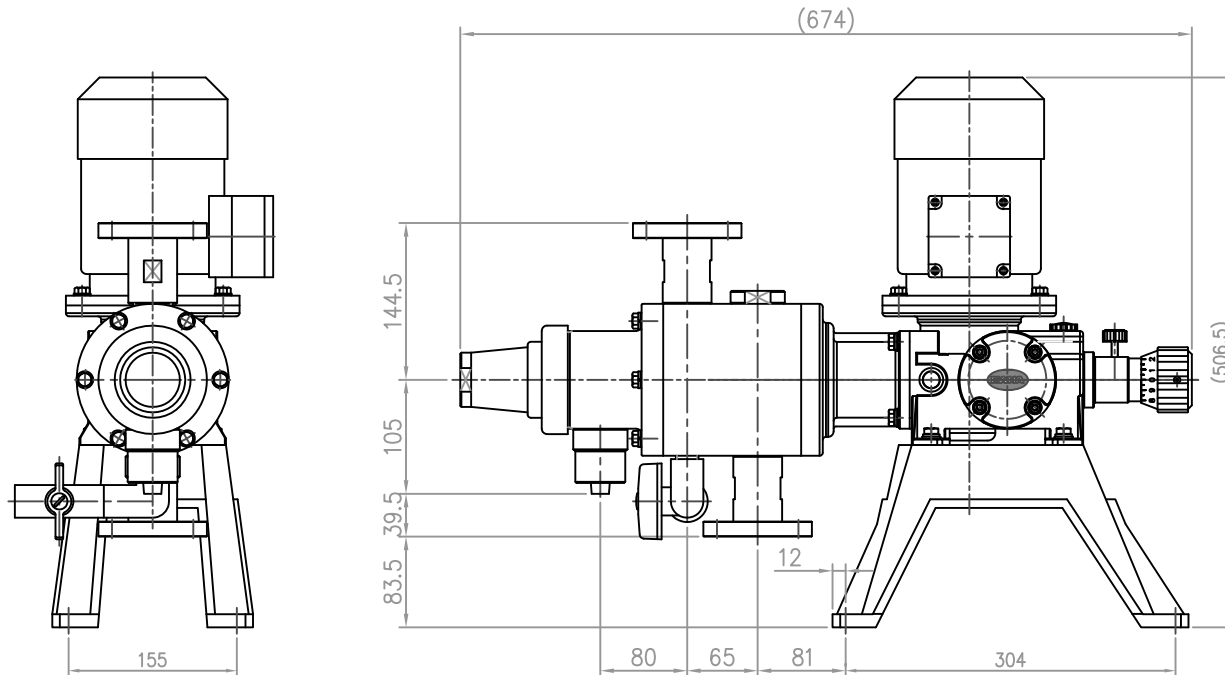
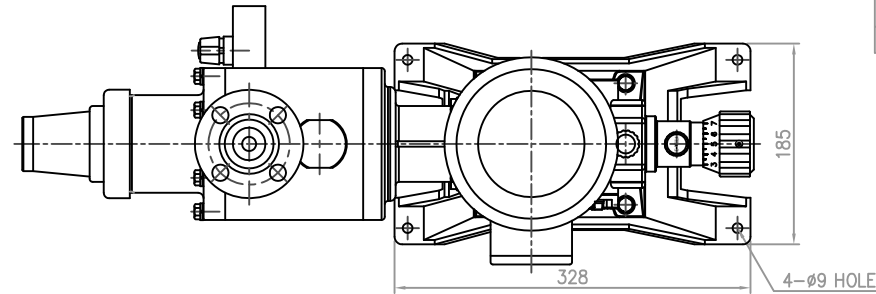
JSRV4000PCF		Sym.	Description	Rev. No.	Date	Confirmed by	
		△					
		△					
		△					
		△					
A	No.	Parts No.	Parts Name	Material	Spec.	Weight	Remark

Note
 1. Model : JSRV4000
 2. Material : PP / PVdF / PTFE
 3. Connection : Flange
 4. Drain valve : Not installed

이 도면은 (주)이화정량펌프의 기술
 자산이므로 불법 유출시 관계법과
 회사 규정에 의해 처벌 됩니다. -N

Projection		Trigonometry		Drawing Name	PUMP ASSEMBLY-DIM
Scale	1 / 5	Unit	mm	Drawing Name	
Drawn by	Designed by	Checked by	Approved by	Application	JSRV4000PCF-KS 10K-20A FF
2005.6.30				Drawing Number	H1028E3035

JSRV4000PCFD		Sym.	Description	Rev. No.	Date	Confirmed by	
		△					
		△					
		△					
		△					
A	No.	Parts No.	Parts Name	Material	Spec.	Weight	Remark

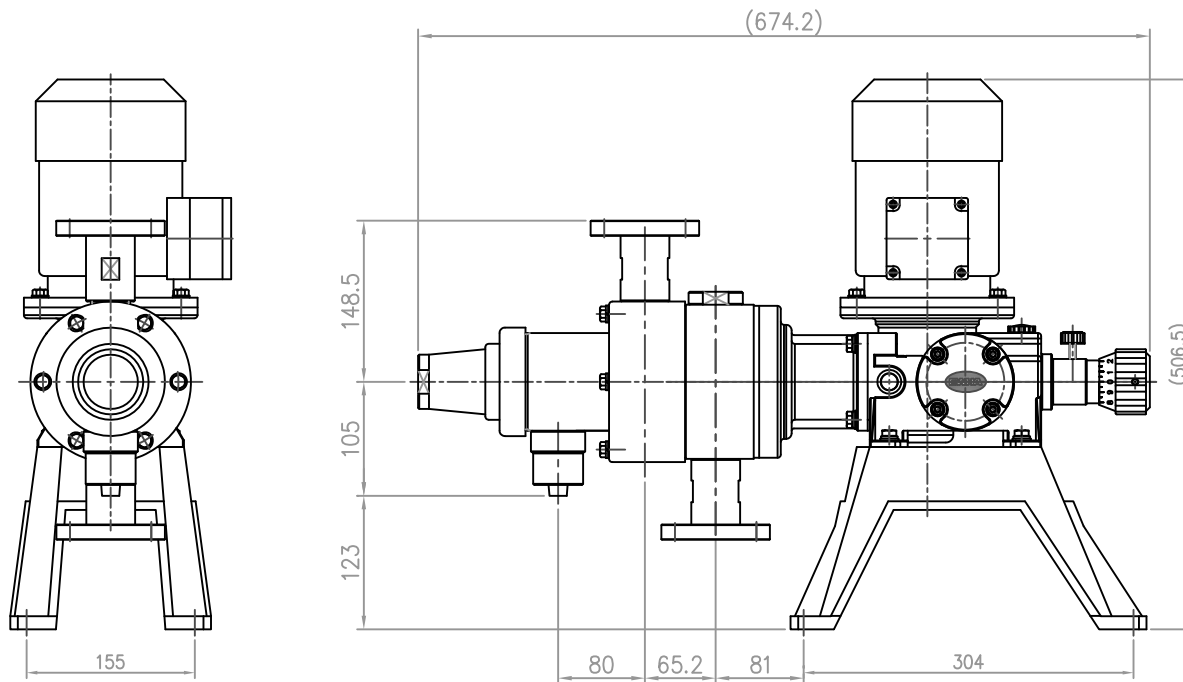
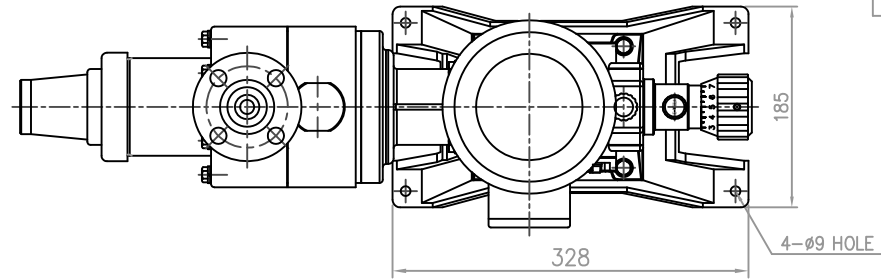


Note
 1. Model : JSRV4000
 2. Material : PP
 3. Connection : Flange
 4. Drain valve : Installed

이 도면은 (주)이화정량펌프의 기술
 자산이므로 불법 유출시 관계법과
 회사 규정에 의해 처벌 됩니다. -N

Projection		Trigonometry		Drawing Name	PUMP ASSEMBLY-DIM
Scale	1 / 5	Unit	mm		
Drawn by	Designed by	Checked by	Approved by	Application	JSRV4000PCFD-KS 10K20A FF
2005.6.30				Drawing Number	H1028E3036

JSRV4000S4S4F		Sym.	Description	Rev. No.	Date	Confirmed by	
		△					
		△					
		△					
		△					
A	No.	Parts No.	Parts Name	Material	Spec.	Weight	Remark



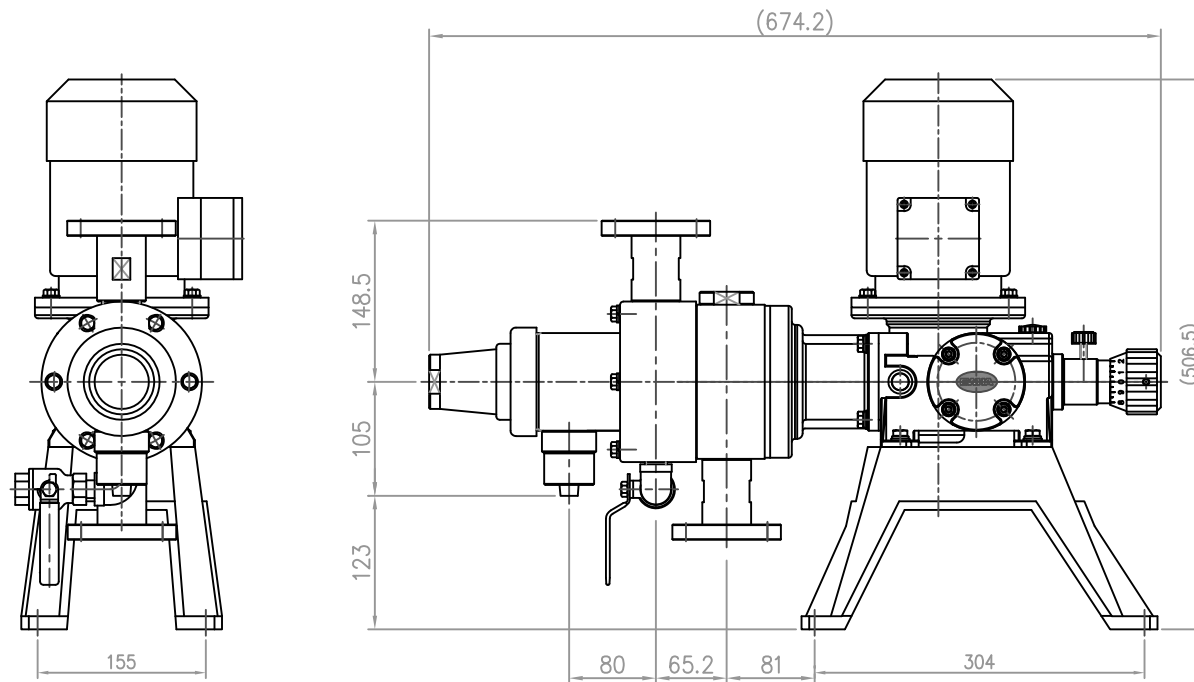
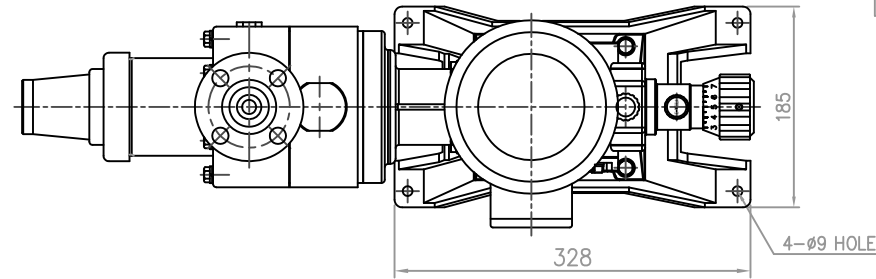
Note

1. Model : JSRV4000
2. Material : Stainless steel
3. Connection : Flange
4. Drain valve : Not installed

이 도면은 (주)이화정량펌프의 기술
자산이므로 불법 유출시 관계법과
회사 규정에 의해 처벌 됩니다. -N

Projection		Trigonometry		Drawing Name	PUMP ASSEMBLY-DIM
Scale	1 / 5	Unit	mm		
Drawn by	Designed by	Checked by	Approved by	Application	JSRV4000S4S4F-KS 10K 20A FF
2005.6.30				Drawing Number	H1029E3035

JSRV4000S4S4FD	Sym.	Description	Rev. No.	Date	Confirmed by		
	△						
	△						
	△						
A	No.	Parts No.	Parts Name	Material	Spec.	Weight	Remark



Note

1. Model : JSRV4000
2. Material : Stainless steel
3. Connection : Flange
4. Drain valve : Installed

이 도면은 (주)이화정량펌프의 기술
자산이므로 불법 유출시 관계법과
회사 규정에 의해 처벌 됩니다. -N

Projection		Trigonometry		Drawing Name	PUMP ASSEMBLY-DIM
Scale	1 / 5	Unit	mm		
Drawn by	Designed by	Checked by	Approved by	Application	JSRV4000S4S4FD-KS 10K 20A FF
2005.6.30				Drawing Number	H1029E3035