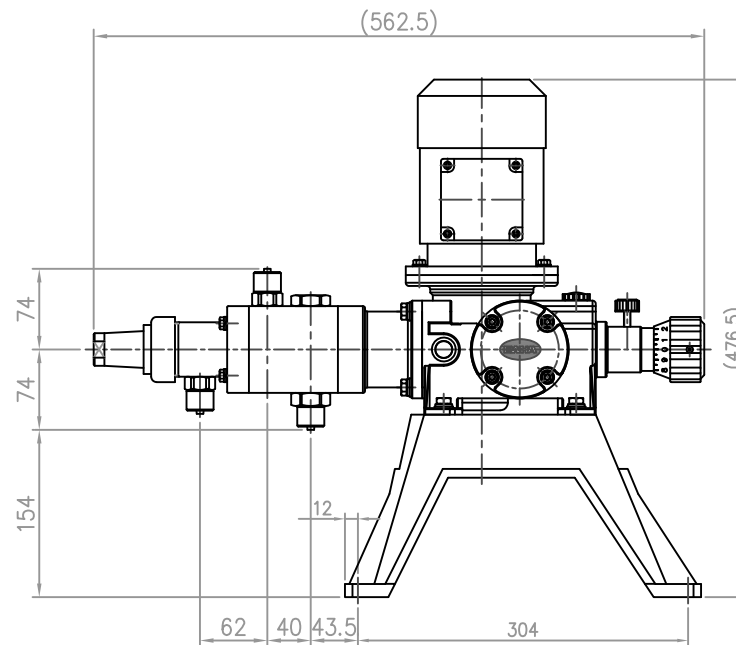
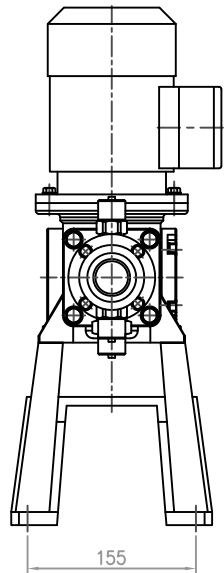
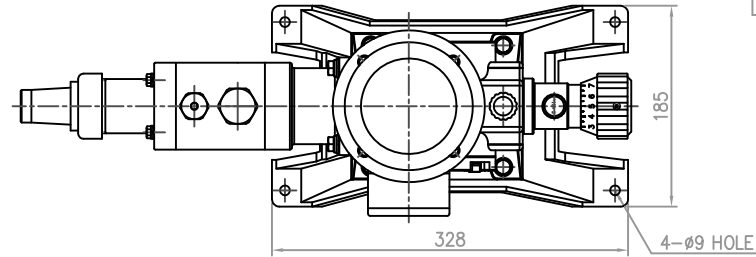


Sym.	Description	Rev. No.	Date	Confirmed by
△				
△				
△				
△				

A	No.	Parts No.	Parts Name	Material	Spec.	Weight	Remark



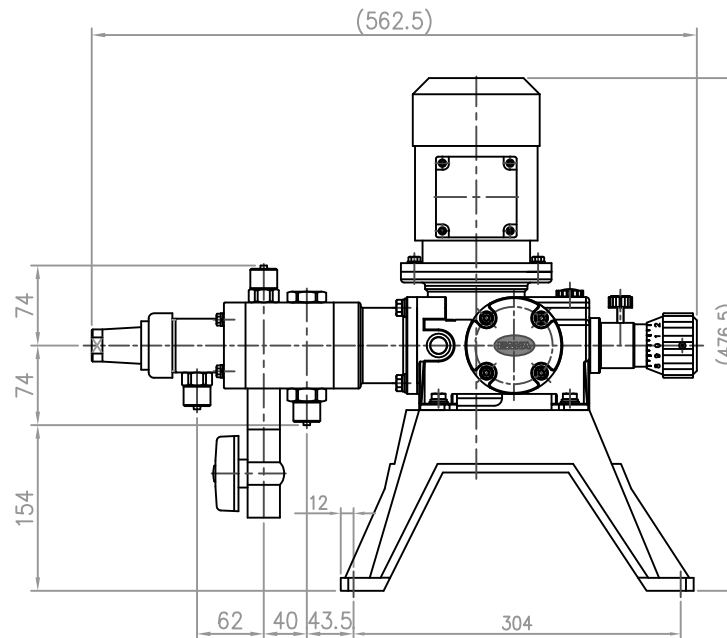
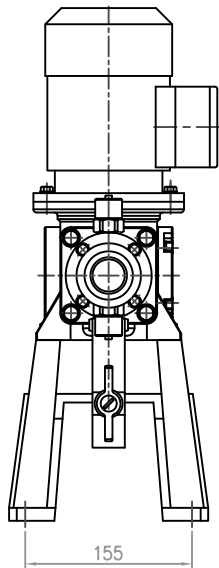
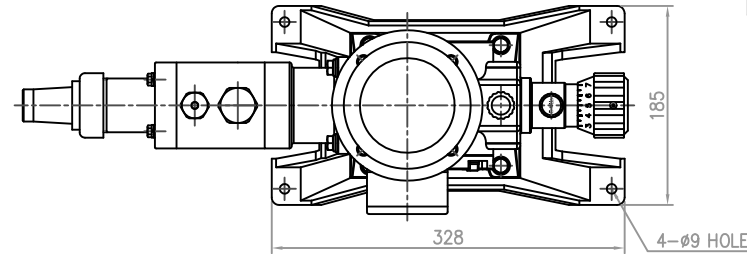
**Note**  
 1. Model : JSRV50  
 2. Material : PP / PVdF / PTFE  
 3. Connection : Hose  
 4. Drain valve : Not installed

이 도면은 (주)이화정량펌프의 기술 자산이므로 불법 유출시 관계법과 회사 규정에 의해 처벌 됩니다.-N

Projection		Trigonometry		Drawing Name	DIMENSIONAL OUTLINE
Scale	1 / 5	Unit	mm		
Drawn by	Designed by	Checked by	Approved by	Application	JSRV50PCH
2005.6.30				Drawing Number	H0007E3005

Sym.	Description	Rev. No.	Date	Confirmed by
△				
△				
△				
△				

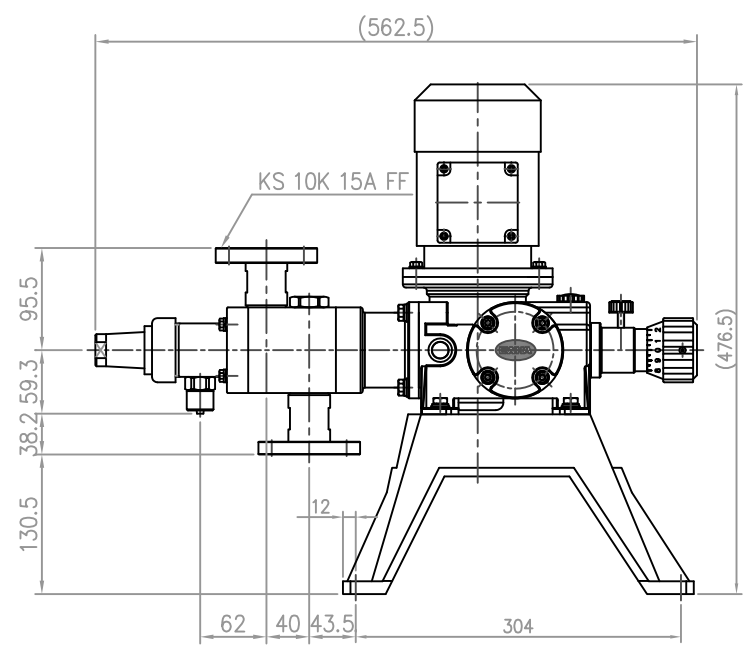
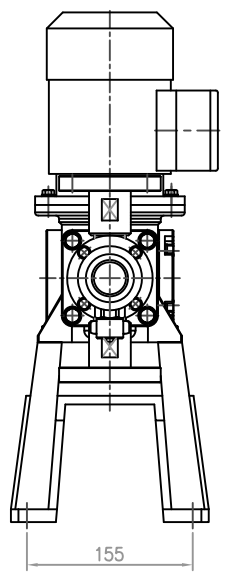
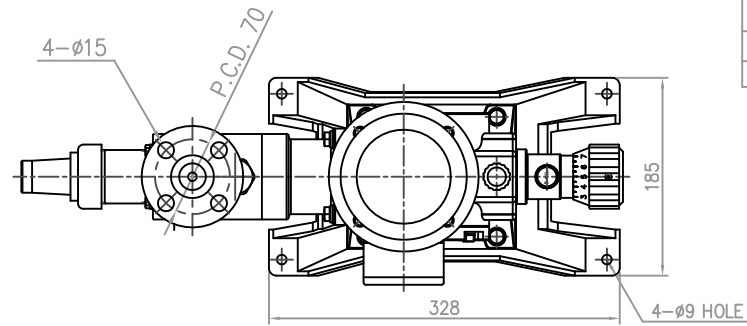
A	No.	Parts No.	Parts Name	Material	Spec.	Weight	Remark



**Note**  
 1. Model : JSRV50  
 2. Material : PP  
 3. Connection : Hose  
 4. Drain valve : Installed

이 도면은 (주)이화정량펌프의 기술  
 자산이므로 불법 유출시 관계법과  
 회사 규정에 의해 처벌 됩니다.-N

Projection	Trigonometry		Drawing Name	DIMENSIONAL OUTLINE
Scale	1 / 5	Unit mm		
Drawn by	Designed by	Checked by	Approved by	Application
2005.6.30				JSRV50PCHD
				Drawing Number
				H0007E3006

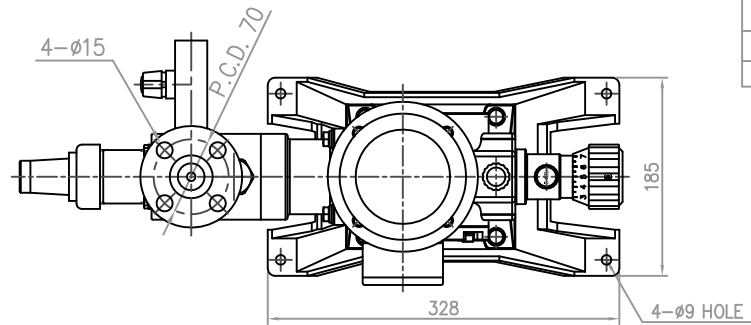


JSRV50PCF		Sym.	Description	Rev. No.	Date	Confirmed by	
		△					
		△					
		△					
		△					
A	No.	Parts No.	Parts Name	Material	Spec.	Weight	Remark

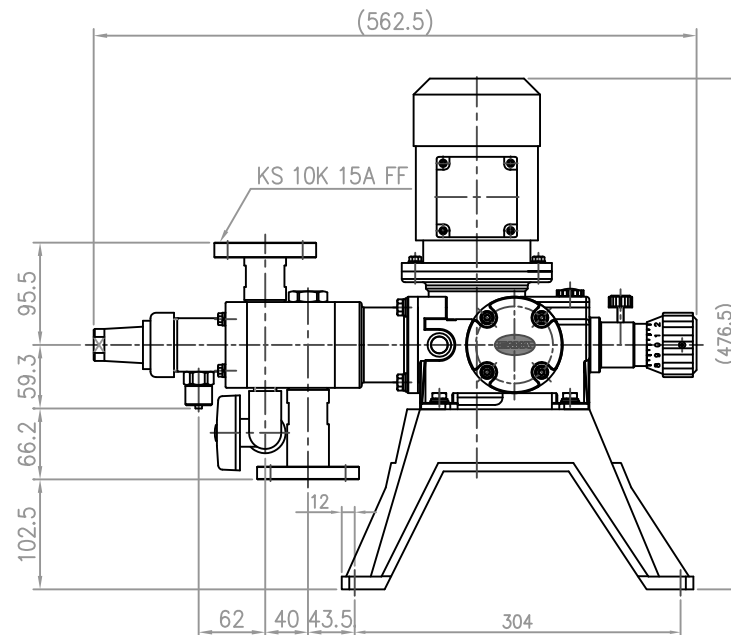
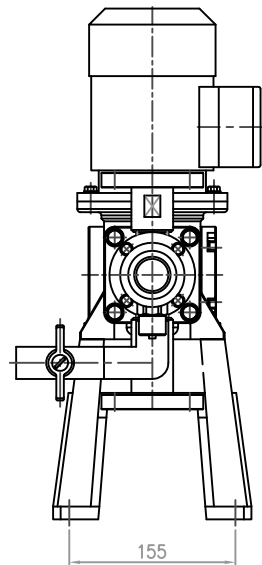
**Note**  
 1. Model : JSRV50  
 2. Material : PP / PVdF / PTFE  
 3. Connection : Hose  
 4. Drain valve : Installed

이 도면은 (주)이화정량펌프의 기술  
 자산이므로 불법 유출시 관계법과  
 회사 규정에 의해 처벌 됩니다.-N

Projection		Trigonometry		Drawing Name	DIMENSIONAL OUTLINE
Scale	1 / 5	Unit	mm		
Drawn by	Designed by	Checked by	Approved by	Application	JSRV50PCF
2005.6.30				Drawing Number	H0007E3007



Sym.	Description	Rev. No.	Date	Confirmed by			
△							
△							
△							
△							
A	No.	Parts No.	Parts Name	Material	Spec.	Weight	Remark



**Note**

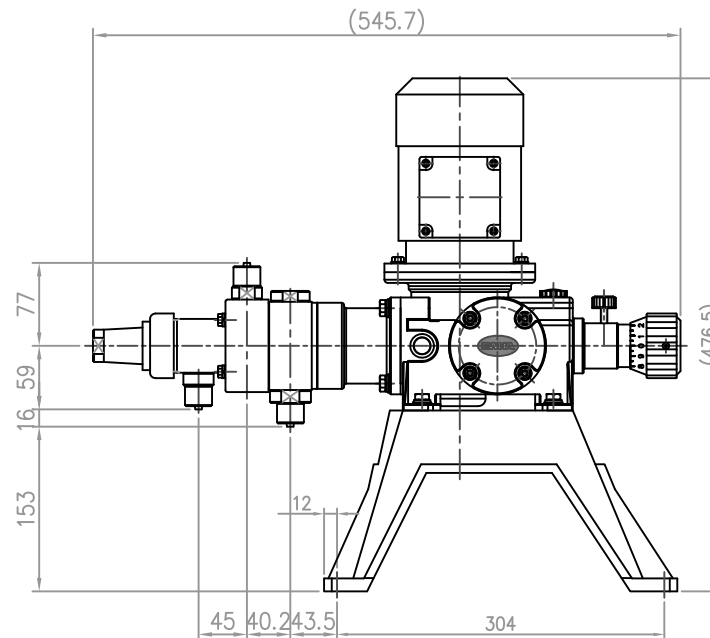
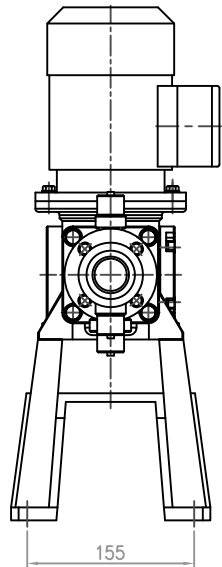
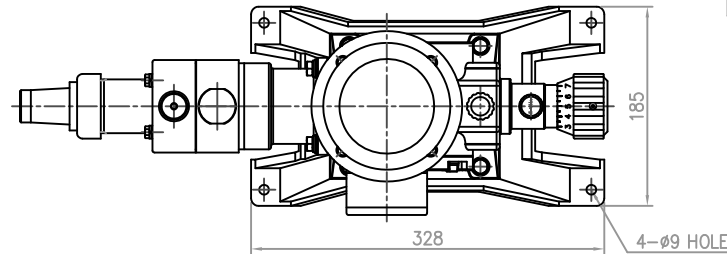
1. Model : JSRV50
2. Material : PP
3. Connection : Hose
4. Drain valve : Installed

이 도면은 (주)이화정량펌프의 기술  
자산이므로 불법 유출시 관계법과  
회사 규정에 의해 처벌 됩니다.-N

Projection	Trigonometry		Drawing Name	DIMENSIONAL OUTLINE
Scale	1 / 5	Unit	mm	
Drawn by	Designed by	Checked by	Approved by	Application
2005.6.30				JSRV50PCFD-15A FF
				Drawing Number
				H0007E3008

Sym.	Description	Rev. No.	Date	Confirmed by
△				
△				
△				
△				

A	No.	Parts No.	Parts Name	Material	Spec.	Weight	Remark



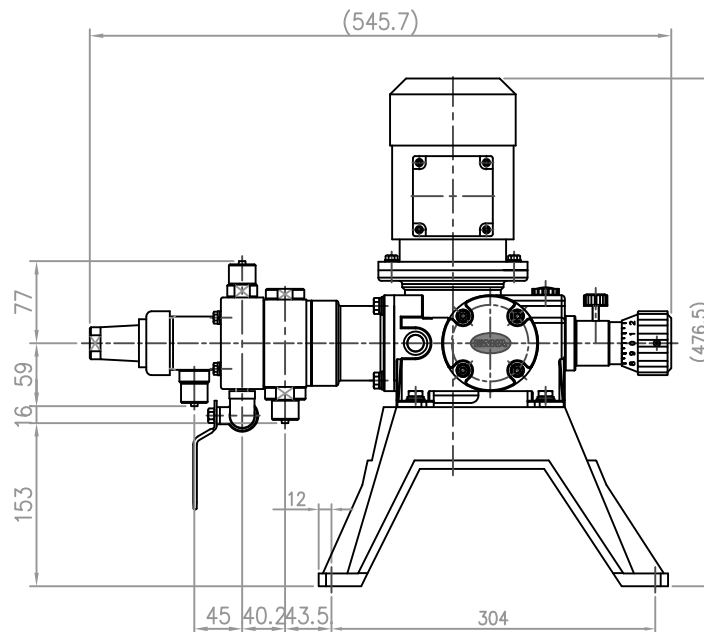
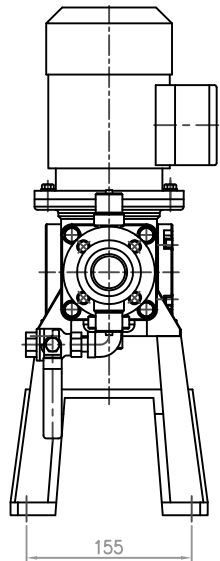
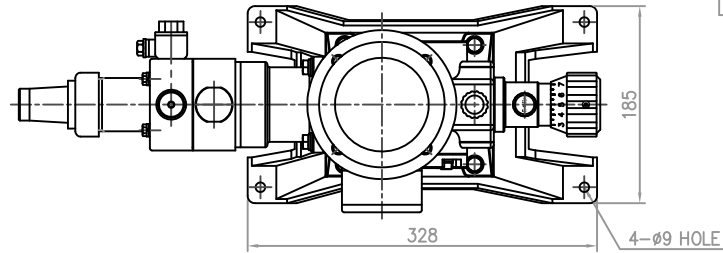
**Note**

1. Model : JSRV50
2. Material : Stainless steel
3. Connection : Hose
4. Drain valve : Not installed

이 도면은 (주)이화정량펌프의 기술  
재산이므로 불법 유출시 관계법과  
회사 규정에 의해 처벌 됩니다.-N

Projection		Trigonometry		Drawing Name	DIMENSIONAL OUTLINE
Scale	1 / 5	Unit	mm		
Drawn by	Designed by	Checked by	Approved by	Application	JSRV50S4S4H
2005.6.30				Drawing Number	H0008E3005

JSRV50S4S4HD	Sym.	Description	Rev. No.	Date	Confirmed by		
	△						
	△						
	△						
A	No.	Parts No.	Parts Name	Material	Spec.	Weight	Remark

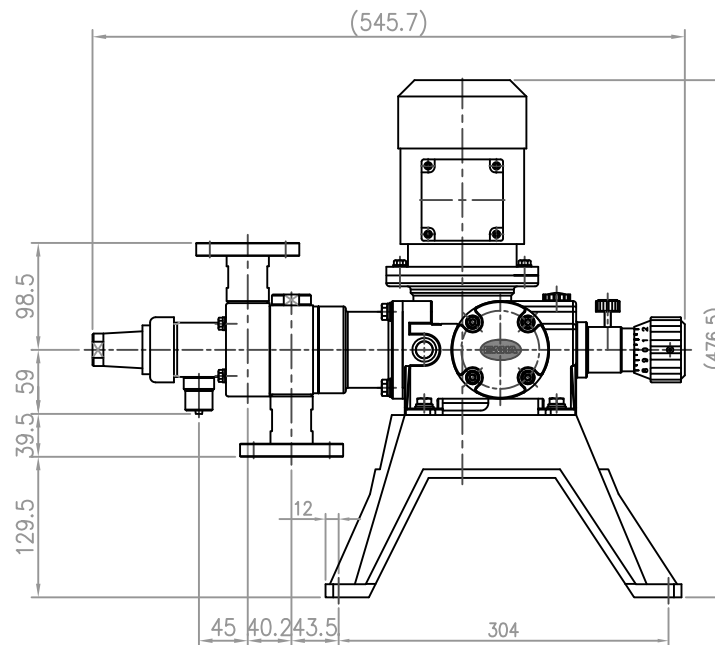
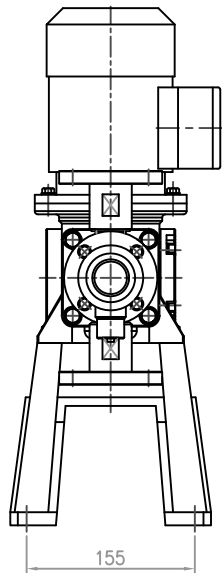
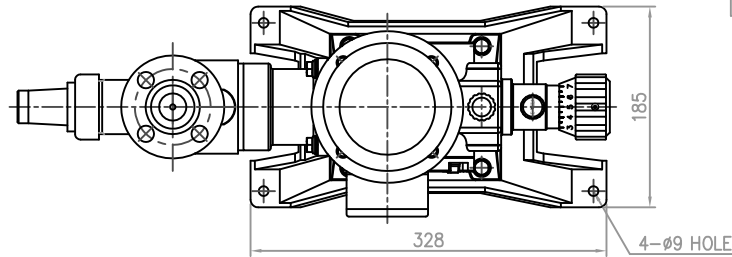


**Note**  
 1. Model : JSRV50  
 2. Material : Stainless steel  
 3. Connection : Hose  
 4. Drain valve : Installed

이 도면은 (주)이화정량펌프의 기술  
 자산이므로 불법 유출시 관계법과  
 회사 규정에 의해 처벌 됩니다. -N

Projection		Trigonometry		Drawing Name	DIMENSIONAL OUTLINE
Scale	1 / 5	Unit	mm		
Drawn by	Designed by	Checked by	Approved by	Application	JSRV50S4S4HD
2005.6.30				Drawing Number	H0008E3006

JSRV25S4S4F		Sym.	Description	Rev. No.	Date	Confirmed by	
		△					
		△					
		△					
		△					
A	No.	Parts No.	Parts Name	Material	Spec.	Weight	Remark

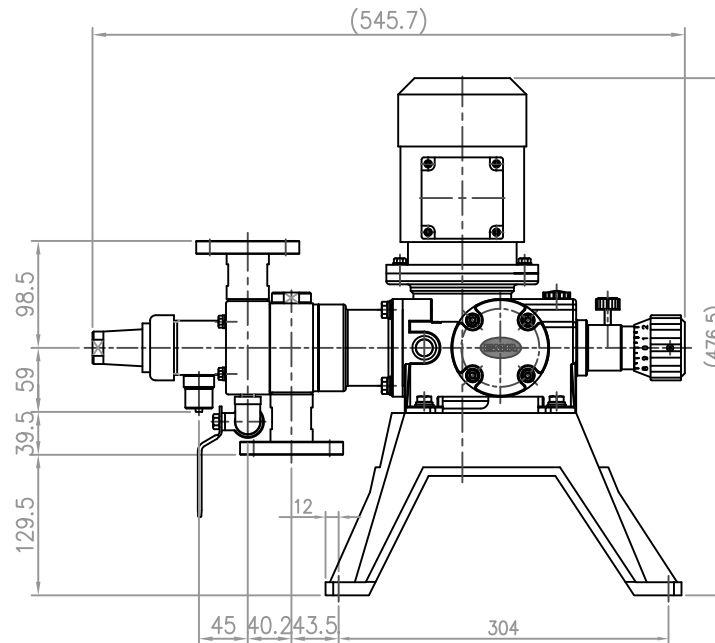
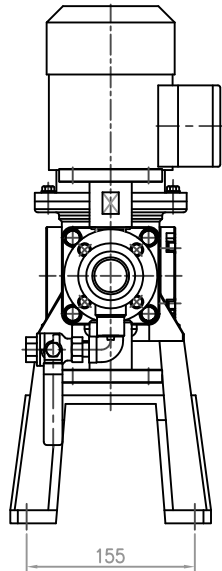
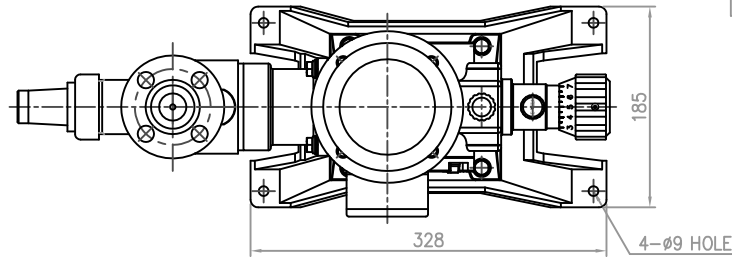


**Note**  
 1. Model : JSRV50  
 2. Material : Stainless steel  
 3. Connection : Flange  
 4. Drain valve : Not installed

이 도면은 (주)이화정량펌프의 기술  
 재산이므로 불법 유출시 관계법과  
 회사 규정에 의해 처벌 됩니다. -N

Projection		Trigonometry		Drawing Name	PUMP ASSEMBLY-DIM
Scale	1 / 5	Unit	mm		
Drawn by	Designed by	Checked by	Approved by	Application	JSRV25S4S4F-KS 10K 15A FF
2005.6.30				Drawing Number	H1029E3003

JSRV25S4S4FD		Sym.	Description	Rev. No.	Date	Confirmed by	
		△					
		△					
		△					
		△					
A	No.	Parts No.	Parts Name	Material	Spec.	Weight	Remark



**Note**  
 1. Model : JSRV50  
 2. Material : Stainless steel  
 3. Connection : Flange  
 4. Drain valve : Installed

이 도면은 (주)이화정량펌프의 기술  
 재산이므로 불법 유출시 관계법과  
 회사 규정에 의해 처벌 됩니다.-N

Projection		Trigonometry		Drawing Name	PUMP ASSEMBLY-DIM
Scale	1 / 5	Unit	mm	Drawing Name	
Drawn by	Designed by	Checked by	Approved by	Application	JSRV25S4S4FD-KS 10K 15A FF
2005.6.30				Drawing Number	H1029E3004