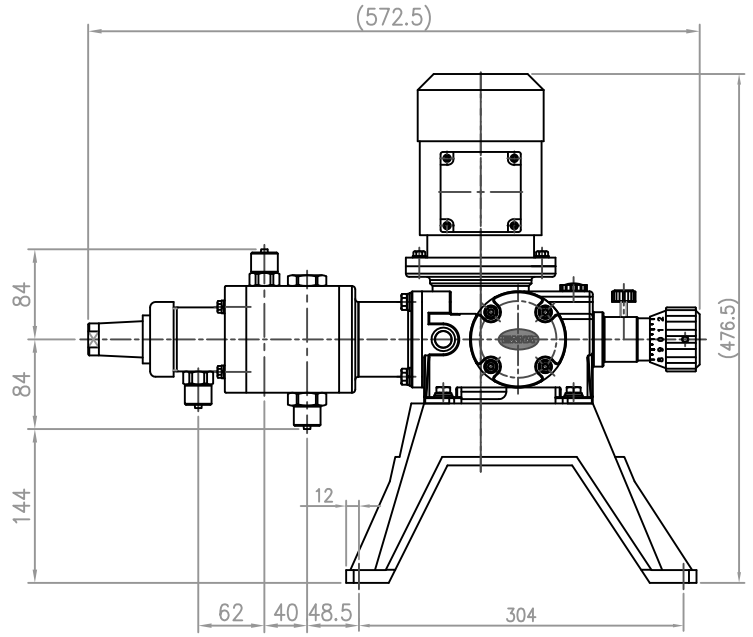
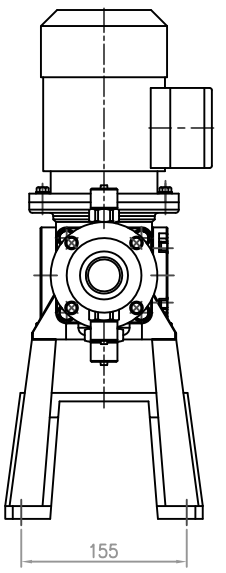
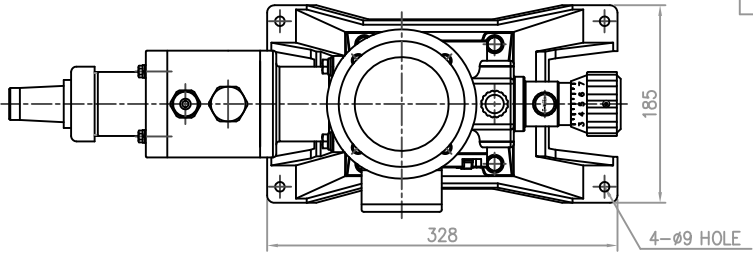


Sym.	Description	Rev. No.	Date	Confirmed by			
△							
△							
△							
△							
A	No.	Parts No.	Parts Name	Material	Spec.	Weight	Remark

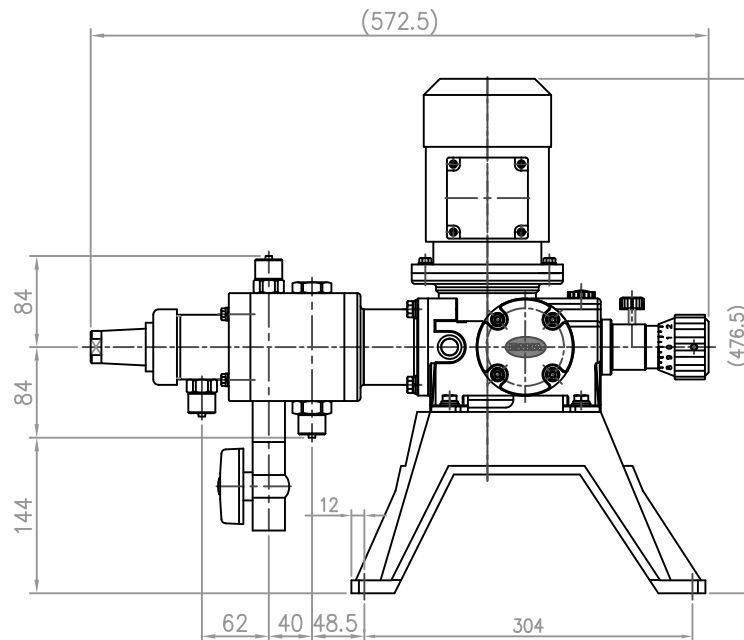
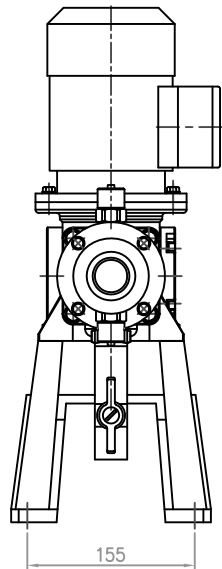
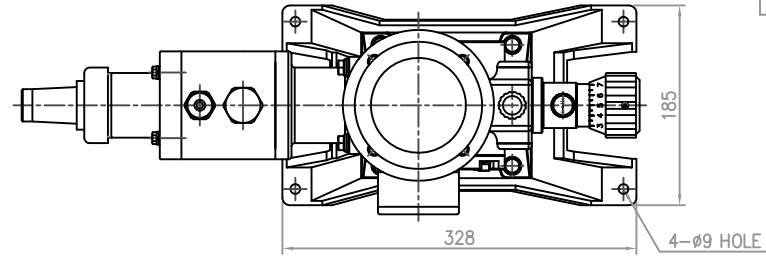


**Note**  
 1. Model : JSRV500  
 2. Material : PP / PVdF / PTFE  
 3. Connection : Hose  
 4. Drain valve : Not installed

이 도면은 (주)이화정량펌프의 기술  
 재산이므로 불법 유출시 관계법과  
 회사 규정에 의해 처벌 됩니다.-N

Projection	Trigonometry		Drawing Name	DIMENSIONAL OUTLINE
Scale	1 / 5	Unit mm		
Drawn by	Designed by	Checked by	Approved by	Application
2005.6.30				JSRV500PCH
				Drawing Number
				H0007E3017

JSRV500PCHD	Sym.	Description	Rev. No.	Date	Confirmed by		
	△						
	△						
	△						
A	No.	Parts No.	Parts Name	Material	Spec.	Weight	Remark

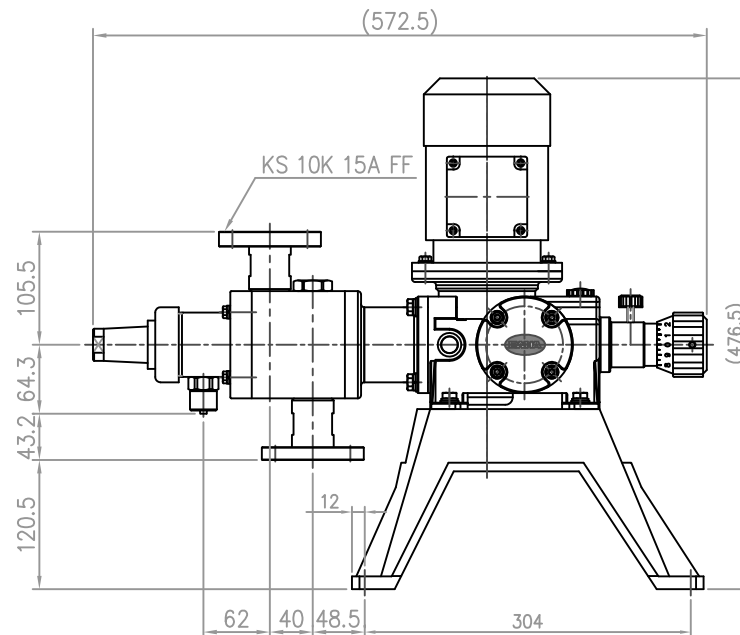
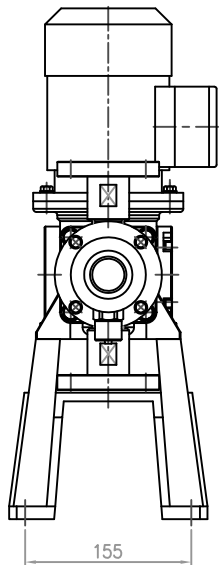
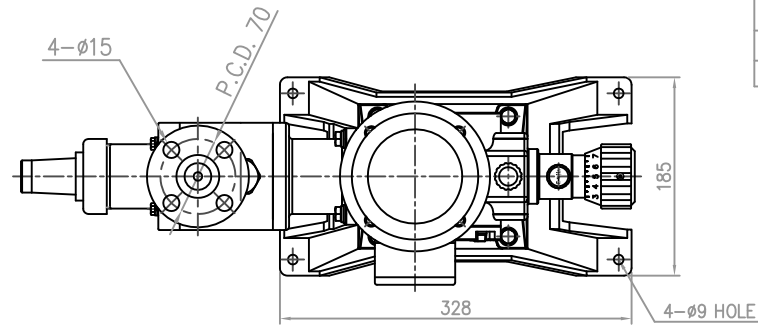


**Note**  
 1. Model : JSRV500  
 2. Material : PP  
 3. Connection : Hose  
 4. Drain valve : Installed

이 도면은 (주)이화정량펌프의 기술  
 자산이므로 불법 유출시 관계법과  
 회사 규정에 의해 처벌 됩니다.-N

Projection	Trigonometry		Drawing Name	DIMENSIONAL OUTLINE
Scale	1 / 5	Unit mm		
Drawn by	Designed by	Checked by	Approved by	Application
2005.6.30				JSRV500PCHD
				Drawing Number
				H0007E3018

JSRV500PCF		Sym.	Description	Rev. No.	Date	Confirmed by	
		△					
		△					
		△					
		△					
A	No.	Parts No.	Parts Name	Material	Spec.	Weight	Remark



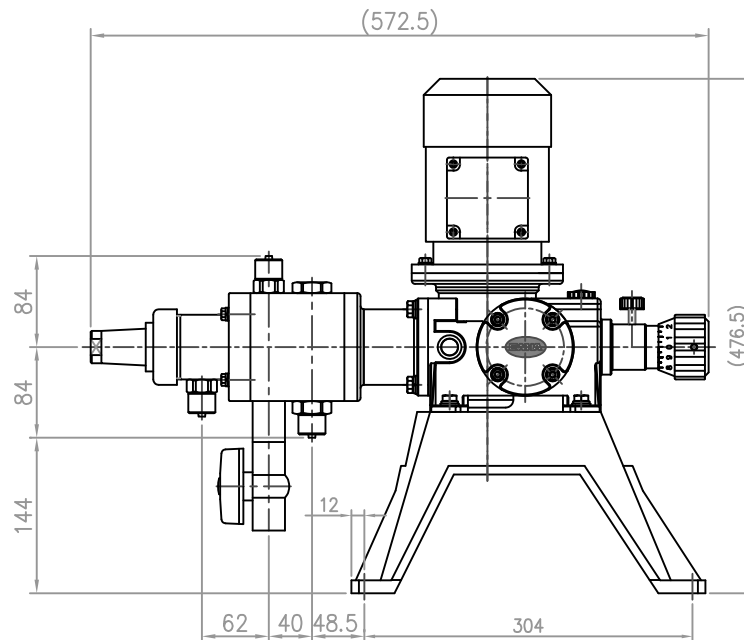
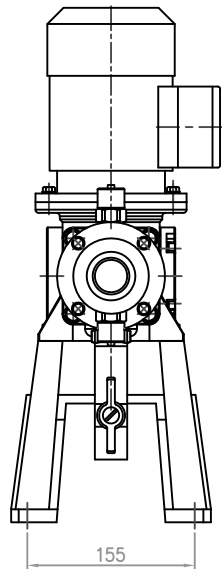
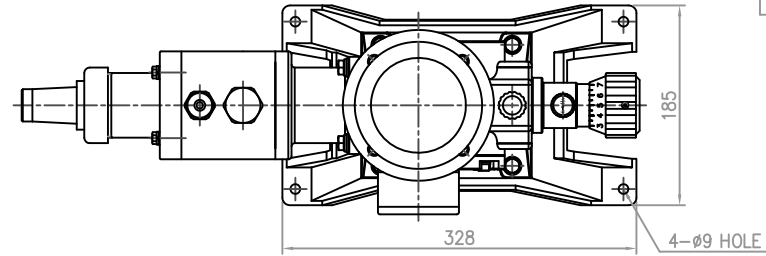
**Note**

1. Model : JSRV500
2. Material : PP / PVdF / PTFE
3. Connection : Hose
4. Drain valve : Not installed

이 도면은 (주)이화정량펌프의 기술  
자산이므로 불법 유출시 관계법과  
회사 규정에 의해 처벌 됩니다.-N

Projection		Trigonometry		Drawing Name	DIMENSIONAL OUTLINE
Scale	1 / 5	Unit	mm		
Drawn by	Designed by	Checked by	Approved by	Application	JSRV500PCF-15A FF
2005.6.30				Drawing Number	H0007E3019

JSRV500PCHD	Sym.	Description	Rev. No.	Date	Confirmed by		
	△						
	△						
	△						
A	No.	Parts No.	Parts Name	Material	Spec.	Weight	Remark

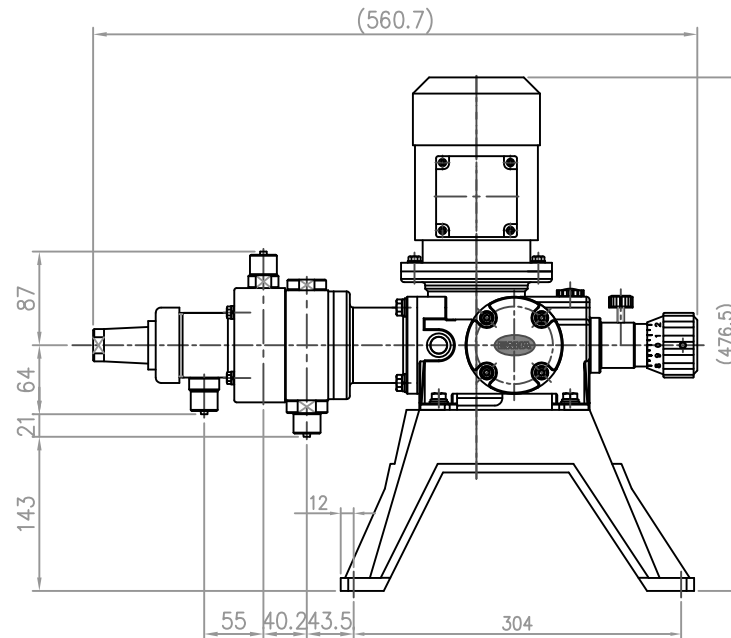
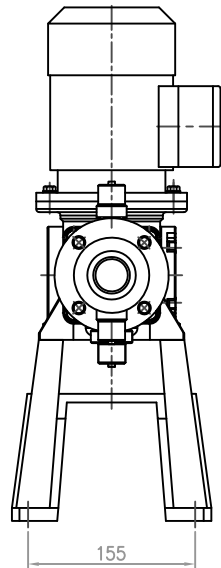
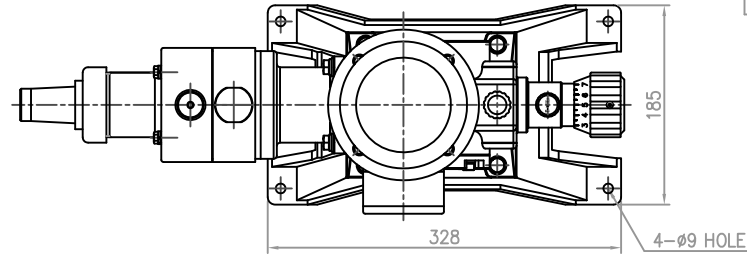


- Note**
1. Model : JSRV500
  2. Material : PP
  3. Connection : Hose
  4. Drain valve : Installed

이 도면은 (주)이화정량펌프의 기술 자산이므로 불법 유출시 관계법과 회사 규정에 의해 처벌 됩니다.-N

Projection	Trigonometry		Drawing Name	DIMENSIONAL OUTLINE
Scale	1 / 5	Unit mm		
Drawn by	Designed by	Checked by	Approved by	Application
2005.6.30				JSRV500PCHD
				Drawing Number
				H0007E3018

JSRV500S4S4H		Sym.	Description	Rev. No.	Date	Confirmed by	
		△					
		△					
		△					
		△					
A	No.	Parts No.	Parts Name	Material	Spec.	Weight	Remark



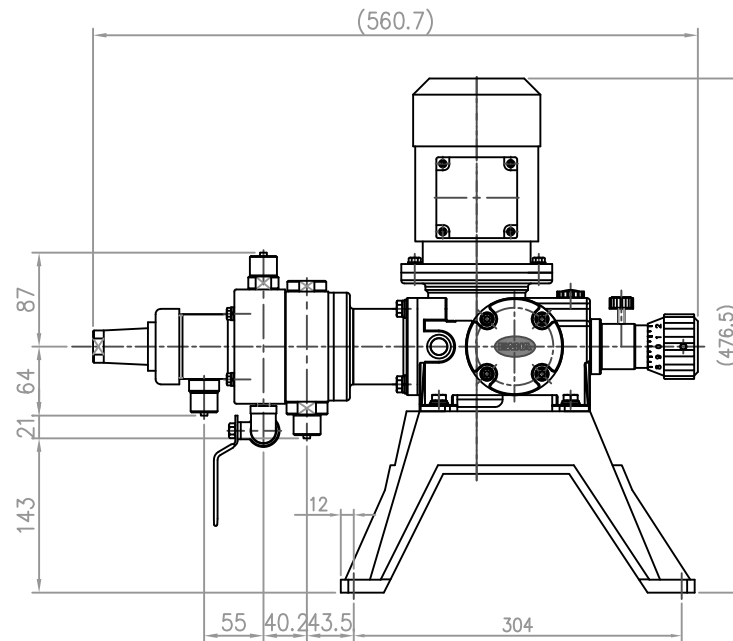
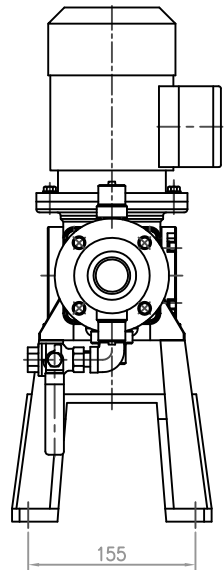
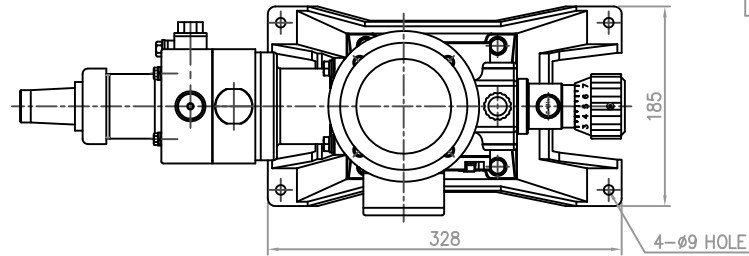
**Note**

1. Model : JSRV500
2. Material : Stainless steel
3. Connection : Hose
4. Drain valve : Not installed

이 도면은 (주)이화정량펌프의 기술 자산이므로 불법 유출시 관계법과 회사 규정에 의해 처벌 됩니다.-N

Projection		Trigonometry		Drawing Name	DIMENSIONAL OUTLINE
Scale	1 / 5	Unit	mm		
Drawn by	Designed by	Checked by	Approved by	Application	JSRV500S4S4H
2005.6.30				Drawing Number	H0008E3017

JSRV500S4S4HD	Sym.	Description	Rev. No.	Date	Confirmed by		
	△						
	△						
	△						
A	No.	Parts No.	Parts Name	Material	Spec.	Weight	Remark

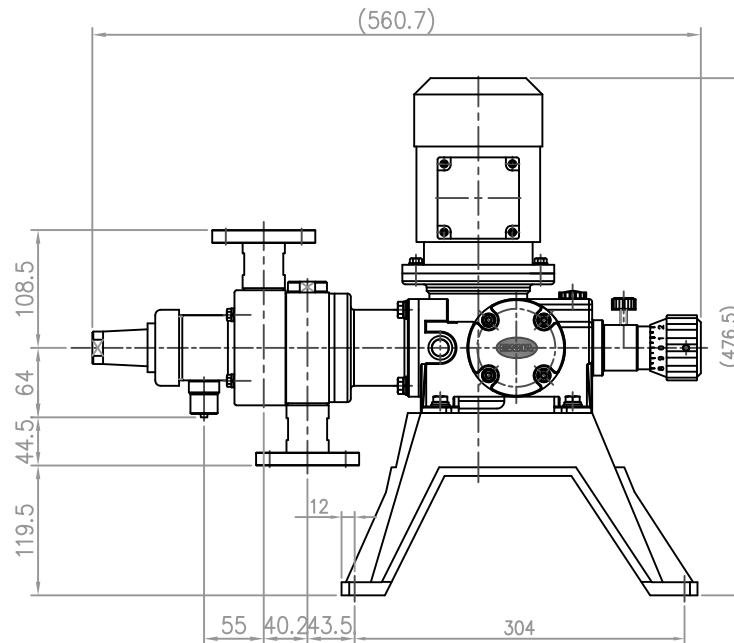
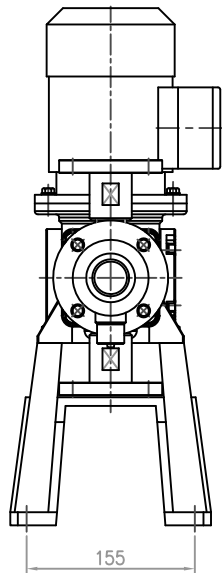
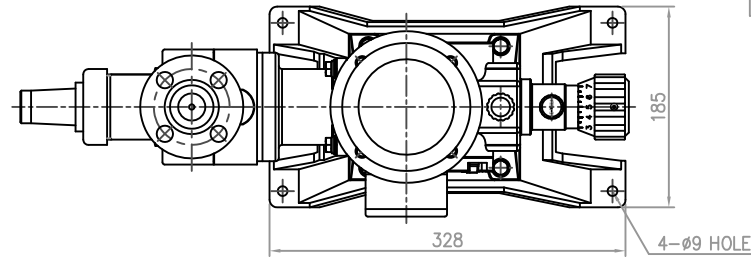


**Note**  
 1. Model : JSRV500  
 2. Material : Stainless steel  
 3. Connection : Hose  
 4. Drain valve : Installed

이 도면은 (주)이화정량펌프의 기술  
 자산이므로 불법 유출시 관계법과  
 회사 규정에 의해 처벌 됩니다.-N

Projection	Trigonometry		Drawing Name	DIMENSIONAL OUTLINE
Scale 1 / 5	Unit mm			
Drawn by 2005.6.30	Designed by	Checked by	Approved by	Application JSRV500S4S4HD
				Drawing Number H0008E3018

JSRV500S4S4F		Sym.	Description	Rev. No.	Date	Confirmed by	
		△					
		△					
		△					
		△					
A	No.	Parts No.	Parts Name	Material	Spec.	Weight	Remark

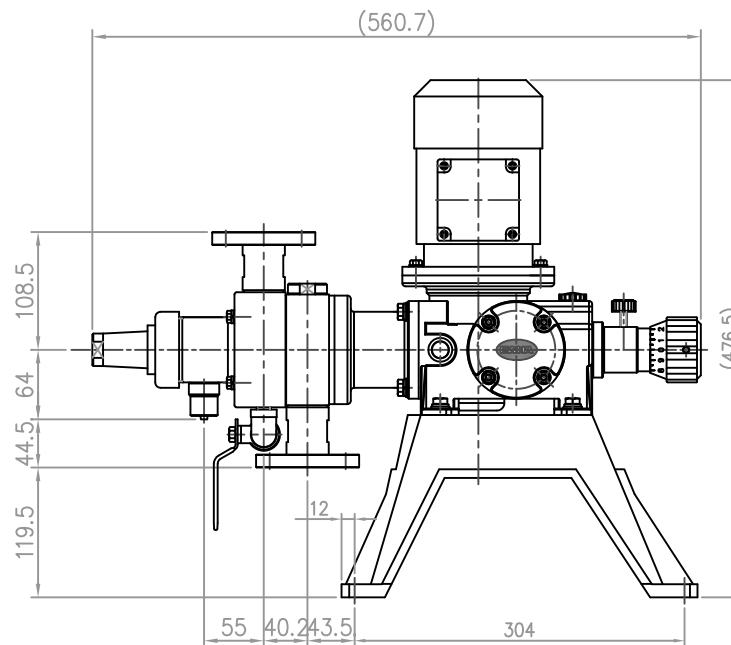
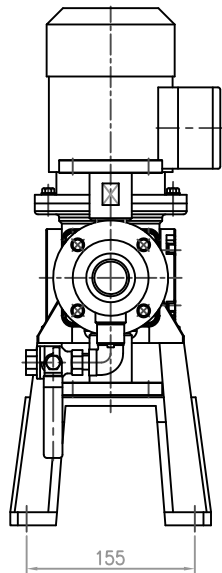
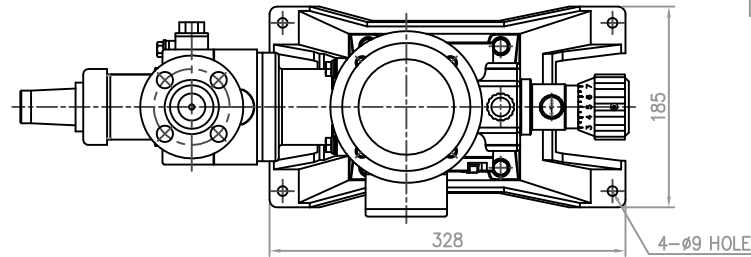


**Note**  
 1. Model : JSRV500  
 2. Material : Stainless steel  
 3. Connection : Flange  
 4. Drain valve : Not installed

이 도면은 (주)이화정량펌프의 기술  
 자산이므로 불법 유출시 관계법과  
 회사 규정에 의해 처벌 됩니다. -N

Projection		Trigonometry		Drawing Name	PUMP ASSEMBLY-DIM
Scale	1 / 5	Unit	mm		
Drawn by	Designed by	Checked by	Approved by	Application	JSRV500S4S4F-KS 10K 15A FF
2005.6.30				Drawing Number	H1029E3019

JSRV500S4S4FD		Sym.	Description	Rev. No.	Date	Confirmed by	
		△					
		△					
		△					
		△					
A	No.	Parts No.	Parts Name	Material	Spec.	Weight	Remark



**Note**  
 1. Model : JSRV500  
 2. Material : Stainless steel  
 3. Connection : Flange  
 4. Drain valve : Installed

이 도면은 (주)이화정량펌프의 기술  
 자산이므로 불법 유출시 관계법과  
 회사 규정에 의해 처벌 됩니다. -N

Projection		Trigonometry		Drawing Name	PUMP ASSEMBLY-DIM
Scale	1 / 5	Unit	mm		
Drawn by	Designed by	Checked by	Approved by	Application	JSRV500S4S4FD-KS 10K 15A FF
2005.6.30				Drawing Number	H1029E3020