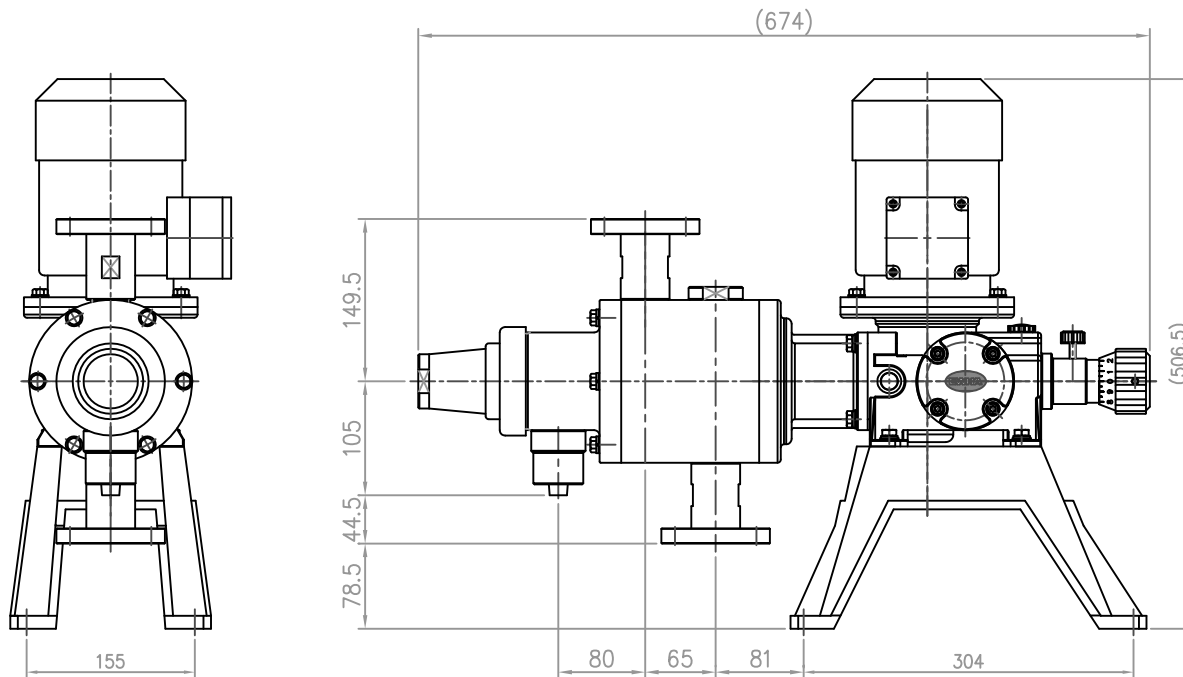
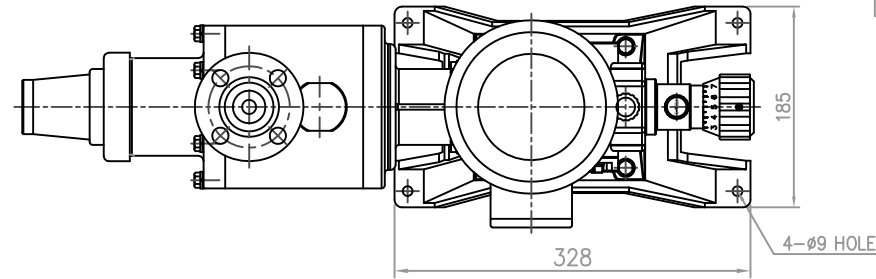


JSRV5000PCF		Sym.	Description	Rev. No.	Date	Confirmed by	
		△					
		△					
		△					
		△					
A	No.	Parts No.	Parts Name	Material	Spec.	Weight	Remark

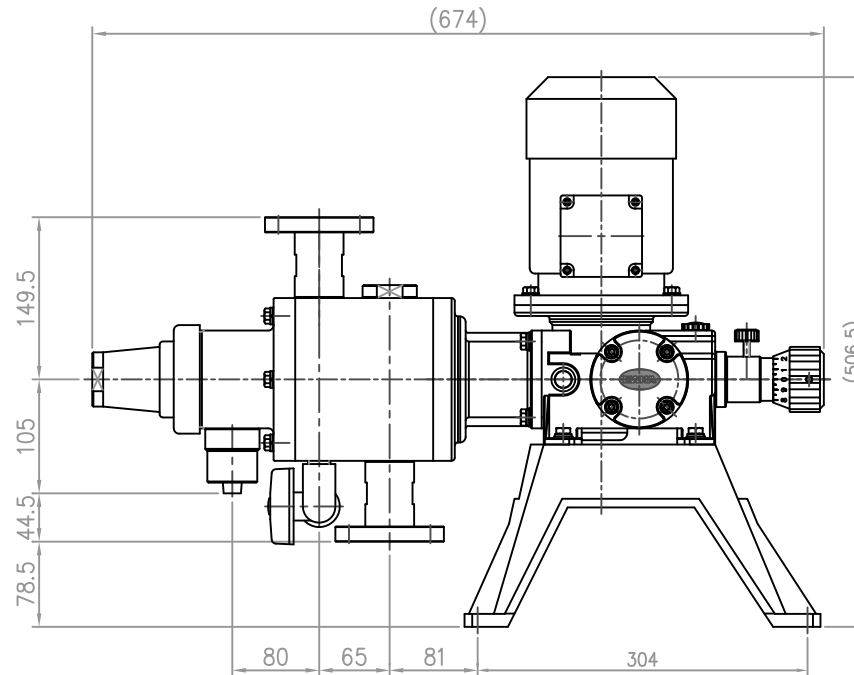
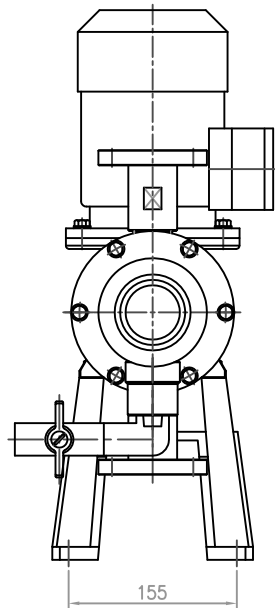
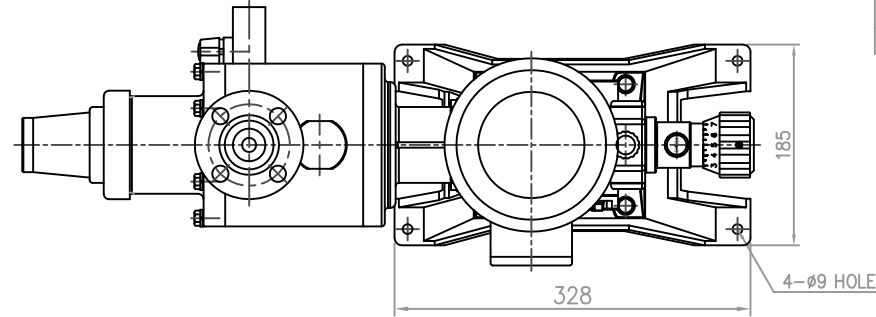


**Note**  
 1. Model : JSRV5000  
 2. Material : PP / PVdF / PTFE  
 3. Connection : Flange  
 4. Drain valve : Not installed

이 도면은 (주)이화정량펌프의 기술  
 자산이므로 불법 유출시 관계법과  
 회사 규정에 의해 처벌 됩니다. -N

Projection		Trigonometry		Drawing Name	PUMP ASSEMBLY-DIM
Scale	1 / 5	Unit	mm		
Drawn by	Designed by	Checked by	Approved by	Application	JSRV5000PCF-KS 10K 20A FF
2005.6.30				Drawing Number	H1028E3039

JSRV5000PCFD	Sym.	Description	Rev. No.	Date	Confirmed by		
	△						
	△						
	△						
A	No.	Parts No.	Parts Name	Material	Spec.	Weight	Remark



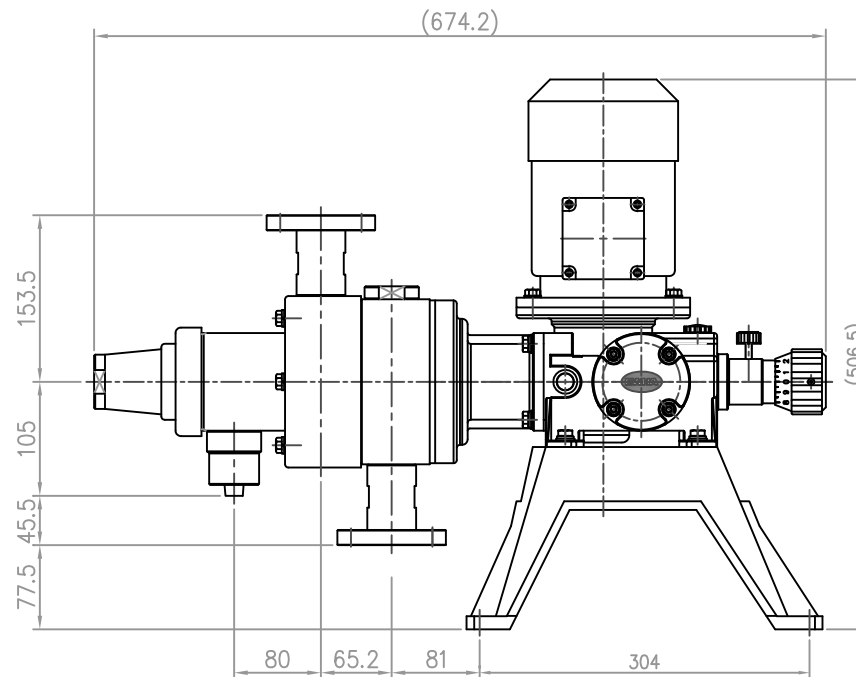
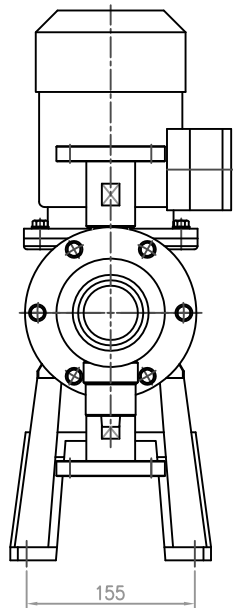
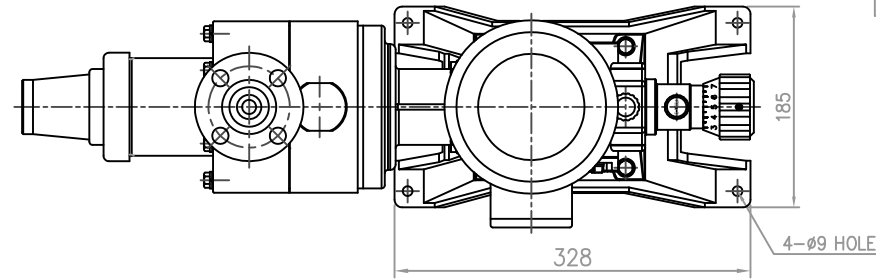
**Note**  
 1. Model : JSRV5000  
 2. Material : PP  
 3. Connection : Flange  
 4. Drain valve : Installed

이 도면은 (주)이화정량펌프의 기술  
 자산이므로 불법 유출시 관계법과  
 회사 규정에 의해 처벌 됩니다. -N

Projection		Trigonometry		Drawing Name	PUMP ASSEMBLY-DIM
Scale	1 / 5	Unit	mm		
Drawn by	Designed by	Checked by	Approved by	Application	JSRV5000PCFD-KS 10K 20A FF
2005.6.30				Drawing Number	H1028E3040

Sym.	Description	Rev. No.	Date	Confirmed by
△				
△				
△				
△				

A	No.	Parts No.	Parts Name	Material	Spec.	Weight	Remark

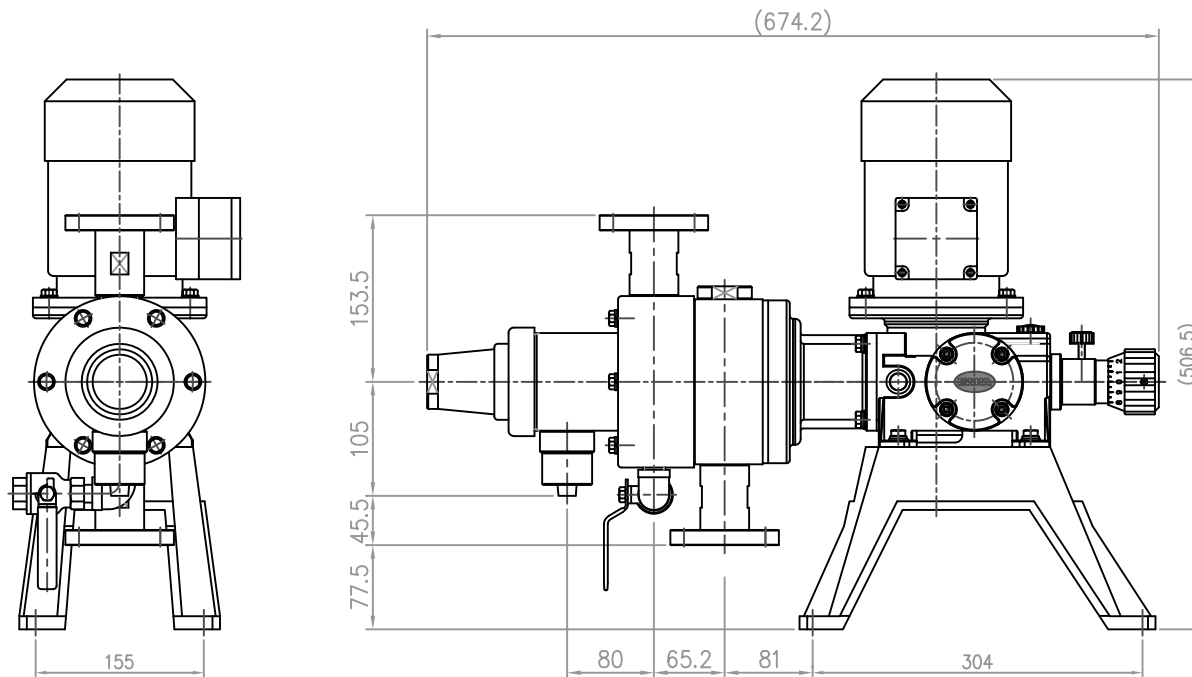
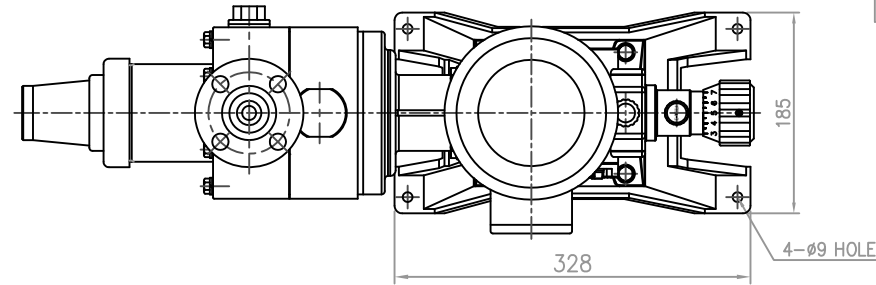


**Note**  
 1. Model : JSRV5000  
 2. Material : Stainless steel  
 3. Connection : Flange  
 4. Drain valve : Not installed

이 도면은 (주)이화정량펌프의 기술  
 자산이므로 불법 유출시 관계법과  
 회사 규정에 의해 처벌 됩니다. -N

Projection		Trigonometry		Drawing Name	PUMP ASSEMBLY-DIM
Scale	1 / 5	Unit	mm		
Drawn by	Designed by	Checked by	Approved by	Application	JSRV5000S4S4F-KS 10K 20A FF
2005.6.30				Drawing Number	H1029E3039

JSRV5000S4S4FD		Sym.	Description	Rev. No.	Date	Confirmed by	
		△					
		△					
		△					
		△					
A	No.	Parts No.	Parts Name	Material	Spec.	Weight	Remark



**Note**

1. Model : JSRV5000
2. Material : Stainless steel
3. Connection : Flange
4. Drain valve : Installed

이 도면은 (주)이화정량펌프의 기술  
자산이므로 불법 유출시 관계법과  
회사 규정에 의해 처벌 됩니다. -N

Projection		Trigonometry		Drawing Name	PUMP ASSEMBLY-DIM
Scale	1 / 5	Unit	mm		
Drawn by	Designed by	Checked by	Approved by	Application	JSRV5000S4S4FD-KS 10K 20A FF
2005.6.30				Drawing Number	H1029E3040