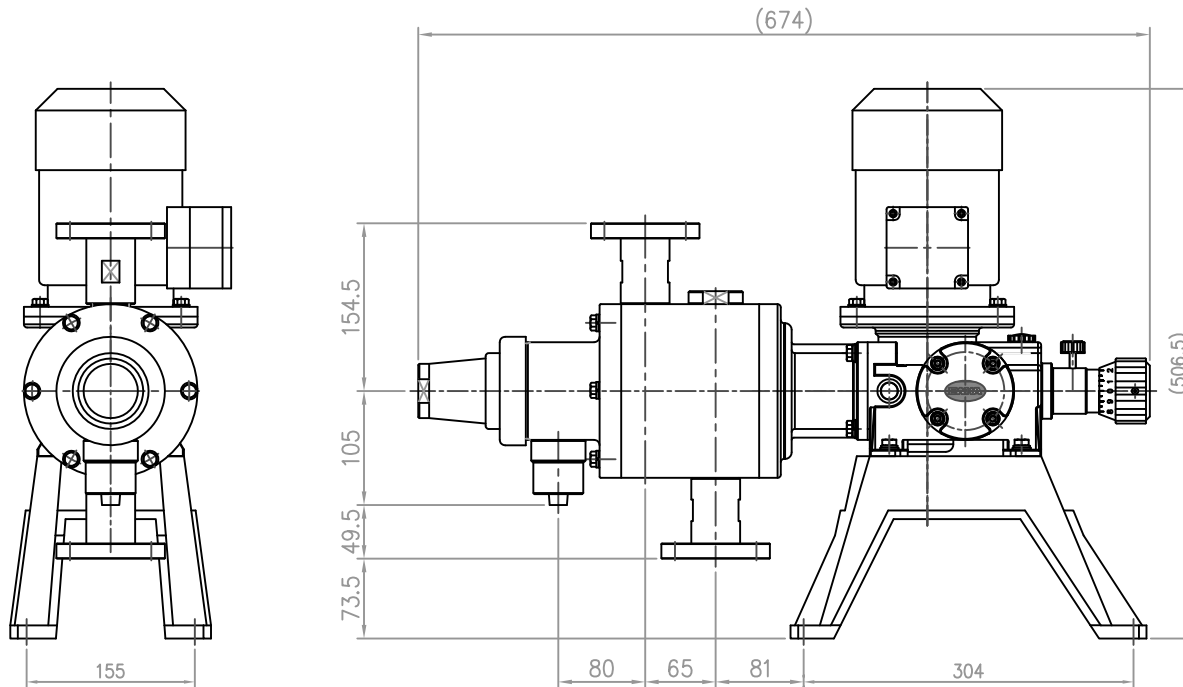
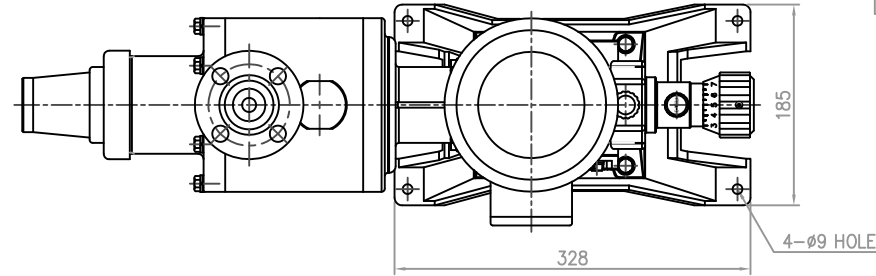


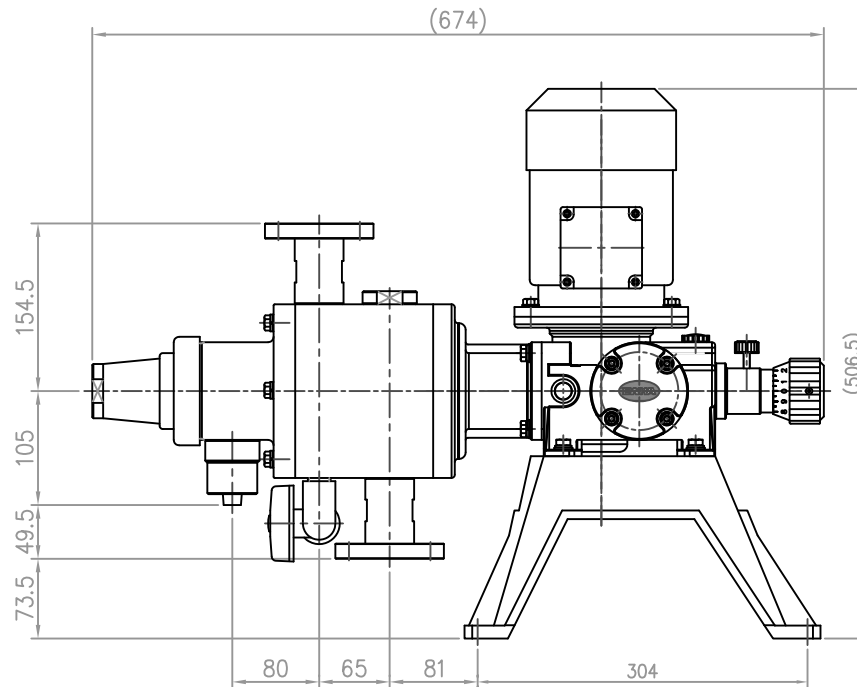
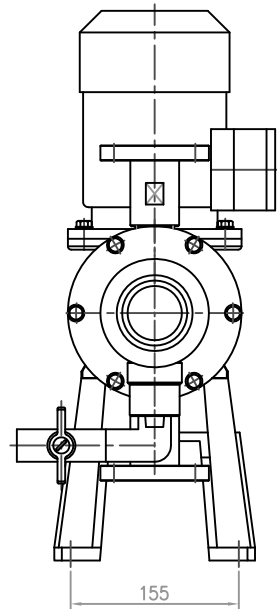
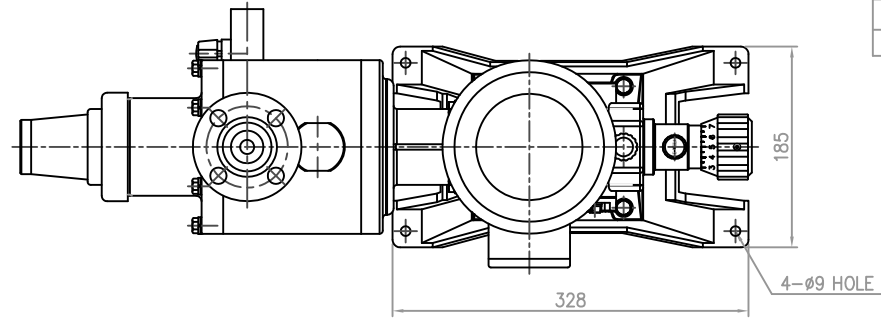
JSRV6000PCF		Sym.	Description	Rev. No.	Date	Confirmed by	
		△					
		△					
		△					
		△					
A	No.	Parts No.	Parts Name	Material	Spec.	Weight	Remark



Note
 1. Model : JSRV6000
 2. Material : PP / PVdF / PTFE
 3. Connection : Flange
 4. Drain valve : Not installed

이 도면은 (주)이화정량펌프의 기술
 자산이므로 불법 유출시 관계법과
 회사 규정에 의해 처벌 됩니다. -N

Projection		Trigonometry		Drawing Name	PUMP ASSEMBLY-DIM
Scale	1 / 5	Unit	mm		
Drawn by	Designed by	Checked by	Approved by	Application	JSRV6000PCF-KS 10K 20A FF
2005.6.30				Drawing Number	H1028E3043



JSRV6000PCFD	Sym.	Description	Rev. No.	Date	Confirmed by		
	△						
	△						
	△						
A	No.	Parts No.	Parts Name	Material	Spec.	Weight	Remark

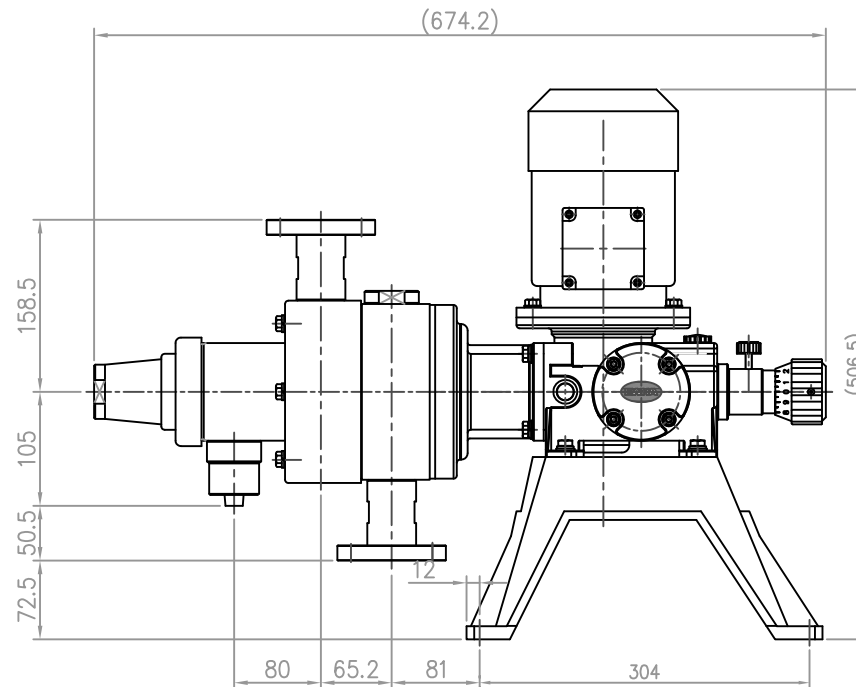
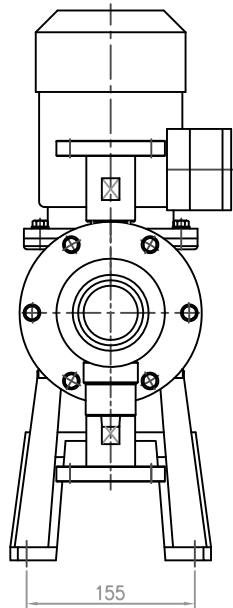
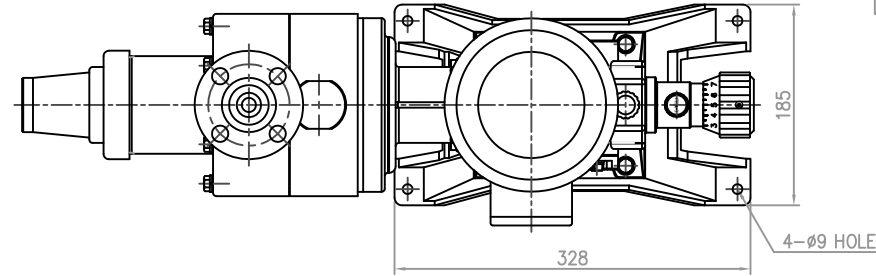
Note

1. Model : JSRV6000
2. Material : PP
3. Connection : Flange
4. Drain valve : Installed

이 도면은 (주)이화정량펌프의 기술
자산이므로 불법 유출시 관계법과
회사 규정에 의해 처벌 됩니다.-N

Projection		Trigonometry		Drawing Name	PUMP ASSEMBLY-DIM
Scale	1 / 5	Unit	mm		
Drawn by	Designed by	Checked by	Approved by	Application	JSRV6000PCFD-KS 10K 20A FF
2005.6.30				Drawing Number	H1028E3044

JSRV6000S4S4F		Sym.	Description	Rev. No.	Date	Confirmed by	
		△					
		△					
		△					
		△					
A	No.	Parts No.	Parts Name	Material	Spec.	Weight	Remark



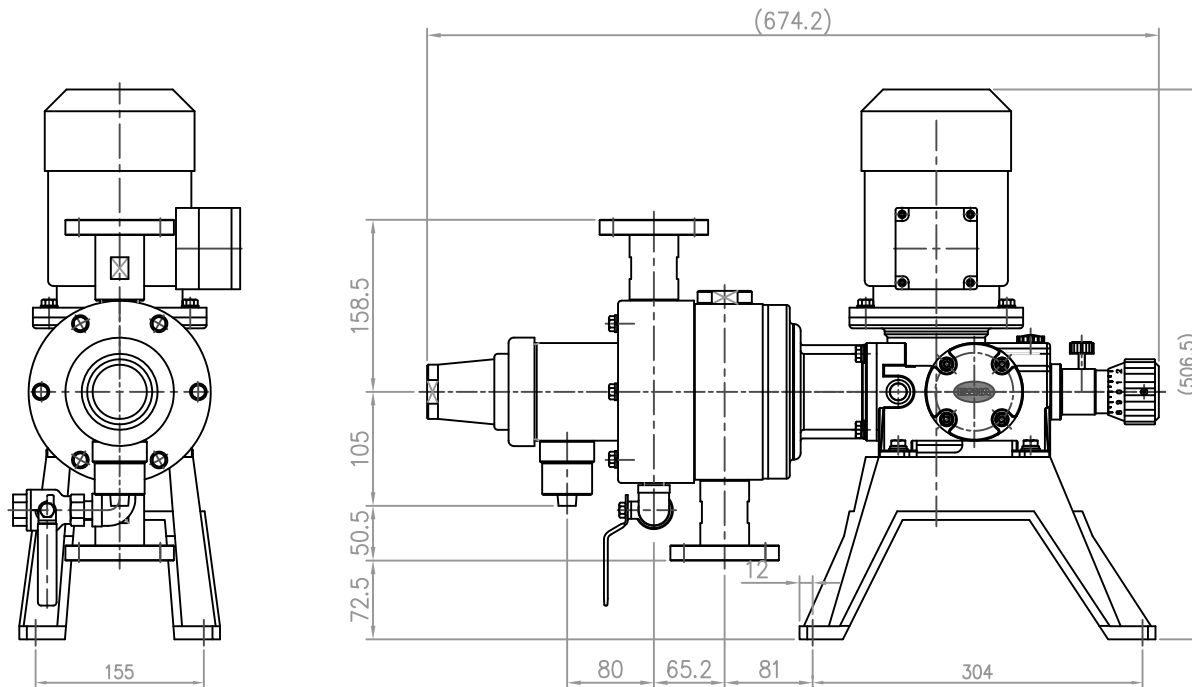
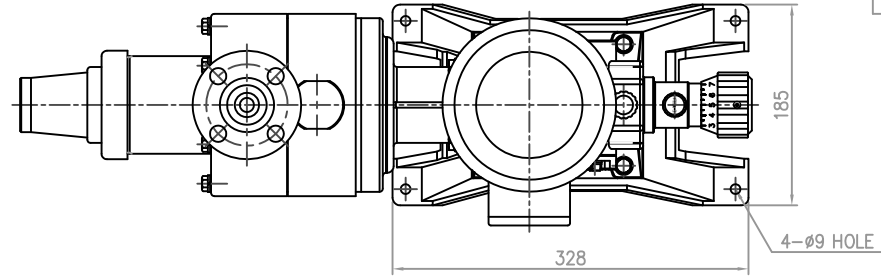
Note

1. Model : JSRV6000
2. Material : Stainless steel
3. Connection : Flange
4. Drain valve : Not installed

이 도면은 (주)이화정량펌프의 기술
자산이므로 불법 유출시 관계법과
회사 규정에 의해 처벌 됩니다.-N

Projection		Trigonometry		Drawing Name	PUMP ASSEMBLY-DIM
Scale	1 / 5	Unit	mm		
Drawn by	Designed by	Checked by	Approved by	Application	JSRV6000S4S4F-KS 10K 20A FF
2005.6.30				Drawing Number	H1029E3043

JSRV6000S4S4FD	Sym.	Description	Rev. No.	Date	Confirmed by		
	△						
	△						
	△						
A	No.	Parts No.	Parts Name	Material	Spec.	Weight	Remark



Note

1. Model : JSRV6000
2. Material : Stainless steel
3. Connection : Flange
4. Drain valve : Installed

이 도면은 (주)이화정량펌프의 기술
자산이므로 불법 유출시 관계법과
회사 규정에 의해 처벌 됩니다.-N

Projection		Trigonometry		Drawing Name	PUMP ASSEMBLY-DIM
Scale	1 / 5	Unit	mm		
Drawn by	Designed by	Checked by	Approved by	Application	JSRV6000S4S4FD-KS 10K 20A FF
2005.6.30				Drawing Number	H1029E3044